



**Moss Motors, Ltd.**  
440 Rutherford Street  
Goleta, CA 93117

PRESORTED  
STANDARD  
U.S. POSTAGE  
**PAID**  
MOSS MOTORS,  
LTD.

MOSS  
FALL \ WINTER 2018



**Save the date!**

***The Party Planning  
has Begun!***



The 2019 Moss Motorfest  
will be on **June 8, 2019.**

*Don't miss one of the biggest events of the year!*

JAGUAR XK120-140-150, XJ6-12, XJS, E-TYPE

JAG-118



JAG-118

JAGUAR

**XK120-140-150, XJ6-12, XJS, E-TYPE**



***Make it Your Own!***

With Our Deep Selection of Parts & Accessories

**SINCE 1948**

800-667-7872 | MossMotors.com

# Jaguar Restoration Parts Catalog

## Contents

### XK 120, 140, 150

Engine	2-4
Carburetors	5
Clutch/Gearbox	6
Radiator, Gas Tank, Exhaust	7
Suspension/Steering	8-9
Brakes	10
Electrical	11-13
Body Fittings	14-16
Tops/Tonneau Covers	17



### E-Type

Filters, Gaskets, Engine	18-19
Gearbox/Transmission	19-20
Exhaust	20
Fuel system/Carburetors	20
Cooling System	21
Steering	21
Electrical	21-22
Suspension	22
Brakes	22-23
Road Wheels	23
Lamps	23
Body Fittings	23-24



### XJ6-XJ12

Engine, XJ6	26-28
Engine, XJ12	34
Cooling System, XJ6	29
XJ12	31
Heater, XJ6	30
XJ12	31
Suspension	32-33
Transmission	34-35
Differential	35
Exhaust	35-36
Fuel System	36
Belts	37
Air Conditioning	37
Steering	37
Emission Controls	37
Electrical	38-39
Brakes	39-40
Road Wheels	40
Body Fittings	40-41
Lamps	41



### XJS

Engine	42-43
Transmission, Differential	43
Exhaust	43
Fuel System	43
Cooling System	44
Air Conditioning	44
Steering	44
Electrical	44-45
Brakes	45, 48
Suspension	46-47
Body Fittings/Lamps	48



## About This Catalog

This catalog covers parts for U.S.-specification left hand drive cars. In producing this catalog, our primary goal was to publish a listing of Jaguar parts which was as accurate and informative as possible for the U.S. market. In doing this, we have made every effort to correctly identify and include every part we stock likely to be needed to repair, restore or maintain your car. Although some of the parts listed are not currently available, our Product Development staff is constantly seeking new suppliers and manufacturers of quality reproductions of otherwise obsolete items. The current Moss Motors website ([www.mossmotors.com](http://www.mossmotors.com)) pricing is always the best indication of availability.

Local laws and regulations relating to pollution, safety and lighting equipment vary considerably from state to state and country to country. Since we distribute parts for these cars on a worldwide basis, we are not in a position to advise what laws are in effect in each locality. We strongly encourage anyone contemplating any modifications to a vehicle intended for street use, to check local regulations before proceeding. We strongly suggest that you save all old stock equipment should reinstallation be necessary at a future date.

**NOTE:** In the body of this catalog, items with indented descriptions are components of the non-indented kit or assembly above them. When an indented component is "NA", it is still included in the assembly, but not available separately.

## Supersession and Rationalization of Parts

Most owners of British cars have, at one time or another, ordered an original "factory" part from an authorized dealer, only to find that the part received was different from the original, although it did work. This is the result of the supersession or rationalization of parts by the factory. Supersessions occur when a part is modified, and the original design or pattern is no longer produced. If old and new parts are interchangeable, even though they may appear slightly different, the old part is superseded by the new part. Rationalization is an attempt by the factory at efficiency in which one new part replaces several original parts, after which the original parts are no longer available.

## WARNING!

Working on automobiles is inherently dangerous. Moss Motors, Ltd. is not liable for injury or damage due to incorrect installation or use of their products. All products are sold with the understanding that the safe and proper installation and use of the products is the customer's responsibility. Follow factory workshop manual procedures and instructions, but use current shop safety standards and common sense. Some tasks will require professional advice or services which Moss Motors cannot provide.



OTS = Open Two Seater = roadster

FHC = Fixed Head Coupe

DHC = Drop Head Coupe = convertible

Note: -AM suffix on part number indicates "aftermarket" source.

**LOCAL & OVERSEAS: 805-681-3400**  
**FAX: 805-692-2525** [www.mossmotors.com](http://www.mossmotors.com)



## Jaguar Parts Catalog

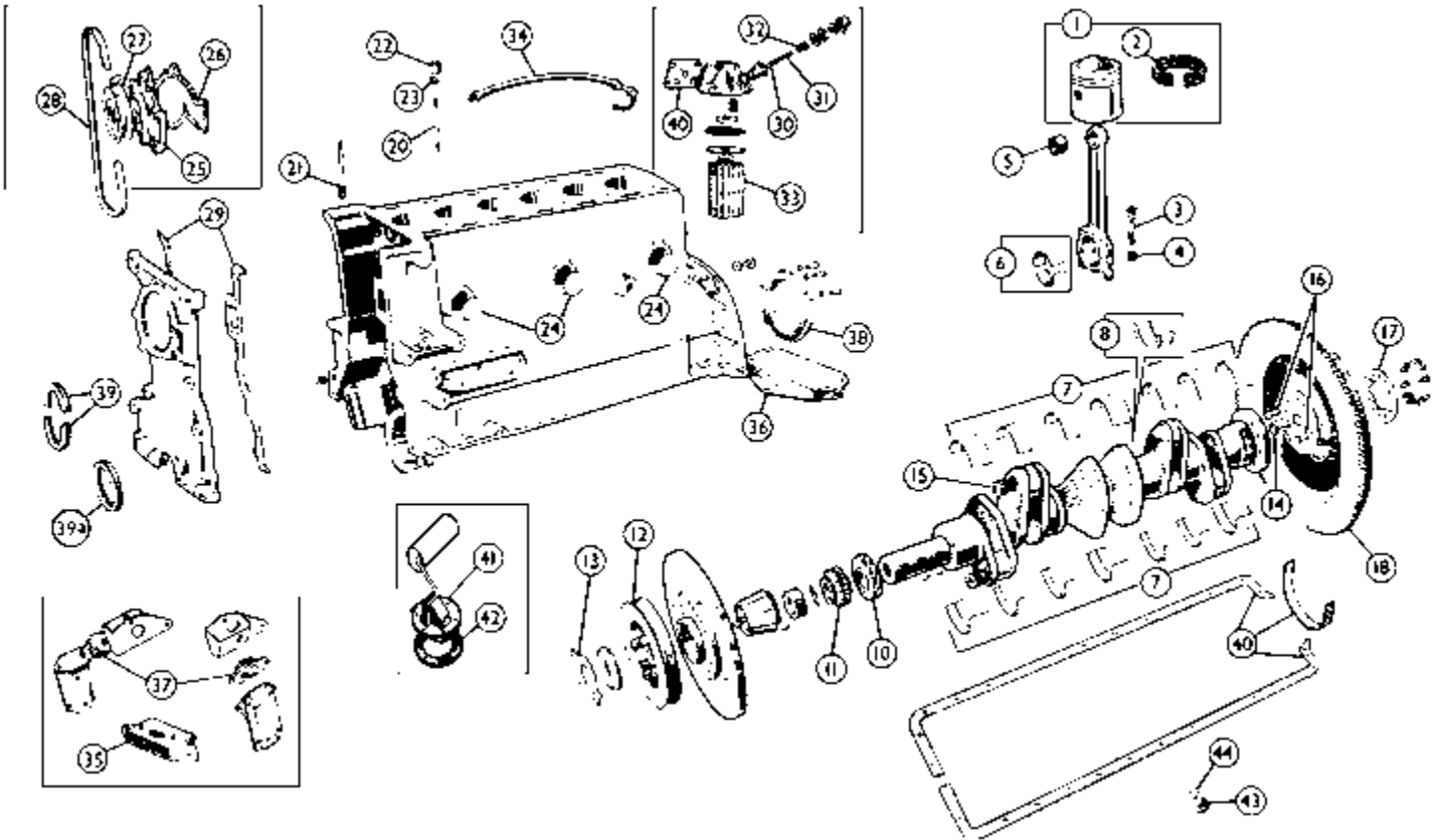
© Copyright Moss Motors, Ltd. October, 1986

Edition JAG-1808 August, 2018

Printed in the USA

All rights reserved. No part of this publication may be reproduced, stored in a retrieval system, or transmitted in any form or by any means, electronic, photocopying, recording, or otherwise without the prior written permission of Moss Motors, Ltd.

# XK Engine: Bottom End



No.	Part No.	Price (each)	Description	Application	Qty. Req.
1	011-111	NA	PISTON, standard	} all 3.4 engines 8:1 compression Nüral-AE brand	6
	011-112	\$129.99	PISTON, .020"		6
	011-113	\$129.99	PISTON, .030"		6
	011-114	\$109.00	PISTON, .040"		6
	011-115	NA	PISTON, .060"		6
	011-118	\$94.99	PISTON, standard	} all 3.8 engines, 8:1 compression Nüral-AE brand	6
	011-119	\$94.99	PISTON, .020"		6
	011-120	NA	PISTON, .030"		6
	011-121	NA	PISTON, .040"		6
	011-106	NA	PISTON, standard		} all 3.8 engines, 9:1 compression
	011-107	NA	PISTON, .020"	6	
	011-108	NA	PISTON, .030"	6	
	011-109	NA	PISTON, .040"	6	
	011-110	NA	PISTON, .060"	6	
	2	011-122	NA	RING SET, standard	} 3.4 engines 4-ring pistons
011-123		NA	RING SET, .020"	1	
011-124		NA	RING SET, .030"	1	
011-125		NA	RING SET, .040"	1	
011-126		NA	RING SET, .060"	1	
011-127		\$99.99	RING SET, standard	} 3.4 engines 3-ring pistons "Hastings" brand	1
011-128		\$99.99	RING SET, .020"		1
011-129		\$99.99	RING SET, .030"		1
011-130		\$99.99	RING SET, .040"		1
011-131		\$99.99	RING SET, .060"		1
011-132		\$84.99	RING SET, standard	} 3.8 engines 3-ring pistons "Hastings" brand	1
011-133		\$84.99	RING SET, .020"		1
011-134		\$84.99	RING SET, .030"		1
011-135		\$84.99	RING SET, .040"		1
011-136		\$84.99	RING SET, .060"		1
011-140		NA	CYLINDER LINER, 3/32" wall	} all 3.4 engines	6
011-141		NA	CYLINDER LINER, 1/8" wall		6
011-142		NA	CYLINDER LINER, 3/32" wall	} all 3.8 engines	6
011-143	NA	CYLINDER LINER, 1/8" wall	6		

No.	Part No.	Price (each)	Description	Application	Qty. Req.	
3	031-894	NA	CONNECTING ROD BOLT (use with self-locking nut)		12	
4	031-895	\$5.49	CONNECTING ROD NUT, self-locking		12	
5	829-018	\$14.99	WRIST PIN BUSH SET (6 bushes)		1	
6	550-061	\$59.99	ROD BEARING SET, standard		1	
	550-062	\$59.99	ROD BEARING SET, .010"		1	
	550-063	\$59.99	ROD BEARING SET, .020"		1	
	011-156	\$79.99	ROD BEARING SET, .030"		1	
	011-157	NA	ROD BEARING SET, .040"		1	
	7	550-066	\$82.49	MAIN BEARING SET, standard		1
		550-067	\$82.49	MAIN BEARING SET, .010"		1
011-163		\$82.49	MAIN BEARING SET, .020"		1	
011-164		\$107.99	MAIN BEARING SET, .030"		1	
011-165		NA	MAIN BEARING SET, .040"		1	
8	555-125	\$8.99	THRUST WASHER SET		1	
10	031-893	NA	GEAR, oil pump drive		1	
11	031-915	NA	SPROCKET, crankshaft		1	
12	011-066	NA	PULLEY, crankshaft XK120		1	
	031-782	NA	PULLEY, crankshaft XK140-150 to eng.V5732, VS1522		1	
	011-068	NA	PULLEY, crankshaft XK150 from eng. V5733, VS1523		1	
13	031-783	NA	TAB WASHER, crank pulley		1	
14	031-892	\$8.99	BUSHING, pilot shaft		1	
15	031-891	NA	PLUG, crank journals, threaded		6	
16	031-890	NA	DOWEL PIN, flywheel to crank		2	
17	031-784	\$19.99	LOCKPLATE, flywheel		1	
18	011-197	NA	RING GEAR, standard trans. XK140 - 150		1	
	011-198	NA	RING GEAR, auto. transmission XK140 - 150		1	
20	031-896	\$14.89	CYLINDER HEAD STUD, plain		13	
21	031-897	NA	CYLINDER HEAD STUD, stepped		1	
	311-788	\$229.99	CHROME NUT AND WASHER SET		1	
Complete 72 piece set of nuts and washers for head studs and cam covers. (Cam cover washers are copper as original.)						
22	011-149	\$4.99	DOME NUTS, chrome, cylinder head studs		14	
23	011-150	\$5.19	WASHER, cyl. head nuts ('D' washers) (XK120 uses 14)		14/10	
	011-983	\$5.59	WASHER, cyl. head nuts (round) XK140-150		4	
24	328-240	\$1.99	CORE PLUG, large		7	
	031-781	NA	CORE PLUG, small		1	

**MOSS** **MOSS MOTORS, LTD.** **TOLL-FREE ORDERS** **1-800-667-7872**

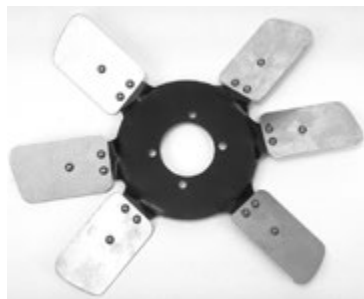
# XK Engine: Bottom End

No.	Part No.	Price (each)	Description	Application	Qty. Req.
25	011-174	NA	WATER PUMP	XK120	1
	011-170	\$124.95	WATER PUMP, rebuilt (no pulley)	XK140-150	1
		\$50.00	CORE CHARGE for 011-170		1
26	031-898	\$2.99	GASKET, water pump	XK120-150	1
27	011-067	NA	PULLEY, water pump	XK140 - early150†	1
	011-069	NA	PULLEY, water pump	late XK150††	1
28	011-171	\$21.99	FAN BELT, 5 blade fan	XK120 to (e)W5464	1
	011-172	NA	FAN BELT, 6 blade fan (use 011-171)	XK120 from (e)5465	1
	011-173	\$4.99	FAN BELT, 8 blade fan	XK120-140, 150 to V1597	1
	575-047	NA	FAN BELT	{ XK150 to (e)5732; XK150S to (e)VS1522	1
	575-044	NA	FAN BELT	{ XK150 from V5733; XK150S from VS1523	1
29	031-899	\$1.99	GASKET, timing cover		1
30	031-911	NA	PLUNGER, oil press. relief valve	}XK150	1
31	031-912	NA	SPRING, oil press. relief valve		1
32	031-913	NA	STOP PIN, oil press. relief valve		1
33	800-008	\$7.99	OIL FILTER, 5-3/8 x 3.75"	XK120 to (e)W4382	1
	950-050	NA	OIL FILTER, 4.5 x 3.5", "Crosland"	}XK120 from above	1
	950-550	NA	OIL FILTER, 4.5 x 3.5" **		XK140
	950-060	NA	OIL FILTER, felt, 6.25x2.5" "Crosland"	}XK140, XK150	1
	950-560	\$12.99	OIL FILTER, felt, 6.25 x 2.5" **		1
	031-910	NA	OIL PIPE, rear of block to head		1
34	590-046	NA	FLEX OIL LINE, block to gauge		1
	031-908	NA	BANJO BOLT, oil pipe		1
	031-909	\$1.49	WASHER, oil pipe to head		6
35	810-040	NA	ENGINE MOUNT, front (rectangular)	}early XK120	2
36	011-145	NA	ENGINE MOUNT, rear (rectangular)		1
37	011-146	\$9.99	ENGINE MOUNT, front (round)	}later XK120	2
		NA	ENGINE MOUNT, rear (round w/studs)		2
	011-146	\$9.99	ENGINE MOUNT, ft. & rear (illus.)	XK140-150	4
38	031-989	\$6.99	SEAL, crankshaft rear	XK150	2
39	535-010	\$29.99	SEAL, crankshaft front	XK120-140 to (e)G1907	1
39a	535-020	\$4.79	SEAL, crankshaft front	{ XK140 from (e)G1908 XK150	1
40	522-052	NA	CONVERSION GASKET SET	XK120 - 140	1
	522-053	\$42.99	CONVERSION GASKET SET, Payen	XK150	1
41	011-310	NA	SENDING UNIT, oil level	}XK120	1
42	293-415	\$0.49	GASKET, sending unit		1
43	011-761	NA	OIL DRAIN PLUG, stock type		1
	011-764	\$21.39	OIL DRAIN PLUG, magnetic (with washer)		1
44	324-805	\$1.99	WASHER, drain plug		1

† to engine #V5732 and VS1522

†† from engine #V5734 and VS1523, and 3.8 litre engines

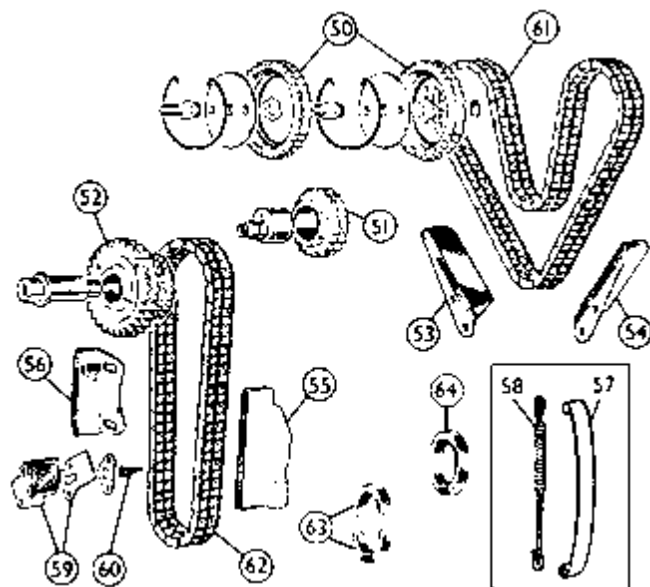
\*\* These oil filters are supplied by various manufacturers.



## XK120 Late Cooling Fan

Just like the originals fitted from engine #W.5465 (May, 1952), these superb reproductions feature a central steel "spider" with six riveted aluminum alloy blades.

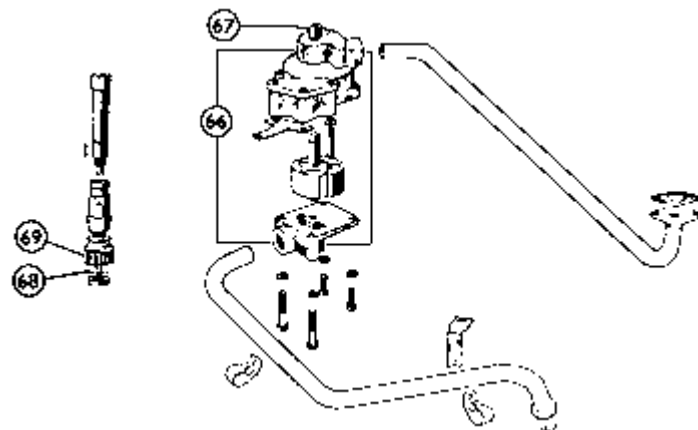
011-213 \$179.99



No.	Part No.	Price (each)	Description	Application	Qty. Req.
-----	----------	--------------	-------------	-------------	-----------

### Timing Chains/Sprockets

50	031-918	\$54.99	SPROCKET, camshaft		2
51	031-917	\$149.99	SPROCKET, idler		1
52	031-916	NA	SPROCKET ASS'Y., intermediate		1
53	031-922	\$7.39	DAMPER, R/H, upper chain	}late XK140 - 150	1
54	031-921	\$7.39	DAMPER, L/H, upper chain		1
55	031-919	\$12.39	DAMPER, lower chain (L/H)		1
56	031-920	NA	INTERMED. DAMPER, lower chain (R/H)		1
57	011-241	NA	TENSIONER BLADE	}XK120 - early XK140	1
58	600-100	NA	SPRING, tensioner		1
59	011-139	\$12.99	TENSIONER ASS'Y., hydraulic	}late XK140 - 150	1
60	031-903	NA	FILTER CONE, behind tensioner		1
61	600-105	\$16.59	TIMING CHAIN, upper		1
62	600-099	\$13.29	TIMING CHAIN, lower		1
63	535-010	\$29.99	OIL SEAL, front	XK120 - 140 to (e)G1907	1
64	535-020	\$4.79	OIL SEAL, front	XK140 - 150 from (e)G1908	1

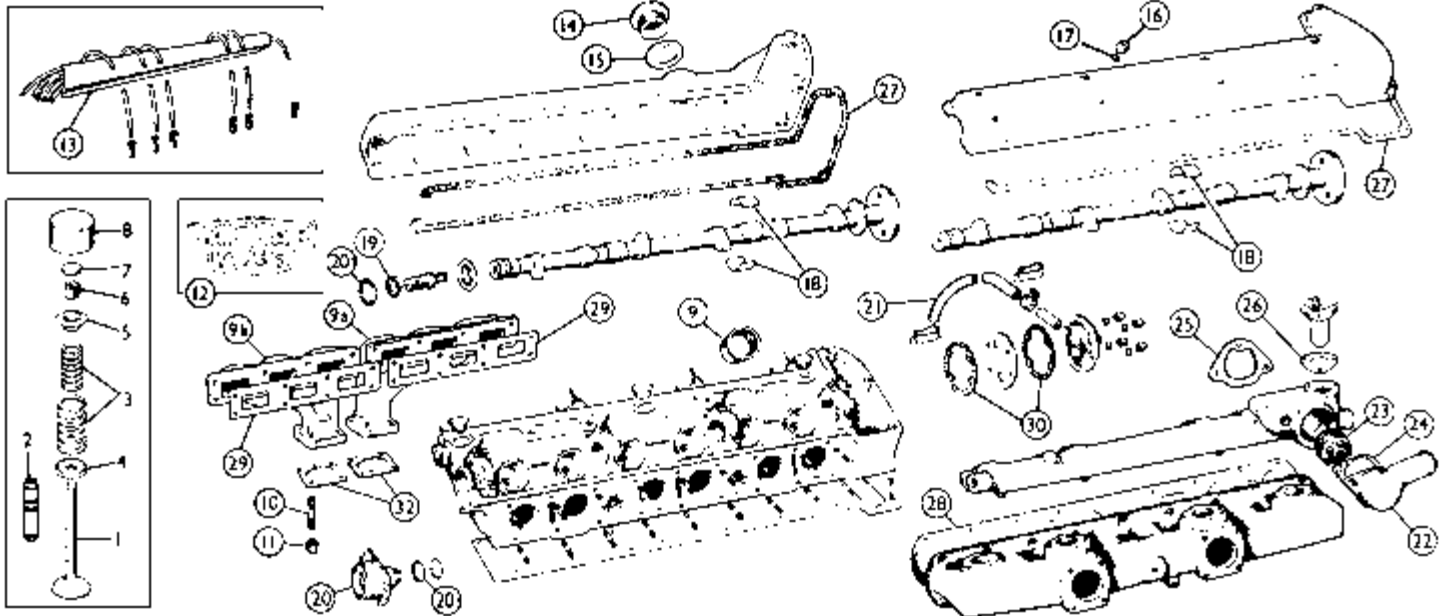


### Oil Pump

66	011-760*	\$89.99	OIL PUMP	XK140 - 150S from (e)G1908	1
67	031-900	NA	COUPLING, dist. drive gear		1
68	031-902	NA	SPECIAL WASHER, locknut		1
69	031-901	NA	GEAR, distributor drive		1

\*Oil pump supplied is for the later 4.2 litre engine. For use on 3.4 and 3.8 litre engines, the oil pick-up tube requires slight modification.

# XK Engine: Top End



No.	Part No.	Price (each)	Description	Application	Qty. Req.
1	537-079	\$11.89	INTAKE VALVE, 1 3/4" dia.	XK120 - 140	6
	537-112	\$6.79	INTAKE VALVE, 1 3/4" dia., AE	XK150 - 150S	6
	537-036	\$19.79	EXHAUST VALVE, stock, 1 7/16" dia.	XK120-140 std. head	6
	537-035	NA	EXHAUST VALVE, stellite tip		6
	537-092	\$9.99	EXHAUST VALVE, stock, 1 5/8" dia.	XK120-140 C-type head	6
	537-095	NA	EXHAUST VALVE, stellite tip		all XK150 - 150S
2	538-011	\$2.39	INTAKE GUIDE, AE	oversize, .005"	6
	538-035	NA	INTAKE GUIDE, manganese-bronze		6
	538-017	\$3.29	EXHAUST GUIDE		6
	538-030	NA	EXHAUST GUIDE, manganese-bronze		6
3	539-072	\$39.99	SPRING SET, valve	XK140 - 150S	1
4	031-907	\$4.00	CUPPED WASHER, valve spring		12
5	031-905	NA	COLLAR, valve stem		12
6	031-906	NA	VALVE STEM COTTER		24
7	031-085	\$3.29	VALVE ADJ. SHIM, .085"		A/R
	031-086	\$3.29	VALVE ADJ. SHIM, .086"		A/R
	031-087	\$3.29	VALVE ADJ. SHIM, .087"		A/R
	031-088	\$3.29	VALVE ADJ. SHIM, .088"		A/R
	031-089	\$3.29	VALVE ADJ. SHIM, .089"		A/R
	031-090	\$3.29	VALVE ADJ. SHIM, .090"		A/R
	031-091	\$3.29	VALVE ADJ. SHIM, .091"		A/R
	031-092	\$3.29	VALVE ADJ. SHIM, .092"		A/R
	031-093	\$3.29	VALVE ADJ. SHIM, .093"		A/R
	031-094	\$3.29	VALVE ADJ. SHIM, .094"		A/R
	031-095	\$3.29	VALVE ADJ. SHIM, .095"		A/R
	031-096	\$3.29	VALVE ADJ. SHIM, .096"		A/R
	031-097	\$3.29	VALVE ADJ. SHIM, .097"		A/R
	031-098	\$3.29	VALVE ADJ. SHIM, .098"		A/R
	031-099	\$3.29	VALVE ADJ. SHIM, .099"		A/R
	031-100	\$3.29	VALVE ADJ. SHIM, .100"		A/R
	031-101	\$3.29	VALVE ADJ. SHIM, .101"		A/R
	031-102	\$3.29	VALVE ADJ. SHIM, .102"		A/R
	031-103	\$3.29	VALVE ADJ. SHIM, .103"		A/R
	031-104	\$3.29	VALVE ADJ. SHIM, .104"		A/R
	031-105	\$3.29	VALVE ADJ. SHIM, .105"		A/R
	031-106	\$3.29	VALVE ADJ. SHIM, .106"		A/R
	031-107	\$3.29	VALVE ADJ. SHIM, .107"		A/R
	031-108	\$3.29	VALVE ADJ. SHIM, .108"		A/R
	031-109	\$3.29	VALVE ADJ. SHIM, .109"		A/R
	031-110	\$3.29	VALVE ADJ. SHIM, .110"		A/R
8	011-940	\$8.99	TAPPET		12
9	031-904	\$11.99	TAPPET GUIDE		12
9a	011-623	NA	EXHAUST MANIFOLD, front		1
9b	011-622	NA	EXHAUST MANIFOLD, rear		1
10	031-790	\$3.29	STUD, exhaust manifold		8
11	310-260	\$0.99	NUT, exh. manifold stud (brass)		8
12	011-795	NA	"JAGUAR C-TYPE" BADGE	on cam covers	2

No.	Part No.	Price (each)	Description	Application	Qty. Req.
13	031-923	\$56.99	IGNITION WIRE CARRIER	exact reproduction	1
14	011-147	NA	OIL FILLER CAP, polished aluminium		1
15	031-990	NA	WASHER, oil filler cap		1
	311-788	\$229.99	CHROME NUT AND WASHER SET		1
Complete 72 piece set of all chrome cylinder head and cam cover nuts, chrome cylinder head 'D' washers and copper cam cover washers as original.					
16	011-148	\$4.49	CHROME DOME NUT, cam cover		22
17	315-290	\$0.89	WASHER, copper		22
18	550-630	\$46.99	CAM BEARING SET		1
19	535-017	\$3.49	OIL SEAL, tach drive	XK120 - 150, mechanical tach	1
20	031-914	\$279.99	TACH GENERATOR, electric	late XK150 electric tach.	1
	011-855	\$4.99	TACH DRIVE DOG		1
20a	535-095	\$4.99	O-RING, rear of camshafts	mechanical tach. cars	2
	535-090	\$2.69	O-RING, tach generator	late XK150 electric tach.	1
	535-095	\$4.99	O-RING, end of intake cam		1
21	011-138	NA	BREATHER PIPE, "flexible"		1
22	011-058	NA	THERMOSTAT HOUSING	XK140	1
	011-054	NA	THERMOSTAT HOUSING	XK150	1
23			THERMOSTATS - see page 7.		

## Gaskets

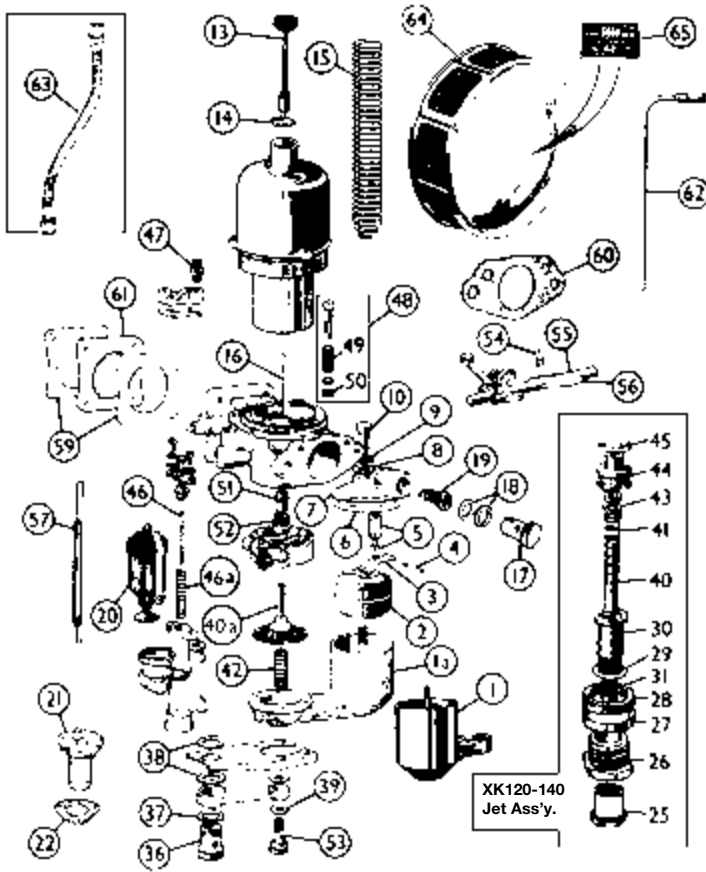
Note: One head set and one conversion set make one complete engine gasket set.

	524-071	\$129.99	GASKET SET, head	XK120	1
	524-069	\$124.99	GASKET SET, head	XK140-150, 3.4 engines	1
	011-620	NA	GASKET SET, head	XK150, 3.8 engines	1
	524-070	NA	GASKET SET, head	XK150S, 3.4 engines	1
	524-073	NA	GASKET SET, head	XK150S, 3.8 engines	1
	522-052	NA	GASKET SET, conversion	XK120 - 140	1
	522-053	\$42.99	GASKET SET, conversion, Payen	XK150 - 150S	1
24	011-602	NA	GASKET, thermostat housing	XK120	1
	011-168	\$2.99	GASKET, thermostat housing	XK140-150	1
25	031-787	\$11.99	GASKET, water outlet elbow	XK120	1
26	031-991	\$2.99	GASKET, auto. choke thermostat		1
27	529-214	\$8.49	GASKET, cam cover, Payen	3.4 engines	2
	529-214	\$8.49	GASKET, cam cover, L/H	with electric tach drive	1
	529-213	\$7.99	GASKET, cam cover, R/H		1
28	011-167	NA	GASKET, intake manifold	XK120 - 150	1
	529-261	NA	GASKET, intake manifold	XK150S	3
29	011-621	\$5.79	GASKET, exhaust manifold, Payen		2
30	011-169	\$1.99	GASKET, oil breather pipe		2
32	529-022	\$6.39	GASKET, manifold flange, Payen		2



**MOSS MOTORS, LTD.**  
TOLL-FREE ORDERS **1-800-667-7872**

# XK Carburetors



No.	Part No.	Price (each)	Description	Application	Qty. Req.
29	370-410*	\$0.89	WASHER, bottom bearing	} XK120 - 140	2
30	031-050	\$12.99	BEARING, bottom		2
31	378-190	\$14.99	SCREW, adjusting		2
36	370-350	\$2.99	BANJO BOLT		1
37	370-650\$*	\$0.39	WASHER, fiber		1
38	370-165\$*	\$1.79	WASHER, fiber		2
39	370-130\$*	\$0.59	WASHER, aluminum		2/3
40	378-170*	\$13.99	JET	XK120 - 140	2
40a	378-320\$*	\$38.99	JET	XK150	2
	378-330\$*	\$38.99	JET	XK150S	3
41	031-993	\$2.99	SPRING	XK120 - 140	2
42	031-994\$	\$1.99	SPRING, jet return	XK150 - 150S	2/3
43	295-200†	\$0.69	SEAL, cork	} XK120 - 140	2
	365-420	\$0.89	SEAL, O-ring replacement		2
44	370-380	\$14.99	BEARING, top		2
45	370-250*	\$1.29	WASHER, top bearing		2
46	031-995	\$79.99	NEEDLE, thermo carb.		1
46a	373-170	\$3.89	SPRING, for needle		1
47	378-240	\$12.99	UNION, auto ignition		1
48	373-050	\$25.99	VALVE KIT, slow running	} XK150 - 150S	2/3
49	031-997	\$3.29	SPRING, valve		2/3
50	378-150*	\$0.99	WASHER		2/3
51	031-998	\$11.99	JET BEARING		2/3
52	371-650	\$7.29	SCREW, jet locking		2/3
53	372-560	\$13.99	BANJO BOLT		2/3
54	370-090\$	\$1.79	SCREW, throttle disc		4/6
55	372-500\$	\$22.99	THROTTLE SHAFT, standard	} XK120 - 150	2
	372-510	\$22.99	THROTTLE SHAFT, oversize		2
	011-187\$	\$29.99	THROTTLE SHAFT, standard	} XK150S	3
	011-188	\$29.99	THROTTLE SHAFT, oversize		3
56	378-220\$	\$15.99	DISC, throttle	XK120 - 150	2
	373-190\$	\$22.49	DISC, throttle	XK150S	3
57	031-792	\$6.79	SPRING, throttle return	XK150 - 150S	2/3

No.	Part No.	Price (each)	Description	Application	Qty. Req.
1	378-040	\$129.99	FLOAT CHAMBER	XK120 - 140	2
1a		NA	FLOAT CHAMBER, front	XK150/150S	1
	031-987	NA	FLOAT CHAMBER, rear & center	XK150/150S	1/2
2	370-010	\$11.49	FLOAT, orig. type, brass		2/3
	370-015	\$13.79	FLOAT, Nitrophyl replacement	<a href="#">MORE INFO ONLINE</a>	2/3
3	370-170	\$7.49	LEVER, float	original cover	2/3
	371-030	\$6.99	LEVER, float (incl. w/lids)	replacement cover	2/3
4	370-060\$*	\$0.89	PIN, float lever (incl. w/lids)	all models	2/3
5	371-055\$*	\$19.99	NEEDLE AND SEAT ASS'Y., "Viton" tip (incl. w/lids)		2/3
	386-390	\$10.99	GROSE-JET, superior replacement for original style needle and seat		2/3
6	294-900\$†	\$0.89	GASKET, chamber lid (incl. w/lids)		2/3
7	375-068	\$92.99	LID, float chamber	XK120-140	2
	375-068	\$92.99	LID, float chamber, front	XK150 - 150S	1
	375-058	\$92.99	LID, float chamber, rear	XK150 - 150S	1
	375-058	\$92.99	LID, float chamber, center	XK150S	1
8	370-160\$*	\$0.99	WASHER, fiber		2/3
9	370-130\$*	\$0.59	WASHER, aluminum		2/3
10	370-150	\$6.99	CAP NUT		2/3
13	370-740	\$22.89	DAMPER		2/3
14	370-650\$*	\$0.39	WASHER, damper		2/3
15	370-520	\$4.89	SPRING, piston	except XK150S	2
	031-999	NA	SPRING, piston	XK150S	3
16	854-227	NA	JET NEEDLE, standard, RB	XK120, 1949 - '50	2
	011-183	\$13.99	JET NEEDLE, standard, RF	XK120, 1951 - '54	2
	011-184	NA	JET NEEDLE, standard, W02	{ XK120, 1951 - '54, w/remote air cleaner	2
	011-185	NA	JET NEEDLE, standard, SJ	XK140	2
	374-450	NA	JET NEEDLE, rich, SA	XK140	2
	854-246	\$12.99	JET NEEDLE, standard, TL	XK150	2
	011-186	NA	JET NEEDLE, standard, UE	XK150S	3
17	370-350	\$2.99	BANJO BOLT		2/3
18	370-650\$†*	\$0.39	WASHER, fiber		4/6
19	370-270	\$4.49	SCREEN & SPRING		2/3
20	378-340	\$149.99	SOLENOID		1
21	378-410	\$134.99	SENDING UNIT, solenoid	on manifold	1
22	031-991	\$2.99	GASKET, sending unit		1
25	378-210	\$11.99	END CAP	} XK120-140	2
26	370-400	\$9.99	NUT, sealing		2
27	370-220	\$4.99	RING, sealing		2
28	295-000†*	\$0.89	SEAL, cork		2

## Gasket/Filters/Manual

Note: "Master Rebuild Kits" are produced exclusively by S.U., with only genuine S.U. components, and include all parts marked \$, plus some seals & gaskets not illustrated. "Repair kits" include items marked †. Gasket sets include items marked ‡. Kits service the number of carbs. indicated. Jet needles are not included.

375-278	\$113.99	REPAIR KIT, 1 3/4" carbs (for 2 carbs.)	XK120-140	1	
375-588	\$269.99	MASTER REBUILD KIT (for 2 carbs.)	} XK150	1	
375-288	\$125.99	REPAIR KIT, 1 3/4" carbs (for 2 carbs.)		1	
375-595	\$149.99	MASTER REBUILD KIT (for 1 carb.)	} XK150S	3	
375-298	NA	REPAIR KIT, 2" carbs (for 3 carbs.)		1	
698-028	\$9.99	GASKET SET, for 2 carbs.	XK120 - 140	1	
698-038	NA	GASKET SET, for 2 carbs.	XK150	1	
698-048	NA	GASKET SET, for 3 carbs.	XK150S	1	
59	696-010\$†*	\$0.59	GASKET, carb. to manifold	all 1 3/4" carbs.	4
	529-120\$†*	\$1.79	GASKET, carb. to manifold	all 2" carbs.	4/6
60	696-020\$†*	\$0.69	GASKET, filter to carb.	all 1 3/4" carbs.	2
	696-030\$†*	\$1.39	GASKET, filter to carb.	all 2" carbs.	2/3
61	696-000	\$3.69	INSULATING BLOCK, carb.	all 1 3/4" carbs.	2
62	451-250	\$17.99	OVERFLOW PIPE		2/3
63	590-035	NA	FUEL LINE, flexible		1
64	371-520	\$29.99	AIR FILTER, A-C Sphinx type	1 3/4" carbs	2
65	011-716	\$4.19	DECAL, air cleaner, original type		2

No.	Part No.	Price (each)	Description	Application	Qty. Req.
55	372-500\$	\$22.99	THROTTLE SHAFT, standard	} XK120 - 150	2
	372-510	\$22.99	THROTTLE SHAFT, oversize		2
	011-187\$	\$29.99	THROTTLE SHAFT, standard	} XK150S	3
	011-188	\$29.99	THROTTLE SHAFT, oversize		3

## Carburetor Accessories

211-305	\$29.99	WORKSHOP MANUAL, S.U. carbs	(official S.U. publication)
386-300	\$21.99	SU TOOL KIT	
386-200	\$28.99	UNI-SYN	
386-500	\$34.99	SU JET CENTERING TOOL	

## S.U. Carburetor Dashpot Oil

Finally take all the guesswork out of what type of oil to use in your dashpots. Specially formulated for all SU and Zenith-Stromberg carburetors, this oil ensures the correct piston movement so critical for correct fuel mixture and optimum performance. You don't have to use engine oil any more. 125ml. supply should last a long time.

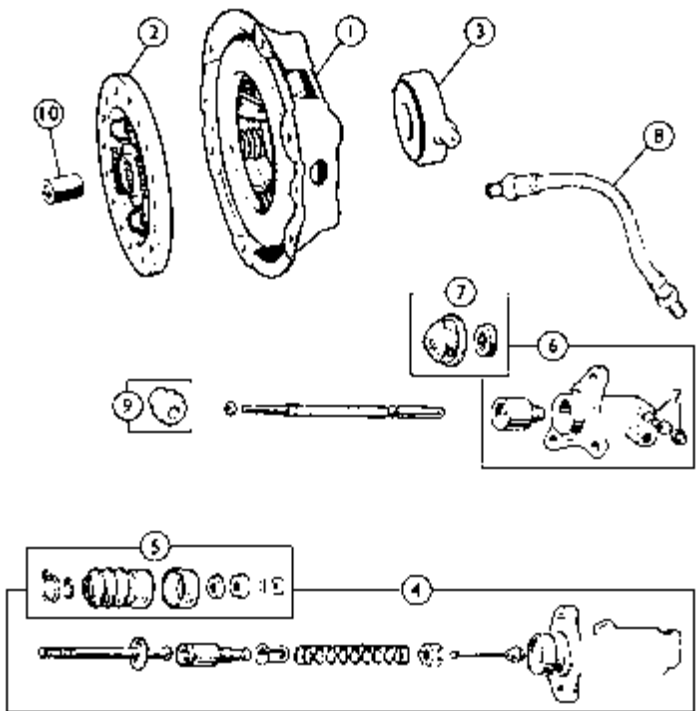
220-225 \$11.99



**LOCAL & OVERSEAS: 805-681-3400**  
**FAX: 805-692-2525** [www.mossmotors.com](http://www.mossmotors.com)



# XK Clutch / Gearbox

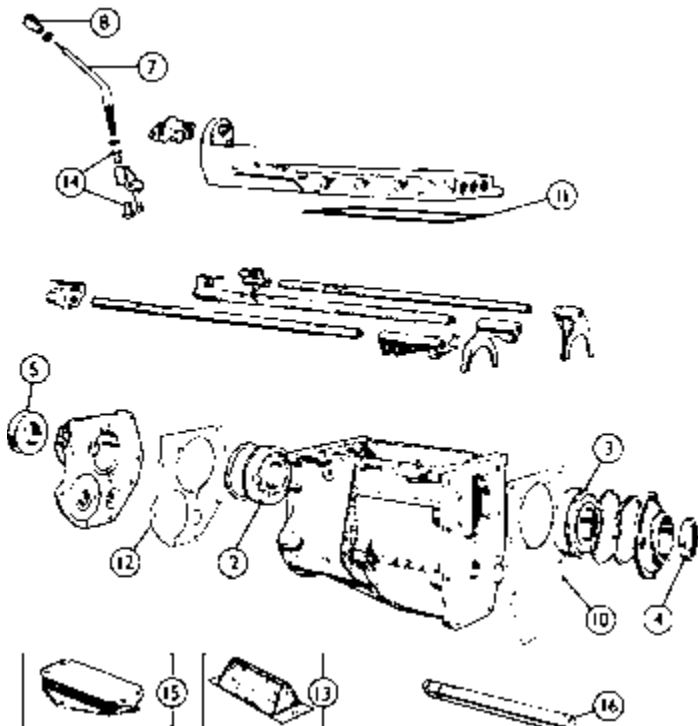


No.	Part No.	Price (each)	Description	Application	Qty. Req.
<b>Clutch</b>					
1	500-080	NA	PRESSURE PLATE, new	heavy duty	1
2	500-100	\$104.99	DISC, new		1
3	501-023	\$73.99	RELEASE BEARING		1
4	581-110	NA	MASTER CYLINDER, clutch	} XK150 - 150S	1
5	513-065	NA	REPAIR KIT, master cylinder		1
6	011-200	NA	SLAVE CYLINDER		1
7	513-084	\$6.99	REPAIR KIT, slave cylinder		1
8	011-252	NA	HOSE, slave cylinder		1
	011-615	\$12.99	HOSE, slave cylinder, aftermarket	1	
9	330-430	NA	BUSH, clutch shaft (in housing)	XK120 - 140	29
10	031-892	\$8.99	BUSHING, pilot shaft		1



### Clutch Alignment Tool

This precision made lightweight, durable alignment tool really helps in clutch installation. Eliminates hours of frustration.  
**387-260 \$2.89**



No.	Part No.	Price (each)	Description	Application	Qty. Req.
<b>Gearbox</b>					
1	128-000	\$32.79	BEARING, tailshaft	XK120, SH - JH trans.	1
2	620-564	\$89.99	BEARING, rear mainshaft		1
3	620-586	\$26.99	BEARING, 1st motion shaft		1
	011-201	NA	NEEDLE BRG. ASS'Y., 1st motion shaft		1
	866-470	\$59.99	BEARING, clutch thrust ring	} XK140 - 150S with O/D	1
	866-630	\$19.99	BEARING, inner tailcase		1
	525-150	\$12.99	BEARING, outer tailcase		1
4	535-047	\$4.59	OIL SEAL, front cover	except XK150 JL & JS trans.	1
5	535-192	\$9.99	OIL SEAL, rear cover	without O/D	1
	120-700	\$1.79	OIL SEAL, rear cover	overdrive trans.	1
7	011-792	NA	GEARSHIFT LEVER, straight	XK120 - 140	1
8	620-040	NA	GEARSHIFT KNOB, repro.	XK120, early XK150	1
	031-798	\$79.99	GEARSHIFT KNOB, repro.	late XK150 - 150S	1
10	031-950	\$3.29	GASKET, front gearbox		1
11	031-951	NA	GASKET, top gearbox	O/D uses 2	1/2
12	031-949	\$3.99	GASKET, rear		1
13	031-802	\$44.99	MOUNT, rear gearbox (O/D trans.)	XK140 - 150S	1
14	682-010	\$7.99	BUSHING, gearshift lever (rubber)		2
15	011-145	NA	MOUNT, rear gearbox	} XK120 Rd. to (c)672481 XK120 FHC to (c)679815	1
16	011-960	\$139.99	LAYSHAFT		1

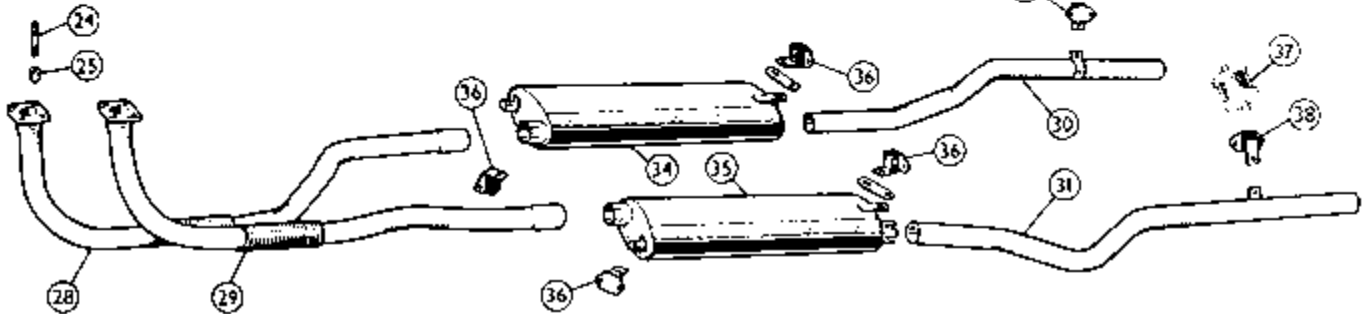
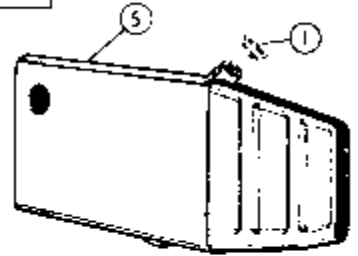
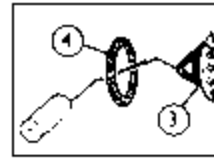
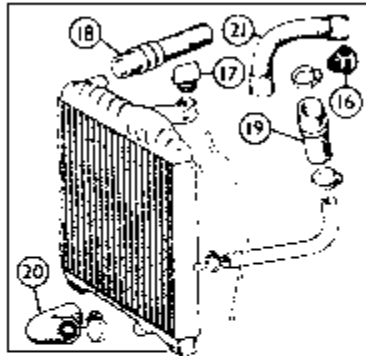
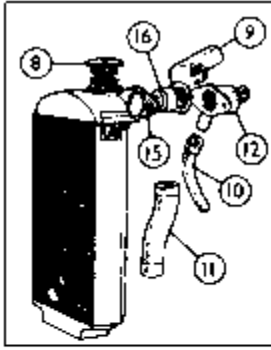
### Automatic Transmission

011-204	NA	BEARING, mainshaft	} XK140 - 150S auto. trans.	1
011-205	NA	OIL SEAL, front cover		1
011-206	NA	OIL SEAL, rear cover		1



**MOSS MOTORS, LTD.**  
TOLL-FREE ORDERS

**1-800-667-7872**



No.	Part No.	Price (each)	Description	Application	Qty. Req.
-----	----------	--------------	-------------	-------------	-----------

### Fuel System

1	682-170	NA	GAS TANK CAP SEAL, dome-type		1
	011-982	NA	GAS TANK CAP SEAL, flat type		1
2	031-968	NA	FILTER ASS'Y., gas tank		1
3	011-311	\$66.99	SENDING UNIT, fuel gauge	XK120	1
	011-312	\$74.99	SENDING UNIT, fuel gauge	XK140 - 150	1
4	293-415	\$0.49	GASKET, cork, sending unit		1
	293-401	\$5.99	GASKET, sending unit, ethanol-proof (incl. cover gasket)		1
5	849-040	NA	GAS TANK	XK120	1
	849-050	NA	GAS TANK	XK140 - early XK150*	1
	849-060	NA	GAS TANK	late XK150*	1

\*change at OTS #830559, DHC #837467, FHC #835588

### Cooling System

8	011-830	\$11.99	RADIATOR CAP, round	} XK120	1
9	011-175	\$24.99	HOSE, top		1
10	011-181	\$12.99	HOSE, bypass		1
11	570-016	\$21.99	HOSE, bottom		1
12	011-144	NA	THERMOSTAT HOUSING		1
15	011-602	NA	GASKET, thermostat housing		1
16	434-155	NA	THERMOSTAT, 160°	} modern replacement	1
	434-180	\$4.49	THERMOSTAT, 160°		1
	434-189	\$4.49	THERMOSTAT, 180°		1
	434-190	\$4.69	THERMOSTAT, 195°		1
17	011-830	\$11.99	RADIATOR CAP, round	early XK140	1
	834-800	\$4.49	RADIATOR CAP, 1" depth, 4 lbs.	} late XK140 - 150 (as fitted)	1
	583-004	\$4.79	RADIATOR CAP, 1" depth, 7 lbs.		1
	011-845	\$4.39	RADIATOR CAP, 3/4" depth, 4 lbs.		1
18	434-427	\$24.59	HOSE, top (replacement)	XK140	1
	434-427	\$24.59	HOSE, top replacement	XK150	1
19		NA	HOSE, intermediate	} XK140 - 150	1
20	011-178	\$19.99	HOSE, bottom		1
21	834-320	\$8.59	HOSE, bypass		1

No.	Part No.	Price (each)	Description	Application	Qty. Req.
-----	----------	--------------	-------------	-------------	-----------

### Exhaust System

24	031-790	\$3.29	STUD, exhaust manifold to pipe		8
25	310-260	\$0.99	NUT, exhaust manifold stud (brass)		8
26	529-022	\$6.39	GASKET, front pipe, Payen		2
	031-827	NA	GASKET, front pipe to muffler	XK120	1
28	011-191	NA	FRONT PIPE, R/H (not auto trans.)	} XK140 - 150S	1
29	011-192*	NA	FRONT PIPE, L/H		1
30	011-195	NA	TAILPIPE, R/H		1
31	011-196	NA	TAILPIPE, L/H		1
34	011-193	NA	MUFFLER, R/H		1
35	011-194	NA	MUFFLER, L/H	1	
36	614-008	\$3.59	MOUNT, front		4
37	031-828	NA	MOUNT, rear	XK120	1
38	614-009	\$5.79	MOUNT, rear	XK140 - 150S	2

\*Note: For some XK140s this pipe may need slight modification to clear the clutch linkage.



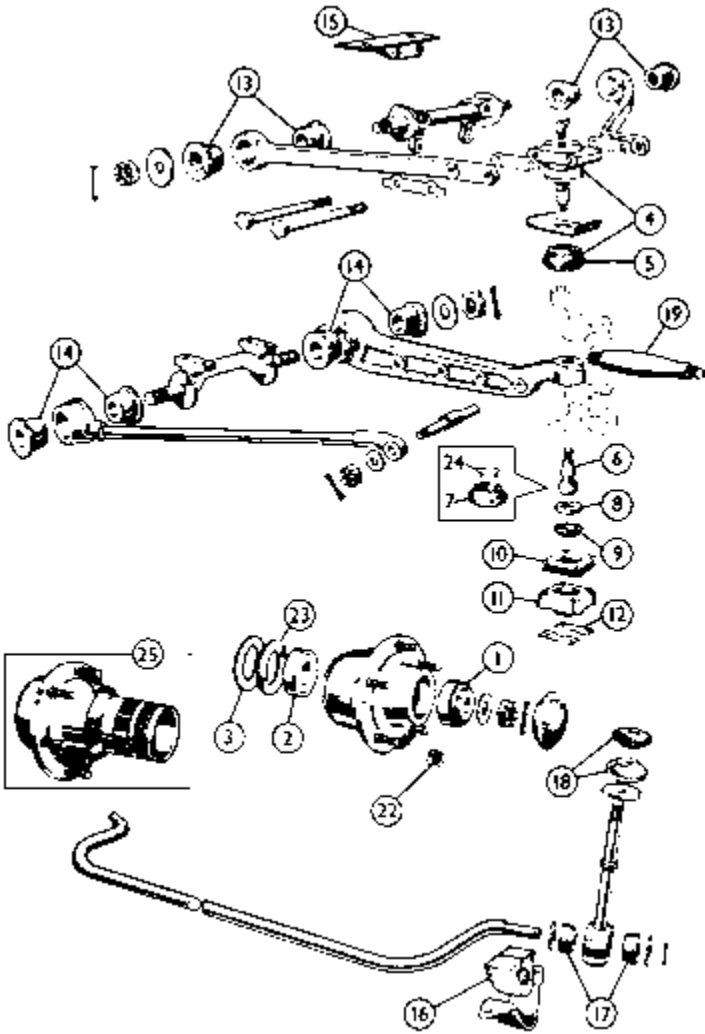
### Water Wetter

Water Wetter is a specially-formulated wetting agent which helps coolant "bond" to the metal surfaces inside your cooling system, thereby increasing heat transfer efficiency. Your car can run up to 15° F cooler. Highly recommended, especially for warmer climates. (Must be shipped ground - cannot ship by air.)

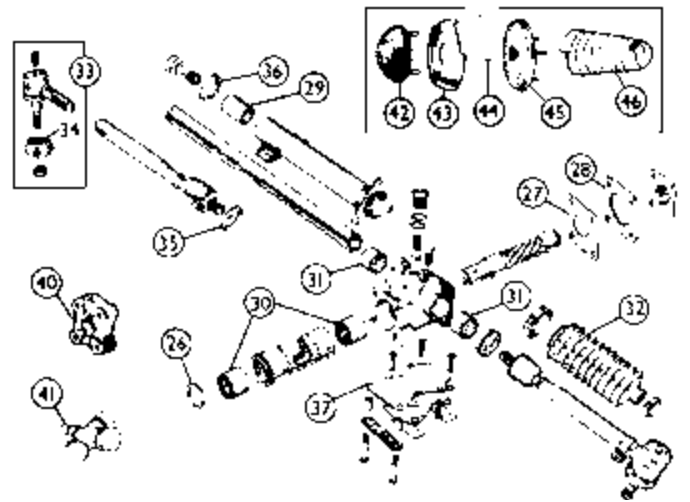
220-115 \$19.99



# XK Suspension / Steering



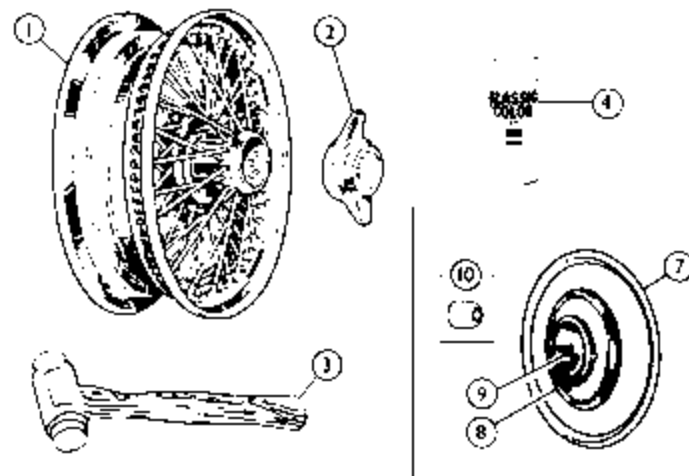
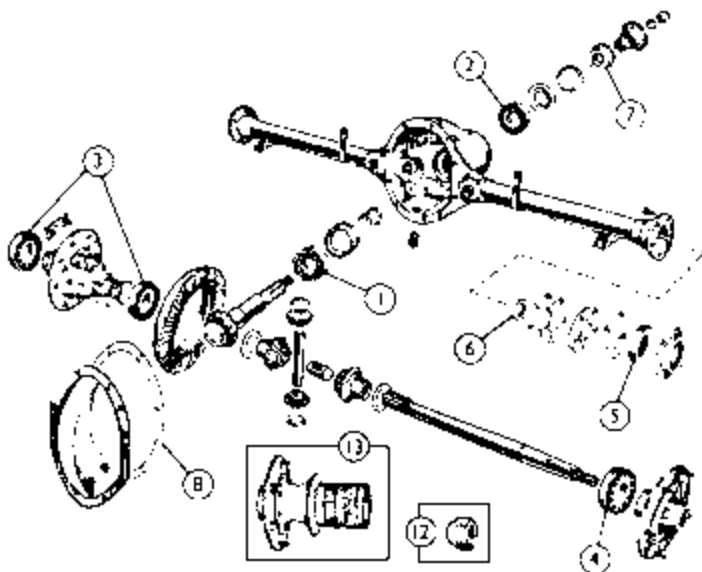
No.	Part No.	Price (each)	Description	Application	Qty. Req.
<b>Front Suspension</b>					
1	011-226	\$25.99	BEARING, outer wheel		2
2	011-225	\$46.99	BEARING, inner wheel		2
3	011-227	\$2.79	OIL SEAL, hub		2
4	011-935	\$34.99	UPPER BALL JOINT ASS'Y., pair		1
5	011-914	\$2.19	BOOT, upper ball joint		2
6	011-922	NA	BALL PIN, lower ball joint		2
7	011-918	NA	BOOT, lower ball joint		2
8	011-926	NA	SPIGOT, over ball pin socket - brass sockets only (For use with brass sockets only. Not for later Morganite sockets.)		2
9	011-928	NA	FIBER SOCKET, Morganite (replacement for brass sockets)		2
10	011-920	NA	SHIM, .0025"	A/R	
	011-919	NA	SHIM, .005"	A/R	
	011-917	NA	SHIM, .010"	A/R	
11	011-932	NA	CAP, ball joint socket		2
12	011-921	\$1.59	LOCKPLATE, setscrew		4
13	011-916	\$3.99	BUSHING, upper A-arm		8
14	011-934	\$5.99	BUSHING, lower A-arm		8
15	672-030	\$35.99	BOUND BUFFER		2
16	011-936	NA	RUBBER MOUNT, 1/2" sway bar	early XK120	2
	011-938	NA	RUBBER MOUNT, 5/8" sway bar	late XK120 - 150S	2
17	011-942	\$2.49	RUBBER BUSHING, eye-end		4
18	011-943	\$1.19	RUBBER BUFFER, top link		4
19	031-821	NA	STUB AXLE		2
22	031-819	NA	NUT, hub stud	XK120 - 140	10
23	661-800	NA	RETAINER, oil seal		2
24	011-924	NA	CLIP, boot retaining		2
25	011-886	\$167.99	HUB, WIRE WHEEL, L/H	}XK120 - 140	1
	011-887	\$167.99	HUB, WIRE WHEEL, R/H		1
	011-925	\$167.99	HUB, WIRE WHEEL, L/H	}XK150	1
	011-927	\$167.99	HUB, WIRE WHEEL, R/H		1



No.	Part No.	Price (each)	Description	Application	Qty. Req.
<b>Steering</b>					
26	031-823	NA	OIL SEAL, pinion shaft	XK140 - 150S	1
27	031-814	NA	SHIM, steering box end cover	}XK120	A/R
28	031-815	NA	GASKET, steering box end cover		A/R
	031-813	\$2.99	OIL SEAL, steering box		1
29	011-946	NA	BEARING, rack tube end	}XK140 - 150S	1
30	011-947	NA	BEARING, pinion housing		2
31	011-948	NA	BUSHING, pinion housing		2
32		NA	RACK SEAL		2
33	011-591	NA	OUTER TIE ROD END, pair	XK120, 1949 - '51	1
	011-592	NA	OUTER TIE ROD END, pair	XK120, 1952 - '54	1
	011-229	NA	TIE ROD END, pair	}XK140 - 150S	1
34	011-914	\$2.19	BOOT, tie rod end		2
35	031-958	NA	LOCK TAB, male to female housing		2
36	031-959	NA	LOCK TAB, male ball housing		2
	031-820	NA	REPAIR STUD & BUSH, track rod (machining required)	}XK120	2
37	011-586	NA	MOUNT, rack and pinion	}XK140 - 150S	2
40	011-230	\$49.99	COUPLING, steering column		1
41	263-265	\$34.99	JOINT, steering column		1
	263-260	\$7.79	JOINT, steering column, aftermarket		1
42	011-882	NA	CENTERPIECE, steering wheel	}XK120	1
43	011-883	NA	CHROME SURROUND, centerpiece		1
44	011-065	NA	LEVER, turn signal		1
45	011-890	NA	HORN PUSH	XK140 - 150	1
46	260-130	\$37.49	CHROME SPRING, steering col.		1
<b>Shock Absorbers</b>					
	656-260	NA	FRONT SHOCK, Koni	XK120	2
	658-730	NA	FRONT SHOCK, Koni	XK140	2
	658-810	NA	FRONT SHOCK, Koni	XK150 - 150S	2
	683-300	\$339.99	FRONT SHOCK PAIR, Spax	XK140 - 150S	1
	658-780	\$229.99	REAR SHOCK, Koni	XK140	2
	658-820	NA	REAR SHOCK, Koni	XK150 - 150S	2
	683-301	\$339.99	REAR SHOCK PAIR, Spax	XK140 - 150S	1
	215-210	\$7.39	DECAL, Girling shock absorbers	XK120	2



# XK Rear Axle / Suspension



No.	Part No.	Price (each)	Description	Application	Qty. Req.
-----	----------	--------------	-------------	-------------	-----------

## Wire Wheels

The original 16" 54-spoke wire wheels are no longer available. Some XK150 were fitted with 60-spoke wheels as an option. The same 60-spoke wheels are also excellent heavy duty replacements for XK120 and 140.

1	854-360	\$471.99	WIRE WHEEL, 60-spoke, chrome		5
	854-350	\$373.99	WIRE WHEEL, 60-spoke, painted		5
	452-770	NA	RIM BAND, 16"		5
2	011-880	\$89.99	KNOCK-OFF, R/H, chrome		2
	011-881	\$89.99	KNOCK-OFF, L/H, chrome		2
3	386-850	\$49.99	HAMMER, 2 lbs., copper/copper		1
	386-110	\$57.99	HAMMER, 2 lbs., copper/rawhide		1
	386-180	\$64.99	HAMMER, 4 lbs., lead		1
4	220-560	\$21.69	SPRAY PAINT, silver wheel		A/R

## Disc Wheels

7	031-829	NA	TRIM RING, disc wheels	factory option	4
8	011-758	NA	HUB CAP, without medallion		4
9	011-759	NA	MEDALLION, hub cap		4
	326-520	\$0.24	SPEED NUT, med. securing		8
10	031-819	NA	NUT, hub stud	XK120 - 140	20

## Inner Tubes

Top quality heavy-duty tube designed for use with radial tires and have rubber covered valve stems.  
(Can be used with bias-ply tires.)



175/185 x 16" Inner Tube 452-775 \$29.99 ea.



## Spoke Wrench

Keep your wire wheels true with our chrome vanadium steel spoke wrench. The 7" length provides good leverage, while the wide faces and accurately sized openings allow you to adjust your spoke nipples without rounding them off.  
Chrome plated for durability. **385-800 \$10.29**

No.	Part No.	Price (each)	Description	Application	Qty. Req.
-----	----------	--------------	-------------	-------------	-----------

## Rear Axle

Note: ENV rear axles have no inspection cover, Salisbury axles (illustrated) have a removable inspection cover.

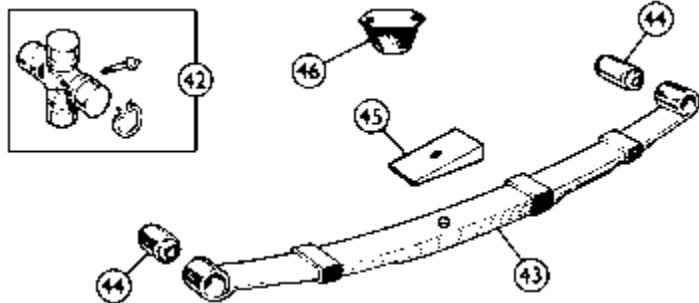
1	011-220	NA	BEARING, bevel pinion, front	Salisbury axles	1
2	011-216	NA	BEARING, bevel pinion, rear	ENV axles	1
	011-221	NA	BEARING, bevel pinion, rear	Salisbury axles	1
3	011-217	NA	BEARING, differential	ENV axles	2
	011-222	NA	BEARING, differential	Salisbury axles	2
4	011-217	NA	BEARING, hub, 1 11/16" ID	ENV axles	2
	011-223	NA	BEARING, hub, 1 3/8" ID	Salisbury axles	2
5	011-219	NA	OIL SEAL, hub	ENV axles	2

520-430	\$4.49	OIL SEAL, hub	} Salisbury axles	2	
011-224	\$14.39	OIL SEAL, axle housing		2	
535-234	\$27.99	OIL SEAL, pinion		1	
8	031-954	\$2.89	GASKET, differential cover	(4HA units only)	1

12	031-819	NA	NUT, hub stud, disc wheel	XK120 - 140, Salisbury	10
----	---------	----	---------------------------	------------------------	----

13	011-901	\$167.99	HUB, WIRE WHEEL, L/H	} XK120 - 140	1
	011-902	\$167.99	HUB, WIRE WHEEL, R/H		1

	011-929	\$167.99	HUB, WIRE WHEEL, L/H	} XK150	1
	011-931	\$167.99	HUB, WIRE WHEEL, R/H		1



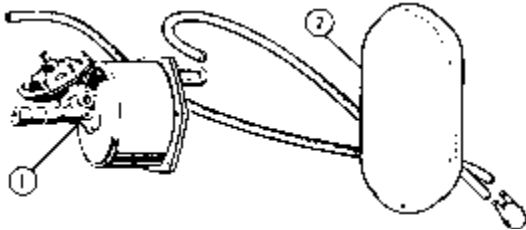
## Rear Suspension/U-Joints

42	674-650	\$26.99	U-JOINT, GKN/Hardy-Spicer (with grease nipple)		2
	674-651	\$11.99	U-JOINT, aftermarket (with grease nipple)		2
	674-652	\$24.99	U-JOINT, aftermarket, permanently lubricated		2
43	454-850	NA	LEAF SPRING, rear	XK120 - 140	2
	454-860	NA	LEAF SPRING, rear	XK150 - 150S	2
44	031-955	NA	SILENTBLOC BUSHING		4
45	031-809	NA	TAPER WEDGE, rear spring	XK140 - 150S	2
46	672-040	NA	BUFFER		2

LOCAL & OVERSEAS: 805-681-3400  
FAX: 805-692-2525 www.mossmotors.com

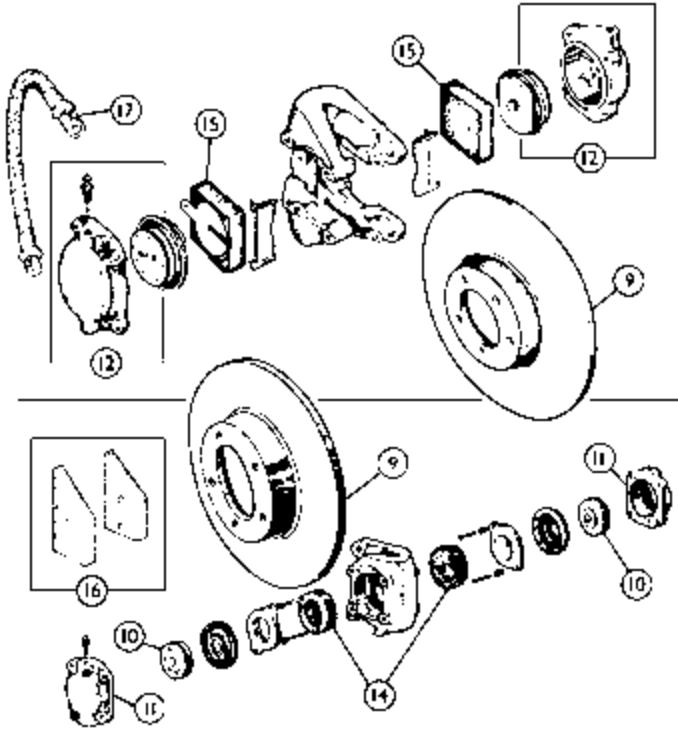
MOSS

# XK Brakes



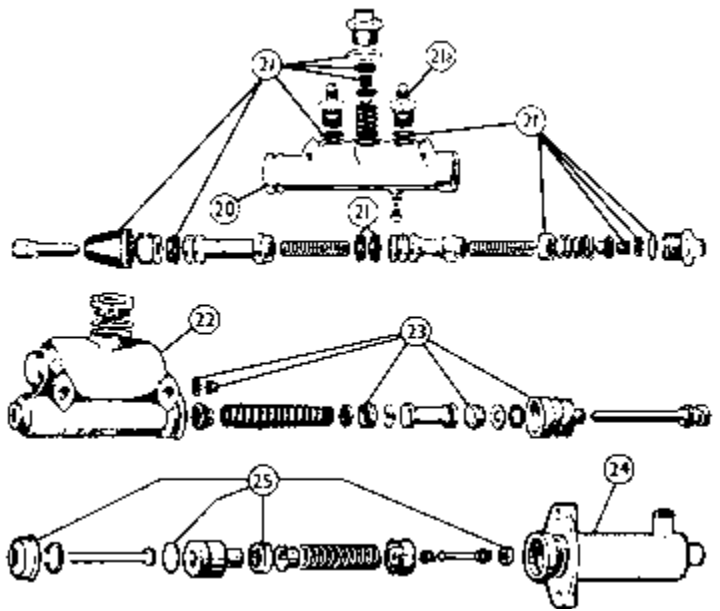
No.	Part No.	Price (each)	Description	Application	Qty. Req.
1	981-173	\$369.99	BRAKE SERVO, replacement (minor mods. required)		1
	510-282	NA	MAJOR KIT	} original servos only	1
	510-284	NA	PACKING KIT, piston		1
	510-283	NA	VALVE KIT, air control		1

2	031-965	NA	SERVO TANK		1
---	---------	----	------------	--	---



9	011-875	\$109.99	BRAKE ROTOR	XK150 - 150S	4
	011-240	NA	PISTON, front caliper, 2-1/8"	} XK150 - 150S with round disc pads	4
10	011-244	NA	PISTON, rear caliper, 1- 5/8"		4
	031-963	NA	PISTON CYL., front, 2-1/8"		4
11	031-811	NA	PISTON CYL., rear, 1- 5/8"		4
12	181-590	\$199.99	PISTON & CYL., front, 2-1/8"	} XK150 - 150S with square disc pads	4
	011-245	NA	PISTON & CYL., rear, 1-11/16"		4
	031-992	NA	PISTON & CYL., rear, 1-5/8"		4

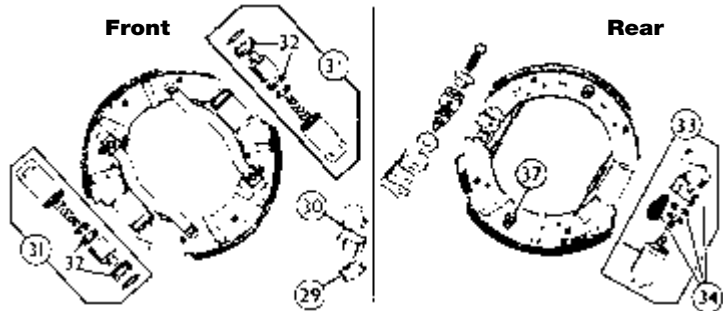
	181-600	\$29.99	REPAIR KIT, front piston	all 2-1/8" pistons	1
	011-246	NA	REPAIR KIT, rear piston	1-11/16" pistons, square pads	1
	513-240	NA	REPAIR KIT, rear piston	all 1-5/8" pistons	1
14	011-257	NA	PAD SET, front & rear	round pad	2
15	182-220	\$22.39	PAD SET, front & rear	square pad	2
16	182-230	\$149.99	HANDBRAKE PAD SET	XK150 - 150S	1
	011-587	NA	HANDBRAKE CABLE	XK120, ENV axle	1
	011-588	NA	HANDBRAKE CABLE	XK120 - 140, Salisbury axle	1
	011-589	NA	HANDBRAKE CABLE	early XK150	1
	011-595	NA	HANDBRAKE CABLE	late XK150 - 150S	2
17	180-860	\$28.99	BRAKE HOSE, ft & rear, 13-1/2"	} XK120 - 140	3
	180-861	\$19.49	BRAKE HOSE, ft & rear, aftermarket		3
	011-248	NA	BRAKE HOSE, front, 15-1/2"		} XK120, tandem
	011-605	NA	BRAKE HOSE, front, aftermarket	2	
	011-249	\$25.99	BRAKE HOSE, front	} XK150	2
	011-610	\$9.89	BRAKE HOSE, front, aftermarket		2
	180-850	NA	BRAKE HOSE, rear, 11-1/2"	} XK120, tandem	1
	180-851	\$19.49	BRAKE HOSE, rear, aftermarket		1
	513-332	\$31.49	BRAKE HOSE, rear	} XK150	1
	513-333	\$12.69	BRAKE HOSE, rear, aftermarket		1



No.	Part No.	Price (each)	Description	Application	Qty. Req.
-----	----------	--------------	-------------	-------------	-----------

### Master Cylinders

20	011-235	NA	MASTER CYLINDER	} late XK120 tandem system	1
21	510-251	\$49.99	REPAIR KIT (w/o tilt valves)		1
	510-258	NA	REPAIR KIT (with tilt valves)		1
	510-257	\$95.99	TILT VALVE		2
22	011-234	\$189.99	MASTER CYLINDER, standard system	} early XK120 & 140	1
23	510-240	\$29.99	REPAIR KIT, standard system		1
24	011-236	NA	MASTER CYLINDER, standard system	} XK150 - 150S	1
25	513-260	NA	REPAIR KIT,		1
	326-340	NA	CLIP, brake line retaining, replacement type		A/R



### Drum Brakes

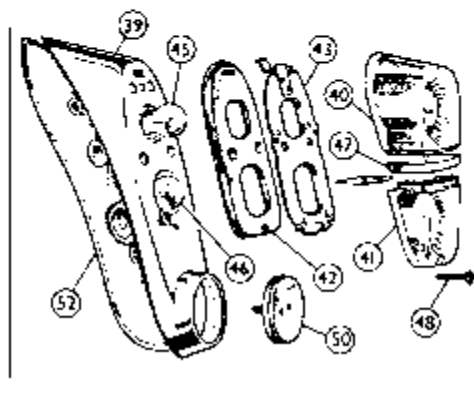
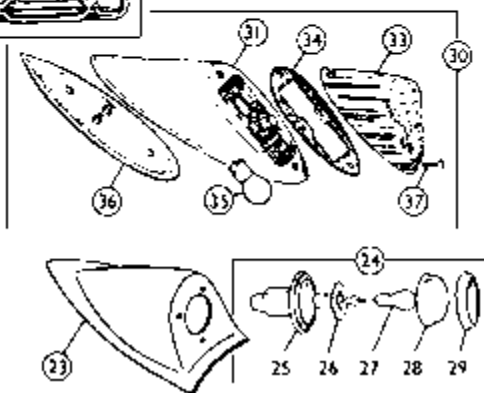
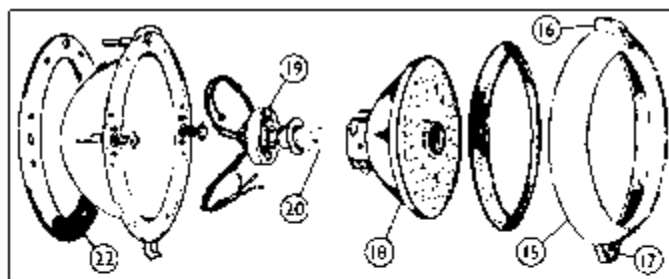
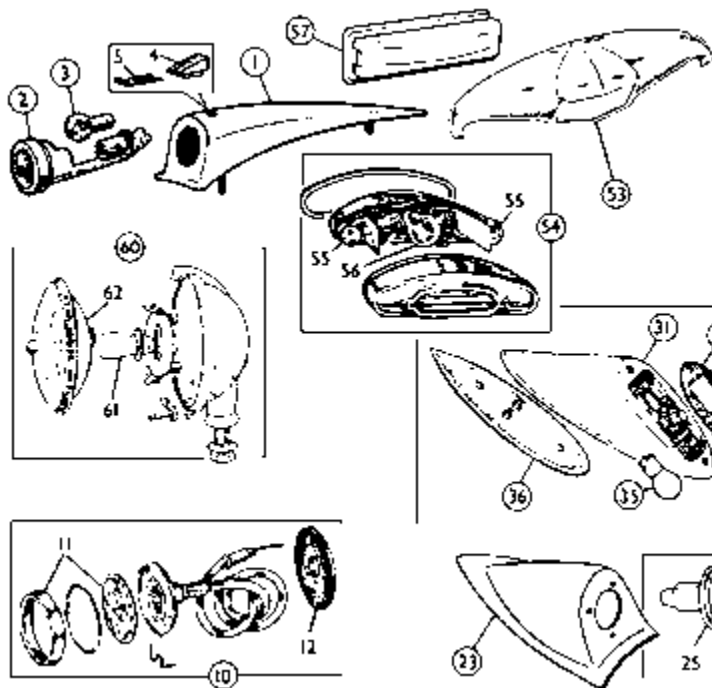
29	180-150	\$8.49	ADJUSTER, front	} early XK120	2
30	180-140	\$5.49	MASK, for adjuster		2
31	011-237	NA	WHEEL CYLINDER, front	} early XK120 (not illus.)	4
	011-238	NA	SEAL, front wheel cylinder		4
	011-239	\$64.99	WHEEL CYLINDER, front, self adj.	XK120 - 140 (illus.)	4
32	510-245	\$24.99	REPAIR KIT, front cylinder	all front cylinders	4
33	011-242	NA	WHEEL CYLINDER, rear	XK120, ENV axle	2
	011-243	NA	WHEEL CYLINDER, rear	XK120-140, Salisbury axle	2
34	510-255	\$19.99	REPAIR KIT, rear cylinder	all rear cylinders	2
37	181-340	\$1.49	SPRING, brake shoe steady	XK120 - 140	4



### Lockheed Brake Fluid

Recommended for your Jaguar's brake system, this genuine British premium grade brake fluid is supplied in a handy 500 ml. plastic bottle.

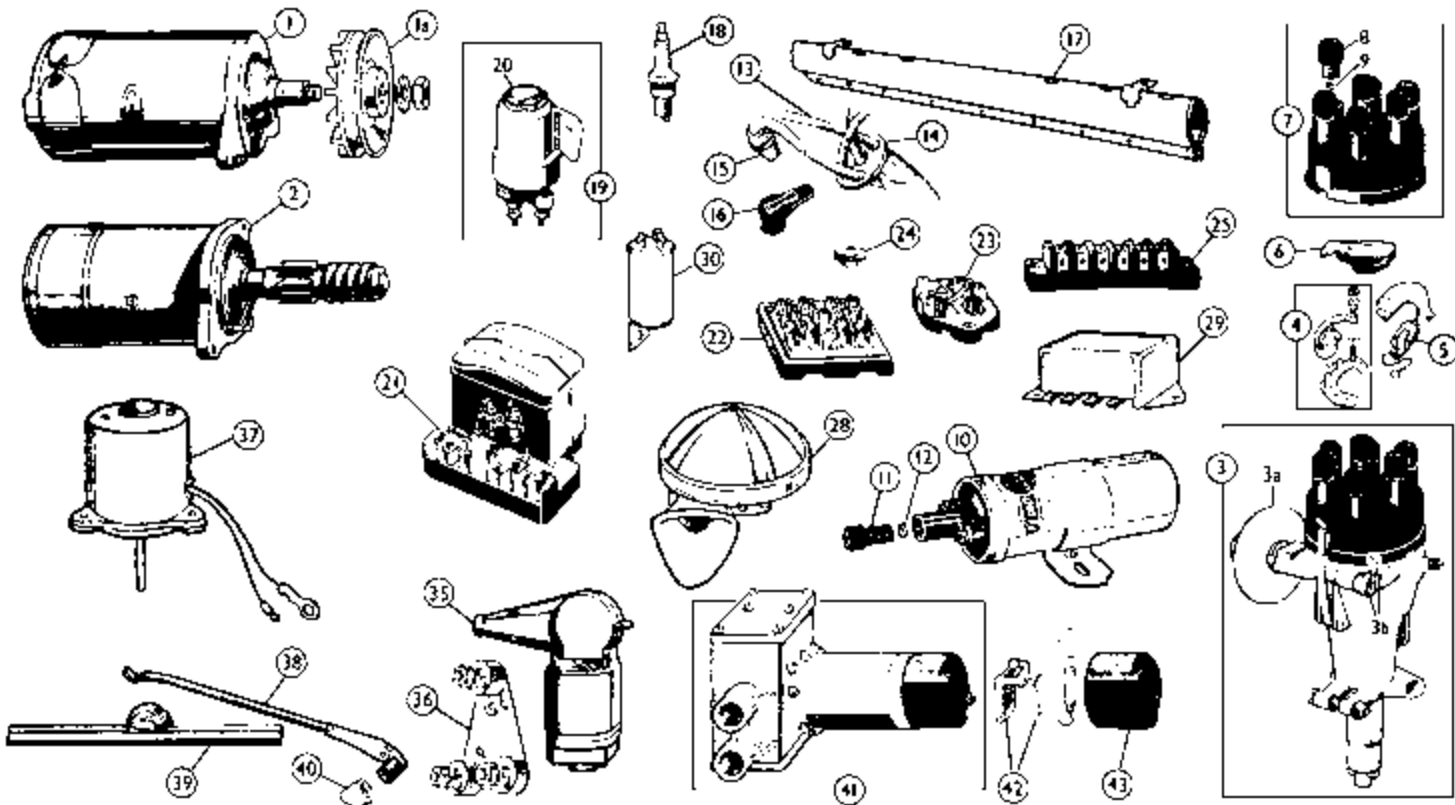
220-400 \$6.99



No.	Part No.	Price (each)	Description	Application	Qty. Req.
1	539-055	NA	HOUSING, chrome parking lamp	} early XK120	2
	011-819	NA	PAD, parking lamp housing		2
2	011-319	NA	LAMP, parking	early XK120, used with chrome housing	2
	011-320	NA	LAMP, parking	late XK120 thru 150	2
3	170-250	\$0.39	BULB, parking lamp	early XK120	2
	170-700	\$0.59	BULB, parking/flushing lamp	late XK120	2
	170-300	\$0.59	BULB, parking lamp	XK140 - 150	2
4	872-975	\$15.99	MEDALLION, red indicator		2
5	872-970	\$5.29	CLIP, for medallion		2
10	011-324	NA	LAMP, front flasher, clear	} XK140 - 150	2
11	011-325	NA	LENS AND RIM, clear		2
	539-130	NA	LENS AND RIM, amber		2
	011-300	NA	LENS, clear		2
	539-140	NA	LENS, amber		2
	170-800	\$0.79	BULB, flasher lamp		2
12	159-520	NA	PAD, lamp seating		2
15	560-490	NA	RIM, headlamp (#16, 17 not incl.)	XK120	2
	011-331	NA	RIM, headlamp (#16, 17 not incl.)	XK140-150	2
16	011-030	NA	MOTIF, upper, headlamp rim	XK120	2
	011-021	NA	MOTIF, upper, headlamp rim	XK140-150	2
17	011-022	NA	RETAINER, headlamp rim bottom	(all)	2
18	011-867	NA	LIGHT UNIT, original J-light	} XK140 - 150	2
19	011-868	NA	BULB ADAPTOR, J-light		2
	156-870	\$72.99	LIGHT UNIT, 7" tripod		2
	157-000	\$14.79	ADAPTOR, tripod unit		2
	170-600	\$8.99	BULB, tripod unit		2
	171-100	NA	LIGHT UNIT, sealed beam		2
	171-105	\$13.99	LIGHT UNIT, sealed beam, halogen		2
20	170-600	\$8.99	BULB, headlamp, non sealed-beam		2
22	011-805	\$10.99	MOUNTING RUBBER, headlamp	XK120	2
	011-806	\$34.99	MOUNTING RUBBER, headlamp	XK140 - 150	2
23	011-865	NA	HOUSING, tail lamp, L/H	} XK120	1
	011-866	NA	HOUSING, tail lamp, R/H		1
	143-700	\$24.79	LAMP, stop/tail		2
	280-520	\$3.79	RUBBER BODY		2
	158-300	\$16.49	SOCKET		2
	170-700	\$0.59	BULB		2
	164-300	\$6.49	LENS		2
	158-400	\$3.39	CHROME RIM		2
	011-820	NA	PAD, stop/tail lamp housing		2

No.	Part No.	Price (each)	Description	Application	Qty. Req.
30	011-860	NA	LAMP ASS'Y., stop/tail, L/H	} XK140 - early XK150	1
	011-861	NA	LAMP ASS'Y., stop/tail, R/H		1
	011-059	NA	HOUSING, L/H taillamp		1
	011-060	NA	HOUSING, R/H taillamp		1
	159-200	NA	LENS, "Lucas" branded repro.		2
	159-210	\$9.99	LENS, aftermarket		2
	159-100	\$2.69	PAD, lens		2
	170-700	\$0.59	BULB		2
	011-823	\$24.39	PAD, stop/tail lamp housing		2
	323-420	\$2.59	SCREW, lens fixing		4
39	011-049	NA	HOUSING, L/H taillamp	} late XK150	1
	011-050	NA	HOUSING, R/H taillamp		1
	031-983	\$19.99	LENS, rear flasher, red		2
	539-150	NA	LENS, rear flasher, amber		2
	031-984	NA	LENS, stop/tail		2
	031-051	NA	PAD, lens		2
	031-863	NA	PLATE, tail lamp lens		2
	170-800	\$0.79	BULB, flasher		2
	170-700	\$0.59	BULB, stop/tail		2
	560-460	NA	CHROME CLIP		2
	158-000	\$2.49	SCREW, lens fixing	2	
	560-470	NA	REFLECTOR	2	
	011-748	NA	PAD, tail lamp housing, L/H	1	
	011-824	NA	PAD, tail lamp housing, R/H	1	
53	011-884	NA	HOUSING, license & back-up lamp	} XK150	1
	011-685	\$8.99	GASKET, back-up lens		1
54	011-680	\$279.99	LAMP, license & back-up	XK120 - 140	1
55	170-250	\$0.39	BULB, license lamp	} XK120 - 150	2
56	170-800	\$0.79	BULB, back-up lamp		1
57	011-832	NA	LAMP, interior	XK150, DHC & FHC	1
	011-297	NA	BULB, interior lamp	all interior lamps	A/R
	171-000	\$0.89	BULB, instrument & warning lamp	for orig. harnesses only	A/R
	170-100	\$0.59	BULB, instrument & warning lamp	for new harnesses only	A/R
60	162-700	\$149.99	DRIVING LAMP ASS'Y., clear lens	} factory option	1
	162-800	\$149.99	FOG LAMP, clear/fluted lens		1
	170-500	\$5.89	BULB, driving lamp	} XK140-150	1
	170-510	\$4.19	BULB, fog lamp		1
	157-200	\$61.99	LENS, clear white		1
	157-100	\$59.99	LENS, clear/fluted		1

# XK Electrical



No.	Part No.	Price (each)	Description	Application	Qty. Req.
1	540-350	NA	GENERATOR, rebuilt	XK120 - 150	1
	872-470	\$12.49	BRUSH SET, generator #22429 & 22462	1949 - '58	1
	011-264	\$9.59	BRUSH SET, generator #22496	1959 - '60	1
	125-100	\$8.79	BEARING, generator, commutator end		1
	125-200	\$8.89	BEARING, generator, drive end		1
1a	011-064	NA	FAN/PULLEY	XK120	1
2	011-269	NA	STARTER, #26062, new	{ standard transmission except early XK120	1
	011-270	NA	STARTER, auto trans., new	XK150	1
	540-400	NA	STARTER, rebuilt	late XK120 - 150, '53 on	1
	149-620	\$13.99	BRUSH SET, starter		1
	149-400	\$3.99	BUSHING, commutator end	all standard trans.	1
	549-530	\$1.99	BUSHING, commutator end	XK150, auto trans.	1
	011-275	NA	ARMATURE, starter		1
	150-300	\$5.99	BUSHING, drive end	all standard trans.	1
	011-273	NA	BUSHING, drive end	XK150, auto trans.	1
3	011-261	NA	DISTRIBUTOR	XK150, 8.1:1 engines	1
3a	551-070	NA	VACUUM ADVANCE UNIT	XK150	1
3b	163-738	\$12.99	ADJUSTER KIT (nut, spring, ratchet, shaft end clip)		1
4	152-210	\$4.99	POINT SET, Lucas	XK120 - 140	1
	872-862	\$11.99	POINT SET, Lucas	} XK150	1
	872-861	\$5.89	POINT SET, aftermarket		1
5	872-721	\$8.99	CONDENSER	XK120 - 140	1
	154-001	\$8.99	CONDENSER, premium quality	XK150	1
6	872-785	\$6.99	ROTOR, premium replacement		1
	872-790	\$3.39	ROTOR, Lucas		1
	872-795	\$4.49	ROTOR, aftermarket		1
7	872-725	\$37.99	CAP	} XK120 - 140	1
8	152-510	\$0.99	NUT		7
9	146-310	\$0.24	WASHER, brass		7
	872-800	\$29.99	CAP	XK150	1
10	143-201	\$42.99	SPORTS COIL (push-on H.T. connection), Intermotor brand		1
	543-020	\$32.99	COIL, H.T. screw connection (repro.)		1
11	152-400	\$1.29	NUT, H.T. lead		1
12	146-310	\$0.24	WASHER, brass		1
13	011-287	\$89.99	IGNITION WIRE SET, with clips, nuts, washers, & separators		1
14	546-160	\$9.99	SEPARATOR, ignition wires, thick		1
	546-170	\$9.99	SEPARATOR, ignition wires, thin		1
15	171-530	\$7.99	CLIP, spark plug		6
16	171-625	NA	CLIP, spark plug, "Champion" (repro.)		6
17	031-923	\$56.99	CARRIER, ignition wires		1

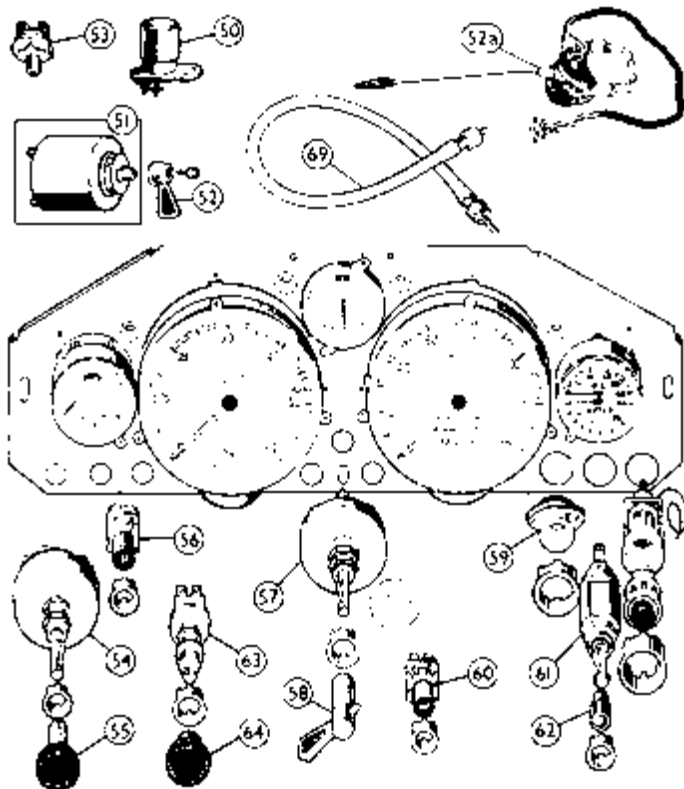
No.	Part No.	Price (each)	Description	Application	Qty. Req.
18	152-110	\$2.89	SPARK PLUG, Champion, 1/2" reach	} early XK120	6
	152-111	\$2.99	SPARK PLUG, Champion, resistor		6
	860-051	\$2.89	SPARK PLUG, Champion, 3/4" reach		6
	860-055	\$2.99	SPARK PLUG, Champion, resistor	} late XK120-150	6
19	546-020	\$19.79	SOLENOID, starter, replacement		1
20	546-025	\$1.69	RUBBER BOOT, starter solenoid, replacement		1
	011-749	\$13.99	RUBBER BOOT, starter solenoid, orig. style		1
21	141-900	\$269.99	REGULATOR, voltage, 9 post	} XK120, 1949 - '54	1
	141-920	NA	COVER, 9 post regulator		1
	142-045	\$36.99	REGULATOR, voltage, 5 post, repl.		XK140-150, 1955-mid '59
	142-050	\$30.99	REGULATOR, voltage, aftermarket	XK150 mid 1959 on	1
22	011-800	\$229.99	FUSE BOX, 4 fuse	(all)	1
23	162-500	\$9.99	FUSE BOX, 2 fuse	XK140 - 150	1
24	011-053	NA	KNOB for 4-fuse fuse box	(all)	1
	146-700	\$0.39	FUSE, 35 amp		A/R
	146-800	\$0.39	FUSE, 50 amp		A/R
25	031-860	NA	TERMINAL BLOCK	XK150	1
28	165-700	\$49.99	HORN, high note	} reproduction of original } Lucas "Windtone" horns	1
	165-800	\$49.99	HORN, low note		1
29	141-400	\$89.99	FLASHER RELAY, 8 terminal	upgraded repro.	1
30	141-750	\$8.49	FLASHER, original type		1
35	546-060	NA	WIPER MOTOR ASS'Y.	} XK120	1
	145-390	NA	MOTOR UNIT w/o gear head		1
	546-080	NA	WIPER MOTOR ASS'Y.	XK150	1
36	011-814	\$29.99	MOUNTING PAD, wiper motor	XK120 - 140	1
37	031-859	NA	HEATER MOTOR	XK150	1
38	011-327	\$11.99	WIPER ARM, R/H	} XK120 - 140, 1949-'55	1
	011-326	\$11.99	WIPER ARM, L/H		nut type
	011-329	\$11.99	WIPER ARM, R/H	} XK140, 1956 - '57	1
	011-328	\$11.99	WIPER ARM, L/H		spline type
	011-293	NA	WIPER ARM	XK150	2
39	011-289	\$5.99	WIPER BLADE	XK120 - 140	2
	874-615	NA	WIPER BLADE	XK150	2
40	011-024	NA	BEZEL, wiper wheelbox	XK140-150	2

**MOSS**

**MOSS MOTORS, LTD.**  
TOLL-FREE ORDERS

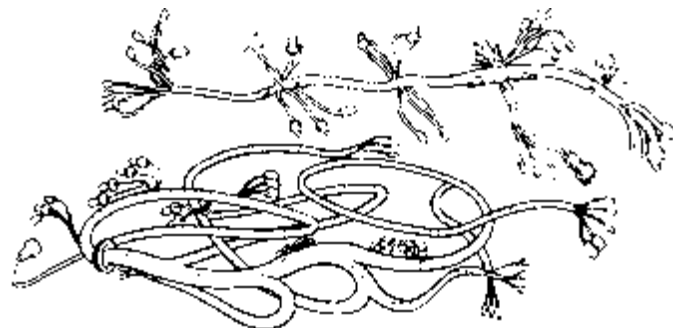
**1-800-667-7872**

No.	Part No.	Price (each)	Description	Application	Qty. Req.
41	377-085	\$482.99	FUEL PUMP, orig. type S.U.	(all)	1/2
	985-505	NA	FUEL PUMP, replacement	(plastic body)	1/2
42	377-080	\$20.49	POINT SET		1/2
	377-140	\$49.99	DIAPHRAGM, 2 15/16" shaft		1/2
	377-130	\$46.99	DIAPHRAGM, 2 3/8" shaft		1/2
43	377-120	\$11.39	CAP		1/2



No.	Part No.	Price (each)	Description	Application	Qty. Req.
<b>Switches</b>					
50	140-900	\$29.89	SWITCH, headlight dimmer		1
51	162-400	\$139.99	SWITCH, turn signal, on dash	XK140 - 150	1
52	011-063	NA	HANDLE, turn signal switch	XK140 roadster	1
	011-062	NA	HANDLE, turn signal switch	{ XK140 DHC and FHC early XK150 DHC/ FHC	1
52a	011-294	NA	SWITCH, turn signal (on column)	late XK150	1
53	141-700	\$7.99	SWITCH, stop light		1
	011-280	NA	SWITCH, wiper	XK120, 1949 - '52	1
	011-296	NA	SWITCH, wiper	XK120, 1953 - '54	1
54	011-282	NA	SWITCH, wiper	XK140 - 150	1
55	011-980	NA	KNOB, wiper switch (plain)	XK120 - 140, 1953 - '57	1
	011-981	NA	KNOB, wiper switch ("HNP")	XK150	1
56	011-280	NA	SWITCH, panel light	XK120, 1949 - '52	1
	011-286	NA	SWITCH, panel light	XK120, 1953 - '54	1
	011-314	NA	SWITCH, panel light	XK140 - 150	1
57	011-288	NA	SWITCH, headlight	XK120, 1949 - '52	1
	011-292	NA	SWITCH, headlight	XK120, 1953 - '54	1
	011-285	NA	SWITCH, headlight	XK140 - 150	1
58	011-061	NA	LEVER, lighting switch	(locking pin hole in side)	1
	011-046	NA	LEVER, lighting switch	(locking pin hole at back)	1
59	031-978	NA	SWITCH, ignition, does not include lock barrel and keys		1
	163-500	\$5.89	BARREL AND KEYS, ignition switch		1
60	031-979	NA	SWITCH, interior light	XK150, DHC and FHC	1
		NA	SWITCH, starter, on dash	XK120 1949 - '52	1
61	542-000	\$33.99	SWITCH, starter, on dash	{ XK120 1953 - '54,	1
62	550-000	\$4.89	KNOB, starter switch	XK140 - 150	1

No.	Part No.	Price (each)	Description	Application	Qty. Req.
63	635-180	\$138.99	SWITCH, heater	XK120	1
64	635-205	\$3.79	KNOB, heater switch	push-on type	1
	635-195	\$3.49	KNOB, heater switch	screw type	1
	031-980	NA	SWITCH, overdrive	XK140 - 150	1
69	011-250	NA	CABLE, speedo drive, 65"	XK120 to Jan. '52	1
	011-207	\$27.99	CABLE, speedo drive, 60" standard transmission	{ XK120 - 150 from Feb. '52	1
011-208	\$27.99	CABLE, speedo drive, 57"	O/D trans. XK140 - 150	1	
011-209	NA	CABLE, speedo drive, 54"	auto. trans. XK140 - 150	1	
031-856	NA	ANGLE DRIVE, speedo cable	O/D only	1	
011-210	NA	CABLE, tach drive, 24"	XK120 Rd. to May '50	1	
011-211	NA	CABLE, tach drive, 18"	{ XK120 Rd. from June '50 thru Jan. '52	1	
011-258	\$27.99	CABLE, tach drive, 19"	XK120 Rd. from Feb. '52	1	
011-260	NA	CABLE, tach drive, 16"	XK120, FHC and DHC	1	
011-212	\$27.99	CABLE, tach drive, 21"	XK140 Rd.	1	
011-259	NA	CABLE, tach drive, 13"	XK140, FHC	1	
011-258	\$27.99	CABLE, tach drive, 19"	XK140, DHC	1	
011-214	\$24.99	CABLE, tach drive, 16"	XK150 to mid '59 (late 150s have electric tach.)	1	

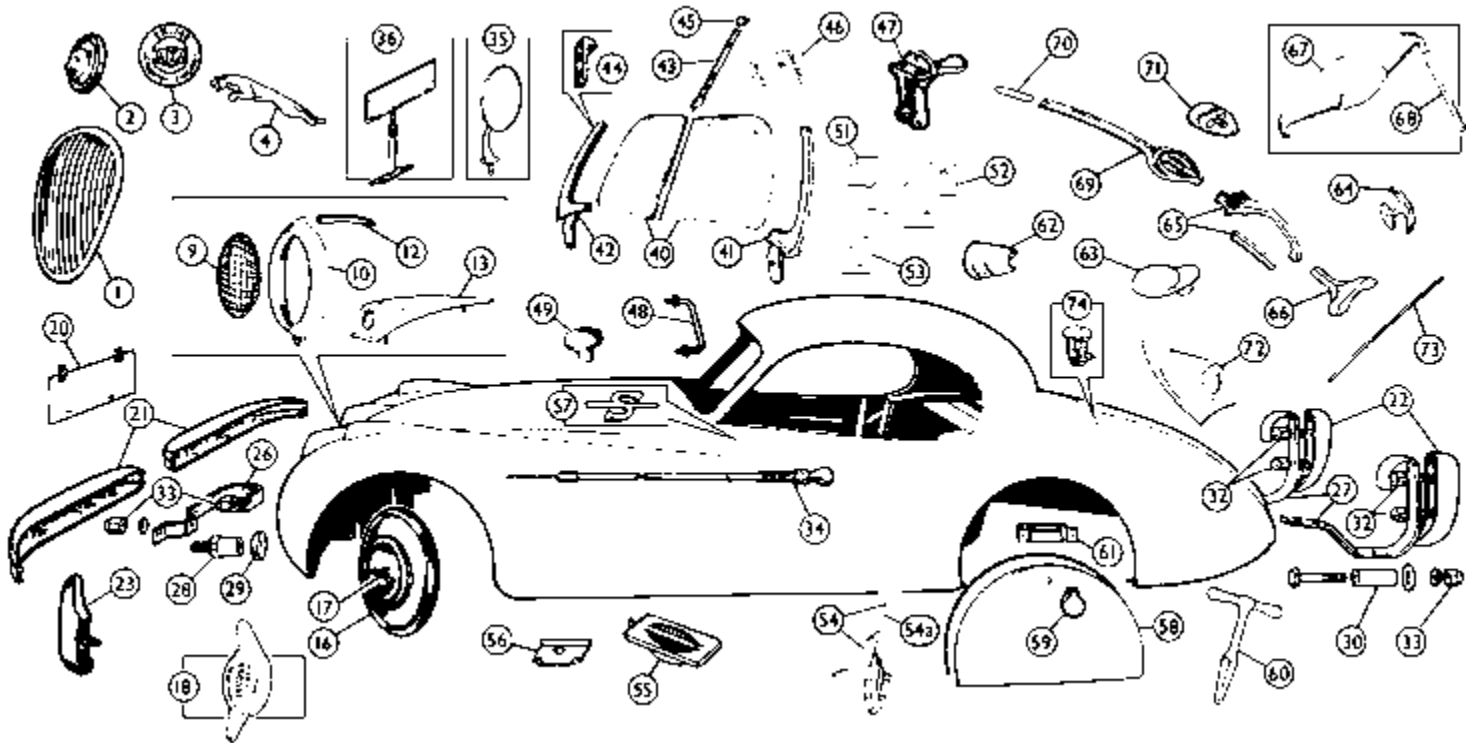


### Wiring Harnesses

All of our wiring harnesses now feature original-style braided cloth binding over your choice of original lacquer-braided or PVC-covered individual wires. Both types are color-coded to original specifications, and include required sub-harnesses. (Ignition wires, battery cables, headlamp pigtails and overdrive wiring are not included.)

357-110	NA	WIRING HARNESS (lacquer-braid)	{ early XK120 with chrome parking lamps	1
356-220	\$679.99	WIRING HARNESS (braid/PVC)	{ (no turn sig. relay)	1
357-120	NA	WIRING HARNESS (lacquer-braid)	{ later XK120	1
356-230	\$769.99	WIRING HARNESS (braid/PVC)	{ (cars with turn sig. relay)	1
357-130	\$799.99	WIRING HARNESS (lacquer-braid)	{ XK140	1
356-240	NA	WIRING HARNESS (braid/PVC)		1
357-140	NA	WIRING HARNESS (lacquer-braid)	{ XK150 with single bulb	1
356-250	\$799.99	WIRING HARNESS (braid/PVC)	{ tail lamps	1
357-150	NA	WIRING HARNESS (lacquer-braid)	{ XK150 with double bulb	1
356-400	\$879.99	WIRING HARNESS (braid/PVC)	{ tail lamps	1

# XK Body Fittings



No.	Part No.	Price (each)	Description	Application	Qty. Req.
1	011-870	NA	GRILLE ASS'Y., exact repro.	XK120	1
	011-416	NA	GRILLE ASS'Y., exact repro.	XK140	1
	011-878	NA	GRILLE ASS'Y., exact repro.	XK150	1
2	011-713	NA	BADGE, hood	XK120	1
3	011-714	NA	BADGE, hood	XK140	1
	601-220	NA	BADGE, hood	} XK150	1
	601-230	NA	CHROME BOSS, hood badge		1
4	011-706	\$68.69	JAGUAR MASCOT	XK150, option	1
9	222-100	\$10.89	STONEGUARDS, pair	(except XK120 with flat tripod lights)	1
10	560-490	NA	RIM, headlamp	XK120	2
	011-331	NA	RIM, headlamp	XK140 - 150	2
12	011-810	NA	MOTIF, headlamp		2
13	539-055	NA	HOUSING, parking lamp, chrome	early XK120	2
16	011-758	NA	HUB CAP, without medallion	} XK120 - 150	4
17	011-759	NA	MEDALLION, hub cap		4
	326-520	\$0.24	SPEED NUT, medallion securing		8
18	011-880	\$89.99	EARED KNOCK-OFF, R/H	} wire wheels	2
	011-881	\$89.99	EARED KNOCK-OFF, L/H		2
20	011-885	NA	MOUNTING PLATE, front license	} XK120	1
21	011-056	NA	BUMPER, front (half)		2
22	011-047	NA	OVERRIDER, rear		2
	011-364	\$259.99	OVERRIDER, L/H rear	} XK140 - early XK150	1
	011-368	\$259.99	OVERRIDER, R/H rear		1
	011-374	\$259.99	OVERRIDER, rear	late XK150	2
23	011-354	NA	OVERRIDER, front	XK140-150	2
26	011-393	NA	BRACKET, front bumper	} XK120	2
27	011-394	NA	BRACKET, rear bumper		2
28	011-731	\$27.99	EXTENSION, threaded		4
29	011-739	\$9.99	WASHER, tapered		4
30	011-737	\$14.99	SPACER, rear bumper		2
32	011-738	\$9.99	BUMPER DOME NUT, small		4
33	011-732	\$14.99	BUMPER DOME NUT, large		6
34	011-600	NA	CABLE, hood release	XK120 - 140	1
	011-601	NA	CABLE, hood release	XK150	1
35	165-210	\$22.99	FENDER MIRROR, R/H, convex	} repro. of 'small' 4 1/8" Lucas fender mirrors	1
	165-300	\$22.99	FENDER MIRROR, L/H, convex		1
	165-400	\$19.49	FENDER MIRROR, R/H, flat		1
	165-500	\$19.49	FENDER MIRROR, L/H, flat		1

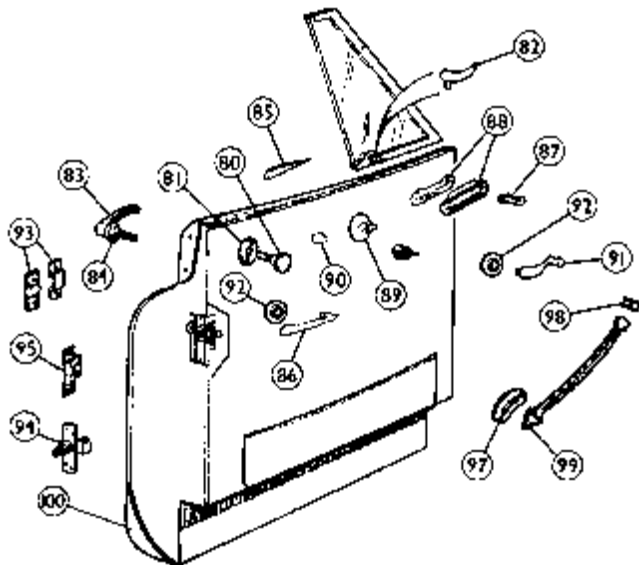
No.	Part No.	Price (each)	Description	Application	Qty. Req.
36	633-550	NA	INTERIOR MIRROR, 4" stem	XK120 rdstr.	1
	633-570	NA	INTERIOR MIRROR, 1" stem	XK120 DHC & FHC	1
	633-580	NA	INTERIOR MIRROR	XK140	1
	011-682	NA	INTERIOR MIRROR	XK150 FHC	1
	011-684	NA	INTERIOR MIRROR	XK150 DHC	1
40	NA	NA	WINDSHIELD	XK120 - 140	1
	011-905	NA	WINDSHIELD	all XK150	1
41	805-280	NA	SIDE PILLAR, windshield, L/H	} XK120 - 140 rdstr.	1
42	805-290	NA	SIDE PILLAR, windshield, R/H		1
43	011-051	NA	CENTER PILLAR, windshield		1
44	805-370	NA	HOOK, windshield side pillars		2
45	011-020	NA	HOOK, windshield center pillar		1
46	011-026	NA	MOUNTING PLATE, side hooks	} XK120-140 DHC	2
	011-025	NA	MOUNTING PLATE, center hook		1
	011-027	NA	MOUNTING PLATE, L/H & R/H	XK150 DHC	2
47	805-345	\$129.99	TOP LATCH, L/H	} XK120 - 140 rdstr.	1
	805-360	\$129.99	TOP LATCH, center		1
	805-345	\$129.99	TOP LATCH, R/H		1
	805-450	NA	TOP LATCH, L/H	} XK120 - 140 DHC	1
	805-470	NA	TOP LATCH, center		1
	805-460	NA	TOP LATCH, R/H		1
	011-037	NA	TOP LATCH, L/H & R/H	XK150 DHC	2
48	011-057	NA	GRAB HANDLE	XK120 - 140 rdstr.	1
	011-019	NA	GRAB HANDLE	XK150	1
49	011-052	NA	KNOB, heater control valve	XK120 - 140	1
51	011-048	NA	FINISHER PAIR, windshield trim	XK120 - 140 DHC	1
52	011-031	NA	FINISHER, bottom of top frame trim, L/H	} XK120 DHC	1
	011-032	NA	FINISHER, bottom of top frame trim, R/H		1
53	011-033	NA	FINISHER, top of B-post trim, L/H		1
	011-034	NA	FINISHER, top of B-post trim, R/H		1
54	011-036	NA	CLAMP, holds top in down position		2
	011-038	NA	CLAMP, holds top in down position, L/H	} XK140-150 DHC	1
	011-039	NA	CLAMP, holds top in down position, R/H		1
54a	011-028	NA	HOOK	all DHC	2
55	011-876	NA	JACK HOLE COVER, black	all models	2
56	011-815	NA	PLATE, floorboard fastener	XK120 - 140	22

**MOSS** **MOSS MOTORS, LTD.** **TOLL-FREE ORDERS 1-800-667-7872**

# XK Body Fittings

No.	Part No.	Price (each)	Description	Application	Qty. Req.
57	805-320	NA	DOOR BADGE, L/H	}XK150S	1
	805-330	NA	DOOR BADGE, R/H		1
58	856-138	NA	FENDER SKIRTS, pair	}XK120 with disc wheels	1
59	407-510	\$10.49	LOCK COVER, rear fender skirt		2
60	386-810	\$7.99	T-KEY, fender skirt lock		1
61	802-420	\$12.79	LOCK, fender skirt, L/H		1
	802-430	\$12.79	LOCK, fender skirt, R/H		1
62	011-790	NA	END PLUG, cockpit trim	}XK120 - 140 rdstr.	8
63	470-747	\$4.79	TEARDROP RETAINER, top		2
64	011-724	\$87.99	TRUNK HANDLE, w/lock and keys	XK120	1
65	031-977	NA	TRUNK HANDLE, without lock	XK140	1
	011-725	NA	TRUNK HANDLE, without lock	XK150	1
66	011-754	NA	BRACKET, license plate lamp	XK140	1
67	011-884	NA	HOUSING, license plate lamp	}XK150	1
68	805-400	NA	SIDE MOULDING, license plate		2
69	011-879	NA	REAR DECK TRIM	XK140	1
	011-877	NA	REAR DECK TRIM	XK150	1
70	805-440	NA	TRIM, upper piece, 3 1/16" long	XK140 DHC & FHC	1
71	011-712	NA	BADGE, "Winner LeMans 1951-'53"	XK140	1
	601-240	NA	BADGE, rear trunk lid	XK150	1
72	011-865	NA	HOUSING, tail light, L/H	}XK120	1
	011-866	NA	HOUSING, tail light, R/H		1
	011-059	NA	HOUSING, tail light, L/H	}XK150	1
	011-060	NA	HOUSING, tail light, R/H		1
73	805-560	NA	CHROME BEADING, license plate panel	XK140	1
74	805-570	NA	LOCK ASS'Y., fuel filler door, w/ 2 keys	all	1

No.	Part No.	Price (each)	Description	Application	Qty. Req.
85	011-035	NA	FINGER PULL, on doors	XK120 - 140 DHC	2
86	805-310	NA	HANDLE, interior door	XK120 DHC & FHC	2
87	805-480	NA	KNOB, interior door, L/H	}XK140 DHC and FHC, all 150	1
	805-490	NA	KNOB, interior door, R/H		1
88	011-070	NA	ESCUTCHEON SET, door knob		2
89	805-520	NA	KNOB, safety catch, L/H	}XK120 - 140 rdstr.	1
	805-530	NA	KNOB, safety catch, R/H		1
90	011-029	NA	KNOB, door ashtrays	late XK150	2
91	805-430	NA	HANDLE, window winder	XK120 - 150 DHC / FHC	2
92	470-600	\$14.49	ESCUTCHEON w/spring, handles	XK120 - 140 DHC / FHC	4
93	805-558	NA	STRIKER AND BUFFER (pair)	XK120-140 rdstr.	2
94	805-410	NA	STRIKER, L/H	EXK120 - 140	1
	805-420	\$149.99	STRIKER, R/H	RDHC and FHC	1
95	803-115	NA	STRIKER PLATE, door	}XK120 - 140 rdstr.	2
97	031-052	\$27.99	COVER PLATE, door lock		2
98	011-705	NA	PLATE, interior door lanyard		2
99	011-765	NA	CLIP, door lanyard		2
100	011-055	NA	CRESCENT, door shut face	XK140 - 150	2



## Door Fittings

80	011-720	NA	KNURLED BOLT, side curtain	}XK120 - 140 rdstr.	4	
81	011-708	\$5.99	WASHER, knurled clamp bolt		4	
82	470-590	\$31.99	HANDLE, vent window, L/H	}XK120 - 140 DHC	1	
	470-580	\$31.99	HANDLE, vent window, R/H		1	
83	805-500*	\$94.99	HANDLE, exterior door	}XK120 DHC & FHC & 140 DHC	2	
	805-510*	NA	HANDLE, exterior door		XK140 FHC	2
	011-711*	NA	HANDLE, exterior door		all XK150	2
* Note: Supplied without lock assembly.						
84	011-071	NA	ESCUTCHEON, L/H door handle	}XK120-140 DHC & FHC	1	
	011-072	NA	ESCUTCHEON, R/H door handle		1	

## Information Plates and Decals

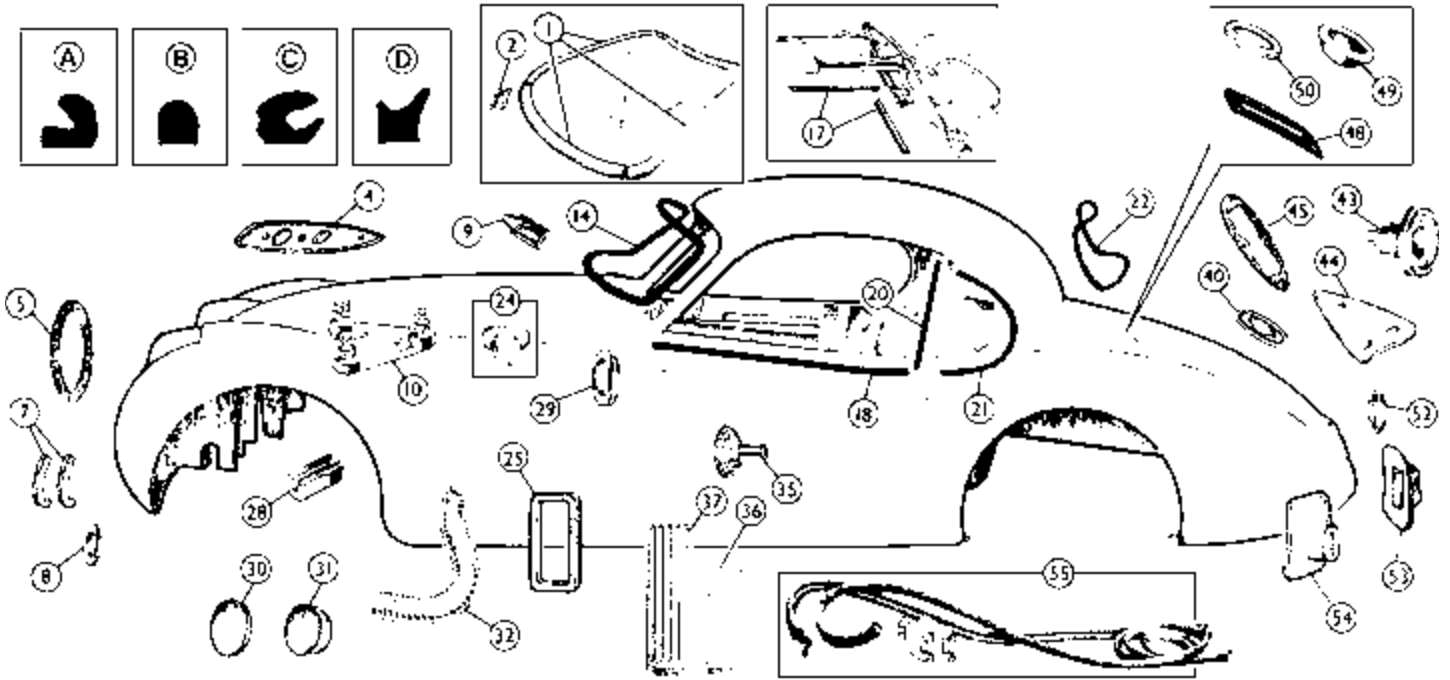
1	011-709	\$28.99	CHASSIS PLATE, brass	XK120 - 140	1
	011-710	\$17.49	CHASSIS PLATE, aluminum	XK150	1
2	011-717	NA	DASH PLAQUE, 132 m.p.h.	XK120, 1950 - '53	1
	011-718	\$16.99	DASH PLAQUE, 141 m.p.h.	XK120 - 140, 1954 on	1
4	011-719	NA	DECAL, running-in instructions	(two sided)	1
5	011-707	\$5.49	DECAL, windshield washer bottle		1
6	215-630	\$2.49	LUCAS COIL DECAL		1
7	215-640	\$1.99	WIRING HARNESS LABEL		1
8	011-716	\$4.19	AC AIR CLEANER DECAL (rectangular)		1/2
	011-715	\$4.49	AC AIR CLEANER DECAL (round)		1/2
9	215-210	\$7.39	GIRLING SHOCK DECAL		A/R

LOCAL & OVERSEAS: 805-681-3400  
 FAX: 805-692-2525 www.mossmotors.com





# XK Rubber



No.	Part No.	Price (each)	Description	Application	Qty. Req.
	011-951*	NA	MASTER GROMMET SET	XK120, 34 pcs.	1
	011-952*	NA	MASTER GROMMET SET	XK140, 44 pcs.	1
	011-953*	NA	MASTER GROMMET SET	XK150, 42 pcs.	1
* MASTER GROMMET SETS – complete sets of grommets for the entire car, including all specialized grommets for firewall, chassis, and body. Kits include detailed lists explaining where all grommets are fitted.					
1	011-744	NA	COCKPIT RUBBER, sold per foot	} XK120 - 140 rdstr.	20
2	011-729	\$15.99	PILLAR PAD, windshield		2
4	011-819	NA	PAD, front fender lamp	early XK120	2
5	011-805	\$10.99	MOUNTING RUBBER, headlamp	XK120	2
	011-806	\$34.99	MOUNTING RUBBER, headlamp	} XK140 - 150	2
7	011-730	NA	OVERRIDE BEADING, 8 strips		1
8	011-812	\$5.89	PAD, front bumper taper washer	} XK120	2
9	011-751	NA	GROMMET, w/s wiper shaft		2
10	011-814	\$29.99	MOUNT, wiper motor	XK120 - 140	1
14	011-910	\$119.99	SEAL, windshield	XK120-140 DHC & FHC from (c)680497	1
	011-908	NA	SEAL, windshield	XK150	1
	282-485	\$5.89	LOCKING STRIP for w/s seal		1
17	011-817	NA	TOP SEAL, sold per foot	all DHC	A/R
18	011-747	NA	SEAL, door top to window	XK150 rdstr.	2
20	011-742	\$5.99	SEAL, rear door glass frame	all FHC	2
21	680-900	\$29.99	SEAL, rear quarter window, pair	XK140 - 150 FHC	1
22	011-909	NA	SEAL, rear window	XK140 FHC	1
	011-736	NA	SEAL, rear window	XK150 FHC	1
24	011-734	\$1.79	BUFFER, front hood		6/10
25	011-829	\$5.99	SEAL, fender vent	XK120 - early XK150	2
28	681-140	NA	RETAINER, hood prop rod		1
29	681-170	\$9.99	GROMMET, steering column	XK120	1
30	681-160	\$7.99	PLUG, chassis bolt hole	XK140 - 150	4
31	681-150	NA	PLUG, oil press. and temp. lines		1
32	635-030	\$10.89	DEFROSTER HOSE		2
35	011-745	NA	PEDAL GROMMET	XK120	2
	682-060	NA	PEDAL GROMMET	XK140	2
36	011-728	\$14.99	PEDAL PAD, clutch/brake	XK120 - 140	2
	011-750	\$8.89	PEDAL PAD, clutch/brake	XK150	2
37	011-726	\$13.99	PEDAL PAD, gas, 6 3/4" x 1 1/2"	XK120 - 140	1
	011-727	NA	PEDAL PAD, gas, 10" x 1 1/2"	XK150	1
40	011-825	NA	PAD, trunk handle	} XK120	1
43	280-520	\$3.79	BOOT, tail lamp		2
44	011-820	NA	PAD, tail lamp housing		2
	011-823	\$24.39	PAD, tail lamp housing	XK140 - early 150	2

No.	Part No.	Price (each)	Description	Application	Qty. Req.
	011-748	NA	PAD, tail lamp housing L/H	} late XK150	1
	011-824	NA	PAD, tail lamp housing R/H		1
45	159-100	\$2.69	PAD, tail lamp lens	XK140 - early 150	2
48	011-816	\$9.99	SEAL, gas cap door		1
49	682-170	NA	SEAL, fuel tank cap		1
50	011-982	NA	SEAL, fuel tank cap	XK150	1
52	011-818	\$12.79	GROMMET, rear bumper ext. tube	XK120	2
53	011-826	\$3.99	BUMPER GROMMET, inner	} XK140 - 150	2
54	011-828	\$3.99	BUMPER GROMMET, outer		2
55	249-808	\$44.99	DOOR SEAL, black	} XK150	A/R
	249-818	\$44.99	DOOR SEAL, red		A/R
	249-828	NA	DOOR SEAL, fawn		A/R
	249-838	NA	DOOR SEAL, blue		A/R
Note: This is the original style door seal which incorporates separate furlex and neoprene seals with 12 securing clips supplied per yard. Priced and sold by the yard.					
A	011-733*	\$5.39	SEAL, door sill*	XK120 - 140 - 150	6
B	011-746*	NA	SEAL, door shut face pillar*	XK140 except rdstr.	6
A	011-733*	\$5.39	SEAL, door hinge pillar*	{ XK120 rdstr. - FHC XK140 rdstr. - FHC	4
					6
A	011-733*	\$5.39	SEAL, frt. luggage compartment*	XK120 rdstr. - FHC	3
B	011-746*	NA	SEAL, windshield to cowl*	XK120 - 140 rdstr.	4
C	011-743*	\$5.99	SEAL, trunk lid*	{ XK120 rdstr. from (c)67001 to (c)674940	9
D	011-741*	\$1.79	SEAL, trunk lid*	{ XK120 rdstr. from (c)674941 on	9
C	011-743*	\$5.99	SEAL, trunk lid*	XK120 FHC - DHC	9
C	011-743*	\$5.99	SEAL, trunk lid*	XK140	11
B	011-746*	NA	SEAL, trunk lid*	XK150	8

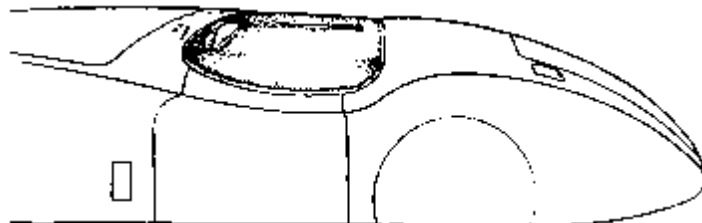
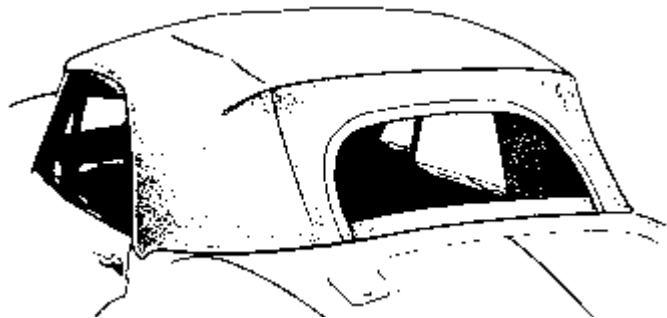
\*Note: Extruded rubber seals are priced and sold by the running foot. The number in the quantity column indicates the number of feet required for your car.



MOSS MOTORS, LTD.  
TOLL-FREE ORDERS

1-800-667-7872

# XK Tops / Tonneau Covers



Moss tops and tonneau covers are available in heavy crush-grain vinyl or Robbins "Stayfast" canvas. This unique solution-dyed acrylic canvas is extremely fade-resistant, stays soft and flexible under almost all conditions, and is highly resistant to sagging, billowing and shrinking. XK120 and 140 tops are supplied with either heat-welded plastic windows or solid zippered window panels which allow installation of original windows and frames.

Our XK120 tops are the later style, mounting approximately twelve inches behind the tonneau rail. The early style XK120 tops that mount about 7 inches behind the tonneau rail are not currently available.

## Tops

011-462*	\$847.99	TOP, black Stayfast canvas	XK120 -140 roadster blank zippered panel included must use original window	1
011-463*	\$847.99	TOP, tan Stayfast canvas		1
011-464*	\$562.99	TOP, black vinyl		1
011-385	\$686.99	TOP, black Stayfast canvas	XK120 - 140 roadster replacement type with welded plastic window	1
011-387	\$686.99	TOP, tan Stayfast canvas		1
011-380	\$392.99	TOP, black vinyl		1
011-381	\$392.99	TOP, white vinyl		1
011-467*	\$651.99	TOP, black Stayfast canvas	XK120 DHC blank zippered panel included must use original window	1
011-468*	\$651.99	TOP, tan Stayfast canvas		1
011-469*	\$392.99	TOP, black vinyl		1
011-395	\$660.99	TOP, black Stayfast canvas	XK120 DHC, replacement type XK140 DHC, original type includes large plastic window with zipper	1
011-397	\$660.99	TOP, tan Stayfast canvas		1
011-390	\$392.99	TOP, black vinyl		1
011-391	\$392.99	TOP, white vinyl		1
011-405	\$686.99	TOP, black Stayfast canvas	XK150 roadster includes zippered window	1
011-407	\$686.99	TOP, tan Stayfast canvas		1
011-400	\$445.99	TOP, black vinyl		1
011-401	\$445.99	TOP, white vinyl		1
011-415	\$696.99	TOP, black Stayfast canvas	XK150 DHC includes zippered window	1
011-417	\$696.99	TOP, tan Stayfast canvas		1
011-410	\$445.99	TOP, black vinyl		1
011-411	\$445.99	TOP, white vinyl		1

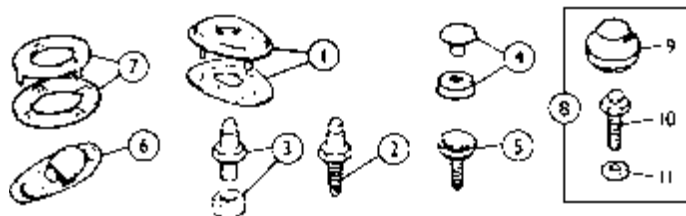
\*Note: These tops include a solid zippered rear window panel so that you may fit your original window and frame for an authentic appearance.

No.	Part No.	Price (each)	Description	Application	Qty. Req.
-----	----------	--------------	-------------	-------------	-----------

## Tonneau Covers

011-355	\$671.99	TONNEAU, black Stayfast canvas	XK120 roadster	1
011-356	\$671.99	TONNEAU, tan Stayfast canvas		1
011-350	\$311.99	TONNEAU, black vinyl		1
011-351	NA	TONNEAU, white vinyl		1
011-365	\$672.99	TONNEAU, black Stayfast canvas	XK140 roadster	1
011-366	\$671.99	TONNEAU, tan Stayfast canvas		1
011-360	\$311.99	TONNEAU, black vinyl		1
011-361	NA	TONNEAU, white vinyl		1
011-375	\$697.99	TONNEAU, black Stayfast canvas	XK150 roadster	1
011-376	\$697.99	TONNEAU, tan Stayfast canvas		1
011-370	\$321.99	TONNEAU, black vinyl		1
011-371	NA	TONNEAU, white vinyl		1

Note: We supply only short style tonneau covers for XK120, 140, & 150.



## Snaps and Studs

1	226-308	\$1.09	FOUR PRONG SNAP AND PLATE	A/R
2	226-408	\$2.79	SELF TAPPING STUD	A/R
3	226-708	\$1.79	TREADED STUD AND NUT	A/R
4	227-108	\$0.49	BUTTON SNAP	A/R
5	226-800	\$0.89	STUD, for button snap	A/R
6	227-500	\$1.29	TURN BUTTON FASTENER	A/R
7	227-408	\$0.89	EYELET, for turn button	A/R
8	227-808	\$15.99	TENAX FASTENER, with stud and nut	A/R
9	227-600	\$10.89	TENAX FASTENER (genuine "Tenax" brand)	A/R
10	227-700	\$2.19	STUD, without nut	A/R
11	310-040	\$0.19	NUT, for stud	A/R















# E-Type Rubber Seals

Part No.	Price (each)	Description	Application	Qty.	Notes Req.
<b>E-Type RUBBER</b>					
BD18947-4	\$19.99	BUMPER, seal FRONT	61-71	1	48' long
011-730	NA	OVERRIDER, seal	ALL	6/8	Override to bumper
280-130	\$2.49	HEADLAMP, seal	61-66	2	Bucket to body
164-050	\$4.39	HEADLAMP, seal	67-74	2	Bucket to body
BD26673	NA	HEADLAMP, seal LH	61-67	1	Outer glass to body
BD26672	NA	HEADLAMP, seal RH	61-67	1	Outer glass to body
BD35730	NA	HEADLAMP MOLDING, seal LH	68-74	1	Open headlamp
BD35729	NA	HEADLAMP MOLDING, seal RH	68-74	1	Open headlamp
54572031	NA	TURN SIGNAL, seal FRONT LH	62-68	1	Lamp to body gasket
54572030	NA	TURN SIGNAL, seal FRONT RH	62-68	1	Lamp to body gasket
54579126	NA	TURN SIGNAL, seal FRONT LH	69-74	1	Lamp to body gasket
54579125	NA	TURN SIGNAL, seal FRONT RH	69-74	1	Lamp to body gasket
RR13	NA	SIDE MARKER, seal	69-74	2	Lamp to body gasket
164-910	\$1.29	SIDE MARKER LENS, seal	69-74	2	Lens to lamp
BD20903-3	NA	BONNET, seal REAR	61-74	1	Rear hood seal
BD37782	NA	HEADER RAIL, seal	61-74 OTS	1	Windscreen to soft top
BD15514	\$89.99	WINDSHIELD, seal	61-71 OTS	1	
BD38958	NA	WINDSHIELD, seal	V12 OTS	1	
BD20499	\$94.99	WINDSHIELD, seal	4.2 61-71 FHC	1	Not 2+2
BD35665	NA	WINDSHIELD, seal	66-69 2+2	1	
BD38957	NA	WINDSHIELD, seal	69-74 2+2	1	
BD48847	NA	WINDSHIELD, insert FRONT	61-74	2	Locking strip
BD25717	NA	A POST, seal LH	61-71 OTS & FHC	1	Not 2+2
BD38233	NA	A POST, seal LH	V12 OTS	1	
BD30301	NA	A POST, seal	61-74 2+2 only	2	
BD25716	NA	A POST, seal RH	61-71 OTS & FHC	1	Not 2+2
BD38232	NA	A POST, seal RH	V12 OTS	2	
BD25899	NA	B POST, seal	61-71 OTS & FHC	2	Shut face
BD25899-AM	\$3.99	B POST, seal	61-71 OTS & FHC	2	Shut face
BD28434-1	NA	B POST, seal	61-74 2+2 only	2	Shut face
BD30303-1	NA	B POST, seal	V12 71-74 OTS	2	Shut face
RR11A	NA	DOOR FRAME, seal OUTER	OTS and FHC	2	Front window
BD21800	NA	CANTRAIL, seal	61-71 OTS	2	Soft top to door seal
RR9	NA	CANTRAIL, seal	61-71 OTS	2	Soft top to door seal
259-907	\$5.99	CANTRAIL, seal	V12 OTS	A/R	Per foot
BD24789	\$34.99	DOOR SILL, seal	61-71	2	Not 2+2
RR3	NA	DOOR SILL, seal	61-71	2	Not 2+2
BD28447-1-AM	\$39.99	DOOR SILL, seal	V12 + 2+2	2	
BD19397-1	NA	WINDOW CHANNEL, seal	61-71 OTS	2	Not 2+2
BD16700	\$16.99	WINDOW SCRAPER, seal	61-71 OTS	2	On door, not 2+2
BD46440-1	NA	WINDOW SCRAPER, seal	71-74 V12 OTS	2	On door against glass
BD21073-4	\$17.19	WINDOW SCRAPER, seal	61-74 2+2 only	2	On door
BD20010-4	NA	WINDOW, seal INNER	All	2	Fuzzies against door glass
BD20500-4	NA	QUARTER LIGHT, seal	61-74 FHC & 2+2	2	
RR12	NA	QUARTER LIGHT, seal to post	61-74 FHC & 2+2	4	
RR14	NA	SIDE MARKER, seal	69-74	2	Lamp to body gasket
164-910	\$1.29	SIDE MARKER LENS, seal	69-74	2	Lens to lamp
54572062	NA	STOP TAIL, seal LH	61-68 OTS	1	Tail lamp to body gasket
54571935	NA	STOP TAIL, seal RH	61-68 OTS	1	Tail lamp to body gasket
54573000	NA	STOP TAIL, seal LH	61-68 FHC & 2+2	1	Lamp to body gasket
54573001	NA	STOP TAIL, seal RH	61-68 FHC & 2+2	1	Lamp to body gasket
54580127	NA	STOP TAIL, seal	69-74	1	Lamp to body gasket
BD20309	NA	REAR WINDOW, seal	FHC and 2+2	1	
BD48847	NA	REAR WINDOW, insert	61-74	2	Locking strip
BD33417-1	\$79.99	TRUNK LID, seal	61-74 OTS	1	
BD23347-AM	NA	TRUNK LID, seal	FHC and 2+2	2	
BD18947-4	\$19.99	BUMPER, seal REAR	61-68, 71-74 V12	1	48' long, not Series II
858-380	NA	BUMPER, seal REAR	69-71, 6cyl	1	Series II only, 1' wide
011-730	NA	OVERRIDER, seal		A/R	Override to bumper
BD27500	NA	SHIFT BOOT	61-71	1	Rubber boot
BD29420	NA	SHIFT BOOT	V12 71-74	1	Rubber boot

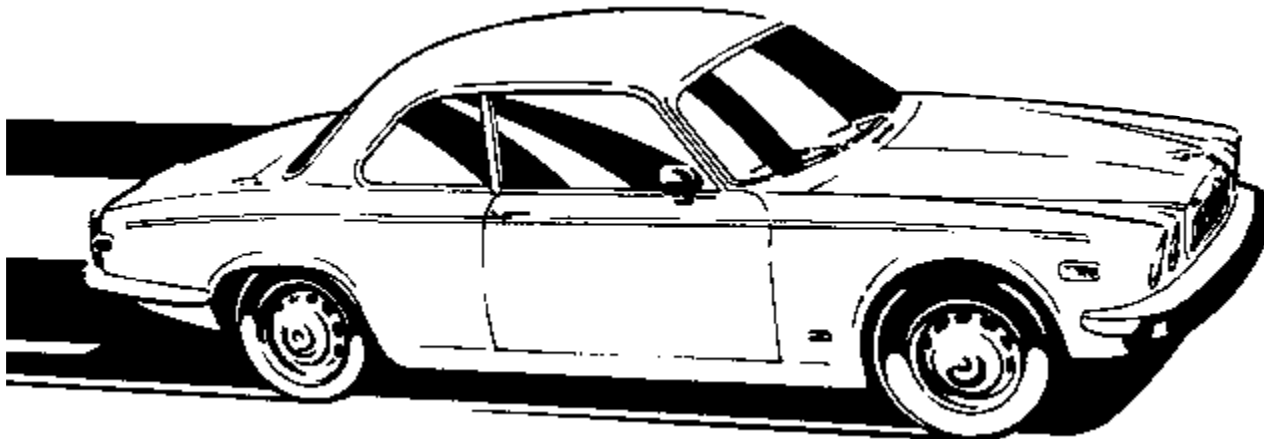
## E-Type Chassis Numbers

Model Year	Model	Starting #
<b>1961-64</b>	E-Type 3.8 Rdstr	875001
	E-Type 3.8 Coupe	885001
<b>1965-67</b>	E-Type 4.2 Rdstr	1E10001
	E-Type 4.2 Coupe	1E30001
	E-Type 4.2 2+2	1E750001
<b>1968</b>	E-Type Roadster	1E15980
	E-Type Coupe	1E34583
	E-Type 2+2	1E77709
<b>1969</b>	E-Type Roadster	1R7001
	E-Type Coupe	1R25001
	E-Type 2+2	1R40001
<b>1970</b>	E-Type Roadster	1R11052
	E-Type Coupe	1R27051
	E-Type 2+2	1R42850
<b>1971</b>	E-Type Roadster	2R13716
	E-Type Coupe	2R28084
	E-Type V-12 2+2	1S70001
<b>1972</b>	E-Type V-12 2+2	1S72335
	E-Type V-12 Rdstr	1S20103
<b>1973</b>	E-Type V-12 2+2	UD1S 73856
	E-Type V-12 Rdstr	UD1S 21029
<b>1974</b>	E-Type V-12 Rdstr	UE1S 23240

Note: OTS = Open Two Seater = roadster  
 FHC=Fixed Head Coupe  
 -AM suffix on part number indicates after-market part



MOSS MOTORS, LTD. TOLL-FREE ORDERS **1-800-667-7872**

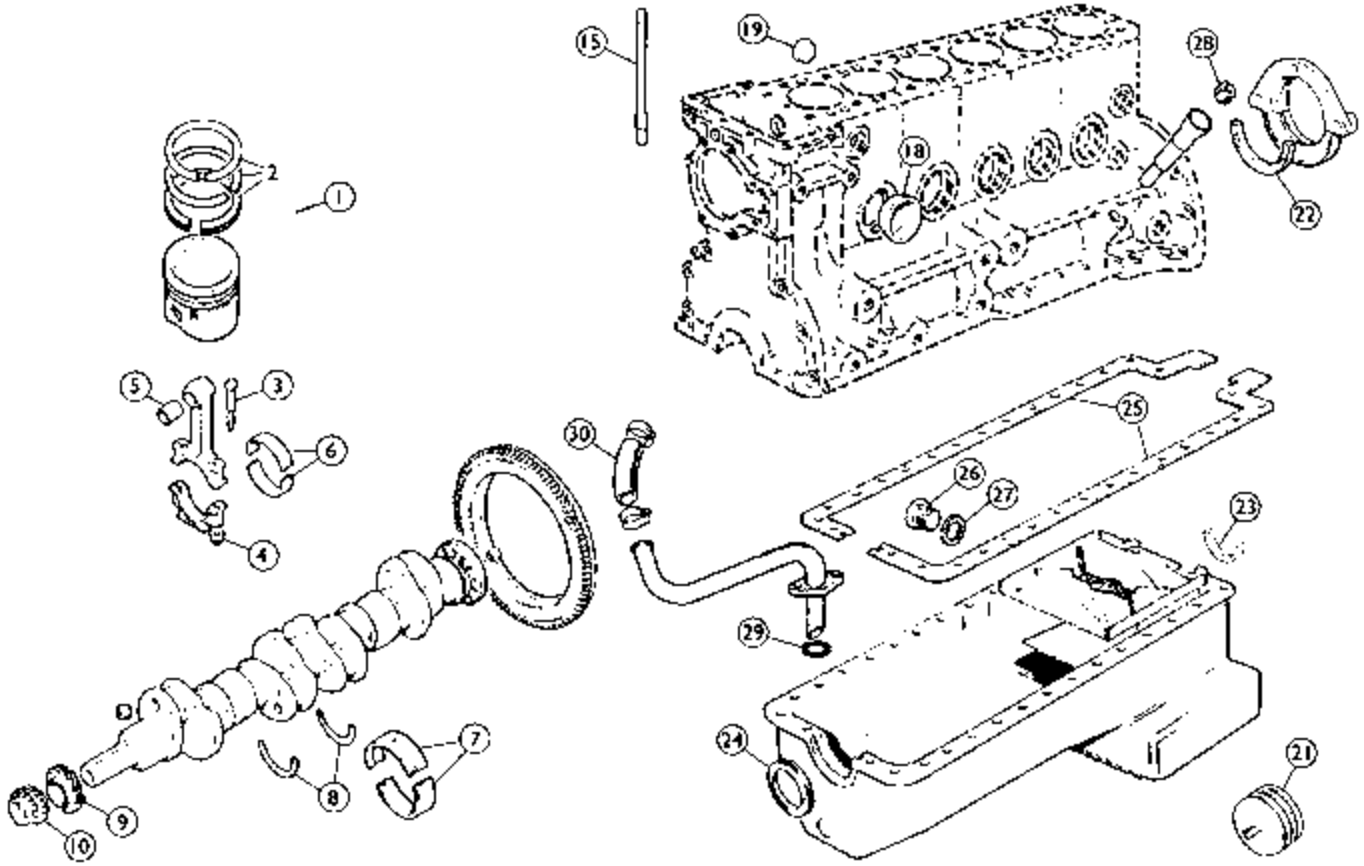


### XJ6 & XJ12 Chassis Numbers through 1987

Model Year	Model	Starting #
1969	XJ6	1L50001
1970	XJ6	1L53203
1971	XJ6	1L55686
1972	XJ6	1L64129
1973	XJ6 XJ12	UD1L 699088W UD1P 50153
1974	XJ6 XJ6L XJ12	UE2N 50001BW UE2T 50093BW UE2R 50001BW
1975	XJ6L XJ12 XJ12C	UF2T 54779 UF2R 53930BW UF2G 50060BW
1976	XJ6L XJ12 XJ12C	UG2T 56746BW UG2R 54264BW UG2G 50426BW
1977	XJ6L XJ12	UH2T 63599 UH2R 56786
1-'78 to 6-'78	XJ6L XJ12	UJ2T 69541 UJ2R 58421BW

<b>7-'78 on</b>	XJ6L	JAVLN48C 100001
	XJ12	J8VLV48C 100001
<b>1979</b>	XJ6L	JAVLN49C 100749
	XJ6	JAVLN49C 300001
<b>1980</b>	XJ6	JAVLN44C 310676
<b>1981</b>	XJ6	SAJAVLN4BC 320092
<b>1982</b>	XJ6	SAJAVLN4CC 330273
	XJ6 Vanden Plas	SAJAYLN4CC 330273
<b>1983</b>	XJ6	SAJAV134DC 346688
	XJ6 Vanden Plas	SAJAY134DC 346688
<b>1984</b>	XJ6	SAJAV134EC 366290
	XJ6 Vanden Plas	SAJAY134EC 366290
<b>1985</b>	XJ6	SAJAV134FC 389879
	XJ6 Vanden Plas	SAJAY134FC 389879
<b>1986</b>	XJ6	SAJAV134GC 431604
	XJ6 Vanden Plas	SAJAY134GC 431604
<b>1987</b>	XJ6	SAJAV134HC 461709
	XJ6 Vanden Plas	SAJAY134HC 461709

# XJ6 Engine - Bottom End



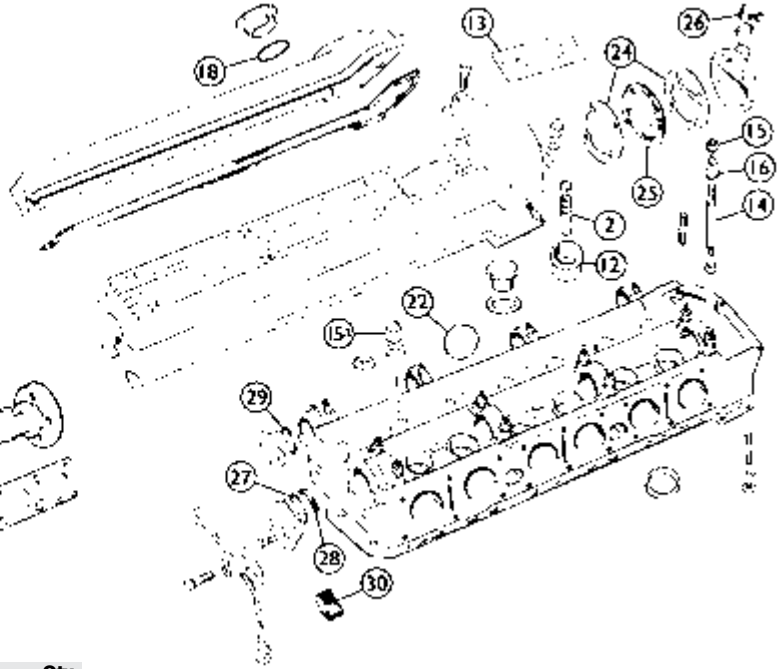
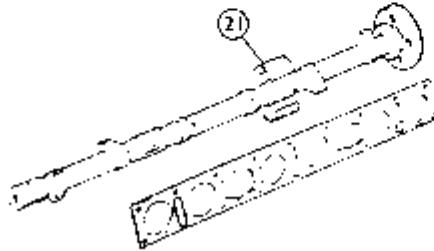
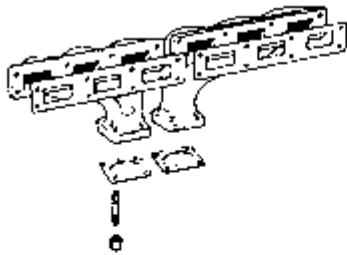
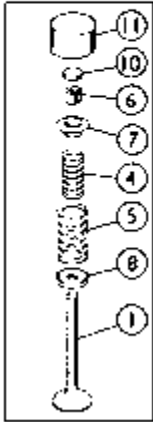
No.	Part No.	Price (each)	Description	Application	Qty. Req.
1	21379	NA	PISTON, w/rings STD 8.7:1	AE high compr.	6
	21379-020	\$86.99	PISTON, w/rings .020 8.7:1	Nüral-AE high compr.	6
	21379-030	NA	PISTON, w/rings .030 8.7:1	AE high compr.	6
	21379-040	NA	PISTON, w/rings .040 8.7:1	AE high compr.	6
	21380	\$119.99	PISTON, w/rings STD 7.8:1	Nüral-AE stock compr.	6
	21380-020	\$144.99	PISTON, w/rings .020 7.8:1	AE stock compr	6
	21380-030	NA	PISTON, w/rings .030 7.8:1	AE stock compr.	6
	21380-040	\$121.99	PISTON, w/rings .040 7.8:1	Nüral-AE stock comp.	6
2	R39520	\$149.99	RINGS, engine set STD	Goetze, for short skirt	1
	R39520-020	NA	RINGS, engine set .020	AE, for short skirt	1
	R39520-030	NA	RINGS, engine set .030	AE, for short skirt	1
	R39520-040	NA	RINGS, engine set .040	AE, for short skirt	1
3	031-894	NA	BOLT, conn. rod, self locking		12
4	031-895	\$5.49	NUT, conn. rod, self locking		12
5	829-010	\$2.59	ROD BUSHING		6
	829-018	\$14.99	ROD BUSHING SET		1
6	550-061	\$59.99	ROD BEARING SET, STD		1
	550-062	\$59.99	ROD BEARING SET, .010		1
	550-063	\$59.99	ROD BEARING SET, .020		1
	011-156	\$79.99	ROD BEARING SET, .030		1
	011-157	NA	ROD BEARING SET, .040		1
7	VP91167	NA	MAIN BEARING SET, STD		1
	VP91167-010	NA	MAIN BEARING SET, .010		1
	VP91167-020	NA	MAIN BEARING SET, .020		1
	VP91167-030	NA	MAIN BEARING SET, .030		1
	M7294LC	\$129.99	MAIN BEARING SET, STD		1
	M7294LC-010	\$99.99	MAIN BEARING SET, .010		1
	M7294LC-020	NA	MAIN BEARING SET, .020		1
	M7294LC-030	NA	MAIN BEARING SET, .030		1
8	VP180	NA	THRUST WASHER SET, STD		1
	VP125	NA	THRUST WASHER SET, O/S		1
	555-125	\$8.99	THRUST WASHER SET, STD		1
	W2186SA	NA	THRUST WASHER SET, O/S		1
9	031-893	NA	GEAR, oil pump drive		1
10	031-915	NA	SPROCKET, crankshaft		1
	C757	\$1.69	KEY, crankshaft		2
	C40147	NA	CRANKSHAFT SPACER, front		1
	EAC8101	\$5.89	"O" RING, front crankshaft		1
	C29713	NA	TAB WASHER, crank pulley		1

No.	Part No.	Price (each)	Description	Application	Qty. Req.
15	C29035	NA	STUD, head 6.5", OE	XJ6 69-87	A/R
	031-896	\$14.89	STUD, head 6.5", repro	XJ6 69-87	A/R
	C23610	NA	STUD, head 6.75", dowelled	XJ6 68-71	10
	C29033	NA	STUD, head 12.5" OE	XJ6 69-87	7
	C29033-AM	\$21.99	STUD, head 12.5", repro	XJ6 69-87	7
	C38073	NA	STUD, head 13", OE	XJ6 73-87	3
	C38073-AM	\$12.99	STUD, head 13", aftermarket	XJ6 73-87	3
	311-788	\$229.99	CHROME NUT AND WASHER SET		1
			Complete 72 piece set of nuts and washers for head studs and cam covers. (Cam cover washers are copper)		
	EAC3369	\$16.99	DOME NUT, zinc, cylinder head studs		14
	011-149	\$4.99	DOME NUT, chrome, cylinder head studs		14
	C10301	\$6.99	WASHER, zinc, cyl. head studs		A/R
	011-150	\$5.19	WASHER, chrome, cyl. head studs (D)		10
	011-983	\$5.59	WASHER, chrome, cyl. head studs (round)		4
18	C16862-8	\$4.89	CORE PLUG, large		9
19	C16862-5	NA	CORE PLUG, small		2
	C28658	\$1.29	GASKET, timing cover		1
21	JLM1009	\$11.99	MOUNT, engine		2
22	031-989	\$6.99	SEAL, rear main		2
23	C36499	NA	SEAL, rear oil pan		1
24	535-020	\$4.79	SEAL, front crankshaft, black		1
25	GEG527	\$8.99	GASKET, pan		1
26	011-761	NA	OIL DRAIN PLUG		1
	011-764	\$21.39	OIL DRAIN PLUG, magnetic (with washer)		1
27	324-805	\$1.99	WASHER, drain plug		1
28	C42705	NA	DIPSTICK, seal		1
29	EAC8840	\$6.49	"O" RING, oil bypass pipe		1
30	EAC8531	NA	HOSE, oil bypass	XJ6 78-87	1

MOSS

MOSS MOTORS, LTD.  
TOLL-FREE ORDERS

1-800-667-7872

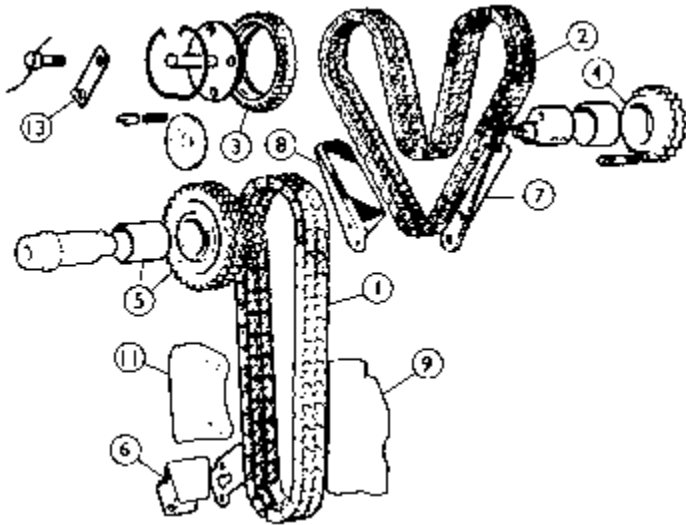


No.	Part No.	Price (each)	Description	Application	Qty. Req.
1	537-112	\$6.79	VALVE, intake, AE	XJ6 68-76	6
	EAC1395-AM	\$5.99	VALVE, intake, AE	XJ6 77-87	6
	537-092	\$9.99	VALVE, exhaust	XJ6 68-76	6
	V90303	NA	VALVE, exhaust	XJ6 77-87	6
2	VAG50914	\$2.29	GUIDE, intake cast iron, AE, +.007" OD		6
	VAG50914BR	NA	GUIDE, intake bronze, +.003" OD		6
	538-017	\$3.29	GUIDE, exhaust cast iron, +.005" OD		6
	VAG50913BR	NA	GUIDE, exhaust bronze, +.002" OD		6
4	C7137	\$2.39	SPRING, valve inner		12
5	C7136	NA	SPRING, valve outer		12
	539-072	\$39.99	SPRING, valve set		1
6	C27482	NA	KEEPER, valve	69-87	24
7	C27480	NA	COLLAR, valve spring	69-87	12
8	C27481	NA	CUPPED WASHER, valve spring		12
	EAC5032	\$1.49	SEAL, valve stem, OE		6
	EAC5032-AM	NA	SEAL, valve stem, after-market		6
10	031-085	\$3.29	VALVE ADJ. SHIM, .085		A/R
	031-086	\$3.29	VALVE ADJ. SHIM, .086		A/R
	031-087	\$3.29	VALVE ADJ. SHIM, .087		A/R
	031-088	\$3.29	VALVE ADJ. SHIM, .088		A/R
	031-089	\$3.29	VALVE ADJ. SHIM, .089		A/R
	031-090	\$3.29	VALVE ADJ. SHIM, .090		A/R
	031-091	\$3.29	VALVE ADJ. SHIM, .091		A/R
	031-092	\$3.29	VALVE ADJ. SHIM, .092		A/R
	031-093	\$3.29	VALVE ADJ. SHIM, .093		A/R
	031-094	\$3.29	VALVE ADJ. SHIM, .094		A/R
	031-095	\$3.29	VALVE ADJ. SHIM, .095		A/R
	031-096	\$3.29	VALVE ADJ. SHIM, .096		A/R
	031-097	\$3.29	VALVE ADJ. SHIM, .097		A/R
	031-098	\$3.29	VALVE ADJ. SHIM, .098		A/R
	031-099	\$3.29	VALVE ADJ. SHIM, .099		A/R
	031-100	\$3.29	VALVE ADJ. SHIM, .100		A/R
	031-101	\$3.29	VALVE ADJ. SHIM, .101		A/R
	031-102	\$3.29	VALVE ADJ. SHIM, .102		A/R
	031-103	\$3.29	VALVE ADJ. SHIM, .103		A/R
	031-104	\$3.29	VALVE ADJ. SHIM, .104		A/R
	031-105	\$3.29	VALVE ADJ. SHIM, .105		A/R
	031-106	\$3.29	VALVE ADJ. SHIM, .106		A/R
	031-107	\$3.29	VALVE ADJ. SHIM, .107		A/R
	031-108	\$3.29	VALVE ADJ. SHIM, .108		A/R
	031-109	\$3.29	VALVE ADJ. SHIM, .109		A/R
	031-110	\$3.29	VALVE ADJ. SHIM, .110		A/R
11	011-940	\$8.99	TAPPET, cam follower		12
12	031-904	\$11.99	TAPPET GUIDE		12
	C7262-AM	\$14.99	TAPPET GUIDE, oversize, +.015" OD		12
	J3842	NA	TAPPET GUIDE HOLD DOWN KIT		1
13	C35732	NA	DECAL, valve cover		1
14	C2326	NA	STUD, bearing cap		1

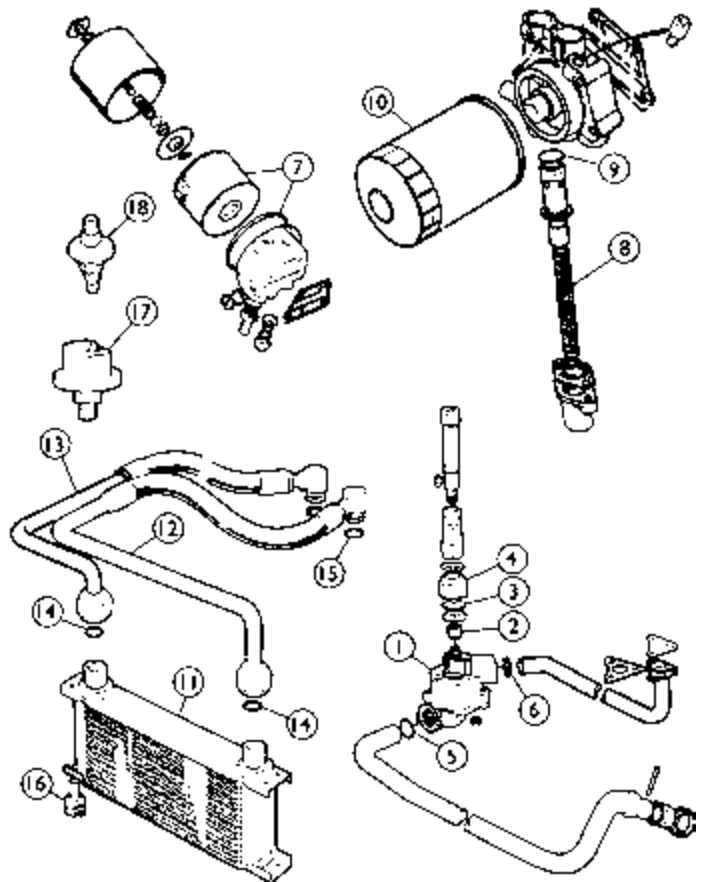
No.	Part No.	Price (each)	Description	Application	Qty. Req.
15	011-148	\$4.49	DOME NUT, valve cover, chrome		22
15a	EAC3369	\$16.99	DOME NUT, cylinder head, cad. plated		14
	311-788	\$229.99	CHROME NUT AND WASHER SET		1
72 piece set of nuts and washers for head studs and cam covers. (Cam cover washers are copper)					
16	315-290	\$0.89	COPPER WASHER, valve cover		22
	324-465	\$1.19	COPPER WASHER, valve cover, chromed		22
	EBC1294	\$0.49	WASHER, valve cover teflon		22
	C30075-2	\$1.39	WASHER, cam bearing holder		12
	031-909	\$1.49	COPPER WASHER, oil pipe		A/R
18	C42511	NA	O-RING, oil filter cap	75.5- 87	1
	C11761	NA	STUD, intake/exhaust manifold		A/R
	C30787	NA	NUT, exhaust manifold		16
21	VP907	NA	BEARINGS, cam, Vandervell		1
	550-630	\$46.99	BEARINGS, camr		1
22	031-781	NA	FREEZE PLUG, head	XJ6 68-82.5	2/3
	C16862-2	NA	FREEZE PLUG, small		2
	C3993	\$24.99	TIMING GAUGE		1
24	011-169	\$1.99	GASKET, breather cover		4
25	C37282	\$34.99	SCREEN, breather		1
26	C34965	NA	ELBOW, breather	XJ6 68-78	1
	C44386	NA	ELBOW, breather	XJ6 79-80	1
27	C19044	\$0.59	O RING, intake cam	XJ6 68-74	1
28	C14991	NA	SEAL, valve cover	XJ6 68-74	1
29	535-090	\$2.69	O RING, exhaust cam	XJ6 68-74	1
30	C39195	NA	SEAL, half moon, valve cover	XJ6 75-87	2
	C39195-AM	\$1.29	SEAL, half moon, valve cover	XJ6 75-87	2

### GASKETS

CG571	\$89.99	GASKET SET, head, Payen	XJ6 68	1
DJ021	\$117.99	GASKET SET, head, Payen	XJ6 69-74	1
DJ023	\$129.99	GASKET SET, head, Payen	XJ6 75-78	1
GEG1253-AM	NA	GASKET SET, head	XJ6 79-87	1
DJ024	NA	GASKET SET, head, Payen	XJ6 79-87	1
DJ024-AM	NA	GASKET SET, head	XJ6 79-87	1
EH690	\$47.99	GASKET SET, conversion, Payen	XJ6 68-87	1
GEG255-AM	NA	GASKET SET, conversion, aftermarket	XJ6 68-87	1
GEG3310	NA	GASKET, head	XJ6 69-87	1
BJ020	NA	GASKET, head, Payen	XJ6 69-87	1
529-214	\$8.49	GASKET, valve cover LH, Payen	XJ6 68-75	1
529-213	\$7.99	GASKET, valve cover RH, Payen	XJ6 68-75	1
GEG4494	NA	GASKET, valve cover	XJ6 75-87	2
GEG4494-AM	\$5.99	GASKET, valve cover	XJ6 75-87	2
GEG666	\$9.79	GASKET, intake manifold, Payen		1
011-621	\$5.79	GASKET, manifold exhaust, Payen		2
GEG754	\$2.99	GASKET, exhaust flange		2
JLM9710	NA	HYLOSIL, gasket sealer, white		A/R
232-215	\$26.99	HYLOMAR, gasket sealer (solvent free version of Hylomar blue)		A/R



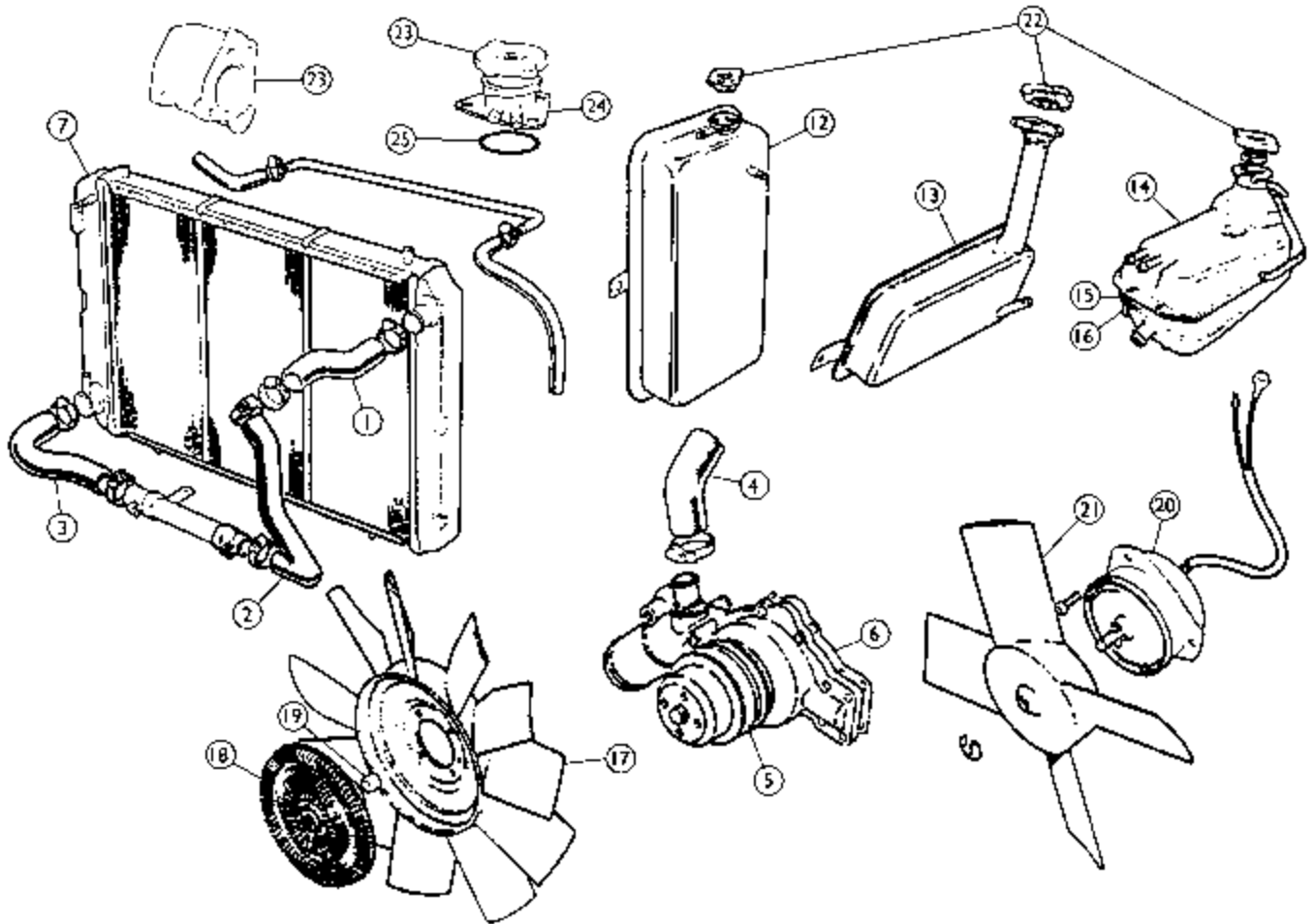
No.	Part No.	Price (each)	Description	Application	Qty. Req.
<b>Timing Chains</b>					
1	600-099	\$13.29	TIMING CHAIN, lower		1
2	600-105	\$16.59	TIMING CHAIN, upper		1
3	031-918	\$54.99	GEAR, cam		2
4	031-917	\$149.99	GEAR, idler		1
5	031-916	NA	GEAR, intermediate		1
6	011-139	\$12.99	TENSIONER, t/chain		1
7	031-921	\$7.39	RAIL, t/chain upper LH		1
8	031-922	\$7.39	RAIL, t/chain upper RH		1
9	031-919	\$12.39	RAIL, t/chain lower LH		1
	C20397	NA	LOCKTAB, lower RH		1
11	C21815	\$9.49	RAIL, t/chain lower RH		1
	C21831	\$5.99	LOCKTAB, lower LH		1
13	C33917	NA	LOCKTAB, cam gear		2



No.	Part No.	Price (each)	Description	Application	Qty. Req.
<b>Oil System</b>					
1	011-760	\$89.99	OIL PUMP, assembly		1
2	031-900	NA	COUPLING, dist. drive gear		1
3	031-902	NA	SPECIAL WASHER, locknut		1
4	031-901	NA	DRIVEN GEAR, oil pump		1
5	C21848	NA	O-RING, oil pump outlet		1
6	C8649	NA	O-RING, oil pump inlet		1
7	950-085	NA	OIL FILTER, "Crosland" brand	XJ6 68-75	1
	950-585	\$10.89	OIL FILTER **	XJ6 68-75	1
8	EAC1534	NA	SPRING, oil pressure relief valve	XJ6 74-87	1
9	EAC2087	\$1.49	O-RING, oil pressure relief valve	XJ6 74-87	1
10	950-095	NA	OIL FILTER, "Crosland" brand	XJ6 76-87	1
	950-595	\$19.99	OIL FILTER **	XJ6 76-87	1
11	CAC4540-AM	NA	OIL COOLER, engine	XJ6 80-87	1
12	CBC1437	NA	HOSE, oil cooler	XJ6 80-87	1
13	CBC1438	\$89.99	HOSE, oil cooler	XJ6 80-87	1
14	KRC1160	\$3.19	O-RING, oil cooler hose	XJ6 80-87	2
15	CAC5118	\$3.59	O-RING, oil cooler hose	XJ6 80-87	2
16	CBC1448	NA	MOUNT, oil cooler	XJ6 80-87	4
17	C15474	\$69.99	TRANSDUCER, oil press., 60psi	XJ6 68-71	1
	C15474-AM	NA	TRANSDUCER, oil press., 60psi	XJ6 68-71	1
	C31177	\$99.99	TRANSDUCER, oil press., 80 psi	XJ6 71-76.5	1
	C31177-AM	\$49.99	TRANSDUCER, oil press., 80pst	XJ6 71-76.5	1
	C46272	NA	TRANSDUCER, oil press., 100psi	XJ6 76.5-87	1
	C46272-AM	NA	TRANSDUCER, oil press., 100psi	XJ6 76.5-87	1
18	141-715	\$23.99	SWITCH, oil pressure, cut-off	XJ6 71-87	1
	760-190	\$6.99	SWITCH, oil press. warning light		1

\*\* Filters supplied are from various manufacturers.

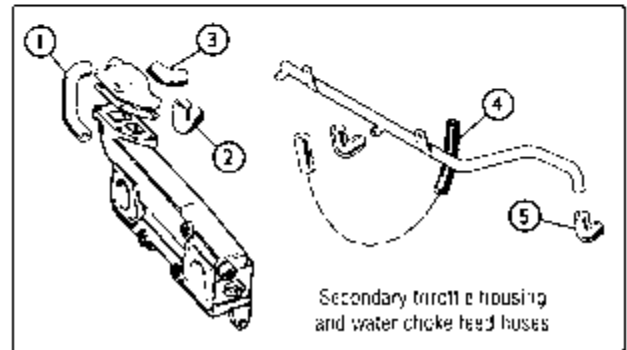
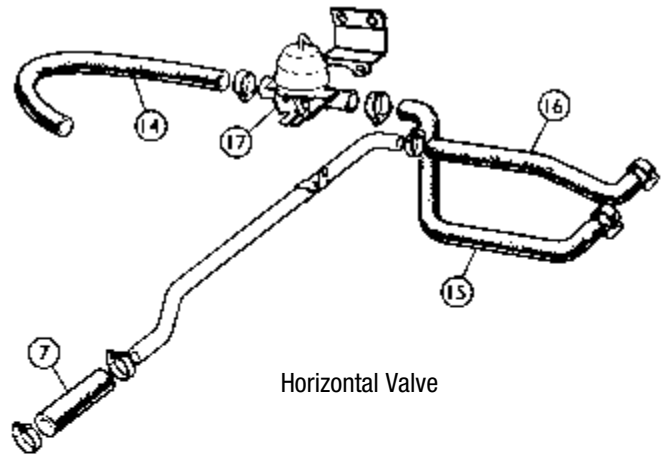
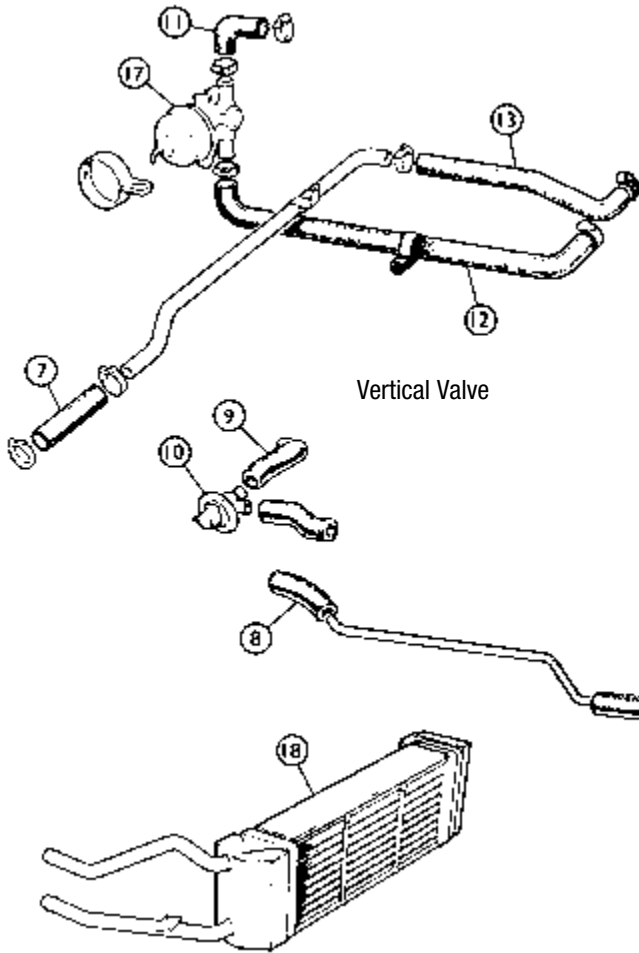




No.	Part No.	Price (each)	Description	Application	Qty. Req.
1	GRH562	NA	HOSE, radiator, upper	XJ6 68-73	1
	GRH562-AM	\$6.99	HOSE, radiator, upper	XJ6 68-73	1
	GRH562	NA	HOSE, radiator, upper	XJ6 74-77	1
	GRH562-AM	\$6.99	HOSE, radiator, upper	XJ6 74-77	1
	GRH626	\$17.99	HOSE, radiator, upper	XJ6 78-82.5	1
	GRH626-AM	\$7.99	HOSE, radiator, upper	XJ6 78-82.5	1
	GRH669	NA	HOSE, radiator, upper	XJ6 82.5-87	1
	GRH669-AM	\$9.99	HOSE, radiator, upper	XJ6 82.5-87	1
2	GRH563	\$44.99	HOSE, radiator, lower	XJ6 68-87	1
	GRH563-AM	\$12.99	HOSE, radiator, lower	XJ6 68-87	1
3	GRH565	NA	HOSE, radiator, lower	XJ6 68-87	1
	GRH565-AM	NA	HOSE, radiator, lower	XJ6 68-87	1
4	C41352	\$11.99	HOSE, bypass	XJ6 68-81	1
	C41352-AM	\$4.99	HOSE, bypass	XJ6 68-81	1
	C41356	\$13.99	HOSE, bypass	XJ6 82-87	1
	C41356-AM	\$7.49	HOSE, bypass	XJ6 82-87	1
5	GWP419	NA	WATER PUMP, new	XJ6 72.5-74	1
	GWP427	\$399.99	WATER PUMP, new	XJ6 76.5-81	1
	GWP428	NA	WATER PUMP, new	XJ6 82-87	1
	GWP428-AM	NA	WATER PUMP, new	XJ6 82-87	1
	WP4230	NA	WATER PUMP, rebuilt	XJ6 82-87	1
		NA	CORE CHARGE for WP4230		
6	031-898	\$2.99	GASKET, water pump	XJ6 68	1
	C28656	\$1.29	GASKET, water pump	XJ6 69-87	1
7	CAC3118-2	NA	RADIATOR, assembly	XJ6 77.5-82 2T69451-330666	1
	CAC5064-1-AM	NA	RADIATOR, assembly	XJ6 82-87 330667-	1
	C8975	\$1.99	BUSH, radiator mount	XJ6 68-77	A/R
	C38333	\$5.19	BUSH, radiator mount	XJ6 78-87	4/2

No.	Part No.	Price (each)	Description	Application	Qty. Req.
	CAC3130	NA	PAD, radiator RH	XJ6 77.5-87	1
	CAC3129	NA	PAD, radiator LH	XJ6 77.5-87	1
12	C28868-AM	NA	HEADER TANK	XJ6 68-69	1
13	CAC4338	NA	HEADER TANK	XJ6 70-82	1
14	CAC3636	NA	HEADER TANK	XJ6 82-87	1
15	072-088	NA	SENSOR, low coolant		1
16	C43221	\$43.99	GROMMET, low coolant sensor	XJ6 82-87	1
17	C39831	NA	FAN BLADE	XJ6 75-82	1
	EAC3266	NA	FAN BLADE	XJ6 82-87	1
18	C28018-AM	NA	FAN CLUTCH, bolt on	XJ6 68-73	1
	C45015	\$139.99	FAN CLUTCH, press on	XJ6 75-82	1
	EAC4751-AM	\$79.99	FAN CLUTCH, repro	XJ6 82-87	1
19	EAC4382	\$8.49	SPACER, fan clutch	XJ6 82-87	1
20	CAC2047	NA	MOTOR, cooling fan	XJ6 78-87	1
21	CAC2029	NA	FAN BLADE, electric	XJ6 78-87	1
	DAC3061	NA	SWITCH, cooling fan	XJ6 78-87	1
	DAC3061-AM	\$19.00	SWITCH, cooling fan	XJ6 78-87	1
	C44635	NA	SHROUD, radiator, upper	XJ6 74-81	1
	CAC4266	\$399.99	SHROUD, radiator	XJ6 82-87	1
22	834-825	\$4.49	CAP, radiator 13LB, on expansion tank	XJ6 68-78	1
	459-695	\$3.79	CAP, radiator 15LB, on expansion tank	XJ6 79-82	1
	GRC156	\$13.99	CAP, radiator 13LB, on expansion tank	XJ6 80-82	1
	GRC181	NA	CAP, radiator 15LB, on expansion tank	XJ6 82-87	1
23	780-126	\$3.75	CAP, radiator (blanking), flat cap	XJ6 68-82	1
24	EAC3153	NA	FILLER NECK, with flat cap	XJ6 68-82	1
25	EAC2009	\$2.99	O-RING, filler neck	XJ6 74-82	1
26	EAC1258	NA	HOUSING, thermostat, fuel injected	XJ6 78-87	1
	C30839	\$176.99	HOUSING, thermostat, outer	XJ6 82-87	1

# XJ6 Heater System



No.	Part No.	Price (each)	Description	Application	Qty. Req.
1	C41355	\$24.99	HOSE, water	XJ6 68-79	1
	C41355-AM	NA	HOSE, water	XJ6 68-79	1
2	C41343	NA	HOSE, elbow	XJ6 68-76	1
3	C41354	NA	HOSE, elbow	XJ6 68-76	1
4	C43922-AM	NA	HOSE, carb. heating	XJ6 75-76	1
5	C41343	NA	HOSE, carb. choke	XJ6 75-76	1
6	C43921	\$13.89	HOSE, carb. choke	XJ6 75-76	1
7	C41351-2	\$12.49	HOSE, heater	XJ6 69-87	1
	C41351-2-AM	NA	HOSE, heater	XJ6 69-87	1
8	C30805	NA	HOSE, heater	XJ6 68-73	1
9	C30806	NA	HOSE, heater	XJ6 68-73	1
10	BD33049	NA	VALVE, heater	XJ6 68-73	1
11	C41048	NA	HOSE, heater (vertical valve)	XJ6 74-79	1
12	C41019	NA	HOSE, heater (vertical valve)	XJ6 74-79	1
13	C43896-AM	\$6.99	HOSE, heater (vertical valve)	XJ6 74-79	1
14	C41957	NA	HOSE, heater (horizontal valve)	XJ6 74-75 to 2J52943	1
	C45016-AM	\$4.49	HOSE, heater (horizontal valve)	XJ6 76-87 from 2J52494	1
15	CAC2917	\$34.99	HOSE, heater (horizontal valve)	XJ6 74-87	1
	CAC2917-AM	\$8.99	HOSE, heater (horizontal valve)	XJ6 74-87	1
16	C43896-AM	\$6.99	HOSE, heater (horizontal valve)	XJ6 74-87	1
17	C41051-AM	NA	VALVE, heater	XJ6 74-87	1
18	AEU1195-AM	\$149.99	CORE, heater matrix	XJ6 74-87	1
	EAC2928-7	\$26.99	HOSE, throttle body	XJ6 82-87	2
	C36175-11	\$23.89	HOSE, radiator bleed	XJ6 82-87	1
	CAC4251	NA	HOSE, radiator bleed	XJ6 82-87	1
	C37990	\$9.99	GROMMET, between water rails	XJ6 80-87	2
	C37990-AM	\$1.49	GROMMET, between water rails	XJ6 80-87	2



**MOSS MOTORS, LTD.**  
TOLL-FREE ORDERS

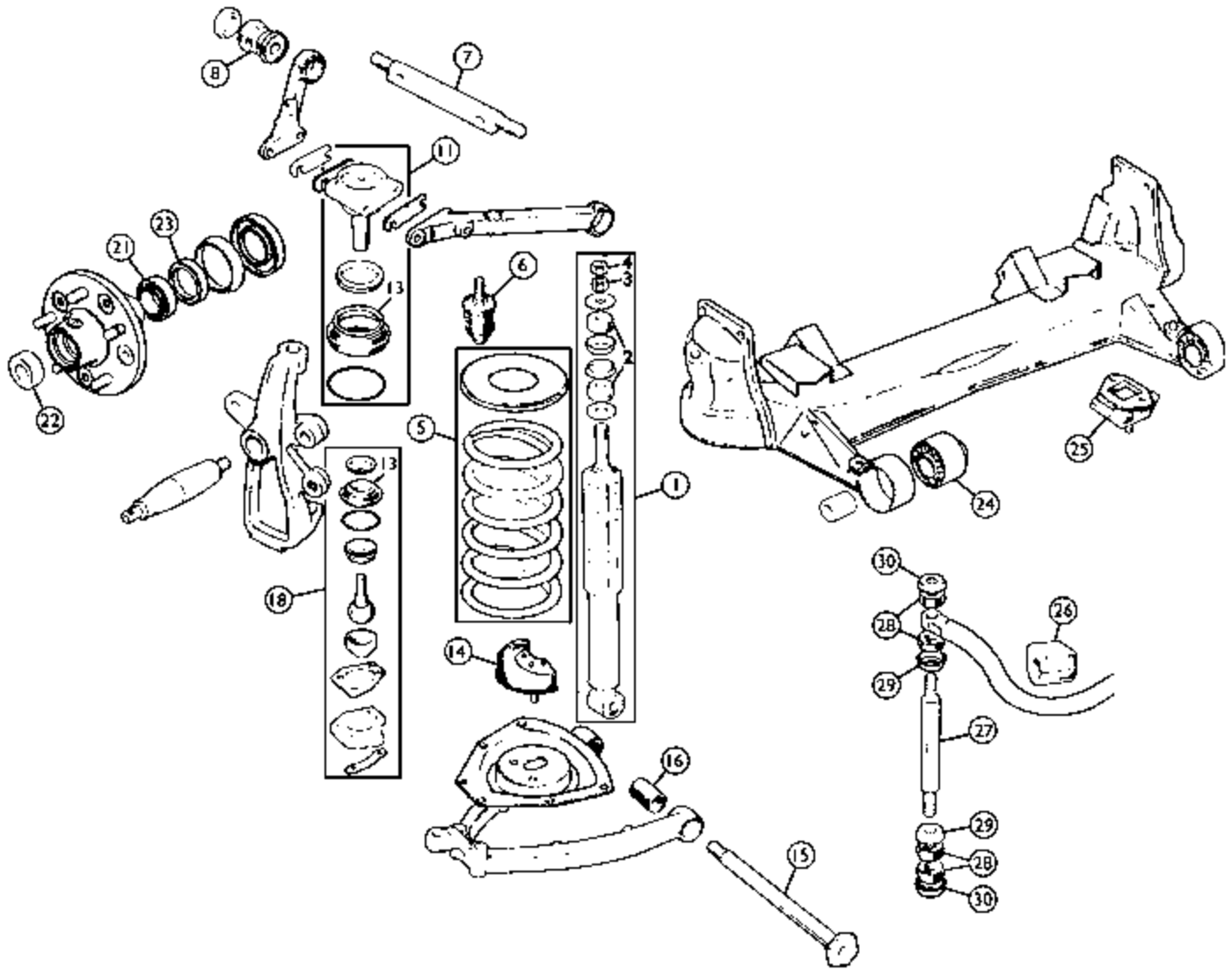
**1-800-667-7872**

No.	Part No.	Price (each)	Description	Application	Qty. Req.
<b>XJ12 COOLING SYSTEM</b>					
GRH558	NA		HOSE, radiator UPPER RH	XJ12 73-75	1
GRH561	NA		HOSE, radiator UPPER LH	XJ12 73-75	1
GRH588	NA		HOSE, radiator UPPER RH	XJ12 76-79	1 Right hand
GRH588-AM	\$6.99		HOSE, radiator UPPER RH	XJ12 76-79	1
GRH587	\$17.99		HOSE, radiator UPPER LH	XJ12 76-79	1
GRH587-AM	\$6.99		HOSE, radiator UPPER LH	XJ12 76-79	1
GRH560	\$59.99		HOSE, radiator LOWER	XJ12 73-79	1 W/o coolant heater
GRH560-AM	\$11.99		HOSE, radiator LOWER	XJ12 73-79	1 W/o coolant heater
C41374	NA		HOSE, w/p to filler pipe	XJ12 73-79	1 Top of water pump
C41353	\$18.99		HOSE, thermo housing	XJ12 73-79	4
EBC4402-1	NA		HOSE, filler pipe	XJ12 74-79	2 Pipe to bypass on head
EBC4402-1-AM	\$2.99		HOSE, filler pipe	XJ12 74-79	2 Pipe to bypass on head
WP4160	NA		WATER PUMP, rebuilt	XJ12 73-79	1 Double pulley
	NA		CORE CHARGE for WP4160		
GWP426	NA		WATER PUMP, new	XJ12 73-79	1 Single pulley
WP4210	NA		WATER PUMP, rebuilt	XJ12 73-79	1 Single pulley
	NA		CORE CHARGE for WP4210		
C29626	\$9.19		GASKET, water pump		1 Pump body to block
C36542	\$2.49		GASKET, water pump		1 Pump body to base
EAC9805	\$3.79		GASKET, water pump		1 Triangular
CAC4339	NA		HEADER TANK	XJ12 74-79	1
C39831	NA		FAN BLADE	XJ12 76-79	1 Metal fan
C45015	\$139.99		FAN CLUTCH, press on	XJ12 76-79	1
C38009	NA		MOTOR, cooling fan	XJ12 76-79	1
C37880	NA		FAN BLADE, electric	XJ12 76-79	1
AAU2019	\$1.19		CLIP, electric fan blade	XJ12 76-79	1
EAC1322	NA		SWITCH, cooling fan	XJ12 76-79	1 XJS to 101854
C37990	\$9.99		GROMMET, cooling fan switch	XJ12 76-79	1 Various applications
C37990-AM	\$1.49		GROMMET, cooling fan switch	XJ12 76-79	1 Various applications
834-825	\$4.49		CAP, radiator 13LB	XJ12 71-74	1 On expansion tank
780-126	\$5.99		CAP, radiator (blanking)	XJ12 73-79	1 Flat cap

No.	Part No.	Price (each)	Description	Application	Qty. Req.
<b>XJ12 HEATER SYSTEM</b>					
C41020	\$17.89		HOSE, heater core to pipe	XJ12 74-79	1
C43999-AM	\$12.99		HOSE, heater valve to engine	XJ12 76-79	1
CAC2917	\$34.99		HOSE, heater valve to core	XJ12 74-79	1
CAC2917-AM	\$8.99		HOSE, heater valve to core	XJ12 74-79	1
C44474	\$39.99		HOSE, heater	XJ12 74-79	1 Radiator to heater pipe
C41051-AM	NA		VALVE, heater	XJ12 74-78	1
AEU1195-AM	\$149.99		CORE, heater matrix	XJ12 74-78	1



# XJ6-XJ12 Front Suspension



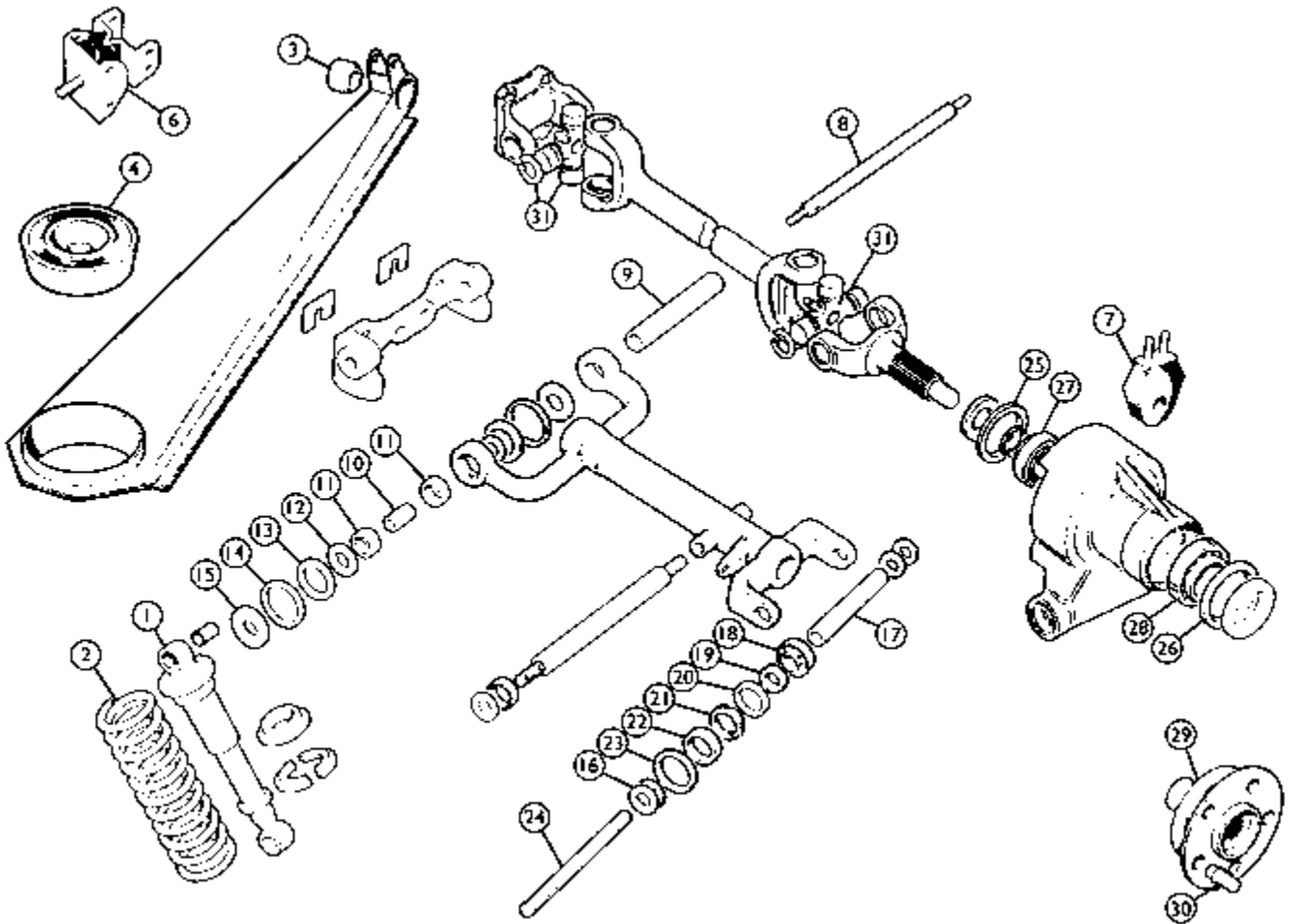
No.	Part No.	Price (each)	Description	Application	Qty. Req.
1	36-302-0	NA	SHOCK, front, Boge		2
2	C30115-AM	\$2.99	BUSH, shock		4
3	310-050	\$0.59	NUT		2
4	310-070	\$0.39	NUT, jam		2
5	RTC2754	NA	COIL SPRING, front, pair	XJ6 68-73	1
	RTC2752	NA	COIL SPRING, front, pair	XJ12 74-79	1
	RTC2751	NA	COIL SPRING, front, pair	XJ6 74-87	1
6	C29979	\$34.99	REBOUND BUFFER, upper		2
7	C27859	NA	SHAFT, fulcrum, upper		2
8	CAC9295	\$27.99	BUSH, a-frame, upper		4
	310-690	\$0.39	NUT, nylock		4
11	GSJ145	\$16.99	BALL JOINT, upper		2
	GSJ145-AM	\$149.99	BALL JOINT, upper		2
	CAC9938	\$149.99	BALL JOINT, upper, sealed		2
	310-690	\$0.39	NUT, nylock		2
13	C43216	\$4.99	GAITER, ball joint		4
	C43216-AM	NA	GAITER, ball joint		4
14	C43790	\$34.99	REBOUND BUFFER, lower		2
15	C30722	NA	SHAFT, fulcrum, lower		2
16	C8673	\$2.69	BUSH, a-frame, lower		4
	310-710	\$2.59	NUT, slotted		2

No.	Part No.	Price (each)	Description	Application	Qty. Req.
18	GSJ129	NA	BALL JOINT, lower		2
	GSJ129-AM	\$42.99	BALL JOINT, lower		2
	CAC9937	\$15.89	BALL JOINT, lower, sealed		2
21	126-000	\$11.29	BEARING, wheel, inner	XJ6/12 68-77.5	2
	676-280	\$12.49	BEARING, wheel, inner	XJ6/12 77.5-87	2
22	126-100	\$8.79	BEARING, wheel, outer	XJ6/12 68-77.5	2
	GHB209	NA	BEARING, wheel, outer	XJ6/12 77.5-87	2
23	OS6320	\$5.99	SEAL, wheel	XJ6/12 68-77.5	2
	OS6327	\$5.99	SEAL, wheel	XJ6/12 77.5-87	2
	GHK1025	\$17.49	KIT, wheel bearing	XJ6/12 68-77.5	2
	GHK1089	\$29.99	KIT, wheel bearing	XJ6/12 77.5-87	2
	GHK1089-AM	\$32.99	KIT, wheel bearing	XJ6/12 77.5-87	2
24	C30314	\$14.99	BUSH, crossmember		2
25	C45666	\$29.99	MOUNT, crossmember	aftermarket	2
26	C30502	\$12.99	BUSH, sway bar mounting	XJ6/12 68-84	2
	CAC4651-8	NA	BUSH, sway bar mounting	XJ6 85-87	2
27	C46186	\$26.99	LINK, sway bar	XJ6/12 74-87	2
28	C10996	\$2.29	BUSH, sway bar link		8
29	C33682	\$5.39	WASHER, sway bar bushing		4
30	C11045	\$2.59	CUP, sway bar bushing		4



**MOSS MOTORS, LTD.**  
TOLL-FREE ORDERS **1-800-667-7872**

# XJ6-XJ12 Rear Suspension



No.	Part No.	Price (each)	Description	Application	Qty. Req.	No.	Part No.	Price (each)	Description	Application	Qty. Req.
1	36-303-0	NA	SHOCK, rear, Boge		4	17	C16623-1	NA	FULCRUM TUBE, wishbone, outer		2
	GDA4182	NA	SHOCK, rear, Unipart		4	18	525-140	\$16.89	ROLLER BEARING, wishbone, outer		4
2	C29978	\$39.99	SPRING, rear		4	19	C16628	\$22.99	SEAL RETAINER, wishbone, outer		4
3	C17146	\$6.99	MOUNT, radius arm, small		2	20	C20180	NA	SEAL SPACER, wishbone, outer		4
4	C23782	\$18.99	MOUNT, radius arm, large		2	21	C20178	\$1.79	FELT SEAL, wishbone, outer		4
6	CAC3067	NA	MOUNT, subframe 'V'		2	22	C20179	\$24.99	SEAL SHELL, wishbone, outer		4
7	C40158	NA	REBOUND BUFFER		2	23	C20182	NA	RETAINING WASHER, wishbone, outer		4
8	C17008	NA	FULCRUM PIN, wishbone, inner		2	24	CAC2316	NA	PIVOT PIN, wishbone, outer		2
9	C17663-1	NA	FULCRUM TUBE, wishbone, inner		2	25	OS7605	\$10.29	SEAL, wheel, inner		2
10	C17168-1	\$29.99	TUBE, wishbone, inner		4	26	OS8521	\$6.99	SEAL, wheel, outer		2
11	C17167	\$10.99	NEEDLE BEARING, wishbone, inner		4	27	GHB139	NA	BEARING, wheel, inner		2
	328-610	\$0.39	GREASE NIPPLE		8	28	GHB140	\$33.99	BEARING, wheel, outer		2
12	C17166	NA	WASHER, wishbone, inner		8		GHK1026	\$42.99	KIT, wheel bearing		2
13	C17213	\$3.29	SEAL, wishbone, inner		8		GHK1026-AM	NA	KIT, wheel bearing		2
14	C17936	\$15.99	SEAL RETAINER, wishbone, inner		8		328-500	\$0.89	GREASE NIPPLE		2
15	C17165	NA	THRUST WASHER, wishbone, inner		8	29	CBC1784	\$299.99	WHEEL HUB		2
16	C16626-1	NA	SHIM, wishbone, outer .003		A/R	30	C13365	\$17.99	STUD, wheel		10
	C16626-2	\$4.89	SHIM, wishbone, outer .007		A/R	31	GUJ111	\$39.99	U-JOINT, axle shaft		4
							GUJ111-AM	\$11.99	U-JOINT, axle shaft		4

**LOCAL & OVERSEAS: 805-681-3400**  
**FAX: 805-692-2525**      [www.mossmotors.com](http://www.mossmotors.com)



# XJ6-XJ12 Filters, XJ12 Engine, Mounts

Part No.	Price (each)	Description	Application	Qty.	Notes
----------	--------------	-------------	-------------	------	-------

## FILTERS

950-585	\$10.89	OIL FILTER, cartridge	XJ6 68-75	1	aftermarket
950-595	\$19.99	OIL FILTER, spin-on	XJ6 76-87	1	aftermarket
GFE153	NA	OIL FILTER, cartridge	XJ12 73-74	1	
950-595	\$19.99	OIL FILTER, spin-on	XJ12 75-79	1	aftermarket
950-750	\$29.99	AIR FILTER	XJ6 70-77	1	aftermarket
950-795	\$27.99	AIR FILTER	XJ6 78-87	1	aftermarket
F9173K	NA	AIR FILTER	XJ12 73-74	1	
950-285	\$19.99	AIR FILTER	XJ12 75-79	2	Crosland
950-785	NA	AIR FILTER	XJ12 75-79	2	aftermarket
C28080	NA	FUEL FILTER	XJ6 68-73	1	O.E.
C28080-AM	\$8.99	FUEL FILTER	XJ6 68-73	1	Wix
JS660	NA	FUEL FILTER (carb.)	XJ6/12 73-75	1	
C41817	NA	FUEL FILTER (carb.)	XJ6 76-77	1	
73176	NA	FUEL FILTER, fuel injection	XJ6 78-79	1	
950-600	\$24.99	FUEL FILTER, fuel injection	XJ6 80-87	1	aftermarket

\*\* These filters are supplied by various manufacturers

## XJ12 ENGINE; LOWER END

C757	\$1.69	KEY, crankshaft		2	
C13892	NA	CRANK SPACER, split cone		1	
031-895	\$5.49	ROD NUT		24	
031-894	NA	ROD BOLT		24	
011-761	NA	DRAIN PLUG, engine		1	
011-764	\$21.39	DRAIN PLUG, engine, magnetic		1	
324-805	\$1.99	WASHER, drain plug		1	
C32680	NA	STUD, head 2.75"		12	OE
C32332	NA	STUD, head 4.65"		4	OE
C32331	NA	STUD, head 4.75"		4	OE
C32535	\$14.99	STUD, head 7.75"		10	OE
C32534	NA	STUD, head 8.5"		10	OE
C16862-2	NA	FREEZE PLUG, small		14	
C31177	\$99.99	TRANSDUCER, oil pressure	XJ12 73-76.5	1	80lbs, OE
C31177-AM	\$49.99	TRANSDUCER, oil pressure	XJ12 73-76.5	1	English repro
C46272	NA	TRANSDUCER, oil pressure	XJ12 76.5-79	1	100lbs, OE
C46272-AM	NA	TRANSDUCER, oil pressure	XJ12 76.5-79	1	English repro
18206	NA	PISTON, w/rings STD		12	AE
SA1771	NA	PISTON & LINER, assy		12	AE
2C4441	NA	RINGS, engine set STD		1	Hastings
VP91370	NA	BEARINGS, mains STD		1	Vandervell
M7325SB	\$154.39	BEARINGS, mains STD		1	AE/Glacier
VP91369	NA	BEARINGS, rod STD		1	Vandervell
VP95001	NA	THRUST, washer set		1	Vandervell
W2222SA	NA	THRUST, washer set		1	AE/Glacier
C29308	NA	BUSHING, small end con rod		12	
GEG1207	NA	GASKET SET, head	XJ12 73-75	1	Unipart
CH832	NA	GASKET SET, head F.I.	XJ12 76-79	1	Payen
GEG285	\$129.95	GASKET SET, conversion		1	Unipart
EH831	NA	GASKET SET, conversion		1	Payen
GEG456	\$6.99	GASKET, valve cover LH		1	Payen
EBC9628	\$59.99	GASKET, valve cover LH		1	OE new design
GEG455	\$6.99	GASKET, valve cover RH		1	Payen
EBC9627	\$59.99	GASKET, valve cover RH		1	OE new design
GEG560	\$4.99	GASKET, pan lower		1	Unipart
EBC9623	\$23.69	GASKET, pan lower		1	OE new design
EBC9637	\$19.99	GASKET, pan upper		1	OE new design
GEG686	\$2.89	GASKET, intake manifold (steel replacement)		12	Unipart
GEG688	\$4.99	GASKET, exhaust manifold		12	
EBC9632	\$2.29	GASKET, timing cover LH		1	
EBC9633	NA	GASKET, timing cover RH		1	
EBC9625	\$1.29	GASKET, timing cover UPPER		1	
GEG754	\$2.99	GASKET, exhaust flange		4	Unipart
535-085	\$2.29	SEAL, front crankshaft		1	
011-205	NA	SEAL, front crankshaft		1	Black
031-989	\$6.99	SEAL, rear main		2	
C30431	NA	SEAL, half moon valve cover		2	
C30431-AM	\$2.39	SEAL, half moon valve cover		2	
C42511	NA	SEAL, oil cap	XJ12 73-74	1	

## XJ12 TIMING COMPONENTS

C29635	NA	RAIL, t/chain LH lower		1	
C29636	NA	RAIL, t/chain LH upper		1	
C31068	NA	RAIL, t/chain RH upper		1	
C33917	NA	LOCKTAB, cam gear		2	
C37925	\$13.59	PLUG, timing cover		1	
C29590-AM	\$34.99	CHAIN, timing		1	
C30485	\$384.99	TENSIONER, timing chain		1	
C29635	NA	RAIL, t/chain LH lower		1	
C29636	NA	RAIL, t/chain LH upper		1	
C31068	NA	RAIL, t/chain RH upper		1	
C33917	NA	LOCKTAB, cam gear		2	
C37925	\$13.59	PLUG, timing cover		1	

Part No.	Price (each)	Description	Application	Qty.	Notes
----------	--------------	-------------	-------------	------	-------

## XJ12 ENGINE; UPPER END

V34356	\$6.49	VALVE, intake		12	AE
V34357	\$10.99	VALVE, exhaust		12	AE
VAG50923	\$3.59	GUIDE, intake/exhaust cast iron		24	AE
VAG50924	\$4.29	GUIDE, exhaust cast iron		12	
C27482	NA	KEEPERS, valve		24	
EAC5032	\$1.49	SEAL, valve stem, intake		12	OE
EAC5032-AM	NA	SEAL, valve stem, intake, aftermarket		12	Teflon
031-085	\$3.29	VALVE ADJ. SHIM, .085		A/R	
031-086	\$3.29	VALVE ADJ. SHIM, .086		A/R	
031-087	\$3.29	VALVE ADJ. SHIM, .087		A/R	
031-088	\$3.29	VALVE ADJ. SHIM, .088		A/R	
031-089	\$3.29	VALVE ADJ. SHIM, .089		A/R	
031-090	\$3.29	VALVE ADJ. SHIM, .090		A/R	
031-091	\$3.29	VALVE ADJ. SHIM, .091		A/R	
031-092	\$3.29	VALVE ADJ. SHIM, .092		A/R	
031-093	\$3.29	VALVE ADJ. SHIM, .093		A/R	
031-094	\$3.29	VALVE ADJ. SHIM, .094		A/R	
031-095	\$3.29	VALVE ADJ. SHIM, .095		A/R	
031-096	\$3.29	VALVE ADJ. SHIM, .096		A/R	
031-097	\$3.29	VALVE ADJ. SHIM, .097		A/R	
031-098	\$3.29	VALVE ADJ. SHIM, .098		A/R	
031-099	\$3.29	VALVE ADJ. SHIM, .099		A/R	
031-100	\$3.29	VALVE ADJ. SHIM, .100		A/R	
031-101	\$3.29	VALVE ADJ. SHIM, .101		A/R	
031-102	\$3.29	VALVE ADJ. SHIM, .102		A/R	
031-103	\$3.29	VALVE ADJ. SHIM, .103		A/R	
031-104	\$3.29	VALVE ADJ. SHIM, .104		A/R	
031-105	\$3.29	VALVE ADJ. SHIM, .105		A/R	
031-106	\$3.29	VALVE ADJ. SHIM, .106		A/R	
031-107	\$3.29	VALVE ADJ. SHIM, .107		A/R	
031-108	\$3.29	VALVE ADJ. SHIM, .108		A/R	
031-109	\$3.29	VALVE ADJ. SHIM, .109		A/R	
031-110	\$3.29	VALVE ADJ. SHIM, .110		A/R	
011-940	\$8.99	TAPPET, cam follower		24	
C30075-2	\$1.39	WASHER, cam bearing holder		24	
C37523	NA	DOME NUT, cyl head		28	
C32524	NA	DOME NUT, cyl head		8	
C29419	\$0.49	WASHER, dome nut		28	

## XJ12 OIL SYSTEM

C43923	NA	OIL COOLER, engine	XJ12 76-79	1	
C38074	NA	HOSE, oil cooler feed	XJ12 76-79	1	
C38075	NA	HOSE, oil cooler	XJ12 76-79	1	
EAC6337	\$2.69	GASKET, filter head	XJ12 76-79	1	
GFE153	NA	OIL FILTER, cartridge	XJ12 73-74	1	
950-595	\$19.99	OIL FILTER, spin-on	XJ12 75-79	1	various manufacturers

## MOUNTS

JLM1009	\$11.99	MOUNT, engine	XJ6 68-87	2	
JLM1010	\$24.99	MOUNT, engine	XJ12 73-79	2	MHC7522AA
C30314	\$14.99	MOUNT, front crossmember	XJ6 68-87, XJ12 73-79	2	Round
C45666	\$29.99	MOUNT, front crossmember	XJ6 68-87, XJ12 73-79	2	V-mount
CBC2517	NA	MOUNT, transmission seat	XJ6 68-87, XJ12 73-79	2	OE
CBC2517-AM	\$3.99	MOUNT, transmission seat	XJ6 68-87, XJ12 73-79	2	Aftermarket
C32461-AM	\$15.99	MOUNT, transmission side block	XJ6 74-87	2	Aftermarket
CAC3227-AM	\$3.99	SPOOL, transmission mount	XJ6 68-87, XJ12 73-79	1	
C12299	\$54.99	SPRING, transmission mount	XJ6 68-73	1	
C45902	\$99.99	SPRING, transmission mount	XJ6 74-87	1	Black/white

## AUTOMATIC TRANSMISSION

12598-AM	NA	KIT, filter and gasket	XJ6 68-73		
			XJ12 73-75	1	B/W model 12
0555-334151	NA	KIT, filter and gasket	XJ6 74-87	1	Model 65 and 66
AAU6639-AM	NA	KIT, filter and gasket	XJ12 76-78	1	GM400
10728-1	NA	GASKET, transmission pan	XJ6 68-73		
			XJ12 73-75	1	Model 12/35
AAU2073	\$6.29	GASKET, transmission filter	XJ6 74-87	1	Model 65/66
12553	NA	SEAL, front pump	XJ6 68-73		
			XJ12 73-75	1	Model 12
BAU1034	\$3.00	SEAL, front pump	XJ6 74-87	1	Model 65/66
12549	NA	SEAL, rear transmission	XJ6 68-73		
			XJ12 73-75	1	Model 12

Note: -AM suffix on part number indicates after-market part

MOSS

MOSS MOTORS, LTD.  
TOLL-FREE ORDERS

1-800-667-7872

# XJ6-XJ12 Transmission, Exhaust

Part No.	Price (each)	Description	Application	Qty.	Notes Req.
120-400	\$8.89	SEAL, rear transmission	XJ6 74-87	1	Model 65/66
JLM375	NA	SEAL, rear transmission	XJ12 76-78	1	GM400
461-445	\$2.49	SEAL, speedo pinion	XJ6 68-73		
			XJ12 73-78	1	At speedo gear
031-784	\$19.99	LOCKTAB, flexplate	XJ6 68-87		
			XJ12 73-78	1	XJ6 retrofit for -78
C44238	\$95.99	CABLE, kickdown	XJ6 75-87	1	Model 65/66
C44238-AM	\$21.99	CABLE, kickdown	XJ6 75-87	1	Model 65/66
CBC5224	\$193.99	CABLE, shift	XJ6 80-87	1	
CBC5224-AM	\$39.99	CABLE, shift	XJ6 80-87	1	
CAC4770	NA	PRNDL, shift plate	XJ6 80-87	1	W/o cruise control
CAC2864	\$15.99	BRUSHES, prndl	XJ6 68-87		
			XJ12 73-78	1	
141-100	NA	SWITCH, reverse light	XJ6 68-87		
			XJ12 73-78	1	Detent ball
140-470	\$9.29	SWITCH, reverse light	XJ6 68-87		
			XJ12 73-78	1	Intermotor
C33509	NA	MICROSWITCH, kickdown	XJ6 76-87		
			XJ12 76-78	1	Neutral safety switch -79
DAC4155	NA	SWITCH, inhibitor	XJ6 80-87	1	
DAC4570	\$179.99	TRANSDUCER, speedo	XJ6 82.5-87	1	Electronic speedo
CBC2517	NA	SEAT, transmission spring	XJ6 68-87		
			XJ12 73-78	2	OE
CBC2517-AM	\$3.99	SEAT, transmission spring	XJ6 68-87		
			XJ12 73-78	2	
C32461-AM	\$15.99	MOUNT, trans side block	XJ6 74-87	2	Aftermarket
CAC3227-AM	\$3.99	SPOOL, trans mount	XJ6 68-87		
			XJ12 73-78	1	Aftermarket
C12299	\$54.99	SPRING, trans mount	XJ6 68-73	1	
C45902	\$99.99	SPRING, trans mount	XJ6 74-87	1	Black/white

## DIFFERENTIAL

CBC2104-28R	NA	DIFFERENTIAL ASSY, rebuilt	XJ6 80-87	1	2.88:1 not POWER-LOK
	NA	CORE CHARGE for CBC2104-28R			
011-222	NA	BEARING, carrier	XJ6 68-87, XJ12 73-79	2	
12252	NA	BEARING, pinion inner	XJ6 68-87, XJ12 73-79	1	
125-150	\$29.59	BEARING, pinion front	XJ6 68-87, XJ12 73-79	1	
12261	NA	BEARING, stub axle	XJ6 68-76.5, XJ12 73-76.5	2	
CAC4999	\$13.99	BEARING, stub axle	XJ6 76.5-87, XJ12 73-79	4	
12456	\$15.99	CRUSH SLEEVE, pinion bearing	XJ6 68-87, XJ12 73-79	1	
031-954	\$2.89	GASKET, cover	XJ6 68-87, XJ12 73-79	1	
12473	NA	O-RING, stub axle	XJ6 68-76.5, XJ12 73-76.5	2	
RTC1340	\$0.99	O-RING, stub axle	XJ6 76.5-87, XJ12 73-79	2	
535-234	\$27.99	OIL SEAL, pinion	XJ6 68-76.5, XJ12 73-76.5	1	
JLM527	NA	OIL SEAL, pinion	XJ6 76.5-87, XJ12 73-79	1	
RTC1216	\$13.89	OIL SEAL, stub axle	XJ6 68-76.5, XJ12 73-76.5	2	
JLM1264	NA	OIL SEAL, stub axle	XJ6 76.5-87, XJ12 73-79	2	
JLM1264-AM	\$8.99	OIL SEAL, stub axle	XJ6 76.5-87, XJ12 73-79	2	
RTC1348	NA	CRUSH SLEEVE, stub axle	XJ6 76.5-87, XJ12 73-79	2	
CAC3067	NA	MOUNT, V-block	XJ6 68-87, XJ12 73-79	4	

## EXHAUST

6403901	NA	DOWN PIPE, front	XJ6 68-72	1	2 into 1 into 2
6203902	NA	PIPE, front RH	XJ6 68-72	1	
6203903	NA	PIPE, front LH	XJ6 68-72	1	
5103904	NA	MUFFLER, front RH	XJ6 68-72	1	
5103905	NA	MUFFLER, front LH	XJ6 68-72	1	
6103911	NA	PIPE, rear RH	XJ6 68-72	1	Over axle
6103912	NA	PIPE, rear LH	XJ6 68-72	1	Over axle
5203913	NA	MUFFLER, rear RH	XJ6 68-72	1	
5203914	NA	MUFFLER, rear LH	XJ6 68-72	1	
	NA	TIP, tailpipe	XJ6 68-71	2	Straight
GEG754	\$2.99	GASKET, downpipe	XJ6 68-72	2	
GEX7459	\$3.79	MOUNT, rubber	XJ6 68-72	2	At cross over pipe
GEX7324	NA	MOUNT, bakelite bushing	XJ6 68-72	2	At cross over pipe
GEX7460	NA	MOUNT, muffler rear	XJ6 68-72	2	
6103917	NA	DOWN PIPE, front	XJ6 73-74	1	To Y pipe
6103920	NA	DOWN PIPE, front	XJ6 75-76	1	To catalyst
MM1426	NA	CATALYST, front	XJ6 75-76	1	
	NA	Y PIPE, intermediate	XJ6 73-74	1	Short wheel base
6603919	NA	Y PIPE, intermediate	XJ6 73-74	1	Long wheel base
5103904	NA	MUFFLER, front RH	XJ6 73-76	1	
5103905	NA	MUFFLER, front LH	XJ6 73-76	1	
6103911	NA	PIPE, rear RH	XJ6 73 only	1	Over axle
6103912	NA	PIPE, rear LH	XJ6 73 only	1	Over axle
6103921	NA	PIPE, rear RH	XJ6 74-76	1	Over axle
6103922	NA	PIPE, rear LH	XJ6 74-76	1	Over axle

Part No.	Price (each)	Description	Application	Qty.	Notes Req.
5203913	NA	MUFFLER, rear RH	XJ6 73 only	1	
5203914	NA	MUFFLER, rear LH	XJ6 73 only	1	
5203923	NA	MUFFLER, rear RH	XJ6 74-76	1	
5203924	NA	MUFFLER, rear LH	XJ6 74-76	1	
GEX1511	NA	TIP, tailpipe RH	XJ6 73-76	1	'S' shape
GEX1512	NA	TIP, tailpipe LH	XJ6 73-76	1	'S' shape
GEG754	\$2.99	GASKET, downpipe	XJ6 73-76	2	
GEX7441	\$4.99	OLIVE, metal	XJ6 75-77	2	At front catalyst
GEX7459	\$3.79	MOUNT, rubber	XJ6 73-76	2	At cross over pipe
GEX7324	NA	MOUNT, bakelite bushing	XJ6 73-76	2	At cross over pipe
GEX7460	NA	MOUNT, muffler rear	XJ6 73-76	2	
6103920	NA	DOWN PIPE, front	XJ6 76-77	1	
MM1426	NA	CATALYST, front	XJ6 76-77	1	
5103905	NA	MUFFLER, front LH	XJ6 76-77	1	
5103904	NA	MUFFLER, front RH	XJ6 76-77	1	
6103921	NA	PIPE, rear RH	XJ6 76-77	1	Over axle
6103922	NA	PIPE, rear LH	XJ6 76-77	1	Over axle
5203923	NA	MUFFLER, rear RH	XJ6 76-77	1	
5203924	NA	MUFFLER, rear LH	XJ6 76-77	1	
GEX1511	NA	TIP, tailpipe RH	XJ6 76-77	1	'S' shape
GEX1512	NA	TIP, tailpipe LH	XJ6 76-77	1	'S' shape
GEG754	\$2.99	GASKET, downpipe	XJ6 76-77	2	
GEX7441	\$4.99	OLIVE, metal	XJ6 76-77	2	At front catalyst
GEX7459	\$3.79	MOUNT, rubber	XJ6 76-77	2	At cross over pipe
GEX7324	NA	MOUNT, bakelite bushing	XJ6 76-77	2	At cross over pipe
GEX7460	NA	MOUNT, muffler rear	XJ6 76-77	2	
6103920	NA	DOWN PIPE, front	XJ6 78 only	1	
MM1426	NA	CATALYST, front	XJ6 78 only	1	
MM1425	\$495.00	CATALYST, front	XJ6 78-79	1	2T69451- Downpipe
6603919	NA	Y PIPE, intermediate	XJ6 78-79	1	2T69451-
5103971	NA	MUFFLER, front RH	XJ6 78-79	1	
5103972	NA	MUFFLER, front LH	XJ6 78-79	1	
6203957	NA	PIPE, rear RH	XJ6 78-79	1	Over axle
6203958	\$42.99	PIPE, rear LH	XJ6 78-79	1	Over axle
5203975	NA	MUFFLER, rear RH	XJ6 78-79	1	
5203976	NA	MUFFLER, rear LH	XJ6 78-79	1	
GEX1511	NA	TIP, tailpipe RH	XJ6 78-79	1	'S' shape
GEX1512	NA	TIP, tailpipe LH	XJ6 78-79	1	'S' shape
GEG754	\$2.99	GASKET, downpipe	XJ6 78-79	2	
GEX7441	\$4.99	OLIVE, metal	XJ6 78-79	2	At front catalyst
444-130	\$2.89	OLIVE, metal	XJ6 77-79	2	At rear catalyst
GEX7459	\$3.79	MOUNT, rubber	XJ6 78-79	2	At cross over pipe
GEX7324	NA	MOUNT, bakelite bushing	XJ6 78-79	2	At cross over pipe
GEX7460	NA	MOUNT, muffler rear	XJ6 78-79	2	
	NA	DOWN PIPE, front	XJ6 80 only	1	Without catalyst
6603919	NA	Y PIPE, intermediate	XJ6 80 only	1	Without catalyst
MM1425	\$495.00	CATALYST, front	XJ6 80-87	1	Downpipe assy
MM1427	\$350.95	CATALYST, rear	XJ6 81-87	1	Y pipe assy
5103971	NA	MUFFLER, front RH	XJ6 80-87	1	
5103972	NA	MUFFLER, front LH	XJ6 80-87	1	
6203957	NA	PIPE, rear RH	XJ6 80-83	1	Over axle
6203958	\$42.99	PIPE, rear LH	XJ6 80-83	1	Over axle
6204062	NA	PIPE, rear RH	XJ6 83-87	1	Over axle
6204063	NA	PIPE, rear LH	XJ6 83-87	1	Over axle
5204052	NA	MUFFLER, rear RH	XJ6 80-87	1	
5204053	NA	MUFFLER, rear LH	XJ6 80-87	1	
444-130	\$2.89	OLIVE, metal	XJ6 80-87	2	Over axle pipe
GEX1782	NA	TIP, tailpipe RH	XJ6 80-81	1	
GEX1783	NA	TIP, tailpipe LH	XJ6 80-81	1	
GEX1792	NA	TIP, tailpipe	XJ6 82-87	2	Without flare
CAC4332	\$58.99	TIP, tailpipe	XJ6 82-87	2	With flare
GEG754	\$2.99	GASKET, downpipe	XJ6 80-87	2	
GEX7441	\$4.99	OLIVE, metal	XJ6 80-87	2	At front catalyst
444-130	\$2.89	OLIVE, metal	XJ6 80-87	2	At rear catalyst
GEX7459	\$3.79	MOUNT, rubber	XJ6 80-83	2	At cross over pipe
GEX7324	NA	MOUNT, bakelite bushing	XJ6 80-83	2	At cross over pipe
CAC2751	NA	MOUNT, rubber	XJ6 83-87	2	At cross over pipe
CAC2750	NA	MOUNT, bakelite bushing	XJ6 83-87	2	At cross over pipe
GEX7460	NA	MOUNT, muffler rear	XJ6 80-87	2	
6103948	NA	DOWN PIPE, front RH	XJ12 74 only	1	
MM1432	NA	CATALYST, front RH	XJ12 75 only	1	At downpipe
6103949	NA	DOWN PIPE, front LH	XJ12 74 only	1	
MM1433	NA	CATALYST, front LH	XJ12 75 only	1	At downpipe
6603951	NA	PIPE, intermediate	XJ12 74 only	2	Sedan only
5103929	NA	MUFFLER, front RH	XJ12 74-75	1	
5103930	NA	MUFFLER, front LH	XJ12 74-75	1	
6203940	NA	PIPE, rear RH	XJ12 74-75	1	Over axle
6203941	NA	PIPE, rear LH	XJ12 74-75	1	Over axle

Note: -AM suffix on part number indicates after-market part

LOCAL & OVERSEAS: 805-681-3400

FAX: 805-692-2525 www.mossmotors.com

MOSS

# XJ6-XJ12 Exhaust, Fuel System

Part No.	Price (each)	Description	Application	Qty.	Notes
5203942	NA	MUFFLER, rear RH	XJ12 74-75	1	
5203943	NA	MUFFLER, rear LH	XJ12 74-75	1	
GEX1511	NA	TIP, tailpipe RH	XJ12 74-75	1	'S' shape
GEX1512	NA	TIP, tailpipe LH	XJ12 74-75	1	'S' shape
GEG754	\$2.99	GASKET, downpipe	XJ12 74-75	4	
GEX7441	\$4.99	OLIVE, metal	XJ12 75	2	At front catalyst
GEX7459	\$3.79	MOUNT, rubber	XJ12 74-75	2	At cross over pipe
GEX7324	NA	MOUNT, bakelite bushing	XJ12 74-75	2	At cross over pipe
GEX7460	NA	MOUNT, muffler rear	XJ12 74-75	2	
MM1432	NA	CATALYST, front RH	XJ12 76-78	1	At downpipe
MM1433	NA	CATALYST, front LH	XJ12 76-78	1	At downpipe
	NA	PIPE, intermediate RH	XJ12 76-78	1	Sedan only
	NA	PIPE, intermediate LH	XJ12 76-78	1	Sedan only
5103929	NA	MUFFLER, front RH	XJ12 76-77	1	
5103930	NA	MUFFLER, front LH	XJ12 76-77	1	
5103955	NA	MUFFLER, front RH	XJ12 78 only	1	
5103956	NA	MUFFLER, front LH	XJ12 78 only	1	
6203940	NA	PIPE, rear RH	XJ12 76-77	1	Over axle
6203941	NA	PIPE, rear LH	XJ12 76-77	1	Over axle
6203957	NA	PIPE, rear RH	XJ12 78 only	1	Over axle
6203958	\$42.99	PIPE, rear LH	XJ12 78 only	1	Over axle
5203975	NA	MUFFLER, rear RH	XJ12 76-78	1	
5203976	NA	MUFFLER, rear LH	XJ12 76-78	1	
GEX1511	NA	TIP, tailpipe RH	XJ12 76-78	1	'S' shape
GEX1512	NA	TIP, tailpipe LH	XJ12 76-78	1	'S' shape
GEG754	\$2.99	GASKET, downpipe	XJ12 76-78	4	
GEX7441	\$4.99	OLIVE, metal	XJ12 76-78	1	At front catalyst
GEX7459	\$3.79	MOUNT, rubber	XJ12 76-78	2	At cross over pipe
GEX7324	NA	MOUNT, bakelite bushing	XJ12 76-78	2	At cross over pipe
GEX7460	NA	MOUNT, muffler rear	XJ12 76-78	2	
MM1432	NA	CATALYST, front RH	XJ12 78-79	1	At downpipe
MM1433	NA	CATALYST, front LH	XJ12 78-79	1	At downpipe
	NA	PIPE, intermediate RH	XJ12 78-79	1	Sedan only
	NA	PIPE, L/H intermediate	XJ12 78-79	1	Sedan only
5103955	NA	MUFFLER, front RH	XJ12 78-79	1	
5103956	NA	MUFFLER, front LH	XJ12 78-79	1	
6203957	NA	PIPE, rear RH	XJ12 78-79	1	Over axle
6203958	\$42.99	PIPE, rear LH	XJ12 78-79	1	Over axle
5203975	NA	MUFFLER, rear RH	XJ12 78-79	1	
5203976	NA	MUFFLER, rear LH	XJ12 78-79	1	
GEX1511	NA	TIP, tailpipe RH	XJ12 78-79	1	'S' shape
GEX1512	NA	TIP, tailpipe LH	XJ12 78-79	1	'S' shape
GEG754	\$2.99	GASKET, downpipe	XJ12 78-79	4	
GEX7441	\$4.99	OLIVE, metal	XJ12 78-79	1	At front catalyst
444-130	\$2.89	OLIVE, metal	XJ12 78-79	2	At rear catalyst
GEX7459	\$3.79	MOUNT, rubber	XJ12 78-79	2	At cross over pipe
GEX7324	NA	MOUNT, bakelite bushing	XJ12 78-79	2	At cross over pipe
GEX7460	NA	MOUNT, muffler rear	XJ12 78-79	2	

## FUEL SYSTEM

C28080	NA	FILTER, fuel	XJ6 70-73	1	
C28080-AM	\$8.99	FILTER, fuel	XJ6 70-73	1	
JS660	NA	FILTER, fuel	XJ6 73-75, XJ12 73-74	1	
C41817	NA	FILTER, fuel	XJ6 76-77	1	
73176	NA	FILTER, fuel	XJ6 78-79	1	
73145	NA	FILTER, fuel	XJ12 75-78	1	
950-100	NA	FILTER, fuel	XJ6 80-87	1	Crosland
950-600	\$24.99	FILTER, fuel	XJ6 80-87	1	various manufacturers
377-161	\$169.99	FUEL PUMP	XJ6 68-75	1/2	O-rings @ banjo
377-036	\$449.99	FUEL PUMP	XJ12 73-75	1	Double pump
CAC3551-AM	\$99.99	FUEL PUMP KIT, LH or RH	XJ6 76-77	1	Pump only
73351	NA	FUEL PUMP, in trunk F.I.	XJ6 78-87	1	suggest using 377-325
377-325	\$189.99	FUEL PUMP, F.I.	XJ12 75-79	1	Aftermarket
CAC5522-1	NA	TANK, fuel RH	XJ6 79-87	1	
CAC5523-1	NA	TANK, fuel LH	XJ6 79-87	1	
C27738	\$74.99	SENDING UNIT, tank RH	XJ6/12 68-76.5, 78-79	1	
C27739	\$74.99	SENDING UNIT, tank LH	XJ6/12 68-76.5, 78-79	1	
CAC2800-AM	NA	SENDING UNIT, tank RH	XJ6/12 76.5-78, 80-87	1	
CAC2801-AM	\$42.99	SENDING UNIT, tank LH	XJ6/12 76.5-78, 80-87	1	
360-645	\$8.49	FLOAT, sending unit	XJ6 68-87, XJ12 73-79	1	
TSU101	NA	KIT, seal and clamp	XJ6 68-87, XJ12 73-79	1	
293-410	\$2.99	SEAL, sending unit & immersed pumps	XJ6 68-87, XJ12 73-79	1	
360-665	\$0.99	CLAMP, sending unit & immersed pumps	XJ6 68-87, XJ12 73-79	1	
AEU1576	NA	SEAL, gas cap RH	XJ6 79-87	1	
AEU1474	NA	SEAL, gas cap LH	XJ6 79-87	1	
CBC4270	\$109.99	VALVE, fuel return RH	XJ6 74-87, XJ12 74-79	1	TDA831
CAC3939	\$149.99	VALVE, fuel return LH	XJ6 74-87, XJ12 74-79	1	TDA832
CBC4269	NA	VALVE, fuel feed 3-way	XJ6 74-87, XJ12 74-79	1	TDA830
C31821	NA	CABLE, accelerator	XJ6 74-79	1	31 inches
C31821-1	NA	CABLE, accelerator	XJ6 74-79	1	36 inches

Note: -AM suffix on part number indicates after-market part

Part No.	Price (each)	Description	Application	Qty.	Notes
C31821-1-AM	NA	CABLE, accelerator	XJ6 74-79	1	36 inches
CBC1905-2	NA	CABLE, accelerator	XJ6 78-87	1	51 inches
CBC1915-1	\$145.99	CABLE, accelerator	XJ12 73-79	1	
C33509	NA	SWITCH, kickdown	All Jags when used	1	
C34388	\$13.99	BUSH, firewall mount	All Jags when used	1	

### CARBURETORS

C34388	\$13.99	BUSHING, accelerator	XJ6 68-81	1	At firewall plate
ZE-19K	\$56.99	KIT, carburetor overhaul	XJ6 68-79	2	Stromberg
ZE-20K	\$54.99	KIT, carburetor overhaul	XJ12 73-74	4	Stromberg
366-040	\$6.29	DIAPHRAGM, carb	XJ6 68-76	2/4	Stromberg
B20287	\$29.99	NEEDLE, metering B1AR	XJ6 68-71	2	Stromberg
B21582	\$24.99	JET	XJ6 68-79	2	Stromberg
365-370	\$26.99	DAMPER, dash pot	XJ6 68-76		
			XJ12 73-74	2/4	Stromberg
696-026	\$3.29	SEAL & CUP, throttle shaft	XJ6 68-76	4	Stromberg
696-025	\$2.99	SEAL, throttle shaft	XJ6 68-76	4	Stromberg
365-506	\$16.99	FLOAT, ethanol-proof	XJ6 68-76	2	Stromberg
365-505	\$23.99	FLOAT, orig. type	XJ6 68-76	2	Stromberg
365-530	\$15.99	NEEDLE and SEAT	XJ6 68-76	2	Stromberg
386-350	\$14.69	NEEDLE and SEAT, Grose jet	XJ6 68-76	2	Stromberg
B18536-AM	\$5.99	GASKET, carb float	XJ6 68-76	2	Stromberg
365-745	\$15.79	DIAPHRAGM KIT, bypass valve	XJ6 68-76	2	Stromberg
AGU1506	NA	CLIP, choke	Stromberg	1	
386-310	\$9.69	TOOL, carb adjusting	Stromberg	1	
220-225	\$11.99	DAMPER OIL	Stromberg	1	
B21989	NA	NEEDLE, metering B1BT	XJ6 71-72	2	Stromberg
B22415	NA	NEEDLE, metering B1CG	XJ6 72-74	2	Stromberg
B23759	NA	NEEDLE, metering B2AZ	XJ6 74 (later)	2	Stromberg
B24399	\$27.99	NEEDLE, metering B2BC	XJ6 75-76	2	Stromberg

## FUEL INJECTION XJ6

73179	NA	INJECTOR, fuel	XJ6 77-87	6	
54739778	\$1.99	O-RING, injector (small)	XJ6 77-87	6	
54739776	\$1.99	O-RING, injector (large)	XJ6 77-87	6	
EAC4406	NA	O-RING, injector (tip)	XJ6 77-87	6	
FDB304	NA	INJECTOR, cold start	XJ6 77-87	1	
C42162	NA	GASKET, cold start injector	XJ6 77-87	1	
73177	NA	PRESSURE regulator	XJ6 77-83	1	
73232	\$99.00	PRESSURE regulator	XJ6 84-87	1	
SNB802	\$14.99	SENSOR, water temp	XJ6 77-91	1	
SNB802-AM	\$12.99	SENSOR, water temp	XJ6 77-91	1	Aftermarket
072-375	\$59.99	OXYGEN SENSOR, lambda	XJ6 77-85	1	Single wire
AGU1870	NA	OXYGEN SENSOR, lambda	XJ6 78-87 (some)	1	3 wire
33704	NA	SWITCH, thermo time	XJ6 77-87	1	
33703	NA	SWITCH, throttle	XJ6 77-87	1	
33394	NA	RELAY, main pump	XJ6 77-87	1	
SRB304	\$22.99	RELAY, fuel injection	XJ6 77-87	2	
73184	NA	POWER RESISTOR	XJ6 77-87	2	
73174	NA	EXTRA AIR VALVE	XJ6 77-81	1	Aux. air valve
73212	NA	AUXILIARY AIR VALVE	XJ6 82-87	1	Extra air valve
EAC6780	NA	HOSE, air flow meter	XJ6 77-87	1	Accordian
EAC1301	NA	HOSE, throttle body to manifold	XJ6 77-87	1	Straight
LRZ500	NA	AIR FLOW METER, rebuilt	XJ6 77-87	1	
	NA	CORE CHARGE for LRZ500		1	
EAC6806	\$20.99	MOUNT, air flow meter	XJ6 77-87	3	
011-101	\$2.49	MOUNT, air flow meter	XJ6 77-87	3	Aftermarket
54739496	NA	VALVE, fuel non return	XJ6 74-87	1	
C43265-1	NA	SEAL, throttle body	XJ6 77-87	2	

## FUEL INJECTION XJ12

54739778	\$1.99	SEAL, injector (small)	XJ12 75-79	12	
54739776	\$1.99	SEAL, injector (large)	XJ12 75-79	12	
73160	NA	INJECTOR, cold start	XJ12 75-79	2	
73146	NA	PRESSURE regulator	XJ12 77-79	1	
73142	NA	SENSOR, water temperature	XJ12 75-79	1	
73192	NA	AUXILIARY AIR VALVE	XJ12 76.5-79	1	'Extra air valve'
54739496	NA	VALVE, fuel pump non-return	XJ12 75-79	1	
33704	NA	SWITCH, thermo time	XJ12 75-79	1	
33354	NA	RELAY, main	XJ12 75-79	1	
33355	NA	RELAY, pump	XJ12 75-79	1	
33355	NA	RELAY, cold start	XJ12 75-79	1	

MOSS

MOSS MOTORS, LTD.  
TOLL-FREE ORDERS

1-800-667-7872

# XJ6-XJ12 Transmission, Exhaust

Part No.	Price (each)	Description	Application	Qty.	Notes
<b>V BELTS &amp; THERMOSTATS</b>					
GCB21160	NA	BELT, water pump/power steering	XJ6 68-73	1	
460-970	\$4.79	BELT, alternator	XJ6 68-73	1	W/Butec alt
GCB10887	NA	BELT, alternator	XJ6 68-73	1	W/Lucas alt
GFB20993	\$22.59	BELT, air conditioning	XJ6 68-73	1	
GCB10887	NA	BELT, smog pump	XJ6 70-73	1	
GCB21160	NA	BELT, water pump/power steering	XJ6 74-79	1	
GCB10887	NA	BELT, alternator	XJ6 74-79	1	
GFB20993	\$22.59	BELT, air conditioning	XJ6 74-79	1	
GCB10887	NA	BELT, smog pump	XJ6 74-79	1	
GCB10850	\$6.99	BELT, alternator	XJ6 80-81.5 -326017	1	
117-013	\$9.99	BELT, alternator	XJ6 81.5-87 326016-	1	
GCB21160	NA	BELT, water pump/power steering	XJ6 80-87	1	
GFB20993	\$22.59	BELT, air conditioning	XJ6 80-87	1	
GCB10887	NA	BELT, smog pump	XJ6 80-87	1	
GFB21512	NA	BELT, fan	XJ12 73-79	1	
GCB10850	\$6.99	BELT, alternator	XJ12 73-79	1	
GFB21512	NA	BELT, air conditioning	XJ12 73-79	1	
780-264	\$14.79	BELT, power steering	XJ12 73-79	1	
071-232	\$7.49	THERMOSTAT, 165F (74C)	XJ6 68-87, XJ12 73-79	1	Summer
071-226	\$7.99	THERMOSTAT, 180F (82C)	XJ6 68-87, XJ12 73-79	1	
GTS271	\$9.99	THERMOSTAT, 190F (88C)	XJ6 68-87, XJ12 73-79	1	
GTG107	\$2.39	GASKET, thermostat	XJ6 68-87	1	
EAC7044	NA	GASKET, thermostat INNER	XJ6 68-87	1	Hsg. to manifold
EAC7046	NA	GASKET, t-stat housing	XJ6 77-87	1	
GTG128	\$1.49	GASKET, thermostat	XJ12 73-74	2	
GTG129	NA	GASKET, thermostat LH	XJ12 75-79	1	
GTG130	NA	GASKET, thermostat RH	XJ12 75-79	1	

## AIR CONDITIONING

KRC1152	\$0.59	O-RING, small 1/8"	XJ6/12 77.5-87		
			XJ12 77.5-78	A/R	Various A/C apps
KRC1154	NA	O-RING, medium 15/32"	XJ6 78-87	A/R	Various A/C apps
KRC1156	\$1.99	O-RING, large 3/8"	XJ6/12 77.5-87		
			XJ12 77.5-78	A/R	Various A/C apps
KRC1158	\$0.99	O-RING, medium 11/16"	XJ6 77.5-87	A/R	Various A/C apps
C32083-AM	NA	RECEIVER DRIER	XJ6 68-77.5	1	
CAC2338-AM	NA	RECEIVER DRIER	XJ6 77.5-82	1	Vertical w/bracket
CAC1622-AM	NA	RECEIVER DRIER	XJ12 73-80	1	Horiz., no o-rings
CAC1881-AM	NA	RECEIVER DRIER	XJ6 82-87	1	Horiz., with o-rings
C41014	\$1.09	PAD, receiver drier mount	XJ6 82-87	2	Fits on CAC1881
EAC3386R	NA	COMPRESSOR, rebuilt	XJ6 74-87	1	Heat switch version
DAC3374	NA	SWITCH, limiter	XJ6 68-87	1	
CAC3119	NA	CONDENSER, a/c	XJ6 78-81	1	
CBC2809-AM	NA	CONDENSER, a/c	XJ6 82-87	1	
CBC1448	NA	MOUNT, condenser	XJ6 68-87, XJ12 73-78	2/4	
AEU1191-AM	NA	EVAPORATOR	XJ6 77.5-87, XJ12 77.5-78	1	
CAC2355	NA	HOSE, cooler to comp.	XJ6 74-77	1	
CAC3324	NA	HOSE, comp. to cond.	XJ6 78-85.5 -424474	1	
CAC3324-AM	NA	HOSE, comp. to cond.	XJ6 78-85.5 -424474	1	
CAC2035	NA	HOSE, drier to evap.	XJ6 78-82.5 -330665	1	
CAC4019	NA	HOSE, drier to evap.	XJ6 82.5-87 330666-	1	Metric fittings
CAC1869	NA	HOSE, evap. to cooler	XJ6 78-85.5 -424474	1	
CAC1869-AM	NA	HOSE, evap. to cooler	XJ6 78-85.5 -424474	1	
CAC6665	NA	HOSE, comp. to cond.	XJ6 85.5-87 424475-	1	
CAC6657	NA	HOSE, evap. to cooler	XJ6 85.5-87 424475-	1	
BBC7563	NA	RADIO PLATE, a/c and heating	XJ6 80-87	1	In dash
C39413	NA	KNOB, control	XJ6 74-87, XJ12 74-78	2	White rectangle
C41403	NA	LOCK NUT, knob	XJ6 74-87, XJ12 74-78	2	
RTC687	NA	SWITCH, vacuum	XJ6 74-87, XJ12 74-78	1	On control panel
RTC677	NA	RESISTOR, on a/c unit	XJ6 74-87, XJ12 74-78	1	Dual coil
RTC1914	NA	VALVE, heater flap	XJ6 74-87, XJ12 74-78	1	On blower motor
C42433	NA	SENSOR, ambient air	XJ6 74-87, XJ12 74-78	1	
C45402-AM	NA	AMPLIFIER, a/c	XJ6 74-87, XJ12 74-78	1	USA made
SRB303	NA	RELAY, a/c	XJ6 74-87, XJ12 74-78	1	
CAC4188-AM	NA	CHECK VALVE	XJ6 74-87	2	Black & white
BAC1586	NA	VENT, center	XJ6 74-87	1	
BD38453	NA	VENT, top LH	XJ6 74-87	1	Adjustable
BD38452	NA	VENT, top RH	XJ6 74-87	1	Adjustable

## STEERING

26-1912	NA	STEERING RACK, rebuilt	XJ6 68-76, XJ12 73-75	1	Tall tower
26-1913	NA	STEERING RACK, rebuilt	XJ6 76-82, XJ12 76-79	1	Short tower
26-1915	NA	STEERING RACK, rebuilt	XJ6 82-87	1	Short tower, small ends
11983	\$64.99	SEAL KIT, steering rack	XJ6 68-70.5	1	Power assist only
12715-AM	NA	SEAL KIT, steering rack	XJ6 70.5-73, XJ12 73	1	Aftermarket
JS726	\$69.99	SEAL KIT, steering rack	XJ6 74-77, XJ12 74-75	1	

Part No.	Price (each)	Description	Application	Qty.	Notes
AU1503	\$129.99	SEAL KIT, steering rack	XJ6 78-80.5, XJ12 76-79	1	
JLM533-AM	NA	SEAL KIT, steering rack	XJ6 80.5-87	1	Aftermarket
AEU1248	\$3.99	TOWER SEAL, short tower	XJ6 76-87, XJ12 76-79	1	Comes in rack seal kit
EAC3167-AM	NA	PUMP, steering w/o hub	XJ6 77-87, XJ12 77-79	1	Metric fittings
37H7627J	NA	CAP, power steering pump	XJ6 68-87, XJ12 73-79	1	
CAC1634	\$6.99	MOUNT, rack	XJ6 68-87	3	
CAC1634-AM	\$6.99	MOUNT, rack	XJ6 68-87	3	
CAC1635	\$7.99	MOUNT, rack	XJ12 73-79	3	
CAC1635-AM	\$6.99	MOUNT, rack	XJ12 73-79	3	
CAC1635K	\$32.99	MOUNT KIT, poly.	XJ6 68-87, XJ12 73-79	1	complete kit
C29406	\$3.19	WASHER, rack mount	XJ6 68-87, XJ12 73-79	4/6	Rubberized
387-045	NA	TOOL, rack mount	XJ6 68-87, XJ12 73-79	1	For mount installation
SRG828	NA	BOOT KIT, rack	XJ6 68-76, XJ12 73-76	1	Both boots w/clamps
011-018	\$8.99	BOOT KIT, rack	XJ6 76-87, XJ12 76-79	1	Both boots w/clamps
JLM409	\$86.29	TIE ROD, inner	XJ6 82-87	2	Can retrofit 76-82
JLM469	\$50.00	TIE ROD, kit	XJ6 82-87	2	Can retrofit 76-82
GSJ206	NA	TIE ROD END, outer	XJ6 68-82, XJ12 73-79	2	Standard fittings
GSJ206-AM	NA	TIE ROD END, outer	XJ6 68-82, XJ12 73-79	2	Standard fittings
GSJ203	NA	TIE ROD END, outer	XJ6 82-87	2	Metric fittings
GSJ203-AM	\$16.99	TIE ROD END, outer	XJ6 82-87	2	Metric fittings
680-060	\$2.29	BOOT, tie rod end	XJ6 68-87, XJ12 73-79	2	Replacement
C37741	NA	HOSE, low pressure	XJ6 68-78	1	Std fitting
C37742-AM	\$49.99	HOSE, high pressure	XJ6 68-78	1	Std fitting
CAC2484	NA	HOSE, low pressure	XJ6 78-87	1	
CAC2485	NA	HOSE, high pressure	XJ6 78-81 -312606	1	Aftermarket
CAC3653	NA	HOSE, high pressure	XJ6 82-87 312607-	1	Metric fittings
CAC3653-AM	NA	HOSE, high pressure	XJ6 82-87 312607-	1	Metric fittings
C36425	NA	HOSE, low pressure	XJ12 73-75	1	
C36426-AM	NA	HOSE, high pressure	XJ12 73-75	1	
C43722	NA	HOSE, low pressure	XJ12 76-79	1	Rack to cooler
C43604-1	\$49.99	HOSE, low pressure	XJ12 76-79	1	Pump to cooler
C45538	NA	HOSE, high pressure	XJ12 76-79	1	Standard fittings
C45538-AM	NA	HOSE, high pressure	XJ12 76-79	1	Standard fittings
CBC4652	NA	STEERING COLUMN, upper	XJ6 80-87	1	With horn contact
CAC3059-1-AM	NA	STEERING COLUMN, lower	XJ6 68-77.5	1	
			XJ12 73-77.5	1	Tall tower
CAC3059-2-AM	NA	STEERING COLUMN, lower	XJ6 77.5-79	1	
			XJ12 77.5-79	1	Short tower
CAC2765-3	NA	STEERING COLUMN, lower	XJ6 80-87	1	With shield
CAC3470	\$46.99	COUPLING, with u-joint	XJ6/12 68-87	1	
			XJ12 73-79	1	
C37102	NA	STEERING LOCK, assy	XJ6 68-73	1	W/o switch (39998)
DAC1419	NA	STEERING LOCK, assy	XJ6 74-79	1	
			XJ12 74-79	1	With electrical
DAC4153	NA	STEERING LOCK, assy	XJ6 80-87	1	No shear bolts
DAC4153-AM	NA	STEERING LOCK, assy	XJ6 80-87	1	No shear bolts
39998	NA	SWITCH, ignition	XJ6 68-79	1	
			XJ12 73-79	1	Can use 39415
35315	NA	SWITCH, ignition	XJ6 80-87	1	
DAC4154	\$4.69	SHEAR BOLT, steering lock	XJ6 68-87	2	Breakaway head
			XJ12 73-79	2	

## EMISSION CONTROLS

CAC1259	NA	CARBON CANISTER	XJ6 70-79, XJ12 73-78	1	Suggest CAC3814
CAC3814	NA	CARBON CANISTER	XJ6 80-87	1	
C34017	NA	CHECK VALVE	XJ6 68-87, XJ12 73-78	1	
367-110	\$82.99	VALVE, anti run on	XJ6 68-76.5, XJ12 73-76	1	
850-230	NA	SWITCH, thermo. vacuum	XJ6 68-79, XJ12 73-79	1	
EAC9711	NA	DIVERTER VALVE	XJ6 80-87	1	Harness mods. req'd.
C37990	\$9.99	GROMMET, diverter valve	XJ6 80-87	1	Factory unit
C37990-AM	\$1.49	GROMMET, diverter valve	XJ6 80-87	1	Aftermarket
C36930	NA	AIR RAIL	XJ6 68-87	1	When fitted
C37990	\$9.99	GROMMET, air rail	XJ6 80-87	1	Factory unit
C37990-AM	\$1.49	GROMMET, air rail	XJ6 68-87, XJ12 73-79	A/R	
EAC1301	NA	HOSE, air flow meter	XJ6 78-94	1	Straight
EAC6780	NA	HOSE, air flow meter	XJ6 76-87	1	Accordion
C37156	\$10.99	HOSE, check valve to rail	XJ6 68-87	1	
EB1488	NA	HOSE, check valve to pipe	XJ6 68-87	1	
C36747	NA	HOSE, gulp valve	XJ6 68-74	1	U-shaped
C36756	NA	HOSE, gulp valve to filter	XJ6 68-79	1	
C44359	\$7.99	HOSE, diverter valve to pipe	XJ6 74-79	1	
EAC3954-1	NA	HOSE, pipe to air cleaner	XJ6 80-87	1	Short 'L' hose
EAC3954-2	\$25.99	HOSE, diverter valve to pipe	XJ6 80-87	1	Long 'L' hose
C37156	\$10.99	HOSE, check valve to pipe	XJ12 76-79	1	
C44359	\$7.99	HOSE, diverter valve	XJ12 76-79	1	Elbow hose
EB1488	NA	HOSE, air rail to 'T'	XJ12 76-79	2	
C34965	NA	BOOT, breather 90	XJ6 68-78, XJ12 73-75	1	small
C44386	NA	BOOT, breather 90	XJ6 79-87, XJ12 76-79	1	big

LOCAL & OVERSEAS: 805-681-3400

FAX: 805-692-2525 [www.mossmotors.com](http://www.mossmotors.com)

MOSS

# XJ6-XJ12 Emission, Electrical

Part No.	Price (each)	Description	Application	Qty.	Notes
<b>ALTERNATOR/REGULATOR</b>					
A2012	NA	ALTERNATOR, rebuilt	XJ6 71-76	1	Where Lucas was OE
	NA	CORE CHARGE for A2012			
A2503	NA	ALTERNATOR, rebuilt	XJ6 76-80	1	
	NA	CORE CHARGE for A2503			
A2510	NA	ALTERNATOR, rebuilt	XJ6 81-87	1	
	NA	CORE CHARGE for A2510			
A2011	NA	ALTERNATOR, rebuilt	XJ12 73-74	1	May need 60600700 kit
	NA	CORE CHARGE for A2011			
A2504	NA	ALTERNATOR, rebuilt	XJ12 75-76	1	Lucas 65amp
	\$30.00	CORE CHARGE for A2504			
60600700	NA	ADAPTER KIT, key and bush	Various	1	
NCB144	\$44.99	VOLTAGE REGULATOR	XJ6 68-71	1	External. Fits A1121, A1112, A1113
UCB109	NA	VOLTAGE REGULATOR	XJ6 72-76	1	Lucas A2012
130-290	\$29.99	VOLTAGE REGULATOR	XJ6 76-80	1	Lucas A2503
UCB133	NA	VOLTAGE REGULATOR	XJ6 81-87	1	Lucas A2510
UCB109	NA	VOLTAGE REGULATOR	XJ12 73-74	1	Lucas A2011
130-290	\$29.99	VOLTAGE REGULATOR	XJ12 75-76	1	Lucas A2504
UCB109	NA	VOLTAGE REGULATOR	XJ12 76-79	1	Lucas A2502
<b>STARTER/SOLENOID</b>					
S3114	NA	STARTER, rebuilt	XJ6 68-87	1	
	NA	CORE CHARGE FOR S3114			
S4541	\$269.95	STARTER, rebuilt	XJ12 73-77	1	Conventional, Lucas
	\$75.00	CORE CHARGE FOR S4541			
131-450	\$42.79	SOLENOID, starter	XJ6 68-87	1	With plunger
<b>RELAYS</b>					
542-235	\$5.89	RELAY, air conditioning	XJ6 68-73	1	
542-170	\$19.49	RELAY, field isolating	XJ6 68-72	1	
C38616	NA	RELAY, headlight	XJ6 68-73	1	Hella
542-170	\$19.49	RELAY, heater blower	XJ6 73	1	
542-170	\$19.49	RELAY, horn	XJ6 68-73	1	
542-170	\$19.49	RELAY, ignition	XJ6 73	1	
542-235	\$5.89	RELAY, override	XJ6 73	1	
171-320	\$12.69	RELAY, starter ballast	XJ6 71	1	
131-510	\$68.89	RELAY, starter	XJ6 68-70	1	
546-100	\$48.79	RELAY, starter	XJ6 71-73	1	
542-235	\$5.89	RELAY, a/c	XJ6/12 74-76	1	
SRB303	NA	RELAY, a/c	XJ6/12 77-79	1	Hella
SRB146	\$79.99	RELAY, antenna	XJ6/12 75	1	Optional
542-330	\$27.99	RELAY, antenna	XJ6/12 76-79	1	Red
131-520	\$17.99	RELAY, brake warning light	XJ6/12 78-79	1	Black
542-330	\$27.99	RELAY, cooling fan	XJ6/12 74-79	1	Red
33355	NA	RELAY, cold start	XJ12 75-79	1	Fuel injection
SRB146	\$79.99	RELAY, door lock	XJ6/12 74-79	1	
C38955	NA	RELAY, door lock cut out	XJ6 74-79	1	In door
131-520	\$17.99	RELAY, fan override	XJ6/12 74-79	1	Black
542-330	\$27.99	RELAY, fuel cut off	XJ6/12 74-79	1	Red
33394	NA	RELAY, fuel injection	XJ6 78-79, XJ12 76-79	1	
33355	NA	RELAY, fuel pump	XJ12 75-79	1	Fuel injection
33354	NA	RELAY, main injection	XJ12 75-79	1	Fuel injection
C38616	NA	RELAY, headlight	XJ6/12 74-79	1	Hella
542-170	\$19.49	RELAY, heater blower	XJ6/12 74	1	
131-520	\$17.99	RELAY, heater blower	XJ6/12 76-79	1	Black
542-170	\$19.49	RELAY, horn	XJ6/12 74-75	1	
542-170	\$19.49	RELAY, ignition protection	XJ6/12 74	1	
131-520	\$17.99	RELAY, ignition protection	XJ6/12 77-79	1	Black
542-235	\$5.89	RELAY, override	XJ6/12 74	1	
546-100	\$48.79	RELAY, starter	XJ6/12 74-79	1	
542-170	\$19.49	RELAY, window lift	XJ6/12 74-76	1	
131-520	\$17.99	RELAY, window lift	XJ6/12 77-79	1	Black
C44001	NA	THERMAL CUT-OUT	XJ6 74-79	1	electric window
SRB303	NA	RELAY, a/c	XJ6 80-87	1	Hella
542-330	\$27.99	RELAY, antenna	XJ6 80-87	1	Red
33388	\$99.99	RELAY, antenna	XJ6 80-87	1	Green
131-520	\$17.99	RELAY, blower	XJ6 80-87	1	Black
542-330	\$27.99	RELAY, cooling fan	XJ6 80-87	1	Red
SRB302	NA	RELAY, door lock	XJ6 80-87	1	
C38955	NA	RELAY, door lock cut out	XJ6 80-87	1	In door
DAC1861	NA	RELAY, fuel injection	XJ6 80-87	1	Red Pektron
131-520	\$17.99	RELAY, fan override	XJ6 80-87	1	Black
SRB304	\$22.99	RELAY, fuel cut off	XJ6 80-87	1	Bosch
C38616	NA	RELAY, headlight	XJ6 80-87	1	Hella
131-520	\$17.99	RELAY, horn	XJ6 80-87	1	Black
131-520	\$17.99	RELAY, ignition	XJ6 80-87	1	Black
131-520	\$17.99	RELAY, ignition protection	XJ6 80-87	1	Black

Part No.	Price (each)	Description	Application	Qty.	Notes
SRB304	\$22.99	RELAY, main fuel	XJ6 80-87	2	Bosch
33247	NA	RELAY, seat belt	XJ6 80-87	1	
546-100	\$48.79	RELAY, starter	XJ6 80-87	1	
131-520	\$17.99	RELAY, sunroof	XJ6 80-87	1	Black
SRB146	\$79.99	RELAY, trunk lock	XJ6 80-87	1	
C44001	NA	THERMAL CUT-OUT	XJ6 80-87	1	electric window
131-520	\$17.99	RELAY, window lift	XJ6 80-87	1	Black
542-330	\$27.99	RELAY, wiper wash/wipe	XJ6 80-87	1	Red
<b>SWITCHES</b>					
542-370	\$4.29	SWITCH, brake light	XJ6/12 68-74	1	Push button type
30737	NA	SWITCH, brake light	XJ6/12 75-77	1	Lever type
C43304	NA	SWITCH, door jamb	XJ6/12 76-79	4	
33814	NA	SWITCH, brake light	XJ6/12 78-79	1	
30813	NA	SWITCH, fuel changeover	XJ6/12 74-79	1	
GPS112	NA	SWITCH, anti run-on valve	XJ6 to 76.5	1	w/sealing washer
141-715	\$23.99	SWITCH, anti run-on valve	XJ6 from 76.5	1	NPT
760-190	\$6.99	SWITCH, oil press. warning light	XJ6 all	1	
34532	NA	SWITCH, handbrake	XJ6/12 68-79	1	
39967	\$123.99	SWITCH, hazard warning	XJ6/12 74-79	1	
30754	NA	SWITCH, headlight	XJ6/12 74-79	1	
39998	NA	SWITCH, ignition	XJ6/12 71-79	1	-75 wiring differences
C37102	NA	LOCK, ignition	XJ6/12 68-73	1	Electrical not included
DAC1419	NA	LOCK, ignition	XJ6/12 74-79	1	
141-405	\$22.99	SWITCH, master window	XJ6/12 74-79	1	
141-100	NA	SWITCH, reverse light	XJ6/12 68-87	1	
140-470	\$9.29	SWITCH, reverse light	XJ6/12 68-87	1	Aftermarket
30886	NA	SWITCH, turnsignal	XJ6/12 74-79	1	
34454	NA	SWITCH, window lift	XJ6/12 68-73	A/R	
33727	NA	SWITCH, window lift	XJ6/12 74-79	A/R	
39234	NA	SWITCH, wiper	XJ6/12 68-73	1	
39968	NA	SWITCH, wiper	XJ6/12 74-75	1	
30944	NA	SWITCH, wiper	XJ6/12 76-79	1	
33843	NA	SWITCH, antenna	XJ6 80-81	1	
33814	NA	SWITCH, brake light	XJ6 80-87	1	
DAC2165	NA	SWITCH, cruise inhibitor	XJ6 80-87	1	
DAC4777	NA	SWITCH, door jamb	XJ6 80-87	4	
011-015	\$5.99	SWITCH, doorlock	XJ6 80-87	1	Aftermarket
33786	NA	SWITCH, fuel changeover	XJ6 80-87	1	
33817	NA	SWITCH, hazard warning	XJ6 80-87	1	
33998	NA	SWITCH, headlight	XJ6 80-87	1	
33785	\$87.69	SWITCH, heated rear window	XJ6 80-87	1	
35315	NA	SWITCH, ignition	XJ6 80-87	1	
DAC4153	NA	LOCK, ignition	XJ6 80-87	1	
145-755	\$109.99	SWITCH, inertia	XJ6 80-87	1	Fuel shut off
33788	\$39.99	SWITCH, interior	XJ6 80-87	1	
33787	NA	SWITCH, maplight	XJ6 80-87	1	
141-405	\$22.99	SWITCH, master window	XJ6 80-87	1	
DAC7461	NA	SWITCH, mirror	XJ6 80-87	1	Chrome
DAC4175	NA	SWITCH, mirror	XJ6 80-87	1	Black
DAC4155	NA	SWITCH, neutral safety	XJ6 80-87	1	
141-100	NA	SWITCH, reverse light	XJ6 80-87	1	
140-470	\$9.29	SWITCH, reverse light	XJ6 80-87	1	Aftermarket
DAC1628	NA	SWITCH, seat	XJ6 80-87	1	
011-015	\$5.99	SWITCH, sunroof	XJ6 80-87	1	
35360	\$249.99	SWITCH, turnsignal	XJ6 83-87	1	With cruise control
011-015	\$5.99	SWITCH, window lift	XJ6 80-87	4	
35314	NA	SWITCH, wiper	XJ6 81-82	1	
33781	NA	SWITCH, wiper	XJ6 80	1	
35362	\$209.99	SWITCH, wiper	XJ6 83-87	1	
SFB114	\$17.99	FLASHER, turnsignal	XJ6 68-73	1	2 prong, 35048 replacement
141-655	\$4.49	FLASHER, hazard	XJ6 68-72	1	replacement
141-747	\$13.99	FLASHER, hazard, electronic	XJ6 68-72	1	replacement
141-650	\$4.89	FLASHER, hazard	XJ6/12 73	1	replacement
GFU2127	NA	FLASHER, turn signals	XJ6/12 74-87	1	
<b>RADIO ANTENNA</b>					
DAC3542-AM	NA	ANTENNA, power	XJ6 80-87	1	-85 may require bracket
011-103	NA	BRACKET, power antenna	XJ6 80-85	1	Retrofit, -85 if needed
<b>MISC. ELECTRICAL</b>					
C34770	NA	VOLTAGE STABILIZER	XJ6, XJ12	1	
AEU4090	\$129.99	BELLOWS, cruise control	XJ6 80-87	1	On actuator
AEU4090-AM	NA	BELLOWS, cruise control	XJ6 80-87	1	On actuator
AEU3020	NA	GEAR, sunroof motor	XJ6 80-87	1	
DAC1564	\$84.99	LIGHTER ASSEMBLY	XJ6 80-87	1	
DAC1571	NA	CLOCK	XJ6 80-87	1	
071-241	\$7.29	TEMPERATURE SENDER	XJ6 68-87	1	

Part No.	Price (each)	Description	Application	Qty.	Notes Req.
<b>SPEEDO CABLES</b>					
C32759	NA	CABLE, speedo	XJ6 68-73	1	
C30391	NA	CABLE, speedo	XJ6 76-82	1	Counter bypass
DAC4570	\$179.99	TRANSDUCER, speedo	XJ6 83-87	1	Electronic speedo
C46183	NA	ANGLE DRIVE, trans end	XJ12 76-82	1	GM400 trans
461-445	\$2.49	SEAL, angle drive at gearbox	XJ6 68-82, XJ12 73-78	1	
<b>WIPER/WASHER</b>					
75721R	NA	WIPER MOTOR, rebuilt	XJ6 68-73	1	Rebuilt
79613R	NA	WIPER MOTOR, rebuilt	XJ6 74-79, XJ12 74-78	1	
	NA	CORE CHARGE for 79613R			
60927022	NA	WIPER MOTOR	XJ6 80-87	1	New, kit w/gear
DAC3435	\$7.99	WIPER BLADE	XJ6 83.5-87	2	Black
DAC3433	NA	WIPER ARM, LH	XJ6 85-87	1	Black
DAC3434	\$70.99	WIPER ARM, RH	XJ6 85-87	1	Black
BAU1124	\$11.99	COVER, wiper arm	XJ6 80-87	2	Black
361-180	\$8.89	WASHER MOTOR	XJ6 68-86, XJ12 73-78	1	Slightly different from OE
DAC2876	NA	WASHER MOTOR	XJ6 87	1	Must also use BAU2403
JLM9644	NA	CAP, reservoir	XJ6 74-85	1	-385664
JLM9645	\$10.99	CAP, reservoir	XJ6 85-87	1	385665-
<b>IGNITION</b>					
860-051	\$2.89	SPARK PLUG, Champion	XJ6 68-87	6	
152-130	\$2.89	SPARK PLUG, Champion	XJ12 73-79	12	
151-720	\$2.89	POINTS	XJ6 68-74	1	Lucas
153-900	\$5.49	POINTS	XJ6 68-74	1	
151-730	\$3.39	CONDENSER	XJ6 68-74	1	Lucas
154-001	\$8.99	CONDENSER, premium quality	XJ6 68-74	1	Aftermarket
152-220	\$7.99	KIT, points/condenser	XJ6 68-74	1	Lucas
152-221	\$9.99	KIT, points/condenser	XJ6 68-74	1	Aftermarket
872-790	\$3.39	ROTOR	XJ6 68-74	1	Lucas
872-795	\$4.49	ROTOR	XJ6 68-74	1	
151-855	\$2.39	ROTOR	XJ6 75-79	1	Lucas
151-850	NA	ROTOR	XJ6 75-79	1	
151-855	\$2.39	ROTOR	XJ6 80-87	1	Lucas
151-850	NA	ROTOR	XJ6 80-87	1	
DRB135	\$32.99	ROTOR	XJ12 73-79	1	Blue epoxy on rotor
DRB135-AM	NA	ROTOR	XJ12 73-79	1	Blue epoxy on rotor
DRB132	NA	ROTOR	XJ12 75-79	1	Red rubber bushes
DDB115	NA	CAP, screw-in terminals	XJ6 68-73	1	Lucas
DDB115-AM	\$22.99	CAP, screw-in terminals	XJ6 68-73	1	
560-145	\$10.89	CAP, push-in terminals	XJ6 72-74	1	Lucas
560-125	\$8.99	CAP, push-in terminals	XJ6 72-74	1	
DDB113	\$19.99	CAP	XJ6 75-79	1	Lucas, clip down cap
DDB113-AM	\$17.99	CAP	XJ6 75-79	1	Clip down cap
DDB152	NA	CAP	XJ6 80-87	1	Lucas, screw down cap
DDB152-AM	NA	CAP	XJ6 80-87	1	Screw down cap
DDB153	\$41.99	CAP	XJ12 73-79	1	Lucas, non-vented
DDB153-AM	NA	CAP	XJ12 73-79	1	Non-vented
HP7006	NA	WIRE SET	XJ6 68-79	1	Push down terminals
HP7007	NA	WIRE SET	XJ6 68-79	1	Screw down terminals
JLM332-AM	\$35.99	WIRE SET	XJ6 74-87	1	OEM
HP900	NA	WIRE SET	XJ6 74-87	1	Lucas
GHT174	NA	WIRE SET	XJ6 74-87	1	Unipart brand
JLM726-AM	\$79.99	WIRE SET	XJ12 73-79	1	OEM
143-220	\$23.99	COIL	XJ6 68-73	1	Lucas
143-221	\$18.59	COIL	XJ6 68-73	1	Aftermarket
143-230	\$19.99	COIL	XJ6 72-85.5	1	TO VIN -412542 Internally ballasted
DLB198	\$33.99	COIL	XJ6 85.5-87	1	Use old ballast resistor
DAC3795-AM	NA	COIL	XJ6 85.5-87	1	Includes ballast resistor
DLB198	\$33.99	COIL	XJ12 73-79	1	
47222	\$17.69	BALLAST RESISTOR	XJ6 73-76	1	Carbureted
	NA	DRIVE RESISTOR	XJ6 75-81	1	
47229	NA	BALLAST RESISTOR	XJ12 73-79	1	
DAB111	\$229.99	AMPLIFIER, 4 wire	XJ6 75-87	1	CEI system
DAB102	NA	AMPLIFIER, 2 wire	XJ6 75-87	1	CEI system
DAB113	NA	AMPLIFIER	XJ12 73-79	1	
DPB102	NA	PICKUP, module	XJ6 75-79	1	retro CEI kit w/baseplate
DPB103	\$179.99	PICKUP, module	XJ6 80-87	1	W/base plate
DPB101	\$199.95	PICKUP, module	XJ12 73-79	1	For retro kit
60600721	NA	DISTRIBUTOR KIT, w/dist, amp, p/up	XJ6 76	1	Replaces orig. assy.
60600723	NA	DISTRIBUTOR KIT, w/dist, amp, p/up	XJ6 77-87	1	Replaces orig. assy.
54417459	NA	LOW TENSION LEAD, w/sheild	XJ6 68-74	1	
153-640	\$3.99	LOW TENSION LEAD, w/o sheild	XJ6 72-79	1	Not for fuel inj.
54423392	NA	TIMING ROTOR	XJ12 73-79	1	Lucas ignition
54401709	NA	VACUUM UNIT	XJ6 79-80	1	CEI system
54402900	NA	VACUUM UNIT	XJ6 81-87	1	CEI system

Part No.	Price (each)	Description	Application	Qty.	Notes Req.
54424317	NA	VACUUM UNIT	XJ12 73-75, 77	1	Check # on old unit
54429459	NA	VACUUM UNIT	XJ12 77-79	1	Check # on old unit
PMA-50	NA	ELECTRONIC IGNITION KIT	XJ6 68-87, XJ12 73-79	1	Lumination brand, req. mtg. Kit
FK-116	\$39.99	MOUNTING KIT	XJ6 68-74 22D6	1	Lumination, for points
FK-109	\$35.69	MOUNTING KIT	XJ6 75-79 45DE6	1	Lumination, for OPUS
FK-121	NA	MOUNTING KIT	XJ6 80-87 45DM6	1	Lumination, for CEI
FK-119	NA	MOUNTING KIT	XJ12 73-79	1	Lumination brand
222-680	\$179.99	ELECTRONIC IGNITION KIT	XJ6 68-74	1	FAST brand, complete
222-325	\$159.99	ELECTRONIC IGNITION KIT	XJ6 75-87, XJ12 73-79	1	FAST brand, complete
XR700	NA	REPLACEMENT POWER UNIT	Various	1	For 222-680 or 222-325
222-665	\$45.99	REPLACEMENT PICKUP	Various	1	For 222-680 or 222-325
222-395	\$112.99	ELECTRONIC IGNITION KIT	XJ6 68-74 22D6	1	Pertronix brand for points
222-505	NA	ELECTRONIC IGNITION KIT	XJ6 75-79 45DE6	1	Pertronix brand for OPUS
222-525	\$147.99	ELECTRONIC IGNITION KIT	XJ6 80-87 45DM6	1	Pertronix brand for CEI
<b>DRIVESHAFT</b>					
GUJ108	\$19.99	U-JOINT, driveshaft	XJ6 68-87, XJ12 73-79	2	
GUJ108-AM	\$9.99	U-JOINT, driveshaft	XJ6 68-87, XJ12 73-79	2	
AAU6066	NA	SUPPORT, driveshaft center	XJ6 74-87, XJ12 74-79	1	
C36791	NA	MOUNT, driveshaft	XJ6 68-75, XJ12 73-75	1	
CBC1448	NA	BUSH, driveshaft	XJ6 68-75, XJ12 73-75	8	
<b>BRAKES</b>					
67032418R	\$124.95	CALIPER ASSY, front LH	XJ6 74-87, XJ12 74-79	1	Rebuilt
	\$50.00	CORE CHARGE for 67032418R			
67032419R	\$124.95	CALIPER ASSY, front RH	XJ6 74-87, XJ12 74-79	1	Rebuilt
	\$50.00	CORE CHARGE for 67032419R			
67032026R	\$139.99	CALIPER ASSY, rear LH	XJ6 74-87, XJ12 74-79	1	Rebuilt
	\$75.00	CORE CHARGE for 67032026R			
67032027R	\$139.99	CALIPER ASSY, rear RH	XJ6 74-87, XJ12 74-79	1	Rebuilt
	\$75.00	CORE CHARGE for 67032027R			
SP2511	\$32.99	CALIPER KIT, front	XJ6 68-73, XJ12 73-73	1	
SP2887	\$32.99	CALIPER KIT, front	XJ6 74-87, XJ12 74-79	1	
583-820	\$0.99	O-RING, square	XJ6 68-87, XJ12 73-79	2/4	Not in caliper kit
SP2505-AM	\$59.99	CALIPER KIT, rear	XJ6 68-77, XJ12 73-77	1	1/16" seal groove
SP4095	NA	CALIPER KIT, rear	XJ6 77-87, XJ12 77-79	1	1/8" seal groove
583-820	\$0.99	O-RING, square	XJ6 68-87, XJ12 73-79	2/4	Not in caliper kit
RTC1702	\$2.99	SPRING, anti rattle FRONT	XJ6 68-87, XJ12 73-79	4	Long spring behind pad
JLM1539	NA	PIN KIT, pad retaining FRONT	XJ6 68-87, XJ12 73-79	1	Pins and clips
582-890	\$0.59	CLIP, hairpin F/R	XJ6 68-87, XJ12 73-79	1	
64068676	NA	MASTER CYLINDER, brake	XJ6 68-73	1	
74066132	NA	MASTER CYLINDER, brake	XJ6 74-77, XJ12 74-77	1	Remote reservoir
74066126	NA	MASTER CYLINDER, brake	XJ6 77-87, XJ12 77-79	1	Integral reservoir
74066126-AM	\$199.99	MASTER CYLINDER, brake	XJ6 77-87, XJ12 77-79	1	Aftermarket
SP2484	NA	KIT, brake master cyl	XJ6 68-73	1	
SP7649	NA	KIT, brake master cyl	XJ6 74-77, XJ12 74-77	1	Remote reservoir
SP7672	NA	KIT, brake master cyl	XJ6 77-87, XJ12 77-79	1	Integral reservoir
CAC4578	NA	RESERVOIR, brake master	XJ6 68-77, XJ12 73-77	1	Remote reservoir
CAC3217	NA	RESERVOIR, brake master	XJ6 77-87, XJ12 77-79	1	Integral reservoir
C45055	\$159.99	CAP & SWITCH, brake reservoir	XJ6 68-77, XJ12 73-77	1	
CAC3218	\$49.99	CAP & SWITCH, brake reservoir	XJ6 77.5-87, XJ12 77.5-79	1	
CAC1542	\$7.99	BOOT, cap and switch	XJ6 77.5-87, XJ12 77.5-79	1	
64049198	NA	SERVO ASSY, brake assist	XJ6 68-73	1	
74049095	NA	SERVO ASSY, brake assist	XJ6 74-87, XJ12 74-79	1	Metric studs, -77 req. nuts
SP7392	NA	KIT, servo	XJ6 68-87, XJ12 73-79	1	Girling, no diaphragm
CAC4188-AM	NA	CHECK VALVE, servo	XJ6 68-73, XJ12 73-73	1	Replacement in-line
RTC1128	NA	ELBOW FITTING, servo	XJ6 72-87, XJ12 72-79	1	XJS w/o ABS
582-050	\$2.89	BLEEDER SCREW, front	XJ6 68-73, XJ12 73-73	2	
596-095	\$2.69	BLEEDER SCREW, front	XJ6 74-87, XJ12 74-79	2	Metric
180-100	\$1.39	BLEEDER SCREW, rear	XJ6 68-87, XJ12 73-79	2	
64325438-AM	NA	PISTON, front caliper LARGE	XJ6 68-73, XJ12 73-73	2	Repro
64325809	NA	PISTON, front caliper SMALL	XJ6 68-73, XJ12 73-73	4	
64325809-AM	NA	PISTON, front caliper SMALL	XJ6 68-73, XJ12 73-73	4	Repro
32320329	NA	PISTON, front caliper	XJ6 74-87, XJ12 74-79	8	
64325436	NA	PISTON, rear caliper	XJ6 68-77, XJ12 73-77	4	
64325436-AM	\$12.49	PISTON, rear caliper	XJ6 68-77, XJ12 73-77	4	Repro
64321392	\$9.99	PISTON, rear caliper	XJ6 77-87, XJ12 77-79	4	





# XJ6-XJ12 Brakes, Wheels, Rubber

Part No.	Price (each)	Description	Application	Qty. Req.	Notes
011-249	\$25.99	BRAKE HOSE, front	XJ6 68-73	2	
011-610	\$9.89	BRAKE HOSE, front, aftermarket	XJ6 68-73	2	
GHP101	\$21.99	BRAKE HOSE, front	XJ6 74-87, XJ12 74-79	2	
021-162	\$25.99	BRAKE HOSE, rear	XJ6 68-73	1	
021-168	\$9.79	BRAKE HOSE, rear, aftermarket	XJ6 68-73	1	
071-530	\$19.79	BRAKE HOSE, rear	XJ6 74-87, XJ12 74-79	1	
071-531	\$10.99	BRAKE HOSE, rear, aftermarket	XJ6 74-87, XJ12 74-79	1	
C41668	NA	VALVE, brake proportioning	XJ6 74-82, XJ12 74-79	1	
AAU1700	\$82.99	SWITCH, proportioning valve	XJ6 68-82, XJ12 73-79	1	
D83	NA	PAD SET, front	XJ6 68-73, XJ12 73-73	1	Organic
D83D	NA	PAD SET, front	XJ6 68-73, XJ12 73-73	1	Deluxe
D83M	NA	PAD SET, front	XJ6 68-73, XJ12 73-73	1	Metal master
D244	\$49.99	PAD SET, front	XJ6 74-87, XJ12 74-79	1	Organic
D244D	NA	PAD SET, front	XJ6 74-87, XJ12 74-79	1	Deluxe
D244M	NA	PAD SET, front	XJ6 74-87, XJ12 74-79	1	Metal master
GPM244G	NA	PAD SET, front	XJ6 74-87, XJ12 74-79	1	Girling OEM
D97	\$31.89	PAD SET, rear	XJ6 68-87, XJ12 73-79	1	Organic
D97D	NA	PAD SET, rear	XJ6 68-87, XJ12 73-79	1	Deluxe
D97M	NA	PAD SET, rear	XJ6 68-87, XJ12 73-79	1	Metal Master
JLM1540	\$24.99	PIN KIT, rear pads	XJ6 68-87, XJ12 73-79	1	Pins & clips
582-020	\$1.89	PIN, brake pad rear	XJ6 68-87, XJ12 73-79	4	
582-890	\$0.59	CLIP, hairpin	XJ6 68-87, XJ12 73-79	4	
583-805	NA	STRIPS, anti-squeal	All vehicles	A/R	10 pack
D175	\$26.99	HANDBRAKE PAD, set	XJ6 68-87, XJ12 73-77	1	
8016	\$9.99	BOLT, handbrake fork	XJ6 68-87, XJ12 73-79	2	
9750	NA	FORK, handbrake	XJ6 68-87, XJ12 73-79	2	
9751	\$3.49	LOCKTAB, handbrake fork	XJ6 68-87, XJ12 73-79	2	
C45012-4	NA	CABLE, handbrake	XJ6 77.5-87	1	Lower
GR113	NA	DISC, front	XJ6 68-73, XJ12 73-73	2	
GR114	\$42.99	DISC, front	XJ6 74-87, XJ12 74-79	2	
GR114-AM	NA	DISC, front	XJ6 68-87, XJ12 73-79	2	
GR112	NA	DISC, rear	XJ6 68-87, XJ12 73-79	2	Not Dana rear end
39218	NA	SWITCH, brake light	XJ6 72-74	1	
30737	NA	SWITCH, brake light	XJ6/12 75-77	1	Lever style
542-370	\$4.29	SWITCH, brake light	XJ6/12 75-77	1	Push button style
33814	NA	SWITCH, brake light	XJ6 79-87, XJ12 79	1	
220-455	\$6.59	BRAKE FLUID, 12 ounce	All cars	A/R	Castrol DOT 4
220-505	\$64.99	BRAKE FLUID, 1 gallon	All cars	A/R	Castrol DOT 4
220-400	\$6.99	BRAKE FLUID, 500ml	All cars	A/R	Lockheed DOT 4
C21515	NA	PEDAL PAD	XJ6 68-87, XJ12 73-79	1	

## ROAD WHEELS

031-819	NA	LUG NUT, open ended	XJ6 68-79, XJ12 73-79	20	Chrome wheel
CBC1262	\$8.99	LUG NUT, chrome dome	XJ6 74-87, XJ12 74-79	20	Alloy wheel
CAC2763	NA	LUG NUT, open ended	XJ6 80-87	20	Steel wheel
CAC4549	\$26.99	LUG NUT, black dome	XJ6 80-87	20	Alloy wheel
C30283	NA	HUB CAP	XJ6 68-79, XJ12 73-79	4	OEM, no emblem
C30283-AM	NA	HUB CAP	XJ6 68-79, XJ12 73-79	4	Aftermarket, no emblem
C27140	\$39.99	EMBLEM, hub cap	XJ6 68-79, XJ12 73-79	4	Use C22583 to mount
C22583	NA	CLIP, emblem	XJ6 68-79, XJ12 73-79	8	Use with C30283
CAC9820	\$38.99	HUB CAP	XJ6 80-87	4	OEM, no emblem
011-102	\$8.99	HUB CAP	XJ6 80-87	4	Aftermarket, no emblem
C42191	\$7.99	EMBLEM, hub cap	XJ6 80-87	4	Alloy wheel

## RUBBER

BD48848	\$109.99	WINDSHIELD seal, FRONT	XJ6 68-79, XJ12 73-79	1	
BD48848-AM	NA	WINDSHIELD seal, FRONT	XJ6 68-79, XJ12 73-79	1	
BD48847	NA	WINDSHIELD, insert FRONT	XJ6 68-79, XJ12 73-79	1	Locking strip
BD38361	\$99.99	WINDSHIELD seal, REAR	XJ6 68-79, XJ12 73-79	1	
BD38361-AM	NA	WINDSHIELD seal, REAR	XJ6 68-79, XJ12 73-79	1	
BD48847	NA	WINDSHIELD, insert REAR	XJ6 68-79, XJ12 73-79	1	Locking strip
54579126	NA	TURN SIGNAL, seal FRONT LH	XJ6 68-79, XJ12 73-79	1	Lamp to body seal
54579125	NA	TURN SIGNAL, seal FRONT RH	XJ6 68-79, XJ12 73-79	1	Lamp to body seal
BD38039	\$19.99	SIDE MARKER, seal FRONT	XJ6 68-79, XJ12 73-79	2	Lamp to body seal
164-910	\$1.29	SIDE MARKER LENS, seal	XJ6 68-79, XJ12 73-79	2	Lens to lamp seal
BD38887	NA	EMBLEM, seal	XJ6 68-79, XJ12 73-79	2	
BBC4454	NA	HOOD SEAL, front	XJ6 68-79, XJ12 73-79	1	
BBC4451	\$22.99	HOOD SEAL, rear	XJ6 68-79, XJ12 73-79	1	

Part No.	Price (each)	Description	Application	Qty. Req.	Notes
RTC2609	NA	DOOR SEAL, front LH	XJ6 68-79, XJ12 73-79	1	
RTC2610	NA	DOOR SEAL, front RH	XJ6 68-79, XJ12 73-79	1	
RTC2611	NA	DOOR SEAL, rear LH	XJ6 68-79, XJ12 73-79	1	
RTC2612	\$79.99	DOOR SEAL, rear RH	XJ6 68-79, XJ12 73-79	1	
BD46440-1	NA	WINDOW SCRAPER, outer	XJ6 68-79, XJ12 73-79	4	door to glass
BD31998	\$1.29	DOOR HANDLE, seal	XJ6 68-79, XJ12 73-79	4	Small
BD31997	\$2.39	DOOR HANDLE, seal	XJ6 68-79, XJ12 73-79	4	Large
BAC4120	\$9.99	MIRROR, seal	XJ6 68-79, XJ12 73-79	2	Manual remote, rectangular head
BD38039	\$19.99	SIDE MARKER, seal REAR	XJ6 68-79, XJ12 73-79	2	Lamp to body
164-910	\$1.29	SIDE MARKER LENS, seal	XJ6 68-79, XJ12 73-79	2	Lens to lamp
54578491	NA	STOP TAIL, seal	XJ6 68-79, XJ12 73-79	1	Lamp to body
682-540	NA	TRUNK LID SEAL	XJ6 68-79, XJ12 73-79	1	
BD31144	NA	GAS FILLER, seal	XJ6 68-79, XJ12 73-79	2	
BAC1977	\$12.99	WINDSHIELD, seal, front inner	XJ6 80-87	1	Glass to body
BAC4794-AM	\$7.99	WINDSHIELD, seal, front outer	XJ6 80-87	1	Glass to moulding
BBC5889	\$14.99	WINDSHIELD, seal, front outer	XJ6 80-87	1	Moulding to body
BD38039	\$19.99	SIDE MARKER, seal	XJ6 80-87	2	Lamp to body
164-910	\$1.29	SIDE MARKER LENS, seal	XJ6 80-87	2	Lens to lamp
BBC4454	NA	HOOD SEAL, front	XJ6 80-87	1	
BBC4451	\$22.99	HOOD SEAL, rear	XJ6 80-87	1	
RR58	\$59.99	DOOR SEAL, front LH/RH	XJ6 80-87	2	Aftermarket
RR57	\$79.99	DOOR SEAL, rear LH/RH	XJ6 80-87	2	Aftermarket
BAC4120	\$9.99	MIRROR, seal	XJ6 80-87	2	Stem to body
BD46440-1	NA	WINDOW SCRAPER, outer	XJ6 80-87	4	On door
BAC1563	\$76.99	WINDOW CHANNEL, seal rear	XJ6 80-87	2	
BAC1562	NA	WINDOW CHANNEL, seal front	XJ6 80-87	2	
BAC2003	NA	DOOR HANDLE, seal	XJ6 80-87	4	
BD47987	NA	SUNVISOR, clamp	XJ6 80-87	2	
BCC2421	NA	SUNROOF, seal	XJ6 80-87	1	
BAC5507	NA	WINDLACE	XJ6 80-87	A/R	
BD38039	\$19.99	SIDE MARKER, seal	XJ6 80-87	2	Lamp to body
164-910	\$1.29	SIDE MARKER LENS, seal	XJ6 80-87	2	Lens to lamp
682-540	NA	TRUNK LID SEAL	XJ6 80-87	1	
BAC2288-AM	\$12.99	WINDSHIELD, seal, rear inner	XJ6 80-87	1	Glass to body
BAC4794-AM	\$7.99	WINDSHIELD, seal, rear outer	XJ6 80-87	1	Glass to moulding
BBC5889	\$14.99	WINDSHIELD, seal, rear outer	XJ6 80-87	1	Moulding to body

## FRONT BUMPERS

BAC1170	NA	COVER, front	XJ6 80-87	1	
BAC1344	\$134.99	END, front rubber RH	XJ6 80-87	1	
BAC1345	NA	END, front rubber LH	XJ6 80-87	1	
BAC1242	NA	BLADE, front	XJ6 80-87	1	
BCC2065	NA	PLINTH, front	XJ6 80-87	1	

## REAR BUMPERS

BBC5181	NA	BLADE, rear center	XJ6 80-87	1	
BAC4380	NA	BLADE, rear RH	XJ6 80-87	1	
BAC4381	\$309.99	BLADE, rear LH	XJ6 80-87	1	
BAC1151	NA	COVER, rear	XJ6 80-87	1	
BAC2516	NA	END, rear rubber RH	XJ6 80-87	1	
BAC2517	NA	END, rear rubber LH	XJ6 80-87	1	
BAC2530	NA	FINISHER, rear RH	XJ6 80-87	1	
BAC2531	NA	FINISHER, rear LH	XJ6 80-87	1	
BAC1622	NA	BEAM, rear bumper	XJ6 80-87	1	

## EMBLEMS

231-470	\$69.99	HOOD CAT, small chrome	Various Jaguars	1	5 inches long
231-475	NA	HOOD CAT, small gold	Various Jaguars	1	5 inches long
011-706	\$68.69	HOOD CAT, large chrome	Various Jaguars	1	7 inches long
BD25644	NA	FASTENER, emblem mounting	Various Jaguars	A/R	
BD25659	\$1.49	FASTENER, emblem mounting	Various Jaguars	A/R	
BD26989	\$2.09	FASTENER, emblem mounting	Various Jaguars	A/R	
BAC1681	NA	FASTENER, emblem mounting	Various Jaguars	A/R	
BD42436	\$39.99	EMBLEM, grille	XJ6 74-79	1	
BD44454-1	\$2.29	GASKET, grille emblem	XJ6 74-79	1	
BD42435	NA	EMBLEM, grille 'V12'	XJ12 72-79	1	
BD35866	NA	EMBLEM, fender LH	XJ6 68-79, XJ12 73-79	1	Silver rectangle
BD35865	NA	EMBLEM, fender RH	XJ6 68-79, XJ12 73-79	1	Silver rectangle
BD26762	\$21.99	EMBLEM, rear 'JAGUAR'	XJ6 68-79, XJ12 73-79	1	Use BD25659 fastener



MOSS MOTORS, LTD. TOLL-FREE ORDERS 1-800-667-7872

Part No.	Price (each)	Description	Application	Qty. Req.	Notes
BD36076	NA	EMBLEM, rear 'X'	XJ6 68-79, XJ12 73-79	1	Use BD25659 fastener
BD36077	NA	EMBLEM, rear 'J'	XJ6 68-79, XJ12 73-79	1	Use BD25659 fastener
BD38856	NA	EMBLEM, rear '6'	XJ6 68-79	1	Use BD25659 fastener
BD46996	NA	EMBLEM, rear '4'	XJ6 74-79	1	Use BD25659 fastener
BD46995	NA	EMBLEM, rear '1'	XJ6 74-79	1	Use BD25659 fastener
BD38329	\$15.99	EMBLEM, rear '2'	XJ6 74-79	1	Use BD25659 fastener
BD38328	NA	EMBLEM, rear '1'	XJ12 72-79	1	Use BD25659 fastener
BD38329	\$15.99	EMBLEM, rear '2'	XJ12 72-79	1	Use BD25659 fastener
BAC4329	NA	EMBLEM, gasket	XJ6 80-87	2	For front fender cats
BD42436	\$39.99	EMBLEM, grille	XJ6 80-87	1	
BD44454-1	\$2.29	GASKET, grille emblem	XJ6 80-87	1	
BAC2803	NA	EMBLEM, fender LH	XJ6 80-87	1	Gold oval
BAC2802	NA	EMBLEM, fender RH	XJ6 80-87	1	Gold oval
BEC9657	NA	EMBLEM, fender LH	XJ6 80-87	1	
BEC9656	NA	EMBLEM, fender RH	XJ6 80-87	1	
BBC6019	NA	EMBLEM, rear 'JAGUAR'	XJ6 80-85	1	Use BAC1681 fastener
BBC6014	NA	EMBLEM, rear '4.2'	XJ6 80-85	1	Use BAC1681 fastener
BBC6016	NA	EMBLEM, rear 'XJ6'	XJ6 80-85	1	Use BAC1681 fastener

## FITTINGS

12179	\$129.99	HOOD PIN	XJ6 80-87	2	
12527	NA	LATCH, hood LH	XJ6 80-87	1	Upper
12526	NA	LATCH, hood RH	XJ6 80-87	1	Upper
BD31316	NA	SAFETY CATCH, hood	XJ6 80-87	1	
DAC2003	NA	SEAL, door handle	XJ6 80-87	4	
BD44650	NA	CLIP, door linkage	XJ6 80-87	4	
BAC1486-7	NA	KEY AND TUMBLER, door lock PAIR	XJ6 80-87	1	
BAC1487	NA	KEY AND TUMBLER, door lock LH	XJ6 80-87	1	
BAC1486	NA	KEY AND TUMBLER, door lock RH	XJ6 80-87	1	
DAC3529	NA	SOLENOID, door lock LH	XJ6 84-87	1	Kiekirt, square
DAC3530	NA	SOLENOID, door lock RH	XJ6 84-87	1	Kiekirt, square
BD44653	NA	LATCH, door OUTER LH	XJ6 80-87	2	Front and rear
BD44652	NA	LATCH, door OUTER RH	XJ6 80-87	2	Front and rear
BAC1028	NA	MOULDING, windshield UPPER	XJ6 80-87	1	Chrome
BAC2151	NA	MOULDING, windshield UPPER LH	XJ6 80-87	1	Chrome
BAC2150	NA	MOULDING, windshield UPPER RH	XJ6 80-87	1	Chrome
BAC1027	NA	MOULDING, windshield LOWER LH	XJ6 80-87	1	Chrome
BAC1026	NA	MOULDING, windshield LOWER RH	XJ6 80-87	1	Chrome
BAC5098	NA	MOULDING, clip	XJ6 80-87	2	Chrome
BAC1488	\$1.79	CLIP, key and tumbler	XJ6 80-87	2	
BAC2454	NA	PAD DASH, vinyl	XJ6 80-87	1	
25-101	NA	COVERLAY, dash repair	XJ6 80-87	1	
453-767	\$1.19	CONSOLE, striker	XJ6 80-87	1	Male
BD34715	NA	CONSOLE, catch	XJ6 80-87	1	Female
BAC1525	NA	ASHTRAY	XJ6 80-87	2	
BD47987	NA	CLAMP, sunvisor	XJ6 80-87	2	
BD39625	NA	SEAT DIAPHRAGM	XJ6 80-87	2	
BAC1694	NA	MOULDING, back glass TOP	XJ6 80-87	1	Chrome
BAC1697	NA	MOULDING, back glass UPPER LH	XJ6 80-87	1	Chrome
BAC1696	NA	MOULDING, back glass UPPER RH	XJ6 80-87	1	Chrome
BAC1693	NA	MOULDING, back glass LOWER LH	XJ6 80-87	1	Chrome
BAC1692	\$123.99	MOULDING, back glass LOWER RH	XJ6 80-87	1	Chrome
BAC5098	NA	MOULDING, back glass CLIP	XJ6 80-87	2	Chrome
76575	\$249.99	SOLENOID, trunk lock	XJ6 80-85	1	Lucas, round
DAC3530	NA	SOLENOID, trunk lock	XJ6 86-87	1	Keikirt, square

## GRILLE

BD42436	\$39.99	EMBLEM, grille	XJ6 74-79, XJ12 73-79	1	
BD44454-1	\$2.29	GASKET, grille emblem	XJ6 74-79, XJ12 73-79	1	
BD42435	NA	EMBLEM, grille 'V12'	XJ6 74-79, XJ12 73-79	1	
BAC2479	NA	GRILLE, valance LOWER	XJ6 74-79, XJ12 73-79	1	Below bumper
BD30582	NA	HORN, grille	XJ6 68-73, XJ12 73-73	2	
BAC1573	NA	GRILLE, assembly	XJ6 80-87	1	Without center bar/emblem

Note: -AM suffix on part number indicates after-market part

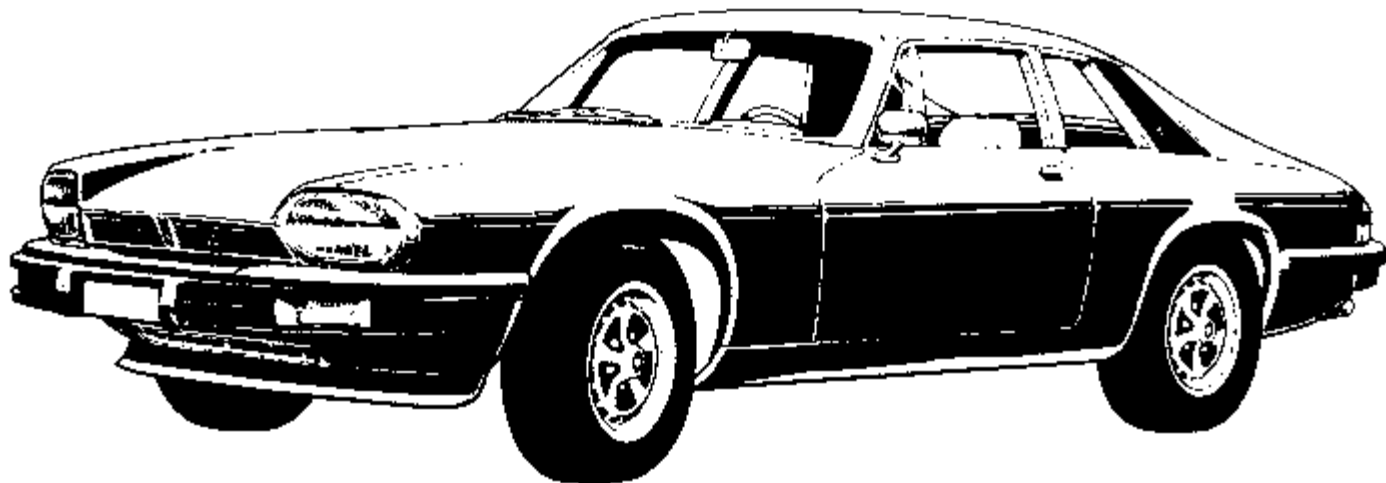
Part No.	Price (each)	Description	Application	Qty. Req.	Notes
BAC1063	NA	CENTER BAR	XJ6 80-87	1	
BD42436	\$39.99	EMBLEM, grille	XJ6 80-87	1	
BD44454-1	\$2.29	GASKET, grille emblem	XJ6 80-87	1	
BAC1020	NA	AIR INTAKE, grille	XJ6 80-87	1	
BAC2479	NA	GRILLE, valance LOWER	XJ6 80-87	1	Below bumper

## LAMPS

58912	NA	HEADLAMP, outer	XJ6 68-79, XJ12 73-79	2	Low beam
54579185	NA	TURN SIGNAL, lens LH	XJ6 68-73, XJ12 73-73	1	
164-815	\$7.89	TURN SIGNAL, lens LH	XJ6 76-79, XJ12 76-79	2	
54579184	\$69.99	TURN SIGNAL, lens RH	XJ6 68-73, XJ12 73-73	1	
164-815	\$7.89	TURN SIGNAL, lens RH	XJ6 76-79, XJ12 76-79	2	
56133	\$179.99	SIDE MARKER, lamp FRONT LH	XJ6 68-79, XJ12 73-79	1	
56132	NA	SIDE MARKER, lamp FRONT RH	XJ6 68-79, XJ12 73-79	1	
164-885	\$21.79	SIDE MARKER, lens FRONT LH	XJ6 68-79, XJ12 73-79	1	
164-890	\$21.79	SIDE MARKER, lens FRONT RH	XJ6 68-79, XJ12 73-79	1	
57208	NA	SIDE MARKER, lamp REAR LH	XJ6 68-79, XJ12 73-79	1	
57207	NA	SIDE MARKER, lamp REAR RH	XJ6 68-79, XJ12 73-79	1	
54579192	NA	SIDE MARKER, lens LH	XJ6 68-79, XJ12 73-79	1	
54579191	NA	SIDE MARKER, lens RH	XJ6 68-79, XJ12 73-79	1	
56252	NA	STOP TAIL, lamp LH	XJ6 68-73, XJ12 73-73	1	Red/red, can retro to 79
56251	NA	STOP TAIL, lamp RH	XJ6 68-73, XJ12 73-73	1	Red/red, can retro to 79
JLM9707	NA	INTERIOR, lamp	XJ6 68-79, XJ12 73-79	1	Sold as pair
JLM130	NA	LENS, interior lamp	XJ6 68-79, XJ12 73-79	1	Sold as pair
DAC1140	\$30.00	TURN SIGNAL, lamp	XJ6 80-87	2	In bumper
164-815	\$7.89	TURN SIGNAL, lens	XJ6 80-87	2	
56133	\$179.99	SIDE MARKER, lamp FRONT LH	XJ6 80-87	1	
56132	NA	SIDE MARKER, lamp FRONT RH	XJ6 80-87	1	
164-885	\$21.79	SIDE MARKER, lens FRONT LH	XJ6 80-87	1	
164-890	\$21.79	SIDE MARKER, lens FRONT RH	XJ6 80-87	1	
57208	NA	SIDE MARKER, lamp REAR LH	XJ6 80-87	1	
57207	NA	SIDE MARKER, lamp REAR RH	XJ6 80-87	1	
54579192	NA	SIDE MARKER, lens LH	XJ6 80-87	1	
54579191	NA	SIDE MARKER, lens RH	XJ6 80-87	1	
54590959	NA	STOP TAIL, lens LH	XJ6 80-87	1	
54590958	\$69.99	STOP TAIL, lens RH	XJ6 80-87	1	
JLM9707	NA	INTERIOR, lamp	XJ6 80-87	1	Sold as pair
JLM130	NA	LENS, interior lamp	XJ6 80-87	1	Sold as pair
DAC1659	\$13.99	TRUNK, lamp	XJ6 80-87	1	

## MIRRORS

BCC4090	NA	MIRROR, interior	XJ6 74-79, XJ12 74-79	1	Retrofit, must use hardware below
BCC4090	NA	MIRROR, interior	XJ6 80-87	1	
BAC4633	\$7.99	BRACKET, interior mirror	XJ6 80-87	1	Use to retro -79
BAC4988	\$6.19	SPACER, interior mirror	XJ6 80-87	1	Use to retro -79
AC610081	\$0.15	SCREW, interior mirror	XJ6 80-87	2	Use to retro -79
BBC4955	NA	MIRROR, door LH	XJ6 80-87	1	Electric
BD47350	NA	MIRROR, door RH	XJ6 80-87	1	Electric
JLM551	\$42.99	GLASS, door mirror LH	XJ6 86-87	1	Convex
JLM552	NA	GLASS, door mirror RH	XJ6 86-87	1	Flat
DAC4175	NA	SWITCH, mirror	XJ6 74-87, XJ12 74-79	1	Black



Part No.	Price (each)	Description	Application	Qty.	Notes Req.
<b>FILTERS</b>					
950-595	\$19.99	OIL FILTER, spin-on	XJS 76-94	1	various m'fns.
950-285	\$19.99	AIR FILTER	XJS 76-88.5	2	Crosland
950-785	NA	AIR FILTER	XJS 76-88.5	2	various m'fns.
950-600	\$24.99	FUEL FILTER, fuel injection	XJS 82-91	1	various m'fns.
<b>GASKETS</b>					
GEG1207	NA	GASKET SET, head	All V12 71-75	1	Unipart
CH832	NA	GASKET SET, head F.I.	All V12 76-80	1	Payen
GEG1248	NA	GASKET SET, head	All V12 82-94	1	Unipart
DE880	NA	GASKET SET, head	All V12 82-94	1	Payen
GEG285	\$129.95	GASKET SET, conversion	All V12 71-92	1	Unipart
EH831	NA	GASKET SET, conversion	All V12 71-92	1	Payen
GEG3316	NA	GASKET, head RH	All V12 82-94	1	Unipart
GEG3317	NA	GASKET, head LH	All V12 82-94	1	Unipart
GEG456	\$6.99	GASKET, valve cover LH	All V12 71-94	1	Unipart
EBC9628	\$59.99	GASKET, valve cover LH	All V12 71-94	1	OE new design
GEG455	\$6.99	GASKET, valve cover RH	All V12 71-94	1	Unipart
EBC9627	\$59.99	GASKET, valve cover RH	XJS 76-94	1	OE new design
GEG560	\$4.99	GASKET, pan lower	XJS 76-94	1	Unipart
EBC9623	\$23.69	GASKET, pan lower	XJS 76-94	1	OE new design
EBC9637	\$19.99	GASKET, pan upper	XJS 76-94	1	OE new design
GEG686	\$2.89	GASKET, intake manifold	XJS 76-94	12	steel repl.
GEG688	\$4.99	GASKET, exhaust manifold	XJS 76-94	12	Unipart
EBC9632	\$2.29	GASKET, timing cover LH	XJS 76-94	1	
EBC9633	NA	GASKET, timing cover RH	XJS 76-94	1	
EBC9625	\$1.29	GASKET, timing cover UPPER	XJS 76-94	1	
GEG754	\$2.99	GASKET, exhaust flange	XJS 76-94	4	Unipart
535-085	\$2.29	SEAL, front crankshaft	XJS 76-94	1	
011-205	NA	SEAL, front crankshaft	XJS 76-94	1	Black
031-989	\$6.99	SEAL, rear main	XJS 76-94	2	
C30431	NA	SEAL, half moon valve cover	XJS 76-94	2	
C30431-AM	\$2.39	SEAL, half moon valve cover	XJS 76-94	2	
C42511	NA	SEAL, oil cap	XJS 76-94	1	
<b>ENGINE BLOCK</b>					
C13892	NA	CRANK SPACER, split cone	XJS 76-94	1	
C757	\$1.69	KEY, crankshaft	XJS 76-94	2	
031-895	\$5.49	ROD NUT	XJS 76-94	12	
011-761	NA	DRAIN PLUG, engine	XJS 76-94	1	
011-764	\$21.39	DRAIN PLUG, magnetic	XJS 76-94	1	
324-805	\$1.99	WASHER, drain plug	XJS 76-94	1	
C32680	NA	STUD, head 2.75"	XJS 76-94	12	OE
C32332	NA	STUD, head 4.65"	XJS 76-94	4	OE
C32331	NA	STUD, head 4.75"	XJS 76-94	4	OE
C32535	\$14.99	STUD, head 7.75"	XJS 76-94	10	OE
C32534	NA	STUD, head 8.5"	XJS 76-94	10	OE
C16862-2	NA	FREEZE PLUG, small	XJS 76-94	14	6cyl block, V12 head
C46272	NA	TRANSDUCER, oil pressure	XJS 76-92	1	100lbs, OE
C46272-AM	NA	TRANSDUCER, oil pressure	XJS 76-92	1	English repro

Part No.	Price (each)	Description	Application	Qty.	Notes Req.
<b>PISTONS RINGS LINERS</b>					
18206	NA	PISTON, w/rings STD	XJS 76-80	12	AE
21434	NA	PISTON, w/rings STD	XJS 82-92	12	AE
SA1771	NA	PISTON & LINER, assy	XJS 76-80	12	AE
SA2099	NA	PISTON & LINER, assy	XJS 82-92	12	AE
SA2099-AM	NA	PISTON & LINER SET	XJS 82-92	1	Aftermarket
2C4441	NA	RINGS, engine set STD	XJS 76-92	1	Hastings
<b>BEARINGS</b>					
VP91370	NA	BEARINGS, mains STD	XJS 76-92	1	Vandervell
M7325SB	\$154.39	BEARINGS, mains STD	XJS 76-92	1	King
VP91369	NA	BEARINGS, rod STD	XJS 76-92	1	Vandervell
VP95001	NA	THRUST, washer set	XJS 76-92	1	Vandervell
W2222SA	NA	THRUST, washer set	XJS 76-92	1	AE/Glacier
C29308	NA	BUSHING, small end con rod	XJS 76-92	12	
<b>CYLINDER HEAD</b>					
V34356	\$6.49	VALVE, intake	XJS 76-80	12	AE
V90305	NA	VALVE, intake	XJS 82-94	12	AE
V34357	\$10.99	VALVE, exhaust	XJS 76-80	12	AE
V90306	NA	VALVE, exhaust	XJS 82-94	12	AE
VAG50923	\$3.59	GUIDE, intake/exhaust cast iron	XJS 76-94	24	AE
VAG50924	\$4.29	GUIDE, exhaust cast iron	XJS 76-80	12	
C27482	NA	KEEPERS, valve	XJS 76-94	24	
EAC5032	\$1.49	SEAL, valve stem, intake	XJS 76-94	12	OE
EAC5032-AM	NA	SEAL, valve stem, intake	XJS 76-94	12	Teflon, aftermarket
031-085	\$3.29	VALVE ADJ. SHIM, .085	XJS 76-94	A/R	
031-086	\$3.29	VALVE ADJ. SHIM, .086	XJS 76-94	A/R	
031-087	\$3.29	VALVE ADJ. SHIM, .087	XJS 76-94	A/R	
031-088	\$3.29	VALVE ADJ. SHIM, .088	XJS 76-94	A/R	
031-089	\$3.29	VALVE ADJ. SHIM, .089	XJS 76-94	A/R	
031-090	\$3.29	VALVE ADJ. SHIM, .090	XJS 76-94	A/R	
031-091	\$3.29	VALVE ADJ. SHIM, .091	XJS 76-94	A/R	
031-092	\$3.29	VALVE ADJ. SHIM, .092	XJS 76-94	A/R	
031-093	\$3.29	VALVE ADJ. SHIM, .093	XJS 76-94	A/R	
031-094	\$3.29	VALVE ADJ. SHIM, .094	XJS 76-94	A/R	
031-095	\$3.29	VALVE ADJ. SHIM, .095	XJS 76-94	A/R	
031-096	\$3.29	VALVE ADJ. SHIM, .096	XJS 76-94	A/R	
031-097	\$3.29	VALVE ADJ. SHIM, .097	XJS 76-94	A/R	
031-098	\$3.29	VALVE ADJ. SHIM, .098	XJS 76-94	A/R	
031-099	\$3.29	VALVE ADJ. SHIM, .099	XJS 76-94	A/R	
031-100	\$3.29	VALVE ADJ. SHIM, .100	XJS 76-94	A/R	
031-101	\$3.29	VALVE ADJ. SHIM, .101	XJS 76-94	A/R	
031-102	\$3.29	VALVE ADJ. SHIM, .102	XJS 76-94	A/R	
031-103	\$3.29	VALVE ADJ. SHIM, .103	XJS 76-94	A/R	
031-104	\$3.29	VALVE ADJ. SHIM, .104	XJS 76-94	A/R	
031-105	\$3.29	VALVE ADJ. SHIM, .105	XJS 76-94	A/R	
031-106	\$3.29	VALVE ADJ. SHIM, .106	XJS 76-94	A/R	
031-107	\$3.29	VALVE ADJ. SHIM, .107	XJS 76-94	A/R	
031-108	\$3.29	VALVE ADJ. SHIM, .108	XJS 76-94	A/R	

**MOSS**

**MOSS MOTORS, LTD. TOLL-FREE ORDERS 1-800-667-7872**

Part No.	Price (each)	Description	Application	Qty.	Notes
031-109	\$3.29	VALVE ADJ. SHIM, .109	XJS 76-94	A/R	
031-110	\$3.29	VALVE ADJ. SHIM, .110	XJS 76-94	A/R	
011-940	\$8.99	TAPPET, cam follower	XJS 76-94	24	
C30075-2	\$1.39	WASHER, cam bearing holder	XJS 76-94	24	
C37523	NA	DOME NUT, cyl head	XJS 76-94	28	
C32524	NA	DOME NUT, cyl head	XJS 76-94	8	
C29419	\$0.49	WASHER, dome nut	XJS 76-94	28	

### TIMING CHAINS

C29590-AM	\$34.99	CHAIN, timing	XJS 76-92	1	
C30485	\$384.99	TENSIONER, timing chain	XJS 76-92	1	
C29635	NA	RAIL, t/chain LH lower	XJS 76-92	1	
C29636	NA	RAIL, t/chain LH upper	XJS 76-92	1	
C31068	NA	RAIL, t/chain RH upper	XJS 76-92	1	
C33917	NA	LOCKTAB, cam gear	XJS 76-92	2	
C37925	\$13.59	PLUG, timing cover	XJS 76-92	1	

### OIL SYSTEM

C43923	NA	OIL COOLER, engine	XJS 76-92.5	1	
C38074	NA	HOSE, oil cooler feed	XJS 76-92.5	1	Feed line
C38075	NA	HOSE, oil cooler	XJS 76-92.5	1	Return line
EAC6337	\$2.69	GASKET, filter head	XJS 76-94	1	

### MOUNTS

JLM1010	\$24.99	MOUNT, engine	XJS 76-89	2	MHC7522AA
C30314	\$14.99	MOUNT, front crossmember	XJS 76-95	2	Round
C45666	\$29.99	MOUNT, front crossmember	XJS 76-95	2	V-mount
CBC2517	NA	MOUNT, transmission seat	XJS 76-94	2	OE
CBC2517-AM	\$3.99	MOUNT, transmission seat	XJS 76-94	2	Aftermarket
CAC3227-AM	\$3.99	SPOOL, transmission mount	XJS 76-94	1	

### AUTOMATIC TRANSMISSION

AUU6639-AM	NA	KIT, filter and gasket	XJS 76-95	1	GM400
JLM375	NA	SEAL, rear transmission	XJS 76-95	1	GM400
461-445	\$2.49	SEAL, speedo pinion	XJS 76-80	1	At speedo gear
031-784	\$19.99	LOCKTAB, flexplate	XJS 76-93	1	XJ6 retrofit for -80
CBC5224	\$193.99	CABLE, shift	XJS 76-93	1	
CBC5224-AM	\$39.99	CABLE, shift	XJS 76-93	1	
CAC4768	NA	PRNDL, shift plate	XJS 82.5-87	1	W/cruise control
CAC2864	\$15.99	BRUSHES, prndl	XJS 76-93	1	
141-100	NA	SWITCH, reverse light	XJS 76-90	1	Detent ball
140-470	\$9.29	SWITCH, reverse light	XJS 76-90	1	Intermotor
C33509	NA	MICROSWITCH, kickdown	XJS 76-93	1	Neutral safety switch -79
DAC4570	\$179.99	TRANSDUCER, speedo	XJS 82.5-84.5	1	Electronic speedo
DAC4569	\$129.99	TRANSDUCER, speedo	XJS 84.5-88.5	1	Electronic speedo
CBC2517	NA	SEAT, transmission spring	XJS 76-94	2	OE
CBC2517-AM	\$3.99	SEAT, transmission spring	XJS 76-94	2	
CAC3227-AM	\$3.99	SPOOL, transmission mount	XJS 76-94	1	Aftermarket

### DIFFERENTIAL

011-222	NA	BEARING, carrier	XJS 76-92	2	Not Dana
12252	NA	BEARING, pinion inner	XJS 76-92	1	Not Dana
125-150	\$29.59	BEARING, pinion front	XJS 76-92	1	Not Dana
CAC4999	\$13.99	BEARING, stub axle	XJS 76-92	4	Not Dana
12456	\$15.99	CRUSH SLEEVE, pinion bearing	XJS 76-92	1	Not Dana
031-954	\$2.89	GASKET, cover	XJS 76-92	1	Not Dana
JLM527	NA	OIL SEAL, pinion	XJS 76-92	1	Not Dana
RTC1340	\$0.99	O-RING, stub axle	XJS 76-92	2	Not Dana
JLM1264	NA	OIL SEAL, stub axle	XJS 76-92	2	Not Dana
JLM1264-AM	\$8.99	OIL SEAL, stub axle	XJS 76-92	2	Aftermarket
RTC1348	NA	CRUSH SLEEVE, stub axle	XJS 76-92	2	Not Dana
JLM337	NA	OIL SEAL, pinion	XJS 76-92	1	Dana only
JLM292	NA	O-RING, stub axle	XJS 76-92	4	Dana only
CAC3067	NA	MOUNT, V-block	XJS 76-92	4	Not convertible 87-94

### EXHAUST

6203981	NA	PIPE, rear RH	XJS 76-77	1	Over axle
6203982	NA	PIPE, rear LH	XJS 76-77	1	Over axle
5103983	NA	MUFFLER, rear RH/LH	XJS 76-77	1	
6103984	\$58.39	TIP, tailpipe RH	XJS 76-77	1	
6103985	NA	TIP, tailpipe LH	XJS 76-77	1	
GEG754	\$2.99	GASKET, downpipe	XJS 76-77	4	
GEX7441	\$4.99	OLIVE, metal	XJS 76-77	1	At front catalyst
GEX7459	\$3.79	MOUNT, rubber	XJS 76-77	2	At cross over pipe

Note: -AM suffix on part number indicates after-market part

Part No.	Price (each)	Description	Application	Qty.	Notes
GEX7324	NA	MOUNT, bakelite bushing	XJS 76-77	2	At cross over pipe
GEX7460	NA	MOUNT, muffler rear	XJS 76-77	2	
MM1432	NA	CATALYST, front RH	XJS 77-80	1	At downpipe
MM1433	NA	CATALYST, front LH	XJS 77-80	1	At downpipe
CAC1410	NA	PIPE, intermediate RH/LH	XJS 77-80	2	Cars w/catalyst
5103955	NA	MUFFLER, front RH	XJS 77-80	1	
5103956	NA	MUFFLER, front LH	XJS 77-80	1	
6203981	NA	PIPE, rear RH	XJS 77-80	1	Over axle
6203982	NA	PIPE, rear LH	XJS 77-80	1	Over axle
5103983	NA	MUFFLER, rear RH/LH	XJS 77-80	2	Both the same
6103984	\$58.39	TIP, tailpipe RH	XJS 77-80	1	
GEG754	\$2.99	GASKET, downpipe	XJS 77-80	4	
GEX7441	\$4.99	OLIVE, metal	XJS 77-80	2	At front catalyst
444-130	\$2.89	OLIVE, metal	XJS 77-80	2	At rear catalyst
GEX7459	\$3.79	MOUNT, rubber	XJS 77-80	2	At cross over pipe
GEX7324	NA	MOUNT, bakelite bushing	XJS 77-80	2	At cross over pipe
GEX7460	NA	MOUNT, muffler rear	XJS 77-80	2	
CBC8212	NA	CATALYST, rear RH	XJS 82-87	1	
CAC4319	NA	PIPE, intermediate RH/LH	XJS 82-87	2	Both the same
5103955	NA	MUFFLER, front RH	XJS 82-87	1	
5103956	NA	MUFFLER, front LH	XJS 82-87	1	
6203981	NA	PIPE, rear RH	XJS 82-87	1	Over axle
6203982	NA	PIPE, rear LH	XJS 82-87	1	Over axle
5103983	NA	MUFFLER, rear RH/LH	XJS 82-87	2	Both the same
6103984	\$58.39	TIP, tailpipe RH	XJS 82-87	1	
GEG754	\$2.99	GASKET, downpipe	XJS 82-87	4	
444-130	\$2.89	OLIVE, metal	XJ6, XJ12, XJS	2	At rear catalyst
GEX7459	\$3.79	MOUNT, rubber	XJS 82-83	2	At cross over pipe
CAC2751	NA	MOUNT, rubber	XJS 83-87	2	At cross over pipe
GEX7324	NA	MOUNT, bakelite bushing	XJS 82-83	2	At cross over pipe
CAC2750	NA	MOUNT, bakelite bushing	XJS 83-87	2	At over axle pipe
GEX7460	NA	MOUNT, muffler rear	XJS 82-87	2	

### FUEL SYSTEM

73145	NA	FILTER, fuel	XJS 76-80	1	
950-600	\$24.99	FILTER, fuel	XJS 82-91	1	various m'fns.
377-325	\$189.99	FUEL PUMP, in trunk F.I.	XJS 80-91	1	
377-325	\$189.99	FUEL PUMP, F.I.	XJS 76-79	1	Aftermarket
BAC3375	NA	PAD, tank insulation	XJS 76-92	1	Retro to 76
360-645	\$8.49	FLOAT, sending unit	XJS 76-92	1	
293-410	\$2.99	SEAL, sending unit & immersed pumps	XJS 76-92	1	
360-665	\$0.99	CLAMP, sending unit & immersed pumps	XJS 76-92	1	
CAC2961	NA	GAS CAP	XJS 78-92	1	Coupe only
CAC3072-1	NA	CABLE, accelerator	XJS 76-80	1	
CBC1910-1	\$159.99	CABLE, accelerator	XJS 82-89	1	
C33509	NA	SWITCH, kickdown	All Jags when used	1	
C34388	\$13.99	BUSH, firewall mount	All Jags when used	1	

### FUEL INJECTION

73178	NA	INJECTOR, fuel	XJS 80-84	12	
73303	NA	INJECTOR, fuel	XJS 85-91	10	Short hose
73304	NA	INJECTOR, fuel	XJS 85-91	2	Long hose
54739778	\$1.99	SEAL, injector (small)	XJS XJ12 75-94	12	
54739776	\$1.99	SEAL, injector (large)	XJS XJ12 75-94	12	
73160	NA	INJECTOR, cold start	XJS XJ12 75-79	2	
FDB304	NA	INJECTOR, cold start	XJS 82-87	2	
73146	NA	PRESSURE regulator	XJS XJ12 77-79	1	
73177	NA	PRESSURE regulator	XJS 80-83	1	
73232	\$99.00	PRESSURE regulator, LH	XJS 84-91	1	Outlet
73369	NA	PRESSURE regulator, RH	XJS 84-91	1	Inlet
73142	NA	SENSOR, water temperature	XJS XJ12 75-79	1	
SNB802	\$14.99	SENSOR, water temperature	XJS 80-90	1	
SNB802-AM	\$12.99	SENSOR, water temperature	XJS 80-90	1	Aftermarket
SNB801	NA	SENSOR, air temperature	XJS 82-91	1	
072-375	\$59.99	OXYGEN sensor, lambda	XJS 80-86	2	1 wire
54739496	NA	VALVE, fuel pump non-return	XJS 76-94	1	
33704	NA	SWITCH, thermo time	XJS 76-87	1	
33393	NA	RELAY, main	XJS 80-94	1	
SRB304	\$22.99	RELAY, pump	XJS 80-94	1	
SRB304	\$22.99	RELAY, cold start	XJS 80-94	1	

# XJS Fuel Injection, Cooling, A/C, Steering

Part No.	Price (each)	Description	Application	Qty.	Notes
<b>WATER PUMPS</b>					
WP4160	NA	WATER PUMP, rebuilt	XJS 76-95	1	Double pulley
	NA	CORE CHARGE for WP4160			
GWP426	NA	WATER PUMP, new	XJS 76-95	1	Single pulley
WP4210	NA	WATER PUMP, rebuilt	XJS 76-95	1	Single pulley
	NA	CORE CHARGE for WP4210			
C29626	\$9.19	GASKET, water pump	XJS 76-95	1	Pump body to block
C36542	\$2.49	GASKET, water pump	XJS 76-95	1	Pump body to base
EAC9805	\$3.79	GASKET, water pump	XJS 76-95	1	Triangular
<b>V BELTS &amp; THERMOSTATS</b>					
GFB21512	NA	BELT, fan	XJS 76-79	1	
GCB10850	\$6.99	BELT, alternator	XJS 76-79	1	
GFB21512	NA	BELT, air conditioning	XJS 76-79	1	
780-264	\$14.79	BELT, power steering	XJS 76-79	1	
GCB20813	NA	BELT, fan	XJS 82-93	1	
GCB10850	\$6.99	BELT, alternator	XJS 82-89	1	
GFB21512	NA	BELT, air conditioning	XJS 82-93	1	
780-264	\$14.79	BELT, power steering	XJS 82-93	1	
071-232	\$7.49	THERMOSTAT, 165F (74C)	XJS 76-94	1	Summer
071-226	\$7.99	THERMOSTAT, 180F (82C)	XJS 76-94	1	
GTS271	\$9.99	THERMOSTAT, 190F (88C)	XJS 76-92	1	
GTG129	NA	GASKET, thermostat LH	XJS 76-94	1	
GTG130	NA	GASKET, thermostat RH	XJS 76-94	1	
<b>HOSES</b>					
C37990	\$9.99	GROMMET, between water rails	XJS 76-95	2	
C37990-AM	\$1.49	GROMMET, between water rails	XJS 76-95	2	
GRH588	NA	HOSE, radiator, upper, RH	XJS 76-88.5	1	Right hand
GRH588-AM	\$6.99	HOSE, radiator, upper, RH	XJS 76-88.5	1	
GRH587	\$17.99	HOSE, radiator, upper, LH	XJS 76-94	1	
GRH587-AM	\$6.99	HOSE, radiator, upper, LH	XJS 76-94	1	
GRH560	\$59.99	HOSE, radiator, lower	XJS 76-94	1	W/out coolant heater
GRH560-AM	\$11.99	HOSE, radiator, lower	XJS 76-94	1	W/out coolant heater
C41374	NA	HOSE, w/p to filler pipe	XJS 76-94	1	Top of water pump
EBC4402-1	NA	HOSE, filler pipe	XJS 76-94	2	Pipe to bypass on head
EBC4402-1-AM	\$2.99	HOSE, filler pipe	XJS 76-94	2	Pipe to bypass on head
CAC4572-1	NA	HOSE, coolant filler pipe	XJS 78-94	1	LH small hose to expansion tank
CAC5092-1	\$32.99	HOSE, coolant filler pipe	XJS 78-94	1	LH small hose to rad.
CAC5093-1	NA	HOSE, coolant filler pipe	XJS 78-94	1	RH small elbow hose
CAC4605-1	\$23.19	HOSE, header tank	XJS 78-94	1	Tank to pipe
CAC4605-1-AM	\$11.99	HOSE, header tank	XJS 78-94	1	Tank to pipe
CAC4605-2	\$6.99	HOSE, header tank	XJS 78-94	1	Engine to pipe, to tank
C43999-AM	\$12.99	HOSE, heater valve to engine	XJS 76-94	1	
CAC2917	\$34.99	HOSE, heater valve to core	XJS 76-94	1	
CAC2917-AM	\$8.99	HOSE, heater valve to core	XJS 76-94	1	
C42967	NA	HOSE, heater core to tube	XJS 76-94	1	
C44474	\$39.99	HOSE, heater	XJS 76-80	1	Rad. to heater pipe
CAC5125	NA	HOSE, heater	XJS 82-94	1	Pipe to radiator
CAC5125-AM	\$6.69	HOSE, heater	XJS 82-94	1	Pipe to radiator
EAC2928-7	\$26.99	HOSE, header tank to bottle	XJS 78-92	4	
<b>COOLING SYSTEM</b>					
459-695	\$3.79	CAP, radiator 15LB	XJS 76-80	1	On exp. tank
GRC179	NA	CAP, radiator 20LB	XJS 82-91	1	On filler pipe
CAC6915-AM	NA	RADIATOR, assembly	XJS 82-84.5 -115816	1	Aftermarket
MHE4190CA-AM	NA	RADIATOR, assembly	XJS 84.5-95 115817-	1	Aftermarket
C38333	\$5.19	BUSH, radiator mount	XJS 76-91	2	
CAC2321	NA	PAD, radiator LH/RH	XJS 82-94	2	Foam
CAC3821	NA	PAD, radiator, upper & lower	XJS 82-94	2	Foam
CAC4337	NA	HEADER TANK	XJS 76-79	1	
CAC4566	NA	HEADER TANK	XJS 82-84.5	1	
CAC8614	NA	HEADER TANK	XJS 84.5-89 -147268	1	
072-088	NA	SENSOR, coolant level	XJS 84.5-91	1	
C43221	\$43.99	GROMMET, coolant level sensor	XJS 84.5-91	1	Can use 072-089
C39831	NA	FAN BLADE	XJS 76-80	1	Metal fan
EAC9935	\$109.99	FAN BLADE	XJS 82-93	1	
C45015	\$139.99	FAN CLUTCH, press on	XJS 76-79	1	
EAC4751-AM	\$79.99	FAN CLUTCH, repro	XJS 82-93	1	American made
EAC4382	\$8.49	SPACER, fan clutch	XJS 82-93	1	
C38009	NA	MOTOR, cooling fan	XJS 76-92	1	Blade C37880, clip AAU2019
C37880	NA	FAN BLADE, electric	XJS 76-92	1	Clip AAU2019
AAU2019	\$1.19	CLIP, electric fan blade	XJS 76-92	1	
EAC1322	NA	SWITCH, cooling fan	XJS 76-79	1	To 101854
EAC2510	NA	SWITCH, cooling fan	XJS 82-94	1	
C37990	\$9.99	GROMMET, cooling fan switch	XJS 76-79	1	Various apps
C37990-AM	\$1.49	GROMMET, cooling fan switch	XJS 76-79	1	Various apps

Part No.	Price (each)	Description	Application	Qty.	Notes
<b>AIR CONDITIONING</b>					
KRC1152	\$0.59	O-RING, small 1/8"	XJS 77.5-92	A/R	Various A/C apps
KRC1154	NA	O-RING, medium 15/32"	XJS 78-93	A/R	Various A/C apps
KRC1156	\$1.99	O-RING, large 3/8"	XJS 77.5-92	A/R	Various A/C apps
KRC1158	\$0.99	O-RING, medium 11/16"	XJS 77.5-92	A/R	Various A/C apps
C41014	\$1.09	PAD, receiver drier mount	XJS 78-93	2	Fits around CAC1881
AEU1191-AM	NA	EVAPORATOR	77.5-87	1	
CAC2341	NA	HOSE, comp. to cond.	XJS 78-88	1	
CAC3696	NA	HOSE, evap. to cooler	XJS 78-88	1	
CAC3696-AM	NA	HOSE, evap. to cooler	XJS 78-88	1	
CAC3697	\$79.99	HOSE, cooler to comp.	XJS 78-88	1	
CAC3697-AM	NA	HOSE, cooler to comp.	XJS 78-88	1	
C39413	NA	KNOB, control	XJS 74-87	2	White rectangle
C41403	NA	LOCK NUT, knob	XJS 74-87	2	
RTC687	NA	SWITCH, vacuum	XJS 74-87	1	On side of control panel
C45402-AM	NA	AMPLIFIER, a/c	XJS 74-87	1	USA made, aftermarket
SRB303	NA	RELAY, a/c	XJS 74-87	1	
<b>HEATER</b>					
C41051-AM	NA	VALVE, heater	XJS 76-92	1	
AEU1195-AM	\$149.99	CORE, heater matrix	XJS 76-87	1	Aftermarket
<b>STEERING</b>					
AAU1503	\$129.99	SEAL KIT, steering rack	XJS 76-79	1	
JLM533-AM	NA	SEAL KIT, steering rack	XJS 80-92	1	Aftermarket
AEU1248	\$3.99	TOWER SEAL, short tower	XJS 76-94	1	Comes in rack seal kit
EAC3167-AM	NA	PUMP, steering w/o hub	XJS 77-94	1	Metric fittings
37H7627J	NA	CAP, power steering pump	XJS 76-94	1	
CAC1635	\$7.99	MOUNT, rack	XJS 76-92	3	
CAC1635-AM	\$6.99	MOUNT, rack	XJS 76-94	3	
CAC1635K	\$32.99	MOUNT KIT, black	XJS 76-94	1	Eliminates washers
C29406	\$3.19	WASHER, rack mount	XJS 76-94	4/6	Rubberized
387-045	NA	TOOL, rack mount	XJS 76-94	1	For mount installation
SRG828	NA	BOOT KIT, rack	XJS 76-92	1	Both boots w/clamps
011-018	\$8.99	BOOT KIT, rack	XJS 76-92	1	Both boots w/clamps
JLM409	\$86.29	TIE ROD, inner	XJS 82-92	2	Metric fittings
JLM469	\$50.00	TIE ROD, kit	XJS 82-92	2	Tie rod, end, boot
GSJ206-AM	NA	TIE ROD END, outer	XJS 76-82	2	Standard fittings
GSJ203	NA	TIE ROD END, outer	XJS 82-94	2	Metric fittings
GSJ203-AM	\$16.99	TIE ROD END, outer	XJS 82-94	2	Metric fittings
680-060	\$2.29	BOOT, tie rod end	XJS 76-94	2	Replacement
C43722	NA	HOSE, low pressure	XJS 76-94	1	Rack to cooler
C43604-1	\$49.99	HOSE, low pressure	XJS 76-94	1	Pump to cooler
C45538	NA	HOSE, high pressure	XJS 76-81	1	Standard fittings
C45538-AM	NA	HOSE, high pressure	XJS 76-81	1	Standard fittings
CAC3655	NA	HOSE, high pressure	XJS 82-94	1	Metric fittings
CAC3655-AM	NA	HOSE, high pressure	XJS 82-94	1	Metric fittings
CAC2765-3	NA	STEERING COLUMN, lower	XJS 76-92	1	With shield
CAC3470	\$46.99	COUPLING, with u-joint	XJS 76-92	1	
DAC1419	NA	STEERING LOCK, assy	XJS 76-79	1	With electrical
DAC4153	NA	STEERING LOCK, assy	XJS 80-89	1	No shear bolts
DAC4153-AM	NA	STEERING LOCK, assy	XJS 80-89	1	No shear bolts
39998	NA	SWITCH, ignition	XJS 76-79	1	Can use 39415
35315	NA	SWITCH, ignition	XJS 80-89	1	
DAC4154	\$4.69	SHEAR BOLT, steering lock	XJS 76-89	2	Breakaway head
<b>EMISSION CONTROLS</b>					
C34017	NA	CHECK VALVE	XJS 76-87	1	
EAC3827	NA	VALVE, air switching	XJS 82-94	1	
C37990-AM	\$1.49	GROMMET, air rail	XJS 76-91	A/R	
C35779	\$3.69	O-RING, air rail	XJS 76-91	24	
C37156	\$10.99	HOSE, check valve to pipe	XJS 76-87	1	
C44359	\$7.99	HOSE, diverter valve	XJS 76-79	1	Elbow hose
EBC1488	NA	HOSE, air rail to 'T'	XJS 76-91	2	
EAC3954-1	NA	HOSE, air switching valve	XJS 82-91	1	
<b>ALTERNATOR/REGULATOR</b>					
A2011	NA	ALTERNATOR, rebuilt	XJS -76.6	1	May need 60600700 kit
	NA	CORE CHARGE for A2011			
A2512	\$209.95	ALTERNATOR, rebuilt	XJS 82-87	1	Lucas 75amp
	NA	CORE CHARGE for A2512			
<b>STARTER</b>					
S4541	\$269.95	STARTER, rebuilt	XJS 76-94	1	Conventional, Lucas
	\$75.00	CORE CHARGE for S4541			

Part No.	Price (each)	Description	Application	Qty.	Notes Req.
<b>RELAYS</b>					
SRB303	NA	RELAY, a/c	XJS 76-91	1	Hella
542-330	\$27.99	RELAY, antenna	XJS 76-91	1	Red
33388	\$99.99	DELAY, antenna	XJS 82-91	1	
DAC1910	\$49.99	RELAY, parking light bulb failure	XJS 82-91	1	Rear, red dot, in trunk
C42291	NA	RELAY, brake light bulb failure	XJS 82-91	1	In trunk
SRB146	\$79.99	RELAY, door lock	XJS 80-87	1	
C38955	NA	RELAY, door lock cut out	XJS 80-91	1	In door
SRB146	\$79.99	RELAY, fan motor	XJS 77-79	1	
542-330	\$27.99	RELAY, fan motor	XJS 82-91	1	Red
33393	NA	RELAY, main	XJS 82-94	1	Fuel injection
SRB304	\$22.99	RELAY, fuel pump	XJS 82-94	1	Bosch
C38616	NA	RELAY, headlight	XJS 82-91	1	Hella
131-520	\$17.99	RELAY, horn	XJS 82-87	1	Black
131-520	\$17.99	RELAY, ignition	XJS 82-87	1	Black
546-100	\$48.79	RELAY, starter	XJS 76-91	1	Lucas
C44001	NA	THERMAL CUT-OUT	XJS 76-91	1	electric window
131-520	\$17.99	RELAY, window lift	XJS 76-87	1	Black
131-520	\$17.99	RELAY, wipe/wash	XJS 80-89	1	Black

### SWITCHES

30737	NA	SWITCH, brake light	XJS 76-79	1	Lever type
33814	NA	SWITCH, brake light	XJS 80-87	1	
35259	NA	SWITCH, cruise control	XJS 82-87	1	
C43304	NA	SWITCH, door jamb	XJS 76-81	2	
DAC4777	NA	SWITCH, door jamb	XJS 82-87	2	
30819	NA	SWITCH, hazard warning	XJS 76-80	1	
33955	NA	SWITCH, hazard warning	XJS 82-92	1	
30754	NA	SWITCH, headlight	XJS 76-80	1	
33998	NA	SWITCH, headlight	XJS 82-87	1	
39998	NA	SWITCH, ignition	XJS 76-82	1	
DAC4151	NA	LOCK, ignition	XJS 82-89 -165790	1	
35315	NA	SWITCH, ignition	XJS 82-89	1	
DBC2022	NA	SWITCH, inertia	XJS 82-94	1	Fuel shut off
141-405	\$22.99	SWITCH, master window	XJS 76-87	1	
DAC7461	NA	SWITCH, mirror	XJS 80-87	1	Chrome
DAC4175	NA	SWITCH, mirror	XJS 80-87	1	Black
78574	NA	SWITCH, panel rheostat	XJS 76-87	1	
141-100	NA	SWITCH, reverse light	XJS 76-91	1	
140-470	\$9.29	SWITCH, reverse light	XJS 76-91	1	Aftermarket
30677	NA	SWITCH, turnsignal	XJS 76-81	1	NLS use 35361
35360	\$249.99	SWITCH, turnsignal	XJS 82-87	1	
33727	NA	SWITCH, window lift	XJS 76-77	4	
011-015	\$5.99	SWITCH, window lift	XJS 78-87	4	
011-015	\$5.99	SWITCH, window lift	XJS 78-87	4	Aftermarket
30610	NA	SWITCH, wiper	XJS 76-80	1	
35314	NA	SWITCH, wiper	XJS 82-87	1	

### FLASHERS

GFU2127	NA	FLASHER, unit	XJS 76-91	1	
---------	----	---------------	-----------	---	--

### RADIO ANTENNA

DAC3542-AM	NA	ANTENNA, power	XJS 80-85.5 -123281	1	-85 may need bracket
011-103	NA	BRACKET for above			
386-965	\$140.00	ANTENNA, power	XJS 80-85.5 -123281	1	Replacement
DAC6767	NA	ANTENNA, power	XJS 85.5-92 123281-	1	Hirschman

### MISC. ELECTRICAL

AEU4090	\$129.99	BELLOWS, cruise control	XJS 80-87	1	On actuator
AEU4090-AM	NA	BELLOWS, cruise control	XJS 80-87	1	On actuator (re-use old reinforcing wire)
AEU3020	NA	GEAR, sunroof motor	XJS 80-87	1	
DAC1564	\$84.99	LIGHTER ASSEMBLY	XJS 80-87	1	
DAC1571	NA	CLOCK	XJS 80-87	1	

### SPEEDO CABLES

DAC4570	\$179.99	TRANSDUCER, speedo	XJS 82-84.5	1	Electronic speedo
DAC4569	\$129.99	TRANSDUCER, speedo	XJS 84.5-88	1	Transmission mounted
C46183	NA	ANGLE DRIVE, trans end	XJS 76-82	1	GM400 trans
461-445	\$2.49	SEAL, angle drive at gearbox	XJS76-82	1	

### WIPER/WASHER

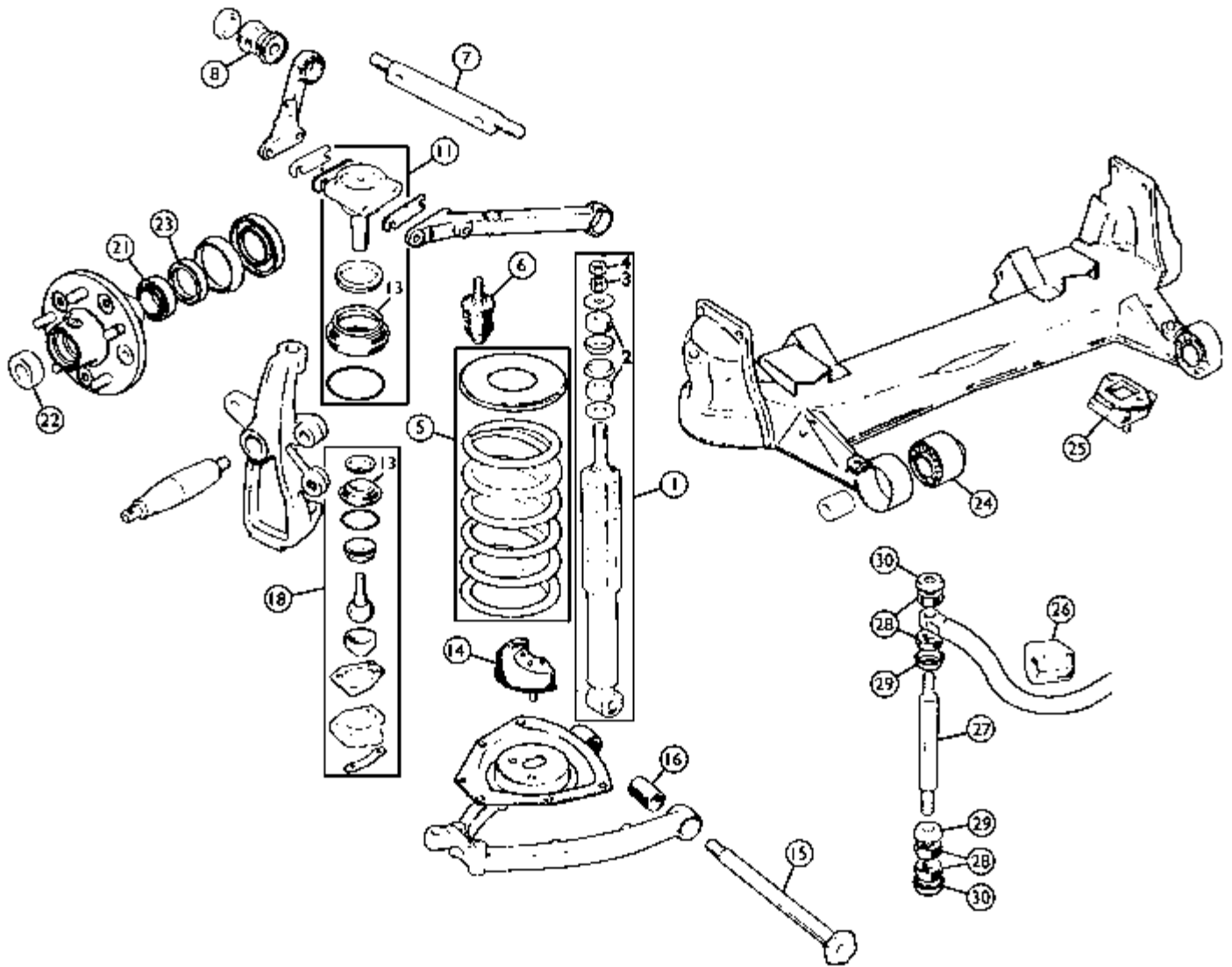
361-180	\$8.89	WASHER MOTOR	XJS 76-80	1	Slightly different from OE
BAU2043	NA	GROMMET, washer motor	XJS 83-93	1	
JLM9645	\$10.99	CAP, reservoir	XJS 76-94	1	

Note: -AM suffix on part number indicates after-market part



Part No.	Price (each)	Description	Application	Qty.	Notes Req.
<b>IGNITION</b>					
152-130	\$2.89	SPARK PLUG, Champion	XJS 76-80	12	
RS9YC	\$4.29	SPARK PLUG, Champion	XJS 82-89	12	Lucas ignition
DRB135	\$32.99	ROTOR	XJS 76-89	1	Blue epoxy on rotor
DRB135-AM	NA	ROTOR	XJS 76-89	1	Blue epoxy on rotor
DRB132	NA	ROTOR	XJS 76-80	1	Red rubber bushes
DDB153	\$41.99	CAP	XJS 76-80	1	Lucas, non-vented
DDB153-AM	NA	CAP	XJS 76-80	1	Non-vented
DDB128	NA	CAP	XJS 82-89	1	Lucas, w/vent
DDB128-AM	\$35.99	CAP	XJS 82-89	1	W/vent
JLM726-AM	\$79.99	WIRE SET	XJS 76-89	1	
DLB198	\$33.99	COIL	XJS 76-80	1	
DLB170	NA	COIL, main	XJS 82-89	1	Lucas ignition
DLB171	\$119.99	COIL, auxiliary	XJS 82-89	1	Lucas ignition
47229	NA	BALLAST RESISTOR	XJS 76-79	1	
47257	NA	BALLAST RESISTOR	XJS 80-81	1	
DAB113	NA	AMPLIFIER	XJS 71-77	1	
DAB109	NA	AMPLIFIER, w/rotor,p/up	XJS 78-80	1	Retro-fit kit
DAB106	\$287.99	AMPLIFIER	XJS 82-85	1	
DAB112	NA	AMPLIFIER	XJS 86-89	1	Lucas ignition
DPB101	\$199.95	PICKUP, module	XJS 76-80	1	For retro kit
DPB107	NA	PICKUP, module	XJS 82-89	1	W/base plate
54423392	NA	TIMING ROTOR	XJS 76-89.5	1	Lucas ignition
54424317	NA	VACUUM UNIT	XJS 77	1	Check # on old unit
54429459	NA	VACUUM UNIT	XJS 76-79	1	Check # on old unit
54405202	NA	VACUUM UNIT	XJS 82-89	1	
PMA-50	NA	ELECTRONIC IGNITION KIT	XJS 76-80	1	Lumination brand, req. mounting kit
CEA-50	NA	ELECTRONIC IGNITION KIT	XJS 82-89	1	Lumination brand, req. mounting kit
FK-119	NA	MOUNTING KIT	XJS 76-80	1	Lumination brand
FK-120	\$165.99	MOUNTING KIT	XJS 82-89	1	Lumination brand
222-325	\$159.99	ELECTRONIC IGNITION KIT	XJS 76-87	1	FAST brand, complete
XR700	NA	REPLACEMENT POWER UNIT	Various	1	For 222-680 or 222-325
222-665	\$45.99	REPLACEMENT PICKUP	Various	1	For 222-680 or 222-325
<b>DRIVESHAFT</b>					
GUJ108	\$19.99	U-JOINT, driveshaft	XJS 76-94	2	
GUJ108-AM	\$9.99	U-JOINT, driveshaft	XJS 76-94	2	
<b>BRAKES</b>					
67032418R	\$124.95	CALIPER ASSY, front LH	XJS 76-94	1	Rebuilt
	\$50.00	CORE CHARGE for 67032418R			
67032419R	\$124.95	CALIPER ASSY, front RH	XJS 76-94	1	Rebuilt
	\$50.00	CORE CHARGE for 67032419R			
67032026R	\$139.99	CALIPER ASSY, rear LH	XJS 76-94	1	Rebuilt
	\$75.00	CORE CHARGE for 67032026R			
67032027R	\$139.99	CALIPER ASSY, rear RH	XJS 76-94	1	Rebuilt
	\$75.00	CORE CHARGE for 67032027R			
SP2887	\$32.99	CALIPER KIT, front	XJS 76-94	1	
583-820	\$0.99	O-RING, square	XJS 76-94	2/4	Not inc in caliper kit
SP4095	NA	CALIPER KIT, rear	XJS 76-94	1	1/8" seal groove
583-820	\$0.99	O-RING, square	XJS 76-92	2/4	Not inc in caliper kit
RTC1702	\$2.99	SPRING, anti rattle FRONT	XJS 76-94	4	Long spring behind pad
JLM1539	NA	PIN KIT, pad retaining FRONT	XJS 76-94	1	Pins and hairpin clips
582-890	\$0.59	CLIP, hairpin F/R	XJS 76-94	1	
74066132	NA	MASTER CYLINDER, brake	XJS 76-88	1	Remote reservoir
SP7649	NA	KIT, brake master cyl	XJS 76-77	1	to 2W52787
SP7673	NA	KIT, brake master cyl	XJS 77-88	1	from 2W52788
CAC4578	NA	RESERVOIR, brake master cyl.	XJS 76-88	1	Remote reservoir
C45055	\$159.99	CAP & SWITCH, brake reservoir	XJS 76-88	1	
74049095	NA	SERVO ASSY, brake assist	XJS 74-87	1	Metric studs, -77 req. nuts
RTC1128	NA	ELBOW FITTING, servo	XJS 76-94	1	XJS w/o ABS
596-095	\$2.69	BLEEDER SCREW, front	XJS 76-94	2	Metric
180-100	\$1.39	BLEEDER SCREW, rear	XJS 76-92	2	
	NA	PISTON, front caliper	XJS 76-94	8	
64321392	\$9.99	PISTON, rear caliper	XJS 76-94	4	
GHP101	\$21.99	BRAKE HOSE, front	XJS 76-94	2	
071-530	\$19.79	BRAKE HOSE, rear	XJS 76-94	1	
071-531	\$10.99	BRAKE HOSE, rear, aftermarket	XJS 76-94	1	
C41668	NA	VALVE, brake proportioning	XJS 74-87	1	
AAU1700	\$82.99	SWITCH, brake prprtnng valve	XJS 76-92	1	
D244	\$49.99	PAD SET, front	XJS 76-94	1	Organic
D244D	NA	PAD SET, front	XJS 76-94	1	Deluxe
D244M	NA	PAD SET, front	XJS 76-94	1	Metal master
D97	\$31.89	PAD SET, rear	XJS 76-94	1	Organic
D97D	NA	PAD SET, rear	XJS 76-94	1	Deluxe
D97M	NA	PAD SET, rear	XJS 76-94	1	Metal Master
JLM1540	\$24.99	PIN KIT, rear pads	XJS 76-92	1	Pins and clips

# XJS Front Suspension



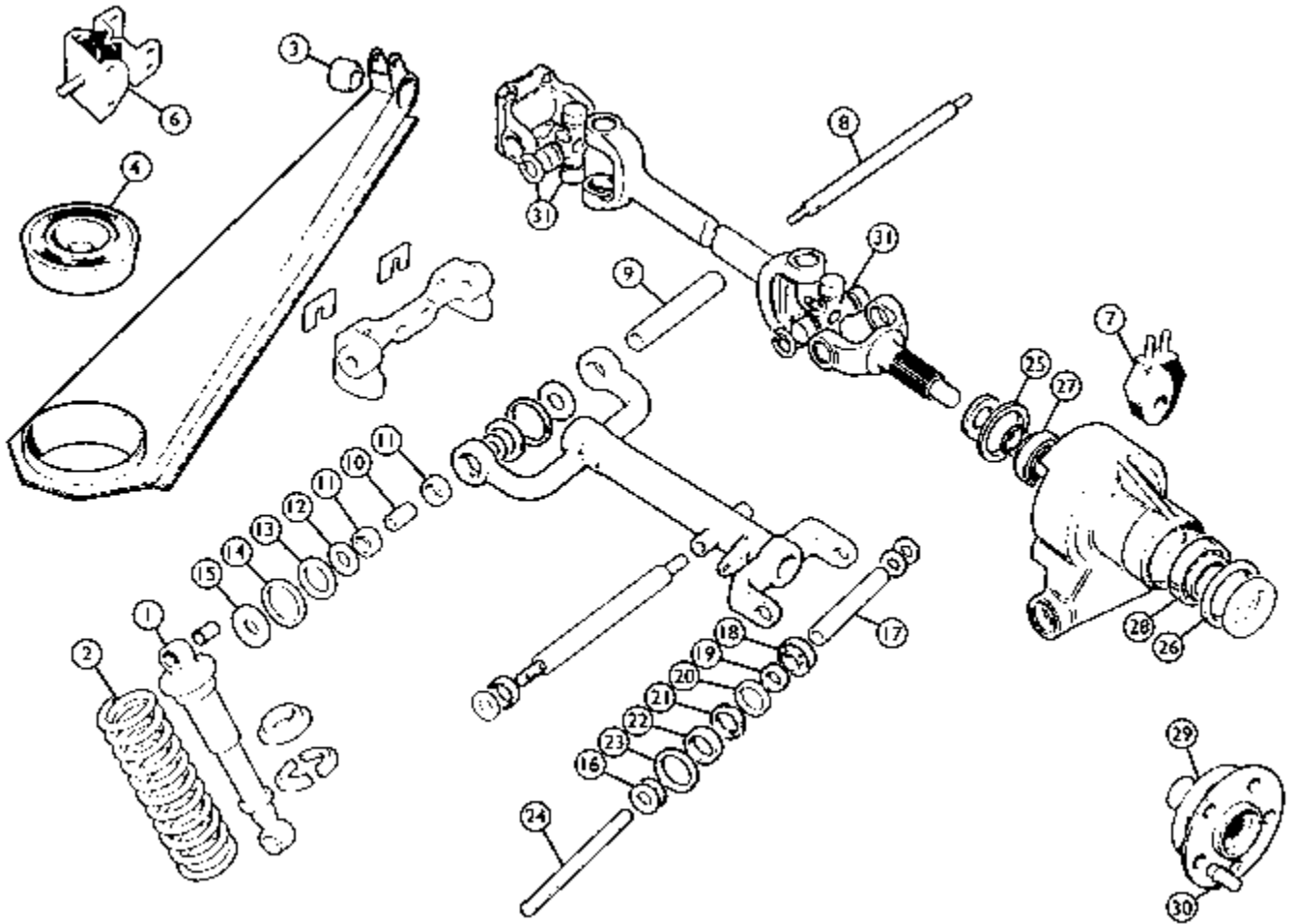
No.	Part No.	Price (each)	Description	Application	Qty. Req.
1	36-302-0	NA	SHOCK, front, Boge		2
2	C30115-AM	\$2.99	BUSH, shock		4
3	310-050	\$0.59	NUT		2
4	310-070	\$0.39	NUT, jam		2
5	RTC2751	NA	COIL SPRING, front, pair		1
6	C29979	\$34.99	REBOUND BUFFER, upper		2
7	C27859	NA	SHAFT, fulcrum, upper		2
8	CAC9295	\$27.99	BUSH, a-frame, upper		4
9	C29975	NA	WASHER, a-frame, upper		4
	310-690	\$0.39	NUT, nylock,		4
11	GSJ145	\$16.99	BALL JOINT, upper		2
	GSJ145-AM	\$149.99	BALL JOINT, upper		2
	CAC9938	\$149.99	BALL JOINT, upper, sealed		2
	310-690	\$0.39	NUT, nylock		2
13	C43216	\$4.99	GAITER, ball joint		4
14	C43790	\$34.99	REBOUND BUFFER, lower		2
15	C30722	NA	SHAFT, fulcrum, lower		2
16	C8673	\$2.69	BUSH, a-frame, lower		4
	310-710	\$2.59	NUT, slotted		2
18	GSJ129	NA	BALL JOINT, lower		2
	CAC9937	\$15.89	BALL JOINT, lower, sealed		2
19	CAC1102	NA	STUB AXLE		2
20	C27779	NA	STUD, wheel		10

No.	Part No.	Price (each)	Description	Application	Qty. Req.
	GHK1089	\$29.99	KIT, wheel bearing		2
	GHK1089-AM	\$32.99	KIT, wheel bearing		2
21	676-280	\$12.49	BEARING, wheel, inner		2
22	GHB209	NA	BEARING, wheel, outer		2
23	OS6327	\$5.99	SEAL, wheel		2
24	C30314	\$14.99	BUSH, crossmember		2
25	C45666	\$29.99	MOUNT, crossmember	aftermarket	2
26	C14983	NA	BUSH, sway bar mounting	heavy duty	2
	C32925-AM	NA	BUSH, sway bar mounting		2
27	C46186	\$26.99	LINK, sway bar		2
28	C10996	\$2.29	BUSH, sway bar link		8
29	C33682	\$5.39	WASHER, sway bar bushing		4
30	C11045	\$2.59	CUP, sway bar bushing		4



MOSS MOTORS, LTD.  
TOLL-FREE ORDERS

1-800-667-7872



No.	Part No.	Price (each)	Description	Application	Qty. Req.
1	36-303-0		NA SHOCK, rear, Boge		4
	GDA4182		NA SHOCK, rear, Unipart		4
2	C29978	\$39.99	SPRING, rear		4
3	C17146	\$6.99	MOUNT, radius arm, small		2
4	C23782	\$18.99	MOUNT, radius arm, large		2
6	CAC3067		NA MOUNT, subframe 'V'		2
7	C40158		NA REBOUND BUFFER		2
8	C17008		NA FULCRUM PIN, wishbone, inner		2
9	C17663-1		NA FULCRUM TUBE, wishbone, inner		2
10	C17168-1	\$29.99	TUBE, wishbone, inner		4
11	C17167	\$10.99	NEEDLE BEARING, wishbone, inner		8
	328-610	\$0.39	GREASE NIPPLE		4
12	C17166		NA WASHER, wishbone, inner		8
13	C17213	\$3.29	SEAL, wishbone, inner		8
14	C17936	\$15.99	SEAL RETAINER, wishbone, inner		8
15	C17165		NA THRUST WASHER, wishbone, inner		8
16	C16626-1		NA SHIM, wishbone, outer .003		A/R
	C16626-2	\$4.89	SHIM, wishbone, outer .007		A/R
17	C16623-1		NA FULCRUM TUBE, wishbone, outer		2

No.	Part No.	Price (each)	Description	Application	Qty. Req.
18	525-140	\$16.89	ROLLER BEARING, wishbone, outer		4
19	C16628	\$22.99	SEAL RETAINER, wishbone, outer		4
20	C20180		NA SEAL SPACER, wishbone, outer		4
21	C20178	\$1.79	FELT SEAL, wishbone, outer		4
22	C20179	\$24.99	SEAL SHELL, wishbone, outer		4
23	C20182		NA RETAINING WASHER, wishbone, outer		4
24	CAC2316		NA PIVOT PIN, wishbone, outer		2
	GHK1026	\$42.99	KIT, wheel bearing		2
	GHK1026-AM		NA KIT, wheel bearing		2
25	OS7605	\$10.29	SEAL, wheel, inner		2
26	OS8521	\$6.99	SEAL, wheel, outer		2
27	GHB139		NA BEARING, wheel, inner		2
28	GHB140	\$33.99	BEARING, wheel, outer		2
	328-500	\$0.89	GREASE NIPPLE		2
29	CBC1784	\$299.99	WHEEL HUB		2
30	C13365	\$17.99	STUD, wheel		10
31	GUJ111	\$39.99	U-JOINT, axle shaft		4
	GUJ111-AM	\$11.99	U-JOINT, axle shaft		4



# XJS Driveshaft, Brakes, Bumpers

Part No.	Price (each)	Description	Application	Qty.	Notes
<b>BRAKES</b>					
582-020	\$1.89	PIN, brake pad rear	XJS 76-92	4	
582-890	\$0.59	CLIP, hairpin	XJS 76-92	4	
583-805	NA	STRIPS, anti-squeal	All vehicles	A/R	10 pack
D175	\$26.99	HANDBRAKE PAD, set	XJS 76-94	1	
8016	\$9.99	BOLT, handbrake fork	XJS 76-92	2	
9750	NA	FORK, handbrake	XJS 76-92	2	
9751	\$3.49	LOCKTAB, handbrake fork	XJS 76-92	2	
C41988-3	\$129.99	CABLE, handbrake	XJS 76-94	1	
GR114	\$42.99	DISC, front	XJS 76-94	2	
GR114-AM	NA	DISC, front	XJS 76-94	2	
JLM731-AM	NA	DISC, rear	XJS 76-93.5	2	-188104
33814	NA	SWITCH, brake light	XJS 80-88	1	-147268
220-455	\$6.59	BRAKE FLUID, 12 ounce	All cars	A/R	Castrol DOT 4
220-505	\$64.99	BRAKE FLUID, gallon	All cars	A/R	Castrol DOT 4
220-400	\$6.99	BRAKE FLUID, 500ml	All cars	A/R	AP Lockheed DOT 4
C21515	NA	PEDAL PAD	XJS 76-91	1	

<b>ROAD WHEELS</b>					
CBC1262	\$8.99	LUG NUT, chrome dome	XJS 76-87	20	Alloy wheel
CAC9820	\$38.99	HUB CAP	XJS 76-87	4	OEM, no emblem
011-102	\$8.99	HUB CAP	XJS 76-87	4	Aftermarket, no emblem
C42191	\$7.99	EMBLEM, hub cap	XJS 76-87	4	Alloy wheel

<b>FRONT BUMPERS</b>					
BAC1170	NA	COVER, front	XJS 82-93.5 -188104	1	
BAC2934	NA	END, front rubber RH	XJS 82-93.5 -188104	1	
BAC2935	NA	END, front rubber LH	XJS 82-93.5 -188104	1	
BCC3435	NA	BLADE, front center	XJS 82-93.5 -188104	1	
BCC3436	NA	BLADE, front RH	XJS 82-93.5 -188104	1	
BCC3437	NA	BLADE, front LH	XJS 82-93.5 -188104	1	
BAC3504	NA	PLINTH, front	XJS 82-93.5 -188104	1	

<b>REAR BUMPERS</b>					
BAC1151	NA	COVER, rear	XJS 82-91 -179736	1	
BAC2928	NA	END, rear rubber RH	XJS 82-91 -179736	1	
BAC2929	NA	END, rear rubber LH	XJS 82-91 -179736	1	

<b>EMBLEMS</b>					
231-470	\$69.99	HOOD CAT, small chrome	Various Jaguars	1	5 inches long
231-475	NA	HOOD CAT, small gold	Various Jaguars	1	5 inches long
011-706	\$68.69	HOOD CAT, large chrome	Various Jaguars	1	7 inches long
BD25644	NA	FASTENER, emblem mounting	Various Jaguars	A/R	
BD25659	\$1.49	FASTENER, emblem mounting	Various Jaguars	A/R	
BD26989	\$2.09	FASTENER, emblem mounting	Various Jaguars	A/R	
BAC1681	NA	FASTENER, emblem mounting	Various Jaguars	A/R	
BAC3838	NA	EMBLEM, hood	XJS 76-94	1	Silver
BAC3839	\$10.59	GASKET, hood emblem	XJS 76-94	1	
BCC3665	NA	EMBLEM, rear 'XJS'	XJS 82-91	1	Use BAC1681 fastener
BEC4717	NA	EMBLEM, rear 'V12'	XJS 82-91	1	Stick on

<b>FITTINGS</b>					
453-767	\$1.19	CONSOLE, striker	XJS 76-94	1	Male
BD34715	NA	CONSOLE, catch	XJS 76-94	1	Female
BD48027	NA	HOOD STRUT	XJS 77-92.5 -184672	2	
25-102	NA	COVERLAY, dash repair	XJS 76-91	1	

<b>GRILLE</b>					
BAC3838	NA	EMBLEM, hood, silver	XJS 76-94	1	
BAC3839	\$10.59	GASKET, hood emblem	XJS 76-94	1	

<b>LAMPS</b>					
DAC2647	NA	TURN SIGNAL, lamp	XJS 82-91	2	Can use DAC1140
164-815	\$7.89	TURN SIGNAL, lens	XJS 76-91	2	In bumper
164-845	\$58.99	SIDE MARKER, lamp, front, LH	XJS 76-91	1	
164-855	\$58.99	SIDE MARKER, lamp, front, RH	XJS 76-91	1	
164-885	\$21.79	SIDE MARKER, lens, front, LH	XJS 76-91	1	
164-890	\$21.79	SIDE MARKER, lens, front, RH	XJS 76-91	1	
54593143	NA	STOP TAIL, lens LH	XJS 76-91	1	Chrome infill
54593144	NA	STOP TAIL, lens RH	XJS 76-91	1	Chrome infill
54585718	NA	REVERSE, lens LH	XJS 76-80	1	
54585719	NA	REVERSE, lens RH	XJS 76-80	1	
AAU2043	NA	LICENSE PLATE, lens	XJS 82-91	2	Bulb holder included
C45512	NA	INTERIOR LAMP, roof	XJS 76-94	1	
DAC1659	\$13.99	TRUNK LAMP	XJS 82-91	1	

Part No.	Price (each)	Description	Application	Qty.	Notes
<b>RUBBER</b>					
BD44236	\$59.99	WINDSHIELD, seal	XJS 76-91	1	Coupe
BD48847	NA	WINDSHIELD, insert	XJS 76-91	1	Locking strip
BAU1124	\$11.99	WIPER ARM, cap	XJS 76-95	1	Black
BAC3839	\$10.59	HOOD EMBLEM, seal	XJS 76-95	1	
BBC4454	NA	HOOD SEAL, front	XJS 76-91	1	
BBC4411	NA	HOOD SEAL, rear	XJS 76-91 -178229	1	
BD46718	NA	SIDE MARKER, seal LH	XJS 76-91	1	Lamp to body
BD46717	NA	SIDE MARKER, seal RH	XJS 76-91	1	Lamp to body
164-910	\$1.29	SIDE MARKER LENS, seal	XJS 76-91	2	Lens to lamp
BD46440-1	NA	WINDOW SCRAPER, seal, outer	XJS 76-87	2	On door
BD44393	\$49.99	BACK GLASS, seal	XJS 76-91	1	

<b>XJS Chassis Numbers through 1987</b>		
Model Year	Model	Starting #
<b>1976</b>	XJS	UF2W50001BW
<b>1977</b>	XJS	UH2W 52727
<b>1-'78 to 6-'78</b>	XJS	UJ2W54673BW
<b>7-'78 on</b>	XJS	JNVEV48C 100001
<b>1979</b>	XJS	JNVEV49C 100234
<b>1980</b>	XJS	JNVEV44C 104236
<b>1982</b>	XJS HE	SAJNV584CC 105338
<b>1983</b>	XJS HE	SAJNV584DC 107988
<b>1984</b>	XJS HE	SAJNV584EC 112232
<b>1985</b>	XJS HE	SAJNV584FC 117339
<b>1986</b>	XJS HE	SAJNV584GC 125020
<b>1987</b>	XJS HE	SAJNV584HC 134286

Note: -AM suffix on part number indicates after-market part



**MOSS MOTORS, LTD.**  
TOLL-FREE ORDERS **1-800-667-7872**