

T H E P A R T S Y O U N E E D



GT6

**MK1, MK2 & MK3,
1966 - 1973.**

**PARTS & ACCESSORIES
CATALOGUE**

EDITION 2.2



BRITISH MOTOR
HERITAGE APPROVED

RIMMER BROS

SOURCE CODE GT6M4

THE RIMMER BROS SERVICE

WE HAVE THE
PARTS

WE GUARANTEE
THE QUALITY

WE'RE KEEN ON
PRICE

WE DELIVER
FAST

WE KNOW YOUR
CAR



A HIGH-CALIBRE CAR
A PARTS SERVICE TO MATCH

HELPING YOU CARE FOR YOUR GT6

Although the GT6 was manufactured from 1966 to 1973, only some 41,000 cars were produced (just 13,000 of the favoured Mk3's), so if you own one it makes good sense to maintain it in the best possible condition. It is the job of Rimmer Bros to help you do this, supplying parts for classic Triumph cars is by far the most important part of our business.

With British Motor Heritage as your assurance of quality, our aim is to keep a stockholding so comprehensive that we nearly always have the parts you need, and to back it with the commitment to get them to you immediately. We try very hard to succeed in this, every time.

THIS CATALOGUE

We have listed parts most frequently called for, but it is by no means exhaustive. Our stock lines are continually increasing therefore, if the part(s) you require are not listed, please contact our sales office where our staff will be pleased to check availability and price for you.

MEMBERS OF BRITISH MOTOR HERITAGE

British Motor Heritage is an organisation committed to the preservation of the cars which have special places in our motoring history. One of the ways in which it pursues this objective is by helping to ensure that replacement parts are available and are of sufficient quality. Stringent standards are necessary to meet the requirements of Heritage approval, and the highest accolade for any company involved with the supply of parts for classic cars is to have Heritage approval.

Rimmer Bros were invited to Heritage membership in 1987 and are approved for Triumph and Rover SD1 models.



TR2-8, SPITFIRE, GT6, STAG, 2000/2500,
HERALD/VITESSE, DOLOMITE/SPRINT.



SD1



BRITISH MOTOR
HERITAGE APPROVED

THE CARS WE SPECIALISE IN

As well as supplying parts for your GT6, we also concentrate on TR2/3/4/4A, TR5/250, TR6, TR7/8, Stag, Spitfire, Dolomite, 2000/2500/2.5Pi, Herald, Vitesse, Rover SD1, Range Rover, Discovery, Freelander, 90/110 and Land Rover 'Series' vehicles. Please refer to inside rear cover for details on all our catalogues.



**RIMMER
BROS**

UK · WORLDWIDE · THE



SO WHERE DO WE GET OUR PARTS

Wherever possible we supply original stock from BL/Rover sources - lots of parts are still manufactured. Where this fails, we sometimes have parts re-manufactured. We have Heritage approval to do this, because we have satisfied them as to our quality control standards, and we use original tooling and factory drawings where these are available. Where original parts are unavailable and the cost of re-manufacture is prohibitive, we may supply a suitable alternative or in certain cases offer a used (non safety critical) part.



THE STOCK WE NEED TO GIVE THE SERVICE YOU NEED

Our degree of specialisation means two things. Firstly, our people know the cars we're dealing with inside and out, and can give you any advice you might need regarding part selection. Secondly, we are able to stock in depth just about any part you might need. Triumph House is our latest HQ, acquired in 1991. With nearly 50,000 square feet of warehousing alone, it is a cavernous building, and it needs to be! It currently contains more than 350,000 recorded part numbers with over 25,000 stock lines, and we hold as many of each as necessary to make it almost impossible to run out of stock. All other aspects of our operation receive equal emphasis. A truly efficient mail order and stock control system. The latest racking and storage facilities for fast and accurate "order picking". Careful packaging and despatch procedures.

THE PEOPLE YOU'RE DEALING WITH

This company really is owned by two brothers named Rimmer. Bill and Graham started their business from humble beginnings in the early 1980s, and it has grown to be one of the leading organisations of its kind in the world, supplying parts Worldwide to an ever growing list of customers. Both Bill and Graham still work full-time in the business, helped now by over 50 members of staff. The main qualification of membership of our staff is a recognition that our customers, and our company reputation, depend on our ability to get every aspect of our service right first time.



RIMMER BROS

COMMITMENT TO CUSTOMER SERVICE
Helpful - Accurate - Fast - Efficient

The overall objective at Rimmer Bros is to achieve customer satisfaction at all times.

Our people know your car well, and every member of our staff is dedicated in helping to preserve Classic Cars.

Our computer system gives up-to-the minute information regarding availability and the price of any item. We have an enviable reputation for despatching goods when the customer needs it, quickly and efficiently.

We try to make all our systems and documentation easy to follow and use, and make sure that our catalogues and price guides really do help our customers choose the right parts easily, first time.



TRADE MARKS & LOGOS: The 'Triumph' and 'Heritage' logos used herein are registered Trade Marks of British Motor Heritage Ltd, and are used with their license under the special 'Heritage' approval scheme.

© Copyright Rimmer Bros. All rights reserved. No part of this publication may be copied, reproduced, stored in any retrieval system, communicated or transmitted in any form or by any means, including Photocopying, Electronic, Mechanical or otherwise, without prior written permission from Rimmer Bros Ltd.

TRIUMPH PARTS SPECIALIST

TELEPHONE NUMBER

SALES

**01522
568000**

(Overseas +44 1522 568000)

FAX NUMBER

SALES

**01522
567600**

(Overseas +44 1522 567600)

ADDRESS DETAILS

Rimmer Bros, Triumph House,
Sleaford Road, Bracebridge Heath,
Lincoln, LN4 2NA, England.

THIS CATALOGUE & OUR PRICE GUIDE

There are no prices in this catalogue. Use it to select the parts you need, then check their cost by referring to the separate Price Guide which represents the other half of our ordering system. The price guide is updated and reprinted more frequently, but we ask that you confirm all prices when ordering. It may also list additional parts (new lines) that we have introduced since this catalogue was printed, and it has more detailed information about ordering & delivery methods. It also has information on warranties and a 'Trouble Shooter Guide'.

ORDERING BY PHONE

Please quote your home postcode and part numbers where possible. This gives instant access to our computerised records and stock control system. If you have any difficulty in selecting the parts you need, our expert staff can help.



UK Payment for Phone Orders

(See also "Overseas Orders & Payment.")

When you have checked on price, availability and delivery costs you can place your order by phone using Visa, MasterCard, Delta/Connect, Switch, Solo, American Express, Diners Club, or JCB. You will merely need to tell us the card number, expiry date (or issue number), cardholder's full name and registered card address.

After Hours Ordering Service

We operate a 24-hour answering/ordering service which is available to card holders out of normal hours for both UK and Overseas customers. Just leave all necessary details on our telephone voice mails, ie your vehicle type, year, model, the parts and/or the part numbers you require, plus your name, address (inc. postcode), credit card details and delivery address (if different).

Writing out these details before phoning usually helps a caller to give us clear instructions. If at all possible, please also leave a daytime telephone number.

ORDERING BY POST

Triumph House, Sleaford Road, Bracebridge Heath, Lincoln, LN4 2NA, England.

We ask you to phone first if at all possible - to check your parts selection, and to advise of delivery charges. Because prices and availability sometimes change, we can also confirm the exact remittance needed avoiding unnecessary delays. If you have not been able to telephone, please give us all possible information - car type/year, RH or LH, front/rear etc - so we can check your selection (including your name, address and postcode) in all correspondence.

Use our Order Form if you can. It asks specifically for all the details we might need. Please photostat or request additional copies of the order form if required.

UK Payment for Post Orders (See also "Overseas Orders & Payment.")

Send your remittance with the order. The 'Pricing' section in the Price Guide tells you how to calculate the amount.

We accept payment by personal cheque even if the cheque guarantee card limit is exceeded. All we require is your full name and address on the back of the cheque along with your cheque card number and for business cheques, a relevant letterhead. Cheques or P.O.s made out "Rimmer Bros Ltd" please.

Note, if you are unsure as to the exact amount to send, you can write across the top of your cheque, "Cheque Value Not To Exceed £...". You can post us your credit card details if you prefer. If you send cash, note that we cannot accept responsibility for any loss, so registered mail is essential. Bank drafts and Building Society cheques are also accepted. For Bank Transfer information see Price Guide.

ORDERING BY FAX

UK CUSTOMERS: 01522 567600 OVERSEAS CUSTOMERS: +44 1522 567600

(See also "Overseas Orders & Payment.")

Another facility for customers who wish to make enquiries, or order by credit, debit or charge card. Again, we will need your name, address (inc. postcode), credit card details and delivery address (if different). Plus fullest possible car/parts details - as for orders by post.

ORDERING BY E-MAIL AND THE INTERNET

For Internet surfers our web site holds details on all our parts catalogues and has an on line ordering facility. Use our E-Mail address for sending your order or parts enquiry. State if you require us to confirm prices, as they can sometimes alter at short notice.

E-Mail:

sales@rimmerbros.co.uk



Order through our website using our **secure** on-line ordering system!

All the latest news, special offers, products and prices just a 'click' away.

ORDER

COLLECTING IN PERSON

If you wish to 'call and collect', you will always be made welcome at our shop and sales counter during business hours. Our Visitor Information Centre has lots of interesting details of each production model and the factories where they were produced.

Customers drive here regularly from all over Europe. Lincoln is a historic Cathedral city and is an excellent place to visit. We're about 2 miles south of Lincoln on the A15 Lincoln to Sleaford road (see map on back cover). We advise you to pre-check by phone that we have the part/s you want in stock.

We accept payment by credit card, cash, bank draft, travellers cheque, building society cheque, and personal cheque (when presented with a cheque card) even if the cheque card limit is exceeded, and by business cheque with accompanying letterhead.

PRICING

For full information and details on prices, VAT, & VAT exempt export sales, please refer to the latest Price Guide. Written quotations are available on request, for parts and/or delivery charges. Please confirm all prices when ordering - prices and availability can sometimes change at short notice. Up to date prices can be found on our web site.

OVERSEAS ORDERS & PAYMENT

We supply parts to classic car owners Worldwide. We have thousands of customers in Europe and regularly send parts as far afield as Australia, North America, Africa and the Far East. Delivery costs of course, vary greatly (depending on size/weight/urgency). We can quote accurately for the cost of parts and delivery once your requirements are known.

Our Multi-language European Order Forms explain how to order parts in English, Italian, German, Spanish and French.



TEL: **+44 1522 568000**
FAX: **+44 1522 567600**
E-MAIL: **sales@rimmerbros.co.uk**

Payment By Export Customers:

There is a choice of payment methods for customers overseas;

- A) Credit card, Debit card or Charge card.
- B) Bank cheque - in ££s sterling (Drawn on a London Bank)
- C) Travellers Cheques (signed) - in ££s sterling.
- D) Giro Cheques in ££s sterling.
- E) By Bank Transfer - see Price Guide.

PLEASE NOTE THAT ALL TRANSACTIONS MUST BE IN ££s STERLING.

CHOICE OF DELIVERY METHODS

(For Further Information/Cost Details, Please Refer to Price Guide)

UNITED KINGDOM

There are numerous delivery options for the UK mainland ranging from Post (first class or parcel post) to overnight carrier services. We can advise of the best method of despatch when you telephone. The type of service that we recommend depends upon the size, weight and urgency of the parts you require.

Our price guide indicates the approximate costs, and we will confirm the final invoice total at the end of the call if required.

WORLDWIDE (NON EC COUNTRIES)

We started exporting parts Worldwide in 1982, and since then we have gained an excellent reputation for our speed & efficiency of service.

Delivery costs are based on size, weight, and method of delivery. We have discounted rates with well known carriers, so costs are kept to a minimum. Send us a list of the parts you need (using post, phone, fax or E-Mail), tell us quantities and urgency, and we will work out the best delivery method and quickly advise you of the cost.

Written quotations are available on request.

EC COUNTRIES

The European Community Single Market permits the free movement of goods between all EC countries. This allows us to provide a superb service to all our customers within the EC, with the benefits of improved delivery - via lower charges and easier documentation. Deliveries can be easily arranged using air or surface transport. Our Price Guide indicates approximate costs.

CATALOGUE CONTENTS

	PAGE
Popular Parts (Quickfinder)	6
Engine	7
Clutch	11
Engine & Gearbox Mountings	11
Cooling & Heating	12
Fuel System	13
Exhausts	15
Gearbox & Overdrive	19
Propshafts	20
Differential	21
Drive Shafts	21
Suspension	
Front	23
Front Overhaul Kits	25
Uprated Packages	26
Rear	27
Road Wheels	29
Brake System	30
Steering	33
Electrical System	34
Chassis	38
Body Parts	39
Exterior Trim & Badges	49
Bumpers	50
Interior Trim	52
Accessories	56
General Fasteners	70
Index	71

NEW & RECONDITIONED PARTS

Almost every part we list is sold brand-new, but in many instances we also offer you the facility to buy "Reconditioned" (usually giving us your old component in part-exchange).

Where there is a reconditioned version of a part, you will find the letter 'R' added at the end of the part number.

EXCHANGE SURCHARGES (REFUNDABLE)

Where parts are sold on an exchange basis, an "Exchange Surcharge" is applied - a deposit in effect, which is refunded to you when your old unit is received by us. This system allows you to make an exchange without having to send the old unit first ... it can often prevent your vehicle being off the road. The amount of the Exchange Surcharge is shown in the Price Guide in italics below the part number.

Before returning your old unit, please telephone our customer service dept on 01522 568000 in order to obtain a return authorisation number. See reverse of invoice for full details of return procedure. Units must be drained of oil, water and be serviceable; we reserve the right to retain all or part of the surcharge if the unit is irreparable, damaged or not identical to the type supplied.

SELECTED USED PARTS

We are often asked for parts that are no longer available, where the cost of re-tooling or re-manufacturing is prohibitive, and there is little or no chance of the part becoming available. We have also found that some customers prefer the option of being able to buy a (non safety critical) used alternative, where perhaps the cost of a new part is unjustified.

Over the years, we have acquired many parts which are suitable for re-sale. You will find these parts listed in the Price Guide under the same part number reference as new but with a 'U' suffix. All used parts have been cleaned and inspected and are sold as serviceable when fitted.

"Errors & Omissions Excepted. All parts offered subject to availability. All part numbers, illustrations and photographs used in this catalogue are intended for reference/identification purposes only, and are not necessarily an exact representation of the goods supplied. Whilst we make every effort to ensure the accuracy of product descriptions in this catalogue, they are based upon information supplied by the manufacturer/distributor at the time of publication. There may be occasions - due to circumstances beyond our control - when specifications are changed, or when goods become temporarily unavailable." Certain part numbers have been superseded to an alternative number when a later version or updated specification is offered.

“Born in LeMans”

Only a year after the Spitfire went into production in 1962, Triumph built a prototype 'Spitfire GT', with a smart fastback coupe body style.

Within months this one-off car was further modified, with a six-cylinder engine - and the GT6 project got under way.

As a prelude, 'works' Spitfires with GT6-style bodies raced at Le Mans in 1964 and 1965, before the original GT6 road car was introduced in October 1966. These first cars used modified versions of the Spitfire chassis and suspensions, but shared almost all of their running gear - 2-litre six-cylinder engine, all-synchromesh gearbox with optional overdrive, and a more robust rear axle - with the Vitesse 2-litre model.

Because of the new car's character, which combined the sleek styling, a silky-smooth six-cylinder engine, high gearing, and a characteristic exhaust note, with a well-equipped two-seater cabin and a lift-up rear hatch, the new GT6 was often dubbed a 'mini-E-Type'. Triumph was happy to develop this image for the new car, wanting it to be seen as an altogether more up-market model than the Spitfire.

The original cars, built until the autumn of 1968, had 95bhp 2-litre engines, and could reach about 105mph. All had the same type of polished walnut interior, and a large carpeted space behind the seats. Although both were optional extras, many cars were sold with overdrive, and with centre-lock wire spoke wheels.

Although the GT6 was an immediate sales success, there was criticism of the car's swing-axle rear suspension, and of the poor ventilation of the small cabin. Major improvements to the roadholding could only be made by a complete re-design, so for the GT6 Mk2 Triumph abandoned the swing-axle system, substituting a new layout

which kept the transverse leaf spring, but also used a reversed lower wishbone: wheel camber changes were much reduced.

The GT6 Mk2 was a much-improved car. Not only did it have much better roadholding than before, but there was a new type of cylinder head and more peak power (104bhp instead of 95bhp), a new facia style, cabin air outlets and a heated rear window glass both helping to improve the ventilation.

Styling retouches for the Mk2 included a raised front bumper and Rostyle wheel covers, while from late 1969 more improvements included reclining seats and a new-style steering wheel.

From late 1970 the GT6 Mk3 took over, this sharing many styling changes with the latest Spitfire, the Mk IV. Although this was basically the same shape as before, almost every external panel was changed and was more smoothly detailed than before. Perhaps this was aerodynamically smoother than before, for the car's top speed rose to 112mph.

Raised panel joints on front and rear wings had been eliminated, the side window profile was altered, and there was now to be a sharply cut-off rear panel. Yet another wheel style was chosen, and the front bumper was closely integrated into the new-shape front pressings.

The Mk3 was very popular in the UK, where sales rose sharply, but less so in the USA, where new exhaust emission and other safety regulations degraded the performance and hit all British sports car sales. For 1973 there was one final change to the GT6's chassis specification, where the latest Spitfire type of 'swing spring' type of swing-axle rear suspension took over from the unique 'lower wishbone' type, but relatively few of these cars were ever made.

The last GT6 of all was built in November 1973.



GT6

ENGINE NUMBERS & COMPRESSION RATIOS

GT6 Mk1 (Early)

See: 'Important Information - Early GT6 Mk1 Engine Components'

From Engine Number KC1 **To** KC/KD5000E
Comp' Ratio 9.5:1

Original Block had Non-Recessed Cylinder Bores.

GT6 Mk1 (Late)

From Engine Number KC5001 **To** KC/KD5000E
Comp' Ratio 9.5:1

Original Block had Non-Recessed Cylinder Bores.

GT6 Mk2

From Engine Number KC/KD50001E **onwards**
Comp' Ratio 9.25:1

Original Block had Non-Recessed Cylinder Bores.

GT6 Mk3 (Early)

From Engine Number KE/KF1 **To** KE/KF10000E
Comp' Ratio 9.25:1

Original Block had Non-Recessed Cylinder Bores.

GT6 Mk3 (Late)

From Engine Number KE/KF10001E **onwards**
Comp' Ratio 9.00:1

Original Block had Recessed Cylinder Bores.

IMPORTANT INFORMATION

Early GT6 Mk1 Engines/Components

ENGINE COMPONENTS

Engine components for very early Mk1 GT6's (from engine number KC1E to KC5000E), such as, Cylinder Block, Crankshaft, Main Bearings, Conrods, Conrod Bearings, Flywheel etc are extremely scarce, and NOT (generally) interchangeable with later MK1 engines, so due to the supply problems;

ALL Mk1 GT6 engine parts listed are for LATE GT6 Mk1's (from KC5001E), unless stated otherwise.

NB: where parts are listed as 'For all models', it means the parts are only suitable for Late Mk1's (from KC5001), Mk2, and Mk3's.

RECONDITIONED FULL ENGINES

Flywheel & Identification of Front Engine Plate

Our reconditioned full engines are based on the later Mk1 GT6 specification. If your old exchange engine is an early Mk1 (to engine number KC5000E), then you will also require a different flywheel. You will also need to compare the Front Engine Mounting Plate (located behind the timing cover), and it may be necessary to re-fit the original mounting plate from your old unit.

SHORT ENGINE AND CYLINDER BLOCK IDENTIFICATION

Recessed or Non-Recessed Cylinder Bores?

LATE engines have a Recessed Lip at the top of the cylinder bores adjacent to the block face, necessitating a particular type of head gasket, which can be identified by a 'Tag' which stands proud at the rear of the block.

EARLY engines have Non-Recessed bores, and do not have a tag on the head gasket.

RECONDITIONED EXCHANGE ENGINES

Please check existing engine number to ensure correct unit is ordered. Units are supplied 'off the shelf' either as a full engine or a short engine. Alternatively, we can recondition your existing engine if required. Prior to purchasing an engine, please contact us to establish what ancillaries should be removed. The old exchange unit must be serviceable. Refer to latest Price Guide for details.

RECONDITIONED FULL ENGINE SPECIFICATION

All our Reconditioned 'Full Engines' have a high rebuild specification and are suitable for unleaded fuel.

- | | |
|--|---|
| <ul style="list-style-type: none"> ● Crankshaft Re-ground ● New Main Bearings ● New Thrust Washers ● Cylinder Block Re-Bored ● New Pistons & Rings ● New Big end Bearings ● Camshaft Re-Profiled ● New Cam Followers ● New Cam Chain & Tensioner ● New Oil Seals | <ul style="list-style-type: none"> ● New Oil Pump Supplied ● New Oil Pressure Relief Valve, Spring and Switch ● Oil Filter ● New Inlet Valves ● New Exhaust Valves ● New Valve Springs ● New Valve Guides ● New Rocker Shaft ● New Rocker Arms |
|--|---|

BENCH TESTING

Apart from having a multitude of new parts & components fitted - and with a 12 month/12,000 Mile Warranty - our engine units are run on a test bed after assembly. During the test-run period (at varying engine speeds), all external joints are and seals are checked, and the water temperature and oil pressure are monitored to verify correct operation. After the Bench Test, the engines undergo a final inspection and are prepared for sale.

Note: All units are drained of oil/water before despatch.

Our Full Engines are assembled ready to accept manifolds, water pump and other ancillaries. Additional installation information and running-in details are supplied with every unit. We can also supply a 'Full Engine Installation Kit' that includes all necessary gaskets/oil filter etc, enabling you to install the Full Engine in your vehicle. Alternatively, fitting can be arranged locally in Lincoln if required, at a very reasonable cost.

RECONDITIONED SHORT ENGINE SPECIFICATION

All our Reconditioned 'Short Engines' (ie block, crank, pistons & rods) are built to the following specification;

- | | |
|---|--|
| <ul style="list-style-type: none"> ● Crankshaft Re-ground ● New Main Bearings ● New Thrust Washers | <ul style="list-style-type: none"> ● New Big end Bearings ● Cylinder Block Re-bored ● New Pistons & Rings |
|---|--|

Please Note: A new oil pump MUST be fitted (part No 217488).

Oil pump, Cam, cam followers & sprockets are not supplied with short engines.

Additional installation information & running-in details are supplied with every unit. Don't forget that we can supply all the necessary gasket sets and components etc, required to build-up a short engine.

TECHNICAL JOTTINGS & RELATED COMPONENTS

Full Engine Build-up

When building up a Full Engine to a complete assembly, check the condition of your old water pump, if unsure, replace it.

The condition of the radiator is crucial to ensure proper and efficient cooling - either replace or have tested professionally (see Warranties), as are all the hoses and thermostat, we strongly recommend these are examined carefully, or replaced as a matter of course. Engine mountings, clutch etc, should also be inspected and renewed where necessary.

Ensure correct strength anti-freeze is used in the cooling system. Carburettors should be in good working order with mixture & balance set correctly.

Please familiarise yourself with the running-in and head re-torquing instructions on the card supplied with every engine unit. If this card has become separated from the engine when you take delivery, please contact us.

TECHNICAL JOTTINGS & RELATED COMPONENTS

Short Engine Build-up

When building up a short engine to a complete assembly, check the condition of timing chain, tensioner, sprockets, water pump, camshaft, cylinder head face (for flatness), valves, guides, cam followers, camshaft etc, and replace where necessary.

We supply all these components separately if required along with gasket sets, oil seals, spigot bush, oil filter etc.

The condition of the radiator is crucial to ensure proper and efficient cooling - either replace or have tested professionally (see Warranties), as are all the hoses and thermostat, we strongly recommend these are examined carefully, or replaced as a matter of course.

Ensure correct strength anti-freeze is used in the cooling system. Carburettors should be in good working order with mixture and balance set correctly.

Full Engine

See: Important Information - Early GT6 MK1 Engines/Components.
Full engine (Unleaded) - Reconditioned (Exchange);
 All Reconditioned Exchange Engines are Bench Tested.

Mk1 (From eng No KC5001)	(1)	RV6039R
Mk2	(1)	RV6018R
Mk3	(1)	RG1020R

Engine installation kit (Full engine);
 Includes gaskets, oil filter etc.

Mk1 (Late)	(1)	RV6041
Mk2	(1)	RV6020
Mk3	(1)	RG1127

For Engine Oils & Antifreeze please refer to Accessories.

Short Engine

See: Important Information - Early GT6 MK1 Engines/Components.
Note: A NEW Oil Pump MUST Be Fitted, otherwise the Warranty/Guarantee becomes Null & Void.

Short engine - Reconditioned (Exchange);

Mk1 (Late) & Mk2 (Mk1 from KC5001)	(1)	RV6045R
Mk3 (Non-recessed bores)	(1)	RG1021RNR
Mk3 (Recessed bores)	(1)	RG1021RR

For Engine Oils & Antifreeze please refer to Accessories.

Cylinder Block Components

See: Important Information - Early GT6 MK1 Engines/Components.
See also: Crankshaft/Pulley & Flywheel.

Front engine plate;

Mk1 (Late)	(1)	213777
Mk2 & Mk3	(1)	215349

Gasket - Engine plate to block (1) **138791**

Rear engine plate (1) **211514**

Cylinder liner (6) **158942**

Stud - Cylinder head to block;

Mk1 (Late) - Long stud	(7)	119758
Mk1 (Late) - Short stud	(7)	133803
Mk2 & Mk3	(14)	156274

Nut (Cylinder head stud);

Mk1 (Late)	(14)	110748
Mk2 & Mk3	(14)	103810

Washer - Plain (14) **WB600070**
Cyl head stud - all models

Bolt - Main bearing cap (8) **BH607241**

Washer - Locking (for bolt BH607241) (8) **WL600071**

Front sealing block (1) **151134**

Filler (Sealing block to cylinder block) (2) **36234**

Screw (Sealing block to cylinder block) (2) **SW605081**

Gasket (Sealing block to cylinder block) (1) **UKC8321**

Oil pressure switch (1) **GPS117**

Oil pressure relief valve (1) **132107**

Spring - Oil pressure valve;

Standard	(1)	131535
Up-rated	(1)	131535UR

Washer - Oil pressure valve (1) **6K433**

Housing - Oil pressure valve (1) **107246**

Oil seal - Crankshaft;

Front (Timing cover)	(1)	UKC1110
Rear (Main)	(1)	143456

Bush - Oil pump/distributor drive;

Mk1 (Late), Mk2 & early Mk3's	(1)	137978
Late Mk3	(1)	149776

Stud (Distributor pedestal to block) (2) **TE605105**

Dowel (Timing cover to block) (2) **DP514**

Engine lifting eye;

Front	(1)	123716
Rear	(1)	123715

Drain plug (Cylinder block) (1) **129077**

Washer - Fibre (For Drain plug) (a/r) **WF511A**

Stud (Fuel pump to block);

Mk1 (Late) & Mk2	(2)	100433
Mk3	(2)	TE605105

Core plug set (Block & head) (1) **RG1034**

For Engine Oils & Antifreeze please refer to Accessories.



Oil Pump & Sump

See: Important Information - Early GT6 MK1 Engines/Components.

OIL PUMP & FITTINGS

Oil pump assembly	(1)	217488
Oil pump repair kit	(1)	217488RK
Oil feed kit (Rocker gear)	(1)	RR1340

A remote mounted kit for increased lubrication to the rocker gear.

Oil pump body only	(1)	217486
Oil screen/strainer	(1)	TK62006
Bolt - Oil pump to block	(3)	HB726
Washer - Locking (For bolt HB726)	(3)	GHF331
Drive shaft & gear assembly - Oil pump & distributor	(1)	126786
Bush - Oil pump/distributor drive; Mk1 (Late), Mk2 & early Mk3's	(1)	137978
Late Mk3	(1)	149776

SUMP PAN & DIPSTICK

Sump pan;

Mk1 (Late) (From eng no KC5001)	(1)	307039
Mk2 & Mk3	(1)	308571

Sump gasket set;

With oil seals	(1)	GEG214K
Without oil seals	(1)	GEG214

Sump gasket only (1) **GEG515**

Oil drain plug (1) **2262115**

Setscrew - Sump to block (23) **SH606061**

Washer - Locking (23) **GHF332**
For setscrew SH606051

Dipstick	(1)	127653
Tube - Dipstick	(1)	127652
Felt seal/washer (Dipstick)	(1)	32307
Oil pressure switch	(1)	GPS117

Oil Filter

See: Important Information - Early GT6 MK1 Engines/Components.

Canister type oil filter & bowl	(1)	129917
---------------------------------	-----	---------------

Complete assembly including filter element & bolt.

Bowl only	(1)	510107
Filter element	(1)	GFE138
Washer/seal (Bowl)	(1)	510109

Oil Pressure Gauge & Switch

You can either guess your oil pressure - or fit one of our kits!

Oil pressure gauge kit	(1)	RX1351/0
------------------------	-----	-----------------

Includes gauge, pipe etc.

Oil pressure and water temperature gauge kit	(1)	RX1351/0W
--	-----	------------------

Includes gauge, pipe, etc.

Bracket (for remote mounting of gauge)	(1)	RB7050
Adaptor - oil pipe to block	(1)	143943
Adaptor - temp sender to water pump housing	(1)	11K2846
Washer (copper) (for adaptor 11K2846)	(1)	AED172
'T' piece	(1)	RX1352

Required when fitting oil pressure gauge kit if retaining low pressure warning light.

Oil pressure switch	(1)	GPS117
Oil pressure relief valve	(1)	132107
Spring - Oil pressure valve;		
Standard	(1)	131535
Up-rated	(1)	131535UR
Washer - Oil pressure valve	(1)	6K433
Housing - Oil pressure valve	(1)	107246



SPIN-ON FILTER CONVERSION

Recommended for all owners!

This converts the standard 'Bowl' & element oil filter to the more efficient 'Spin-on' cartridge type. It makes filter changing easier (& cleaner) and prevents oil draining back into the sump thus avoiding the 'start-up rattle'.

Adaptor only (Spin-on oil filter);

vehicle without Oil cooler	(1)	RR1238
vehicle with Oil cooler fitted	(1)	RR1275

Oil filter cartridge only (1) **RR1243**

Service kit (0' rings) (For adaptor) (1) **R1238SK**

ROCKER GEAR OIL FEED KIT

A remote mounted kit for increased lubrication to the rocker gear.

See 'Accessories' for full details.

Oil feed kit	(1)	RR1340
--------------	-----	---------------

ENGINE OIL COOLER

FIT AN OIL COOLER KIT FOR PEACE OF MIND.

Kits include oil cooler radiator, fitting kit, filter adaptor, hoses & fittings, but not thermostat.

Engine oil cooler kit	(1)	516375
-----------------------	-----	---------------

Suitable for vehicles fitted with standard or spin-on oil filter.

Engine oil cooler kit	(1)	RR1296
-----------------------	-----	---------------

Suitable for all vehicles. Also converts to spin-on type oil filter.

Thermostat (Engine oil cooler)	(1)	RS1456
--------------------------------	-----	---------------

Not included in oil cooler kit.

ENGINES & COMPONENTS

DESCRIPTION QTY REQ. PART NO.

Crankshaft & Flywheel

*See: Important Information - Early GT6 MK1 Engines/Components.
See also: Piston & Conrod*

CRANKSHAFT & BEARINGS

Crankshaft (All models) (Except early Mk1);		
New (Includes shells & thrust washers)	(1)	308034
New (Less shells)	(1)	308034N
Reconditioned (Includes shells)	(1)	308034R
Pilot (Spigot) bush	(1)	105143

Main bearing set;

Mk1 (Early - to eng no KC/KD5000E)-		
Standard size	(1)	144194
+ 0.010" Oversize	(1)	144194.010
+ 0.020" Oversize	(1)	144194.020
+ 0.030" Oversize	(1)	144194.030
+ 0.040" Oversize	(1)	144194.040
+ 0.050" Oversize	(1)	144194.050
+ 0.060" Oversize	(1)	144194.060

Mk1 (Late - from KC5001E), Mk2 & Mk3 -

Standard size	(1)	RTC1752
+ 0.010" Oversize	(1)	RTC1752.010
+ 0.020" Oversize	(1)	RTC1752.020
+ 0.030" Oversize	(1)	RTC1752.030
+ 0.040" Oversize	(1)	RTC1752.040
+ 0.060" Oversize	(1)	RTC1752.060

*Also available in Vandervell, please enquire.

Big-end bearing set (Conrod);

Mk1 (Early - to eng no KC/KD5000) -		
Standard size	(1)	128391Set
+ 0.010" Oversize	(1)	128391.010Set
+ 0.020" Oversize	(1)	128391.020Set
+ 0.030" Oversize	(1)	128391.030Set
+ 0.040" Oversize	(1)	128391.040Set

Mk1 (Late - from KC5001), Mk2 & Mk3 -

Standard size	(1)	RTC1751
+ 0.010" Oversize	(1)	RTC1751.010
+ 0.020" Oversize	(1)	RTC1751.020
+ 0.030" Oversize	(1)	RTC1751.030
+ 0.040" Oversize	(1)	RTC1751.040
+ 0.060" Oversize	(1)	RTC1751.060

Thrust washers (Pair);

Standard size	(1pr)	BHM1366
+ 0.005" Oversize	(1pr)	BHM1366.05
+ 0.015" Oversize	(1pr)	BHM1366.015
+ 0.030" Oversize	(1pr)	BHM1366.030

Oil Seals - Crankshaft;

Front (Timing cover)	(1)	UKC1110
Rear (Main)	(1)	143456

Housing (Rear main oil seal)	(1)	156530
------------------------------	-----	---------------

Gasket (Seal housing to block)	(1)	105321
--------------------------------	-----	---------------

Sump gasket set;

With oil seals	(1)	GEG214K
Without oil seals	(1)	GEG214

DESCRIPTION QTY REQ. PART NO.

CRANKSHAFT PULLEY & FITTINGS

Crankshaft pulley/damper;		
Mk1 (Late) & Mk2	(1)	133244
Mk3	(1)	154380

Fan belt;

Mk1 (Early) (To KC/KD7905E)	(1)	GCB11125
Mk1 (Late) (From KC/KD7906E)	(1)	GCB11088
Mk2 (To KC76718)	(1)	GCB11125
Mk2 (From KC76719)	(1)	GF11162
Mk3	(1)	GF11150

Bolt (Pulley & adaptor to crankshaft)	(1)	BH610161
---------------------------------------	-----	-----------------

Adaptor (Cooling fan)	(1)	133238
-----------------------	-----	---------------

Dowel (Adaptor & pulley to crankshaft)	(1)	140419
--	-----	---------------

Sleeve (Front oil seal)	(1)	133235
-------------------------	-----	---------------

Oil thrower	(1)	119390
-------------	-----	---------------

Sprocket - Crankshaft	(1)	119389
-----------------------	-----	---------------

Woodruff Key (Sprocket to crankshaft)	(1)	133234
---------------------------------------	-----	---------------

Shim - Crankshaft sprocket;		
0.004" (Use as required)	(a/r)	145275
0.006" (Use as required)	(a/r)	145276

FLYWHEEL & FITTINGS

Flywheel assembly (Recon/exchange)	(1)	148042
------------------------------------	-----	---------------

Mk1 Late (from KC5001), Mk2 & Mk3 only.

Ring gear	(1)	201350
-----------	-----	---------------

Bolt (Flywheel to crankshaft)	(4)	UKC4254
-------------------------------	-----	----------------

Dowel (Flywheel to crankshaft)	(1)	DP619
--------------------------------	-----	--------------

Rear engine plate	(1)	211514
-------------------	-----	---------------



DESCRIPTION QTY REQ. PART NO.

Piston & Conrod

*See: Important Information - Early GT6 MK1 Engines/Components.
See also: Cylinder Block & Components & Crankshaft/Pulley & Flywheel.*

IMPORTANT NOTE- PISTONS:

'Flat-top' & 'Domed-top' Pistons are NOT interchangeable, and MUST be replaced 'like for like'.

PISTON SETS (Flat Top)

Piston set (includes 6 pistons c/w rings & gudgeon pins);		
Standard size	(1)	149976
+ 0.020" Oversize	(1)	149976.020
+ 0.030" Oversize	(1)	149976.030
+ 0.040" Oversize	(1)	149976.040
+ 0.060" Oversize	(1)	149976.060

PISTON SETS (Domed Top)

Piston set (includes 6 pistons c/w rings & gudgeon pins);		
Standard size	(1)	158112
+ 0.020" Oversize	(1)	158112.020
+ 0.030" Oversize	(1)	158112.030
+ 0.040" Oversize	(1)	158112.040
+ 0.060" Oversize	(1)	158112.060

PISTON RING SETS

(for Hepolite Flat Top pistons 149976)

Piston ring set (Per engine);		
Standard size	(1)	127262
+ 0.020" Oversize	(1)	127262.020
+ 0.030" Oversize	(1)	127262.030
+ 0.040" Oversize	(1)	127262.040
+ 0.060" Oversize	(1)	127262.060

PISTON RING SETS (for Domed Top pistons 158112)

Piston ring set (Per engine);		
Standard size	(1)	RTC2428
+ 0.020" Oversize	(1)	RTC2428.020
+ 0.030" Oversize	(1)	RTC2428.030
+ 0.040" Oversize	(1)	RTC2428.040
+ 0.060" Oversize	(1)	RTC2428.060

Gudgeon Pin	(6)	127265
-------------	-----	---------------

Circlip (Gudgeon pin)	(6)	508978
-----------------------	-----	---------------

CONROD

Mk1 (Late from KC5001), Mk2 & Mk3 only.

Conrod (Reconditioned)	(6)	146454
------------------------	-----	---------------

Small end bush	(6)	119813
----------------	-----	---------------

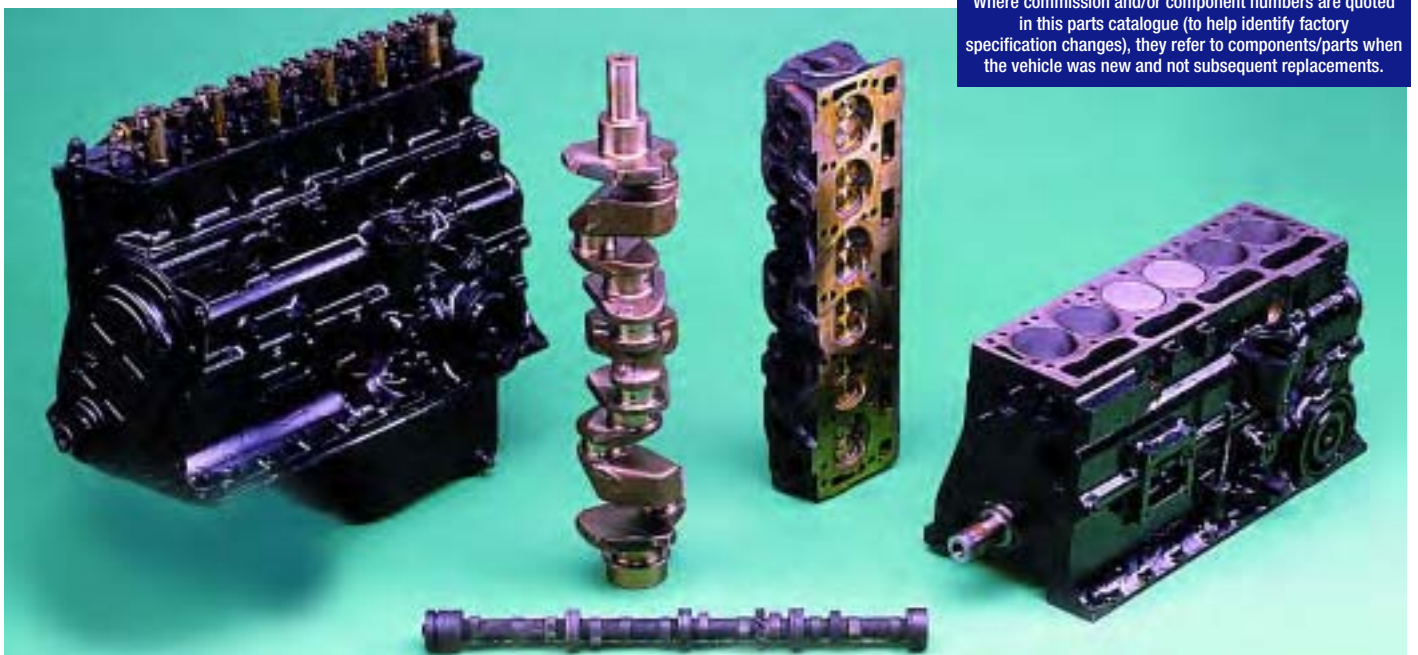
Dowel (Hollow)	(12)	107401
----------------	------	---------------

Bolt - Conrod	(12)	UKC2598
---------------	------	----------------

For Con rod (Big end) bearings - See Crankshaft & Flywheel section.

COMPONENT & COMMISSION NUMBERS

Where commission and/or component numbers are quoted in this parts catalogue (to help identify factory specification changes), they refer to components/parts when the vehicle was new and not subsequent replacements.



DESCRIPTION QTY REQ. PART NO.

Camshaft & Timing Gear

See: Important Information - Early GT6 MK1 Engines/Components.

Camshaft (UK Spec);		
Mk1 (Late) (New)	(1)	307621
Mk1 (Late) (Reprofiled) (Exchange)	(1)	307621R
Mk2 & Mk3 (New)	(1)	311399
Mk2 & *Mk3 (Reprofiled) (Exchange)	(1)	311399R
Cam follower (All)	(12)	143552

TIMING CHAIN

Timing chain kit (All)	(1)	RH5003
<i>Includes timing chain, oil seal, tensioner & gasket.</i>		
Timing chain (Simplex)	(1)	105131
Sprocket - Camshaft	(1)	35960
Locking plate (Sprocket to camshaft)	(1)	36411
Setscrew (Sprocket to camshaft)	(2)	100500
Locating plate (Camshaft to block)	(1)	105114
Setscrew (Locating plate 105114 to block)	(2)	SH605071
Sprocket - Crankshaft	(1)	119389
Tensioner - Timing chain	(1)	42425
Pin (Drilled) (Tensioner to anchor plate)	(1)	33214
Washer - Flat (For pin 33214)	(2)	WP18
Split pin (For pin 33214)	(2)	PS103121
Anchor plate - Tensioner	(1)	43752
Rivet (For anchor plate 453572)	(1)	RR610040

TIMING COVER & FITTINGS

Timing cover	(1)	217790
Gasket;		
Timing cover to engine plate	(1)	211126
Engine plate to block	(1)	215350
Oil seal (Crankshaft front)	(1)	UKC1110

DESCRIPTION QTY REQ. PART NO.

DISTRIBUTOR & OIL PUMP DRIVE

Drive shaft & gear assembly-		
Oil pump/distributor	(1)	126786
Gear - Drive shaft	(1)	126785
Pin - Gear to shaft	(1)	500974
Pedestal - Distributor	(1)	126784
Shim - Pedestal (0.006")	(a/r)	104939
Bush - Oil pump/distributor drive;		
Mk1, Mk2 & early Mk3's	(1)	137978
Late Mk3	(1)	149776

Clutch

See: Important Information - Early GT6 MK1 Engines/Components.
See also: 'Gearbox & Overdrive - Clutch Housing & Operation'.

Clutch kit (Includes NEW OE Spec' cover, plate & bearing);		
Mk1 (Late), Mk2, Mk3	(1)	RG1018
Clutch alignment tool	(1)	RX1385
Clutch cover (Borg & beck)	(1)	GCC228
Clutch driven plate (Borg & beck)	(1)	GCP140
Clutch driven plate* (Borg & beck)	(1)	GCP177
<i>*NOTE: For use with Laycock type clutch covers only.</i>		
Release bearing (All except early Mk1)	(1)	GRB209
Clutch release bearing carrier	(1)	143707
Bolt (Clutch cover to flywheel)	(6)	SH505061
Washer - Locking (For bolt SH505061)	(6)	GHF332
Dowel (Clutch cover to flywheel)	(3)	UKC1937
Pedal rubbers (Clutch/brake)		
Mk3	(2)	150881
Mk1 & Mk2	(2)	122289

NOTE: For Clutch Release Mechanism, please refer to; 'Clutch Housing & Operation' under 'GEARBOX & OVERDRIVE' section heading.

DESCRIPTION QTY REQ. PART NO.

Clutch Hydraulics

Clutch master cylinder;		
Original specification	(1)	GMC205
Non-original alternative	(1)	GMC205ALT
Repair kit (Master cylinder)	(1)	GRK1029
Filler cap	(1)	500201A
Gaïter/boot (Master cylinder)	(1)	125217
Clutch slave cylinder	(1)	516788
Repair kit (Slave cylinder)	(1)	505704
Push rod (Slave cylinder)	(1)	13H6639
Bleed screw (Slave cylinder)	(1)	556508A
Setscrew (Slave cyl mounting)	(2)	SH605071
Washer - Locking	(2)	GHF332

<i>For setscrew SH605071</i>		
Pipe (Master cylinder to slave cyl)		
RHD		
Steel pipe	(1)	209504
Braided pipe (alternative)	(1)	209504GR
LHD		
Braided pipe (alternative)	(1)	3059374GR
Clutch/brake fluid;		
Unipart (DOT 3) (1 litre)	(a/r)	GBF103
Silicone (0.5 litre)*	(a/r)	RX1327
Silicone (1 litre)*	(a/r)	RX1326
<i>*Do not mix with standard fluid.</i>		

SILICONE CLUTCH/BRAKE FLUID

Unlike normal clutch/brake fluids, Silicone fluid does not absorb moisture. This will avoid corrosion in the system (and under strenuous braking conditions tends not to boil). Also, it won't harm paintwork if spilt.
Note: do not mix with standard fluid.

Engine Mountings

Engine mounting (Rubber)	(2)	UKC8330
Spacer (Mounting to chassis)	(2)	145199
Bolt (Mounting to chassis)	(4)	GHF106
Nut - Locking (For bolt GHF106)	(4)	GHF223
Nut - Locking (Engine mounting to bracket)	(4)	TN3209
Washer - Plain (For nut TN3209)	(4)	GHF302
Mounting bracket;		
Right hand	(1)	133284
Left hand	(1)	133285
Setscrew (Mounting bracket to cyl block)	(8)	SH606061
Washer - Locking (For setscrew SH606061)	(8)	GHF333

Gearbox Mountings

NON-OVERDRIVE MODELS		
Gearbox mounting (Rubber)	(2)	122689
Washer;		
Plain (Mounting to gearbox/bracket)	(4)	GHF301
Locking (Mounting to gearbox/bracket)	(4)	GHF332
Nut - Plain (Mounting to gearbox/bracket)	(4)	GHF201

OVERDRIVE MODELS		
Gearbox/overdrive mounting (Rubber)	(1)	159656
Setscrew (Mounting to overdrive unit)	(2)	SH605071
Washer - Locking (For setscrew SH605071)	(2)	GHF332
Setscrew (Mounting to platform/bracket)	(2)	GHF120
Washer;		
Plain (Mounting to gearbox/bracket)	(4)	GHF301
Locking (Mounting to gearbox/bracket)	(4)	GHF332
Nut - Plain (For setscrew GHF120)	(2)	GHF201





COOLING SYSTEM CAPACITY
Cooling system (Inc Heater/Expansion bottle) = 11 pints (6.2 litres)

COOLING & HEATING

Water Pump & Thermostat

Water pump (Includes pump to housing gasket);		
Mk1 & Mk2	(1)	GWP200
Mk3	(1)	GWP201
Gaskets (Water pump);		
Water pump to housing	(1)	138701
Housing to cylinder head	(1)	138792
Stud (Water pump to housing)	(3)	TE605105
Nut (For studs TE605105)	(3)	GHF201
Washer - Locking (For studs TE605105)	(3)	GHF332
Bolts;		
Housing to head	(1)	BH605261
Housing to head	(1)	BH605201
Housing to head	(1)	BH605181
Washer - Locking (For above 3 bolts)	(3)	GHF332
Temperature transmitter	(1)	GTR108
Thermostat (82°)	(1)	GTS104
Gasket (Thermostat housing)	(1)	GTG103
Housing - Thermostat	(1)	212971
Bolt (Thermostat housing)	(2)	GHF104
Washer - Locking (For bolt GHF104)	(2)	GHF332

KENLOWE ELECTRIC FAN KIT - RB7065



Cooling Fan & Coupling

Fan belt;		
Mk1 (To KC/KD7905E)	(1)	GCB11125
Mk1 (Late) (From KC/KD7906E)	(1)	GCB11088
Mk2 (To KC76718)	(1)	GCB11125
Mk2 (From KC76719)	(1)	GFB11162
Mk3	(1)	GFB11150
Kenlowe electric fan kit	(1)	RB7065
Cooling fan (Standard - 8 blade)	(1)	308353
Fasteners - Standard cooling fan;		
Bolt (Fan locating)	(4)	SH605101
Tab washer	(2)	107857
Bush		
Rubber	(8)	108496
Poly	(8)	108496P
Sleeve (Steel)	(4)	108499
Washer	(4)	GHF301

Radiator & Hoses

Radiator - Reconditioned (Exchange)	(1)	311873R
Drain tap	(1)	132565
Kenlowe electric fan kit	(1)	RB7065
Anti-freeze (Unipart);		
1 Litre	(a/r)	GAC2018
5 Litre	(a/r)	GAC2019
Holts Radweld - 250ml	(a/r)	RX1508
Radiator cap		
13lb	(1)	GRC114
7lb	(1)	GRC112
Hose kit (Per vehicle)	(1)	RG1128
Includes all radiator/heater hoses & clips.		
Top hose	(1)	GRH533
Bleed hose	(1)	GRH553
Bottom hose	(1)	GRH513
Hose clips;		
for Top & bottom hoses	(4)	GHC1015
for Bleed hose	(2)	GHC709
Radiator cowl (Board)	(1)	818879
Valance board (Engine bay);		
Right hand	(1)	905222
Left hand	(1)	910045
Clip (Mk3 only, wiring harness to valance boards)	(2)	153227
Overflow bottle	(1)	137632
Cap (Overflow bottle)	(1)	137743
Hose (Overflow-radiator to bottle)	(1)	ULC2122
Strap/clamp (Overflow bottle)	(1)	137624
Bracket (Overflow bottle)	(1)	145671
Setscrew (Bottle bracket to body)	(2)	SH604041
Washer;		
Plain (For setscrew SH604041)	(2)	WC701121
Locking (For setscrew SH604041)	(2)	GHF331
Nut (For setscrew SH604041)	(2)	GHF200



ENGINE OIL COOLER

FIT AN OIL COOLER KIT FOR PEACE OF MIND.
Kits include oil cooler radiator, fitting kit, filter adaptor, hoses & fittings, but not thermostat.

Engine oil cooler kit	(1)	516375
Suitable for vehicles fitted with standard or spin-on oil filter.		
Engine oil cooler kit	(1)	RR1296
Suitable for all vehicles. Also converts to spin-on type oil filter.		
Thermostat (Engine oil cooler)	(1)	RS1456
Not included in oil cooler kit.		

Inlet Manifold Water Pipe & Hoses

Hose kit (Per vehicle)	(1)	RG1128
Includes all radiator/heater hoses & clips.		
Hose (Water pump to inlet manifold)	(1)	137876
Adaptor (Hose to water pump)	(1)	138530
Fibre washer (For adaptor 138850)	(1)	WF524
Adaptor* (Hose to inlet manifold-front)	(1)	138810
*Mk1 (Late) & Mk2 models only.		
Water pipe (Heater return)	(1)	217467SS
Adaptor (Pipe to water pump)	(1)	101343
Sleeve nut (For adaptor 101343)	(1)	101302
Compression olive (For nut 101302)	(1)	TL11
Hose (Pipe to inlet manifold-rear);		
Mk1 (Late) & Mk2	(1)	140986
Mk3	(1)	149699
Adaptor (Y adaptor -rear of manifold)	(1)	145407
Banjo bolt (Adaptor 145938 to manifold)	(1)	145155
Fibre washer;		
Large hole (for bolt 145155)	(1)	WF550
Small hole (for bolt 145155)	(1)	WF534
Hose clips	(a/r)	GHC507
For hoses 137876, 140986, 149699		

HEATER WATER VALVE



Heater/Controls & Heater Hoses

HEATER, WATER VALVE & HOSES		
Heater unit - Recon (Exchange)	(1)	911590R
Hose kit (Per vehicle)	(1)	RG1128
Includes all radiator/heater hoses & clips.		
Heater water valve;		
Mk1 (Late) & Mk2	(1)	565755
Mk3	(1)	724022
Heater hoses;		
Water valve to heater (Feed);		
without Brake servo	(1)	613488
with Brake servo	(1)	159360
Heater to inlet manifold (Return)	(1)	GZA983
Connects to Y adaptor 145938.		
Hose clips	(a/r)	GHC507
For hoses 613488, 159360, GZA983		
HEATER CONTROL CABLES		
Heater temp' control cable	(1)	625687
To water valve		
Control cable (Heat/air distribution)	(1)	624193
Resistor (For fan control)	(1)	7H6926

DESCRIPTION QTY REQ. PART NO.

Stromberg Carb type identification to Models;

Model	Carb Type	Carb No
Mk1 (All models)	CD150	3092
Mk2 (All models)	CD150S	3223
Mk3 (To KE10,000)	CD150SE	3335
Mk3 (From KE10,000)	CD150SE	3432

Carburettors/ Components & Fittings

For Inlet manifold fittings, see 'Cooling & Heating'.

STROMBERG CD 150

Carbs - Reconditioned (Pair) Available for Mk1, Mk2, Mk3 (to KE10,000) and Mk3 (KE 10,000 on).	(1 pr)	RG1039R
Carb adjusting tool	(1)	RX1222
Studs - Carb to manifold	(4)	129383
Insulator block (Carb to manifold);		
Mk1 & Mk2	(2)	137882
Mk3	(2)	147660
Gasket (Carb to insulator to manifold);		
Mk1 & Mk2	(4)	137881
Mk3	(4)	147659
Carb gasket kit (Per carb); Including 'O' rings.		
Mk1	(2)	RH5220
Mk2	(2)	514470
Mk3	(2)	516990
Carb service kit (per carb); Including diaphragm, jet orifice, needle valve & 'O' rings.		
Mk1	(2)	RG1296
Mk2	(2)	RG1297
Mk3	(2)	RG1298
Carb overhaul kit (per vehicle); Including items in service kit plus gaskets, butterflys & spindles.		
Mk1	(2)	RG1299
Mk2	(2)	RG1300
Mk3	(2)	RG1301
Screw (Carb top to main body)	(8)	605847A
Damper/rod/piston (Screw in top)	(2)	515112
'O' ring (For damper/rod 515112)	(2)	516988
Spring - Damper	(2)	516945
Diaphragm (CD 150)	(2)	521153
Metering needle;		
Mk1	(2)	515724
Mk2	(2)	517864
Mk3 (Vehicles to KE10,000)	(2)	520013
Mk3 (Vehicles from KE10,001)	(2)	520449
Mk1 & Mk2 Were K&N and extractor manifold fitted.	(2)	514976
Mk3 Were K&N and extractor manifold fitted.	(2)	520027
'O' ring (Metering needle)	(2)	512317
Jet (orifice)		
Mk1 & Mk2	(2)	513700
Mk3 (Vehicles to KE10,000)	(2)	NKC125J
Mk3 (Vehicles from KE10,001)	(2)	RG1165
Needle valve	(2)	517453
Float assembly		
Mk1	(2)	515721
Mk2 & Mk3	(2)	605833A
Pivot pin (Float assembly)	(2)	606819A
Gasket - Float chamber Included in gasket kit 516990.	(2)	12882A
Plug (Float chamber)	(2)	520404
'O' ring (Float chamber)	(2)	512311
Throttle spindle;		
Mk1		
Front	(1)	514964
Rear	(1)	513684
Mk2		
Front or rear	(2)	513717
Mk3		
Front	(1)	513717
Rear	(1)	520015
Butterfly (Throttle disc)	(2)	513689
Screw (Butterfly to spindle)	(4)	605801

DESCRIPTION QTY REQ. PART NO.

CARB OVERHAUL COMPONENTS



Accelerator & Choke Cables

Accelerator Cable;		
Mk3 (RHD & LHD)	(1)	156353
Spring - Throttle return;		
Mk1 & Mk2	(1)	137482
Mk3 (To KE/KF20000)	(1)	57950
Mk3 (From KE/KF20001)	(1)	159763
Choke cable;		
Mk1	(1)	402694
Mk2 & Mk3	(1)	517792
Grommet (Choke cable)	(1)	61917
Clip (Cable to carb lever)	(1)	517001Clip

Air Cleaner - Standard

Air filter element	(2)	GFE1051
Air cleaner assembly;		
Mk1	(1)	214414
Mk2 & Mk3	(1)	215496
Air cleaner front cover	(1)	215497
Air cleaner back plate	(1)	214413
Seal (Air cleaner body)	(1)	141648
Gasket - air cleaner 4 fit between elements, back plate & cover, 2 fit between air box & carbs.	(6)	148006
Air intake pipe - Flexible (Mk3 only)	(2)	616012



K&N AIR FILTERS

These filters will give improved engine breathing & performance.

Note: When fitting 'K&N' air filters, Sports exhaust and/or Tubular extractor manifolds, the carb metering needles may require changing and/or the carbs re-adjusted.

K&N Air filter		
Pair	(1)	RM8230
Each	(2)	RL1575
Cleaning fluid (1 Litre) (K&N filters) Use to clean elements when servicing.	(a/r)	RX1346
Element oil (K&N filters); Use to re-oil filter elements after cleaning.		
57cc Sachet	(a/r)	RX1347
250ml Bottle	(a/r)	RX1348
400ml Aerosol	(a/r)	RX1349
Carb needle Use when K&N and tubular manifolds fitted.		
Mk1 & Mk2	(2)	514976
Mk3	(2)	520027

DESCRIPTION QTY REQ. PART NO.

Engine Breather

All vehicles (When fitted) UP TO KE10000E

Adaptor (Locates in inlet manifold)	(1)	138530
Fibre washer (Adaptor to manifold)	(1)	WF513
Hose (Adaptor to breather valve)	(1)	156876
Breather valve assembly	(1)	151658
Diaphragm (Breather valve) Comprises diaphragm, lower plunger & top cover.	(1)	27H7758
Hose (Breather valve to rocker cover)	(1)	143323
Hose clips (For hoses 156876/143323)	(4)	GHC406

All MK3 vehicles FROM KE10001E

Hose - Rocker cover to 'T' piece	(1)	154213
'T' piece	(1)	154211
Hose - Carb to 'T' piece;		
Front	(1)	152855
Rear	(1)	154216
Adaptor - Hose to carbs	(2)	154934
Hose clips (For hoses 154216/152855)	(4)	GHC406
Vacuum hose - Manifold to servo	(1)	159230

FUEL PUMP & FILTER



Fuel Pump & Filter

Fuel pump (Replacement type)	(1)	213577
Repair kit (Original AC fuel pump)	(1)	AEU2760A
Gasket - Pump to block	(1)	138791
Stud - Pump to block;		
Mk1 & Mk2	(2)	100433
Mk3	(2)	TE605105
Fuel pipe kit (All models) (Tank to engine)	(1)	RG1159
Fuel filter (In-line)	(1)	GFE7004
Clip - Fuel/Brake pipe;		
Metal clip (Single)	(a/r)	59191
Plastic clip (Double)	(a/r)	624155

Fuel Tank & Fittings

Fuel tank

Refer to reconditioned (customers own unit) where new tanks are unavailable.

Mk1	(1)	307325
Mk2	(1)	308678
Mk3 (early)	(1)	312411
Mk3 (late)	(1)	311341
Fuel sender unit; (inc. rings & seals)		
Mk1, Mk2 & Mk3 (Mk3 to KE/KF20,000)	(1)	215468
Mk3 (From KE/KF20,000)	(1)	312415
Retaining ring (Sender unit)	(1)	ARA1501
Seal (Sender unit)	(1)	ARA1502
Fuel pipe kit (All models) (Tank to engine)	(1)	RG1159
Fuel filter (In-line)	(1)	GFE7004
Clip - Fuel/Brake pipe;		
Metal clip (Single)	(a/r)	59191
Plastic clip (Double)	(a/r)	624155

FUEL PIPE KIT & TANK SENDER



FUEL CAPS FOR ALL MODELS

Fuel Cap

Filler cap;

Mk1 & Mk2 (Non-Locking)	(1)	725117
Mk1 & Mk2 (Locking)	(1)	571086
Mk1 & Mk2 (Locking - lozenge shaped)	(1)	GAC6001X
Mk3 (Locking) (Complete with keys)	(1)	718750
Flap Seal (lid);		
Mk1 & Mk2	(1)	718738
Mk3	(1)	725414
Gasket/Grommet - cap to body;		
Mk1 & Mk2	(1)	650247
Mk3	(1)	619122



Manifold & Fittings Standard

See also: **Sports Exhaust Systems.**

Exhaust manifold - Standard;		
Mk1	(1)	306483R
Mk2 & Mk3	(1)	308290R
Gasket - Exhaust/inlet manifold to head;		
Mk1	(1)	AJM613
Mk2 & Mk3	(1)	GEG682
Gasket - Exhaust manifold to down pipe;		
Mk1	(1)	GEG701
Mk2 & Mk3	(1)	GEG718

EXHAUST MANIFOLD FIXINGS (Studs/Bolts)

Manifold to down pipe;		
Mk1 -		
Stud	(3)	TE605105
Nut (For TE605105)	(3)	515369
Washer-Locking (For TE605105)	(3)	GHF332
Mk2 & Mk3 -		
Stud	(3)	115696
Nut (For 115696)	(3)	108951
Washer (For 115696)	(3)	GHF333

Manifold to cylinder head - Mk1;

Stud - Outer (Exh manifold only to head)	(2)	105124
Nut (For 105124)	(2)	100498
Washer - Plain (For 105124)	(2)	GHF333
Stud - Top/outer (Manifold to head)	(2)	105124
Washer - Locking (For 105124)	(2)	GHF332
Nut - Plain (For stud 105124)	(2)	GHF201
Bolt*	(6)	BH606141
Washer - Plain* (For BH606141)	(6)	GHF333
Washer - Spherical* (For BH606141)	(6)	119324
Clamp*	(6)	123760
Plate*	(6)	123761
*These items locate exhaust & inlet manifolds to head.		
Dowel* (Special)	(1)	127398
Stud* (Inlet manifold to exh manifold)	(1)	129619
Washer - Locking* (For 129619)	(1)	GHF333
Nut - Lock* (Special) (For 129619)	(1)	NT606041
*These items also locate the inlet manifold.		

Manifold to cylinder head - Mk2 & Mk3;

Stud - Outer (Exh manifold only to head)	(4)	105124
Nut*	(3)	GHF201
Washer - Locking*	(3)	GHF332
Nut*	(10)	100498
Washer - Plain*	(10)	GHF333
Clamp (Special)*	(6)	58258
*These items locate exhaust & inlet manifolds to head.		
Stud*	(3)	TE605105
Stud*	(6)	105125
Dowel* (Special)	(2)	DS3112
*These items also locate the inlet manifold.		

COMPONENT & COMMISSION NUMBERS

Where commission and/or component numbers are quoted in this parts catalogue (to help identify factory specification changes), they refer to components/parts when the vehicle was new and not subsequent replacements.

**STANDARD STAINLESS SYSTEM
MK1 - RG1173**



**STANDARD STAINLESS SYSTEM
MK2 - RG1145**



**STANDARD STAINLESS SYSTEM
MK3 - RG1024**



Exhaust Systems Standard

MILD STEEL EXHAUSTS

Most mild steel exhausts are no longer available, having been discontinued by all the major manufacturers.

Please refer to our Price Guide using the 'GEX' part number prefix (see below) - without an 'SS' suffix - for current price and availability of mild steel exhaust components.

We do offer - from stock, a full range of Stainless Steel exhausts (at very affordable prices!), which will ensure long exhaust life and enhance the value of your vehicle.

STAINLESS STEEL EXHAUSTS (Standard)

Our standard Stainless Steel exhausts carry a 'Lifetime' guarantee.

See also: **Sports Exhaust Systems.**

Mk1 GT6 (Standard rear silencer)

Full system (Stainless steel)	(1)	RG1173
Front pipe	(1)	GEX1266SS
Intermediate pipe & silencer	(1)	GEX6039SS
Rear silencer & single tailpipe	(1)	GEX3216SS
Fitting kit (For full system)	(1)	RG1175

Mk2 GT6 (Standard rear silencer)

Full system (Stainless steel)	(1)	RG1145
Front pipe	(1)	GEX1480SS
Rear silencer & twin tailpipes	(1)	GEX3403SS
Fitting kit (For full system)	(1)	RG1176

Mk3 GT6 (Standard rear silencer)

Full system (Stainless steel)	(1)	RG1024
Front pipe	(1)	GEX1440SS
Intermediate pipe & silencer	(1)	GEX1680SS
Rear silencer & twin tailpipes	(1)	GEX3483SS
Fitting kit (For full system)	(1)	RG1017

Tubular Exhaust Manifolds

STAINLESS STEEL

Note: When fitting Sports exhaust, Tubular extractor manifold and/or K&N air filters, the carburettors may require adjustment. Please see 'Needles' in Carburettor sections.

Mk1 TUBULAR MANIFOLD - RG1276SS

Mk2 & Mk3 STANDARD TUBULAR MANIFOLD - RG1143SS 6 INTO 2 INTO 1

Mk2 & Mk3 SPECIAL TUBULAR MANIFOLD - RG1288SS 6 INTO 3 INTO 1. IMPROVED PERFORMANCE.

6 branch tubular manifold; See photos.

Mk1 Stainless steel (1) **RG1276SS**
6 into 2 into 1.

Mk2 & Mk3 Stainless steel Standard spec (1) **RG1143SS**
6 into 2 into 1.

Large bore (mandrel bent) (1) **RG1288SS**
6 into 3 into 1. Improved performance.

Inlet/exhaust manifold gasket (to cyl head)

Mk1 (1) **AJM613**
Mk2 & Mk3 (1) **GEG682**

INSULATING HEAT WRAP



For Tubular Manifolds

Thermo-Tec™ Insulating Wrap gives Safety with Performance

Tubular manifolds by design produce a vast amount of heat in the engine compartment. This increases the possibility of electrical/ignition components not working effectively and promotes a higher risk of fire (if any combustible material comes in to contact with the manifold), not to mention the likelihood of severe burns when working on the engine!

By wrapping your tubular manifold with Thermo-Tec insulating wrap you can overcome all these risk factors.

Thermo-Tec keeps the heat within the manifold so the exhaust gases have a much higher velocity, this induces negative pressure (scavenging) which increases air intake flow, resulting in better performance & economy.

Technical Notes:

Thermo-Tec heat wrap - which is race & rally proven - comes in rolls 2" wide x 50ft long (2 rolls required for GT6's) and moulds to the contours of the manifold.

Being a Silica based fabric (it does not contain asbestos or carcinogens) it is unaffected by oil or water, withstands temperatures up to 1000 degrees Celsius and reduces under bonnet temperatures by up to 70%.

Snap-Strap Retaining Kit

We strongly recommend that you use Snap-Straps to retain the insulation. These are Stainless Steel straps with a narrow profile (for tight spots) that you cut to length and fasten with snap type heads. Alternatively you can skin your knuckles and use hose clips!

Thermo-Tec Insulating wrap - 2" x 50' roll (2) **RX1382**
Thermo-Tec Snap-Strap kit - Stainless steel (1) **RX1383**

Sports Exhaust Systems - Twin Rear Silencer

Stainless Steel

These systems use twin rear silencers which couple directly to a 'Y' pipe, connector pipe and either a tubular exhaust manifold or standard downpipe, depending on which system you decide fit.

PART TWIN SPORTS SYSTEM (LESS MANIFOLD) - RL1207SS

FULL TWIN SPORTS SYSTEM

Full Twin Sports exhaust & manifold system; Includes Twin sports rear silencer system and 6 branch Tubular manifold. Excludes fitting kit.

Mk1 (1) **RG1277**

Mk2 & Mk3 with standard tubular manifold (1) **RG1279**
with special tubular manifold (1) **RG1279D**

Fitting kit (for Full Twin Sports system); Includes fittings required to fit full twin sports system, including 'manifold to head' gasket.

Mk1 (1) **RG1284**

Mk2 & Mk3 (1) **RG1287**

PART TWIN SPORTS SYSTEM

Part 'Twin' Sports Exhaust system; Less manifold. System connects to either the standard (cut down) downpipe or our 6 branch tubular manifold.

ALL Models (1) **RL1207SS**

Note: if fitting to standard Mk1 downpipe, use adaptor sleeve RL1496.

Fitting kit (for above system) (1) **RG1280**

Adaptor sleeve (1) **RL1496**

As required for Mk1.

Allows exhaust to couple to standard Mk1 downpipe.

FULL TWIN SPORTS SYSTEM (INC MANIFOLD) RG1279D SHOWN

Note: When fitting Sports exhaust, Tubular extractor manifold, and/or K&N air filters, the carburettors may require adjustment. Please see 'Needles' in Carburettor sections.

Sports Exhaust Systems - Single Rear Silencer & Tubular Manifold

Stainless Steel System

These systems include a 'free-flow' single Sports version of the standard rear silencer with polished tail pipes and a stainless steel exhaust system, complete with 6 branch tubular manifold. Sports silencers are available separately, see 'REAR' SPORTS SILENCERS ONLY.

Note: When fitting Sports exhaust, Tubular extractor manifold, and/or K&N air filters, the carburettors may require adjustment.



SINGLE SPORTS EXHAUST (FULL SYSTEM) MK1 - RG1302



SINGLE SPORTS EXHAUST (FULL SYSTEM) MK2 & MK3 - RG1304 (WITH STANDARD TUBULAR MANIFOLD)

SINGLE SPORTS EXHAUST (FULL SYSTEM)

Full 'Single' Sports Exhaust & Manifold system; Includes Single sports rear silencer system and 6 branch Tubular manifold. Excludes fitting kit.

- | | | |
|--------------------------------|-----|----------------|
| Mk1 | (1) | RG1302 |
| Mk2 & Mk3 | | |
| with standard tubular manifold | (1) | RG1304 |
| with special tubular manifold | (1) | RG1304D |

Fitting kit (for Full 'Single' Sports system); Includes fittings required to fit full single sports system, including 'manifold to head' gasket.

- | | | |
|-----------|-----|-----------------|
| Mk1 | (1) | RG1302FK |
| Mk2 & Mk3 | (1) | RG1304FK |



SINGLE SPORTS EXHAUST (FULL SYSTEM) MK3 - RG1304D (WITH SPECIAL TUBULAR MANIFOLD)

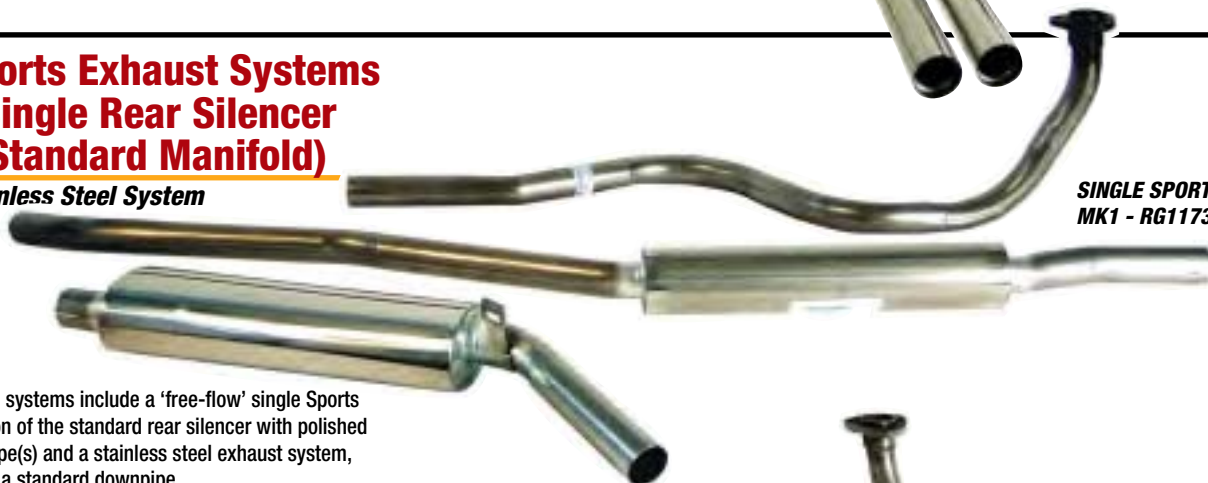
Sports Exhaust Systems - Single Rear Silencer (Standard Manifold)

Stainless Steel System

These systems include a 'free-flow' single Sports version of the standard rear silencer with polished tail pipe(s) and a stainless steel exhaust system, using a standard downpipe.

Sports silencers are available separately, see 'REAR' SPORTS SILENCERS ONLY.

Note: When fitting Sports exhaust, Tubular extractor manifold, and/or K&N air filters, the carburettors may require adjustment.



SINGLE SPORTS EXHAUST MK1 - RG1173SP

SINGLE SPORTS EXHAUST

'Single' Sports Exhaust system; Less manifold. Includes standard downpipe and exhaust system but with Rear Single Sports silencer with polished tailpipe(s).

- | | | |
|-----|-----|-----------------|
| Mk1 | (1) | RG1173SP |
| Mk2 | (1) | RG1145SP |
| Mk3 | (1) | RG1024SP |

Fitting kit (for 'Single' Sports system);

- | | | |
|-----|-----|---------------|
| Mk1 | (1) | RG1175 |
| Mk2 | (1) | RG1176 |
| Mk3 | (1) | RG1017 |



SINGLE SPORTS EXHAUST MK2 - RG1145SP MK3 - RG1024SP (AS SHOWN)

Single Exit Large-Bore Performance Exhaust System (Mk2 & Mk3 only)

Stainless Steel System

This single exit Large-Bore Stainless Steel system really will improve your GT6 - both in looks and performance.

The system improves performance because the exhaust bore being larger (and free flowing) causes a 'pulse' effect, this reduces back pressure, expelling the gases more effectively. The manifold is also of special design being expertly crafted (mandrel bent) to extract the most from your engine (6 into 3 into 1 collectors). The slightly deeper exhaust note gives a very satisfactory sporty sound without being too noisy, while the polished big bore tail pipe looks superb.

Note: When fitting Sports exhaust/tubular manifold, and/or K&N air filters, the carburettors may require adjustment.

SINGLE EXIT LARGE-BORE PERFORMANCE EXHAUST (FULL SYSTEM INC MANIFOLD) Mk2 & Mk3 models only

Full 'Single' Large-Bore system (1) **RG1282**
STAINLESS STEEL SYSTEM INCLUDES;
6-branch (6 into 3 into 1) tubular manifold, a '2 into 1' manifold link pipe, a front intermediate pipe, a rear link and rear silencer/tail pipe. Excludes fitting kit.

Fitting kit (for single large-bore system) (1) **RG1282FK**
Includes fittings required to fit single-large bore performance system, including 'manifold to head' gasket.



**SINGLE EXIT PERFORMANCE SYSTEM
MK2 & MK3 - RG1282**

Rear Sports Silencer

Stainless Steel

These Rear 'free-flow' single sports silencers can be fitted to a standard exhaust system as a direct replacement for the standard rear silencer. The 'free-flow' design gives a sporty exhaust note (without being too noisy) and the polished tailpipe(s) will really enhance your GT6.

Note: When fitting Sports exhaust, Tubular extractor manifold, and/or K & N air filters, the carburettors may require adjustment.

Rear Sports silencer;
Excludes fitting kit.

Mk1 (Single tailpipe) (1) **GEX3482SSSP**
Mk2 & Mk3 (1) **GEX3483SSSP**
Cross Box/Twin Tailpipe

Fitting kit (for Rear Sports silencer);
Includes fittings required to fit rear sports silencer.

Mk1 (1) **GEX3482FK**
Mk2 & Mk3 (1) **GEX3483FK**

REAR SPORTS SILENCER MK1 - GEX3482SSSP



REAR SPORTS SILENCER MK2 & MK3 - GEX3483SSSP



DESCRIPTION QTY REQ. PART NO.

Gearbox & Overdrive Units (Reconditioned)

Gearbox - NON-Overdrive type;

Supplied less; clutch housing, gear lever, top cover extension & ancillaries.

All models (Exchange) (1) **RG1012R**

Gearbox - Overdrive type (Less O/drive);

Supplied less; clutch housing, gear lever, top cover extension, ancillaries & overdrive.

Note: Ensure overdrive is cleaned internally to avoid cross contamination of old oil before fitting to gearbox.

All models (Exchange) (1) **RG1003R**

Gearbox & Overdrive ('D' type);

Gearbox & overdrive supplied assembled, less; clutch housing, gear lever, top cover extension, solenoid, output flange, brackets, ancillaries & wiring.

All models (Exchange) (1) **RG1045R**

Overdrive unit only - 'D' type;

Supplied less solenoid, output flange, adaptor plate & speedo drive.

All models (Exchange) (1) **307862R**

GEARBOX MOUNTING;

See: 'ENGINE & GEARBOX MOUNTINGS' for fixing bolts/nuts etc.

Gearbox mounting (Rubber)

Non-overdrive (2) **122689**
Overdrive (1) **159656**

TUNNEL COVER;

Cover - Gearbox tunnel

For illustration see: BODY PANELS & FITTINGS - Floor Panels/Inner Sill.

Fibreglass (1) **709862FG**
Plastic (1) **709862PL**
Seal kit (1) **RH5091**

Unipart EP90 gear oil (0.5 litre) (a/r) **GGL190**

GEARBOX/OVERDRIVE - OIL CAPACITIES

Gearbox only = 1.1/2 pints (0.9 litres)

Gearbox & overdrive assembly = 2.3/8 pints (1.4 Litres)

Gaskets & Oil Seals (Gearbox)

Gasket sets;

Gearbox (1) **RG1047**
Overdrive (1) **RG1048**

Gaskets -Gearbox & overdrive;

Bellhousing to gearbox (1) **122569**
G/box to rear extension/adaptor (1) **106437**
Top cover to gearbox (1) **22G1911**
Remote G/lever ext' to top cover (1) **120305**
Adaptor to overdrive (1) **37H1901**
Overdrive main case to rear case (1) **37H1901**
Solenoid to overdrive case (1) **7H8196**
Solenoid side plate (1) **513204**
Side plate (1) **506098**

Oil seals - Gearbox & overdrive;

Front cover (Bellhousing) (1) **132292**
Rear output (Non-O/drive) (1) **88G564**
Rear output (Overdrive) (1) **7H8325**

Gearbox Reconditioning Kits

Include gearbox gaskets, oil seals, bearings, synchro rings, layshaft, thrust washers, reverse gear.

NON-Overdrive models;

Mk1 & Mk2 (1) **RV6085**
Mk3 (1) **RG1049**

OVERDRIVE models;

Does NOT include overdrive components or overdrive gaskets.

Mk1 & Mk2 (1) **RG1183**
Mk3 (1) **RG1050**

DESCRIPTION QTY REQ. PART NO.



**GEAR KNOBS
NON-OVERDRIVE**

Clutch Housing & Operation

See: Important Information - Early GT6 MK1 Engines/Components. See also; ENGINE & CLUTCH - Clutch Drive Components & Clutch Hydraulics.

Clutch bellhousing (1) **132077**
Housing (Bush/oil seal) (1) **132078**
Dowel (For 132078 housing) (1) **DP205**
Fulcrum pivot pin (1) **132079**
Oil seal (Bellhousing to gearbox) (1) **132292**
Gasket (Housing to gearbox) (1) **122569**
*Tension spring (3) **137532**
*See 'Technical Jottings' - Re-fitting the clutch/bell housing.
Clutch operating lever (1) **132080**
Carrier - Release bearing (1) **143707**
Clutch release bearing (1) **GRB209**

TECHNICAL JOTTINGS

Re-fitting the bellhousing

Two important points to note when re-fitting bellhousing to gearbox:

- 1) Ensure the 3 tension springs (137532) are inserted in the front lower section of the gearbox case.
- 2) Ensure the correct length bolts/setscrews are used, if too long, fouling will occur with gearbox internals.

Gearbox Case/Rear Extension

Rear Extension for NON-Overdrive models only.

For speedo drive see - 'Speedo Cable & Drive Pinion'.

Gearbox casing (1) **306468**
Rear extension (Non-overdrive);
Mk1 & Mk2 (1) **209590**
Mk3 (1) **217333**
Gasket (Case to extension) (1) **106437**
Bearing - Rear extension/output (1) **157732**
Oil seal - Rear extension/output (1) **88G564**
See also; 'Input Shaft / Mainshaft & Gears', and 'Overdrive & Fittings'.
Oil filler plug (1) **22G2115**
Oil drain plug (Magnetic) (1) **155660**

HELP US TO HELP YOU

If you are not sure which part/part number you require, to help ensure you receive the correct component, wherever possible please quote:

MODEL, YEAR, CHASSIS AND/OR ENGINE NUMBER PLUS ANY COMPONENT INFORMATION.

DESCRIPTION QTY REQ. PART NO.

Gear Lever - Remote & Top Cover Fittings

GEAR LEVER FITTINGS

Gear knob - original type;

Non-overdrive (1) **144095**
Overdrive (Mk3) (Inc cap & switch) (1) **155030**
Cap only (Mk3) (For knob 155030) (1) **155030Cap**
Switch only (Mk3) (For knob 155030) (1) **520999A**
Wiring harness (Mk3) (1) **153726**
Overdrive gear lever

Gear lever knob - alternative Non-overdrive

Wood (1) **RL1528W**
Leather (1) **RL1528L**
Wood (larger Amco style) (1) **RL1528WA**
Leather (larger Amco style) (1) **RL1528LA**
Gaiter - Gear lever (Rubber) (1) **706919**
Gauntlet - Gear lever (vinyl) (1) **RL1587**
Bush kit (Gear lever seating) (1) **519770**
Cap - Lever retaining (1) **126607**

REMOTE FITTINGS (GEAR LEVER)

NOTE; Top cover extension bolts directly to main top cover 158943.

Actuator cam -

Overdrive operating (1) **158072**
Reverse light switch (1) **BAU1074A**
Overdrive inhibitor switch (1) **BAU1074A**

Mounting bracket -

Reverse & overdrive switches (1) **158002**
Locates directly on to extension/top cover.

Top cover casing (1) **158493**

Selector shafts;

1st & 2nd (1) **146240**
3rd & 4th (1) **108021**
Reverse (1) **154945**

Selector forks;

Fork (1st & 2nd) (1) **113868**
Fork (3rd & 4th) (1) **106268**

Speedo Cable & Drive Pinion

NON-Overdrive Models

Speedo Cable (1) **GSD111**
Speedo drive pinion (1) **119100**
O' ring (2) **NKC101A**
Housing/bearing (Speedo drive pinion) (1) **144621**
Oil seal (Speedo drive pinion) (1) **NKC105A**

OVERDRIVE Models

Speedo Cable (1) **GSD115**
Angle drive (1) **120694**
Speedo drive pinion (1) **506119**
O' ring/seal (1) **506115**
Housing/bearing (Speedo drive pinion) (1) **506066**
Mills pin (1/16") (1) **501606**
For housing/bearing 506066
Oil seal (Speedo drive pinion) (1) **NKC105A**

Input Shaft/Mainshaft & Gears

We have only listed major components in this section. There are many parts we hold in stock that are too numerous to list here, if the item you require is not shown, please contact us.

INPUT SHAFT & FITTINGS

Input shaft;		
Mk1 & Mk2	(1)	213113
Mk3	(1)	216972
Bearing - Front (Locates in main case)	(1)	104433
Snap ring (Retains bearing 104433 in casing)	(1)	112654
Circlip (Bearing to shaft)	(1)	129839
Oil Flinger	(1)	106365
Needle roller (Input shaft to mainshaft)	(1)	144782

MAINSHAFT & FITTINGS

Mainshaft - Non-Overdrive models;		
Mk1 & Mk2	(1)	213018
Mk3	(1)	TKC533
Mainshaft - Overdrive models;		
Mk1, Mk2 & Mk3	(1)	TKC923
Mainshaft bearings;		
Centre (Locates in main case)	(1)	104433
Rear (Non-overdrive)+	(1)	157732
Rear (Overdrive)++	(1)	533360A

+Locates in rear extension case. ++Locates in overdrive case.

Mainshaft oil seals;		
Front	(1)	132292
Rear (Extension) (Non-overdrive)	(1)	88G564
Rear (Overdrive unit)	(1)	7H8325
Snap ring (For centre bearing 104433)	(1)	112654
Circlip (For centre bearing 104433)	(1)	CR620325

1st Speed gear;		
Mk1 & Mk2	(1)	144627
Mk3	(1)	154821
Washer	(1)	137775

Fits between 1st gear & mainshaft centre bearing.

Split collar	(1pr)	137834
--------------	-------	--------

Fits between 1st gear & synchro ring.

Synchro hub (1st & 2nd) (33 teeth)	(1)	156911
Spring (For synchro hub 156911)	(3)	106388
Ball bearing (For synchro hub 156911)	(3)	BLS108
Shim (For synchro hub 156911)	(a/r)	37948

Synchro ring (1st & 2nd gear);		
Mk1 & Mk2	(2)	148409
Mk3	(2)	150328

2nd Speed gear;		
Mk1 & Mk2	(1)	137615
Mk3	(1)	155206

3rd Speed gear;		
Mk1 & Mk2	(1)	132097
Mk3	(1)	UKC4454

DESCRIPTION	QTY REQ.	PART NO.
Synchro hub (3rd & 4th)	(1)	156968
Spring (For synchro hub 156968)	(3)	104445
Ball bearing (For synchro hub 156968)	(3)	BLS108
Shim (For synchro hub 156968)	(a/r)	37948
Synchro ring (3rd & 4th gear);		
Mk1 & Mk2	(2)	148409
Mk3	(2)	150328

DRIVE FLANGE & FITTINGS

NON-Overdrive models

Drive flange		
Mk1 & Mk2	(1)	144690
Mk3	(1)	155755
Nut - Nyloc;		
Mk1 & Mk2	(1)	NH609041
Mk3	(1)	510618A
Washer;		
Mk1 & Mk2	(1)	WL600121
Mk3	(1)	WM74

OVERDRIVE models

Drive flange	(1)	146102
Nut (Drive flange);		
Castle head type	(1)	515817
Clevo-lock type	(1)	NKC81
Washer	(1)	UKC8120
Split pin	(1)	PC12

Countershaft/Reverse Gear & Operating Lever

We have only listed major components in this section. There are many parts we hold in stock that are too numerous to list here, if the item you require is not shown, please contact us.

COUNTERSHAFT & LAYGEAR

Countershaft (Laypin)	(1)	144595
Dowel (Countershaft/laypin)	(1)	DS1908
Tension spring	(3)	137532
Thrust washer (Countershaft - rear)	(1)	106270
Needle rollers (Pack of 50)	(1)	119893
Retaining plate (For needle roller)	(4)	119891
Countershaft/Laygear cluster;		
Mk1 & Mk2	(1)	212993
Mk3	(1)	UKC3196
Thrust washer (Countershaft - front)	(1)	113229

MORE STOCK EVERY DAY

If the part you require is not listed here, please enquire, we can check factory parts listings and stock availability for you.

DESCRIPTION	QTY REQ.	PART NO.
REVERSE GEAR & OPERATING LEVER		
Reverse gear assembly (21 teeth)	(1)	144580
<i>Includes bush 129862.</i>		
Bush (Reverse gear)	(1)	129862
Distance piece (Reverse gear)	(1)	22G1435
Spindle (Reverse gear)	(1)	113071
Bolt (Reverse gear)	(1)	106477
Washer - Spring (For bolt 106477)	(1)	GHF332
Operating lever (Reverse)	(1)	106254
Fulcrum pin (Threaded both ends)	(1)	106448
Nut - Nyloc (For fulcrum pin 106448)	(1)	TN3209

Overdrive & Fittings ('D' type)

We have only listed major components in this section. There are many parts we hold in stock that are too numerous to list here, if the item you require is not shown, please contact us.

OVERDRIVE & SOLENOID

Overdrive units supplied less solenoid, output flange, adaptor plate & speedo drive.
Note: Ensure gearbox is cleaned internally to avoid cross contamination of old oil before fitting overdrive.

Overdrive unit only - 'D' Type;		
All models (Exchange)	(1)	307862R
Solenoid - New	(1)	109521
Solenoid plunger only	(1)	109521PL
Gasket (Solenoid to case)	(1)	7H8196
Speedo Angle drive	(1)	120694

ADAPTOR PLATE - GASKETS & OIL SEAL

Adaptor plate (Overdrive to gearbox)	(1)	305137
Gasket set (Overdrive)	(1)	RG1048
Gaskets;		
Adaptor to gearbox	(1)	106437
Adaptor to overdrive main case	(1)	37H1901
O/drive main case to rear extension	(1)	37H1901
Side plate cover	(1)	506098
Side cover - Solenoid side	(1)	513204
Bearing (Rear extension/output)	(1)	533360A
Oil seal (Rear casing/output)	(1)	7H8325

OUTPUT FLANGE & FITTINGS

Drive flange	(1)	146102
Nut (Drive flange);		
Castle head type	(1)	515817
Clevo-lock type	(1)	NKC81
Washer	(1)	UKC8120
Split pin	(1)	PC12



Propshafts

Propshaft;		
Non-overdrive type-		
New (Outright purchase)	(1)	213150
Recon' (Exchange)	(1)	213150R
Overdrive type-		
New (Outright purchase)	(1)	213151
Recon' (Exchange)	(1)	213151R
Universal joint	(2)	GUJ115
Bolt - Prop flange	(8)	144961A
Nut (For bolt 144961A)	(8)	TN3209

COMPONENT & COMMISSION NUMBERS

Where commission and/or component numbers are quoted in this parts catalogue (to help identify factory specification changes), they refer to components/parts when the vehicle was new and not subsequent replacements.

GEARBOX & OVERDRIVE

PROPSHAFTS

DIFFERENTIAL

DESCRIPTION QTY REQ. PART NO.

Differential

We have only listed major components in this section. There are many parts we hold in stock that are too numerous to list here, if the item you require is not shown, please contact us.

Mk1, MK2 & MK3 (MK3 to KE/KF 200000)

Differential - Reconditioned;

Non-overdrive

(3.27:1) (6 stud case) (1) **518950R**

(3.27:1)* (6 stud case) (1) **518950RN**

*Fitted with New Crownwheel & Pinion.

Overdrive

(3.89:1) (6 stud case) (1) **518946R**

(3.89:1)* (6 stud case) (1) **518946RN**

*Fitted with New Crownwheel & Pinion.

Mk3 only From KE/KF 200001

Differential - Reconditioned;

Non-Overdrive

(3.27:1) (4 stud case) (1) **NKC263R**

(3.27:1)* (4 stud case) (1) **NKC263RN**

*Fitted with New Crownwheel & Pinion.

Overdrive

(3.89:1) (4 stud case) (1) **RTC2305R**

(3.89:1)* (4 stud case) (1) **RTC2305RN**

*Fitted with New Crownwheel & Pinion.

DESCRIPTION QTY REQ. PART NO.

Crownwheel & pinion;

3.89:1 Ratio (*Later units only*) (1) **159801**

3.27:1 Ratio (1) **UKC6733**

Diff carrier (1) **21H5478**

OIL SEALS & GASKET

Oil seals;

Diff pinion front (1) **DAM5079**

Diff pinion side (2) **117952**

Gasket (*Diff housing/casing*) (1) **114749**

Oil filler plug (1) **22G2115**

Unipart EP90 gear oil (0.5 litre) (a/r) **GGL190**

Differential - Oil Capacity

Differential = 1 pint (0.6 litres)

DESCRIPTION QTY REQ. PART NO.

Differential Mountings & Drive Flange

FRONT MOUNTING

Mounting rubber;

Upper;

Standard* (2) **133568**

Poly* (2) **133568P**

Lower;

Standard* (2) **131796**

Poly* (2) **131796P**

Washer - Steel* (2) **WM810**

Nut - Nyloc* (2) **TN3209**

*These items locate to a captive bolt welded into the chassis frame.

Bolt (*Front cross piece to diff*) (4) **132856**

Washer (*For bolt 132856*) (4) **GHF324**

REAR MOUNTING

Mounting bush

Standard (2) **117578**

Poly (2) **117578P**

Bolt (*Diff to chassis*) (1) **136869**

Washer - Plain (*For bolt 136869*) (1) **WA600071**

Nut - Locking (*For bolt 136869*) (1) **GHF224**

TOP (SPRING) MOUNTING

Stud - Leaf spring to diff case;

Mk1 & Mk3 (*Mk3 from KE20001*) (a/r) **131008**

Mk2 (a/r) **151824**

Mk3 (*Mk3 to KE20000*) (a/r) **136818**

KITS...KITS...KITS...
THE EASY WAY TO ORDER AND GET
THE RIGHT PARTS YOU NEED QUICKLY

DRIVE SHAFTS (NON-ROTOFLEX)

DRIVE SHAFT & REAR HUB (NON Rotoflex)

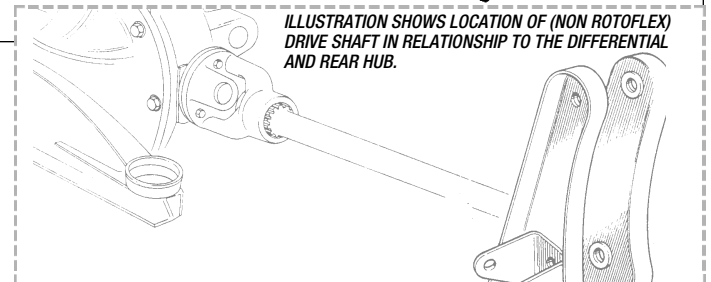
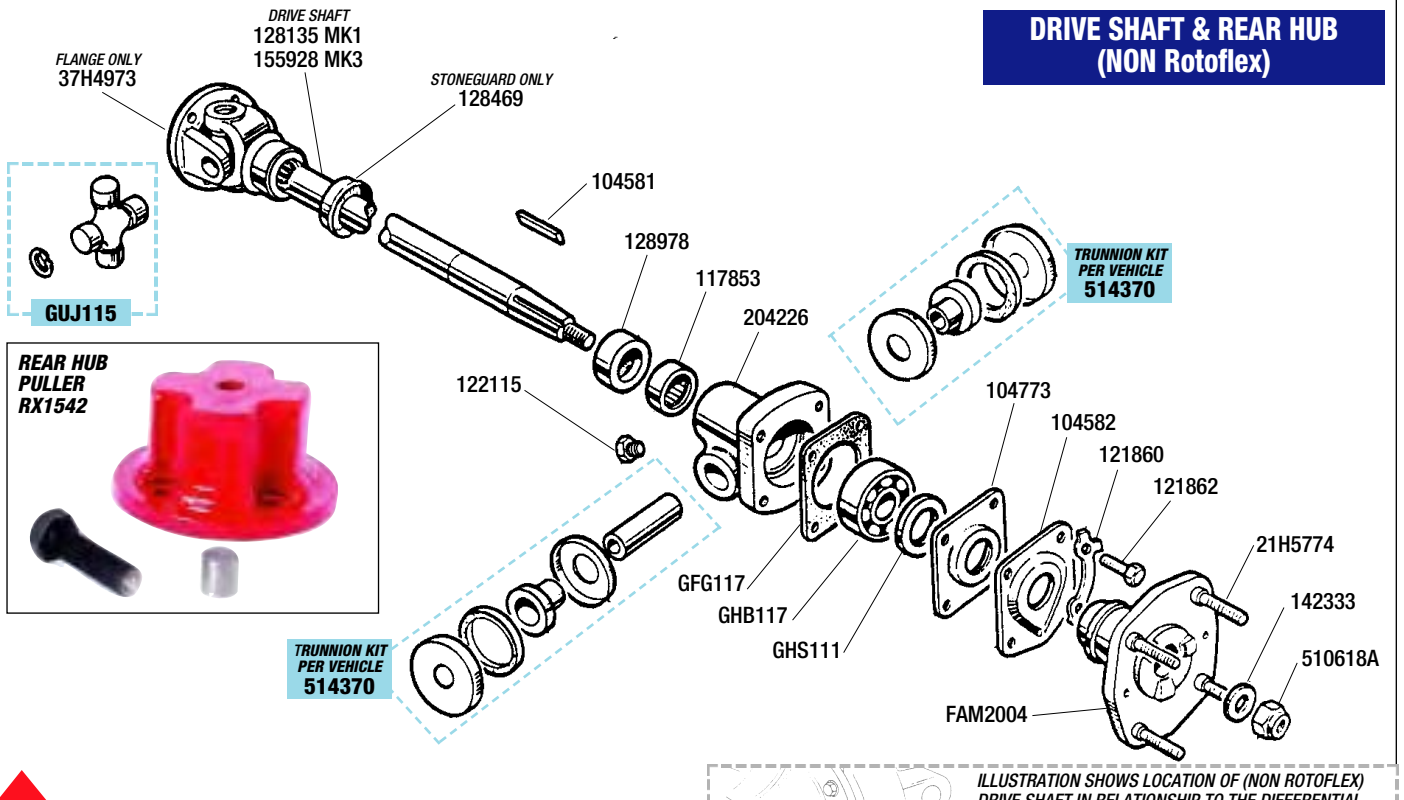


ILLUSTRATION SHOWS LOCATION OF (NON ROTOFLEX) DRIVE SHAFT IN RELATIONSHIP TO THE DIFFERENTIAL AND REAR HUB.

Drive Shaft & Rear Hub

NON-'Rotoflex' system fitted to;
All MK1's to KC50000, and MK3's from
KE/KF20001.

Rear hub puller tool (1) **RX1542**

Drive shaft only;

Includes yoke, but less drive flange.

Mk1 models (Short shaft) (2) **128135**

Mk3 models (Long shaft) (2) **155928**

Drive flange only (2) **37H4973**

Bolt* (*Flange to output shaft*) (8) **132023**

Nut* (*For nut 132023*) (8) **TN3209**

*These 2 items are NOT illustrated.

Universal joint (2) **GUJ115**

Stoneguard/oil flinger (2) **128469**

Woodruff key (*Drive shaft to outer hub*) (2) **104581**

Rear hub bearing kit (*Per hub*) (2) **GHK1022**

*Hub bearing kit includes items marked**

Hub seal - Inner* (2) **128978**

Bearing - Inner hub* (*Needle roller*) (2) **117853**

Hub - Inner (*Bearing housing*) (2) **204226**

Grease nipple (*Not illustrated*) (2) **56935**

Blanking plug (*Alternative to 56935*) (2) **122115**

Trunnion kit (*Per vehicle*) (1) **514370**

Gasket (2) **GFG117**

Hub seal housing 104773 to inner hub

Bearing - Outer hub (2) **GHB117**

Hub seal - Outer (2) **GHS111**

Housing - Outer hub oil seal (2) **104773**

Grease catcher/flinger (2) **104582**

Tab washer (4) **121860**

Bolt - Tab washer (8) **121862**

Drive flange (*Outer*) (2) **FAM2004**

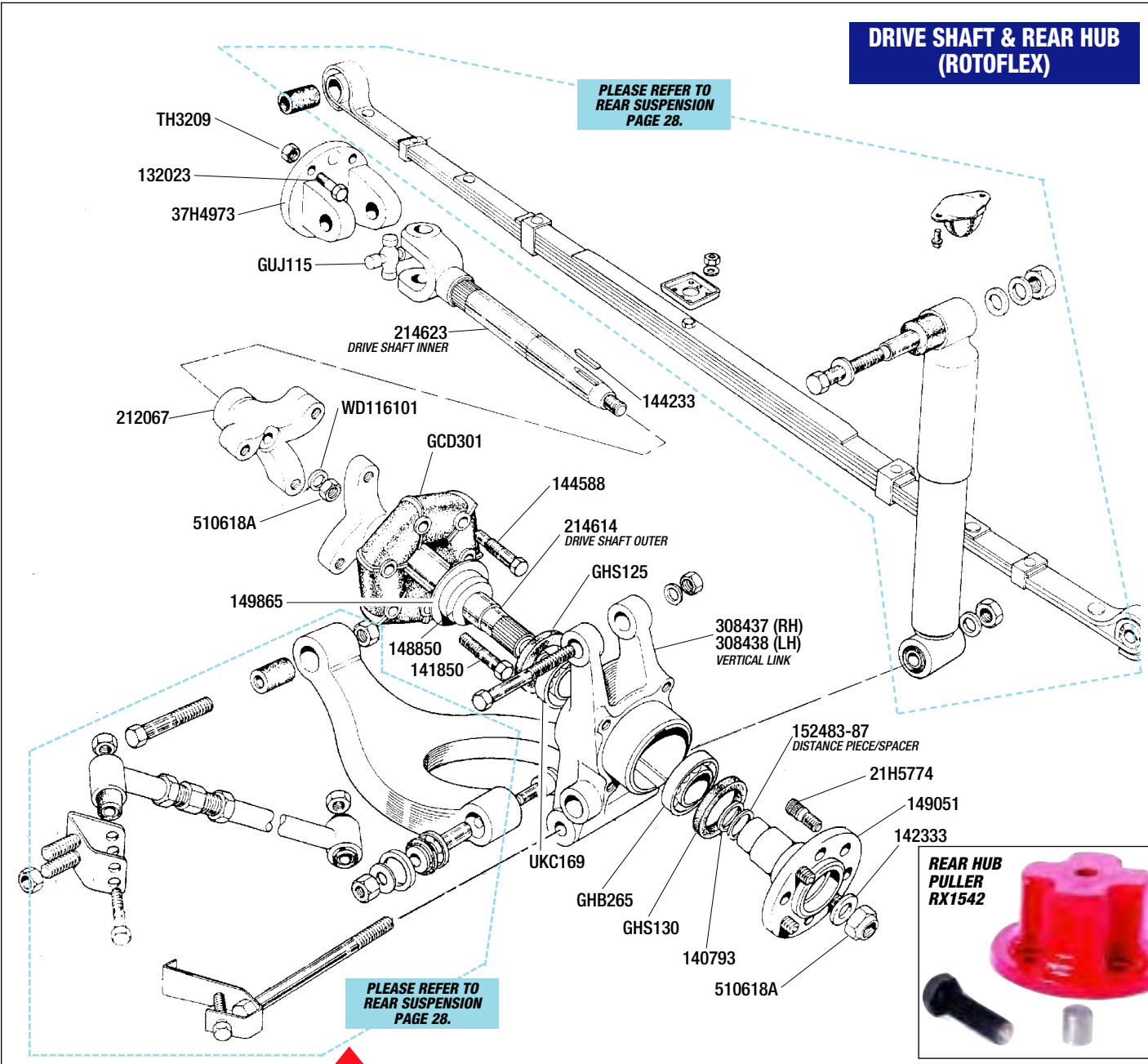
Wheel stud only (8) **21H5774**

Nut (*Drive shaft retaining*) (2) **510618A**

Washer (*For nut 510618A*) (2) **142333**

DRIVE SHAFTS (Rotoflex)

DRIVE SHAFT & REAR HUB (ROTOFLEX)



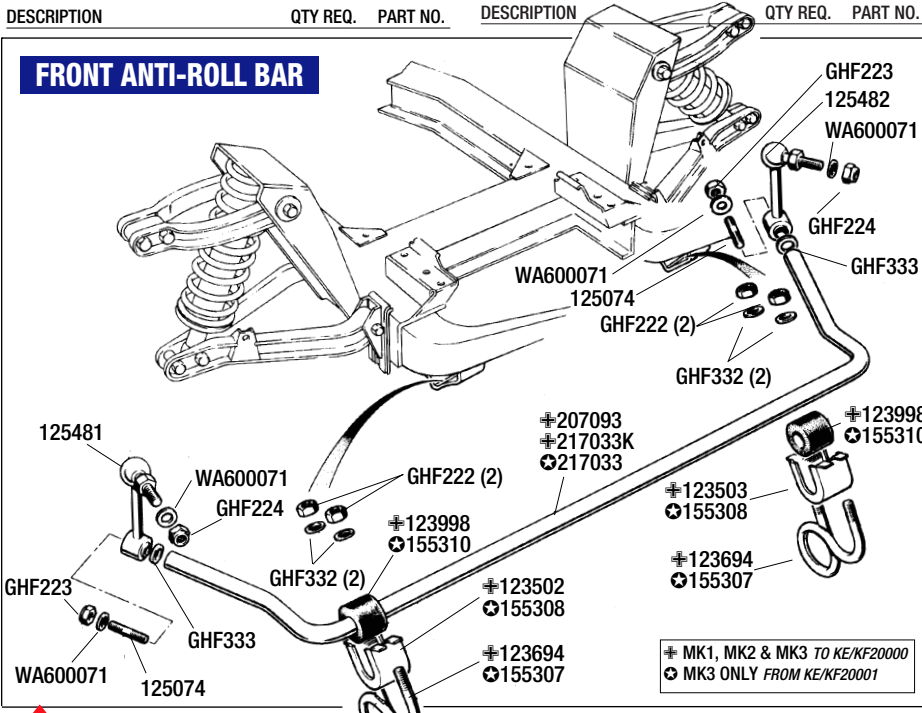
Drive Shaft & Rear Hub

'ROTOFLEX' system fitted to;
All MK2's from KC50001, and MK3's to
KE/KF20000.

Rear hub puller tool	(1)	RX1542
Drive shaft - Inner	(2)	214623
<i>Includes yoke, but less drive flange.</i>		
Drive flange only	(2)	37H4973
Bolt (Flange to output shaft)	(8)	132023
Nut (For nut 132023)	(8)	TN3209
Universal joint	(2)	GUJ115
Woodruff key	(2)	144233
<i>Drive shaft to coupling 212067.</i>		
Drive coupling - Inner	(2)	212067
Nut (Flange to inner drive shaft)	(2)	510618A
Washer (For nut 510618A)	(2)	WD116101
Drive shaft - outer	(2)	214614
Spacer*	(2)	148850
Stoneguard/oil flinger*	(2)	149865
<i>*Items included with drive shaft 214614.</i>		
Rotoflex coupling;		
Original	(2)	GCD301
Replacement	(2)	GCD301P
Bolt kit - Rotoflex coupling	(2)	RG1053
<i>Per coupling, includes 3 long and 3 short bolts.</i>		
Bolt (Rotoflex coupling);		
Long (Coupling to drive flange 212067)	(6)	144588
Short (Coupling to outer drive shaft 216614)	(6)	141850

Rear hub bearing kit (Per hub) <i>Hub bearing kit includes items marked*</i>	(2)	GHK1528	Shim (0.003")	(a/r)	140793
Hub seal - Inner*	(2)	GHS125	Distance piece/spacer;	(a/r)	152483
Bearing - Inner* hub	(2)	UKC169	0.139"	(a/r)	152484
Vertical link;			0.141"	(a/r)	152485
<i>Right hand</i>	(1)	308437	0.143"	(a/r)	152486
<i>Left hand</i>	(1)	308438	0.148"	(a/r)	152487
Tab washer* (Not Illustrated)	(4)	149426	0.155"	(a/r)	152487
Bolt - Tab washer* (Not Illustrated)	(8)	SH606071	Outer hub assembly	(2)	149051
<i>*Locates brake backplate to vertical link.</i>			<i>Complete with wheel studs.</i>		
Bearing - Outer* hub	(2)	GHB265	Wheel stud only	(8)	21H5774
Hub seal - Outer*	(2)	GHS130	Nut (Drive shaft retaining)	(2)	510618A
			Washer (For nut 510618A)	(2)	142333

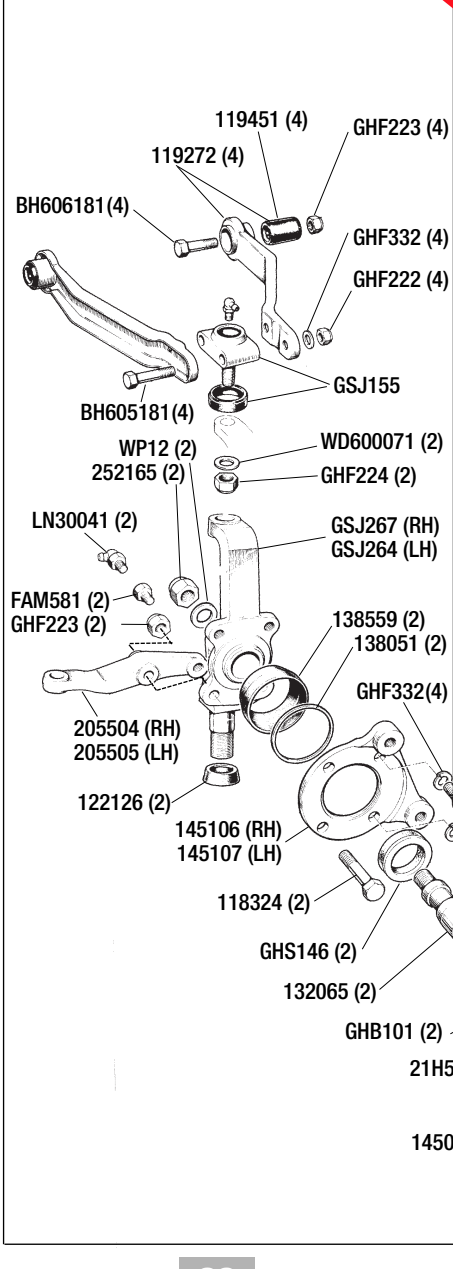




Front Anti-Roll Bar

- MK1, MK2 & MK3 (MK3 to KE/KF20000)**
- Anti-roll bar (1) **207093**
 - Anti-roll bar conversion kit (1) **217033K**
The original anti-roll bar (207093) is no longer available. This conversion kit allows the later type bar to be fitted to early cars and includes; Anti-roll bar (217033), 2 bushes (155310), 2 clamps (155308), 2 'U' bolts (155307), nuts and washers.
 - Overhaul kit (Anti-roll bar)
 - with standard bushes (1) **RH5064**
 - with poly bushes (1) **RH5064P***For original (early) spec' anti-roll bar 207093.
Per car; Includes 2 links 125481/125482, 2 nuts GHF224, 2 studs 125074, 2 nuts GHF223, 2 bushes 123998, 2 clamps 123502, 2 'U' bolts 123694, 4 nuts GHF222 and all washers.*
 - Bush - Roll bar mounting (For 207093)
 - Standard (2) **123998**
 - Poly (2) **123998PS**
 - Clamp (Bush retainer) (For 207093) (2) **123502**
 - 'U' bolt (For 207093) (2) **123694**
 - Nut (For 'U' bolt 123694) (4) **GHF222**
 - Washer (For 'U' bolt 123694) (4) **GHF332**
- MK3 from KE/KF20001**
- Anti-roll bar (1) **217033**
 - Overhaul kit (Anti-roll bar)
 - with standard bushes (1) **RL1286**
 - with poly bushes (1) **RL1286PS***Per car; Includes 2 links 125481/125482, 2 nuts GHF224, 2 studs 125074, 2 nuts GHF223, 2 bushes 155310, 2 clamps 155308, 2 'U' bolts 155307, 4 nuts GHF222 and all washers.*
 - Bush - Roll bar mounting
 - Standard (2) **155310**
 - Poly (2) **155310PS**
 - Clamp (Bush retainer) (2) **155308**
 - 'U' bolt (2) **155307**
 - Nut (For 'U' bolt 155306) (4) **GHF222**
 - Washer (For 'U' bolt 155306) (4) **GHF332**
- ALL MODELS**
- Link - Anti-roll bar;
 - Right hand (1) **125481**
 - Left hand (1) **125482**
 - Nut (Link mounting to suspension) (2) **GHF224**
 - Washer (For nut GHF224) (2) **WA600071**
 - Stud (Link to roll bar) (2) **125074**
 - Washer (For stud 125074) (2) **GHF333**
 - Washer (For stud 125074) (2) **WA600071**
 - Nut (For stud 125074) (2) **GHF223**

FRONT HUB & UPPER WISHBONE



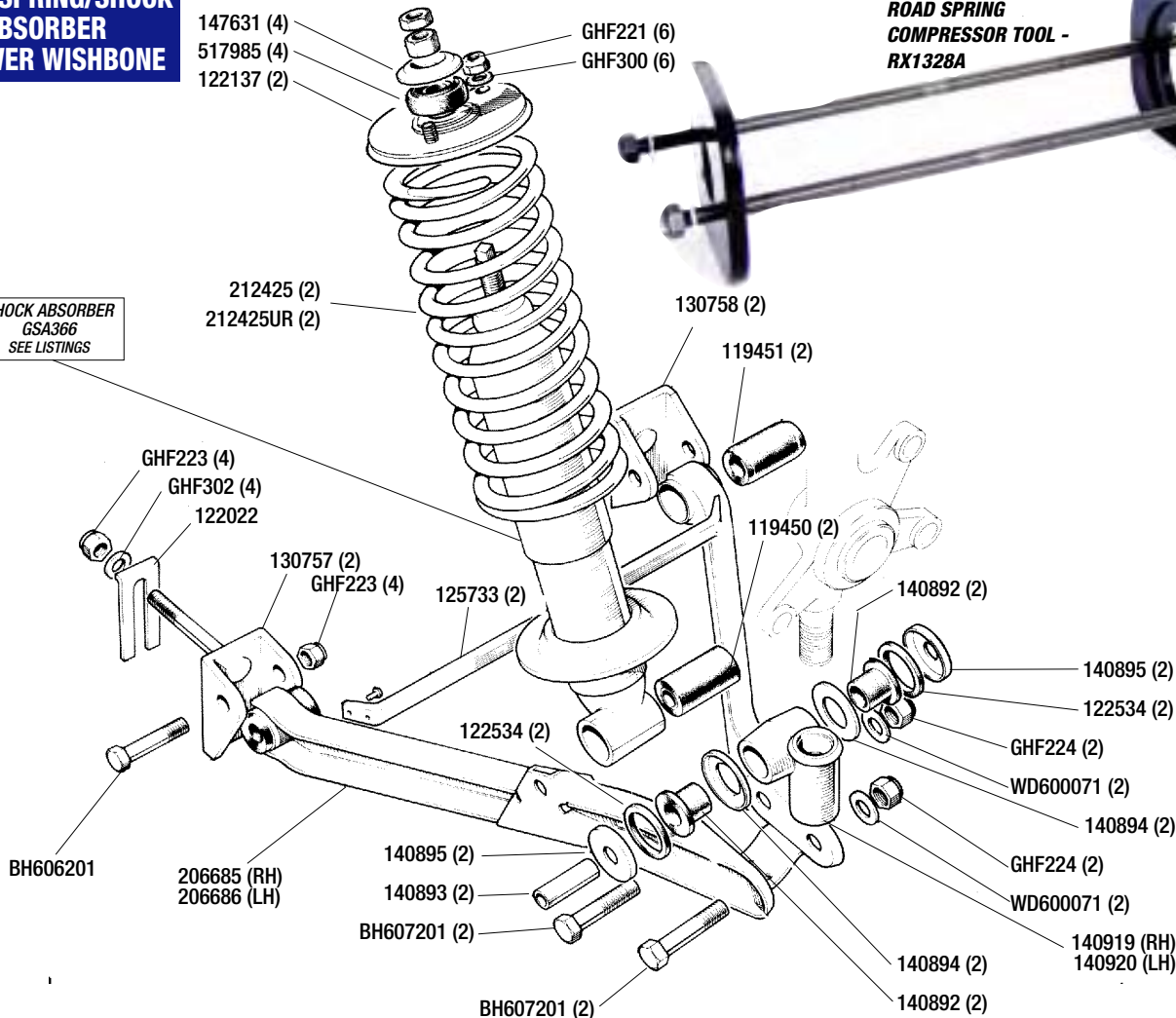
Front Hub & Upper Wishbones

- Top wishbone & bush (4) **119272**
- Bush only
 - Standard (4) **119451**
 - Poly (4) **119451P**
- Upper suspension overhaul kit
 - with standard bushes (2) **RH5080**
 - with poly bushes (2) **RH5080P***Per side & includes; 1 ball joint GSJ155, 2 bolts BH605181, 2 nuts GHF222, 2 washers GHF332, 1 nut GHF224, 1 washer WD600071, 2 bushes 119451, 2 bolts BH606181 & 2 nuts GHF223.*
- Bolt - Wishbone inner (4) **BH606181**
- Nut - Nyloc (For bolt BH606181) (4) **GHF223**
- Ball joint (2) **GSJ155**
- Nut - Nyloc (Ball joint to link) (2) **GHF224**
- Washer - Locking (For nut GHF224) (2) **WD600071**
- Bolt (Ball joint to wishbone) (4) **BH605181**
- Nut (For bolt BH605181) (4) **GHF222**
- Washer (For bolt BH605181) (4) **GHF332**
- Vertical link;
 - Right hand (1) **GSJ267**
 - Left hand (1) **GSJ264**
- Grease nipple (Vertical link) (2) **LN30041**
- Grease plug (Alternative to LN30041) (2) **FAM581**
- Seal (For lower trunion) (2) **122126**
See; Front Spring/Damper & Lower Arm for Trunnions & fittings.
- Steering arm;
 - Right hand (1) **205504**
 - Left hand (1) **205505**
- Water shield (2) **138559**
- Seal (Caliper mounting plate to link) (2) **138051**
- Caliper mounting plate;
 - Right hand (1) **145106**
 - Left hand (1) **145107**
- Bolt - Front lower* (2) **118324**
- Nut - Nyloc (For bolt 118324) (2) **GHF223**
- Bolt - Rear lower* (2) **SH606101**
- Washer - Spring (For bolt SH606101) (2) **GHF333**
**Caliper mounting plate (lower) & tie rod to vertical link.*
- Bolt - Upper** (4) **GHF120**
- Washer - Spring** (For bolt GHF120) (2) **GHF333**
***Caliper mounting plate (upper) to vertical link.*
- Stub axle (2) **132065**
- Nut (Stub axle to vertical link) (2) **252165**
- Washer (For nut 252165) (2) **WP12**
- Front hub bearing kit (2) **GHK1011**
Per side & includes; 1 of each bearing GHB101 & GHB102 & 1 seal GHS146.
- Hub seal (2) **GHS146**
- Hub bearing - Inner (2) **GHB101**
- Hub assembly
 - Standard (2) **145007**
 - Alloy (2) **145007A**
- Wheel stud only (4) **21H5774**
- Hub bearing - Outer (2) **GHB102**
- 'D' Washer (2) **132666**
- Nut - Castle headed (2) **LN2211**
- Split pin (2) **PC20**
- Grease cap/cover (2) **132665**

FRONT SPRING/SHOCK ABSORBER & LOWER WISHBONE

ROAD SPRING COMPRESSOR TOOL - RX1328A

SHOCK ABSORBER GSA366 SEE LISTINGS



Front Spring - Shock Absorber & Lower Wishbone

See also: 'Suspension - Uprated Packages'.

Front shock absorber (Inc standard bushes);		
Standard (Supplied in singles)	(2)	GSA366
Spax adjustable (Supplied in pairs);		
Ride adjustable	(1pr)	GSA366S
Ride/height adjustable	(1pr)	GSA366SA
Koni adjustable (Supplied in pairs)		
Ride adjustable	(1pr)	GSA366K
Gaz adjustable (Supplied in pairs);		
Ride adjustable	(1pr)	GSA366G
Ride/height adjustable	(1pr)	GSA366GA
Bush only (Shock absorber lower)		
Standard	(2)	119450
Poly	(2)	119450P
Bolt (Shock absorber lower to wishbone)	(2)	BH607201
Nut (For bolt BH607201)	(2)	GHF224
Washer (For bolt BH607201)	(2)	WD600071
Front road spring;		
Standard	(2)	212425
Uprated	(2)	212425UR
Spring compression tool (See photo)	(1)	RX1328A
Bush (Shock absorber - upper)		
Standard	(4)	517985
Poly	(4)	517985P
Retainer - Bush	(4)	147631
Spring seat/Top plate	(2)	122137
Nut (Spring seat retaining)	(6)	GHF221
Washer (For nut GHF221)	(6)	GHF300

Lower wishbone & bush;		
Right hand	(1)	206685
Left hand	(1)	206686
Lower inner suspension overhaul kit		
<i>(Not illustrated) Kit is per side & includes 2 bushes 119451, 2 bolts BH606201 & 2 nuts GHF223.</i>		
with standard bushes	(2)	RG1193
with poly bushes	(2)	RG1193P
Bush only		
Standard	(4)	119451
Poly	(4)	119451P
Strut (Wishbone bracing)	(2)	125733
Bolt (Rear mounting bracket/wishbone)	(4)	BH606201
Nut - Nyloc (For bolt BH606201)	(4)	GHF223
Mounting bracket (Wishbone);		
Front	(2)	130757
Rear	(2)	130758
Shim (Adjusting) (Use as required)	(a/r)	122022
Nut (To mounting bracket)	(4)	GHF223
Washer (For nut GHF223)	(4)	GHF302
Trunnion bush kit (Per side)	(2)	514191
<i>Not illustrated</i>		
<i>Includes 1 spacer 140983, 2 bushes 140892, 2 inner shields 140894, 2 seals 122534, & 2 outer shields 140895.</i>		
Trunnion overhaul kit (Per side) (Not illustrated);		
<i>Includes either 1 Rh, or 1 Lh trunnion, PLUS:</i>		
<i>1 bolt 119142, 1 nut GHF224, 1 washer WD600071, 1 seal 122126 & 1 bush kit 514191.</i>		
Right hand	(1)	RG1190
Left hand	(1)	RG1191
Trunnion overhaul kit (Per car)	(1)	RG1192
<i>(Not illustrated) Includes 1 of each of the following kits: RG1190 (Rh) & 1 RG1191 (Lh).</i>		

Lower trunnion;		
Right hand	(1)	140919
Left hand	(1)	140920
Seal (For lower trunnion) (Not shown)	(2)	122126
Bolt (Trunnion to wishbone)	(2)	BH607201
Nut (For bolt 119142)	(2)	GHF224
Washer (For nut GHF224)	(2)	WD600071
Tube/spacer* (For trunnion)	(2)	140893
Shield - Outer* (For trunnion)	(4)	140895
Seal* (For trunnion)	(4)	122534
Bearing (Nylon)* (For trunnion)	(4)	140892
Shield - Inner* (For trunnion)	(4)	140894
<i>*Items marked are part of trunnion bush kit 514191.</i>		

POLYURETHANE BUSHES

Polyurethane bushes out-perform standard rubber bushes (without the jarring effect typical of nylon versions).



IF YOU REALLY WANT TO IMPROVE THE HANDLING, THEN POLYURETHANE BUSHES ARE A GOOD START, THEY ALSO HAVE A MUCH LONGER LIFE. REFER TO LISTINGS THROUGHOUT THIS CATALOGUE FOR FULL AVAILABILITY.

FRONT SUSPENSION

Give Your Front Suspension a Lift

with one of our money saving suspension

OVERHAUL KITS

WHETHER YOU REQUIRE SUSPENSION PARTS FOR A MINOR REPAIR, OR YOU ARE PROPOSING A MAJOR FRONT SUSPENSION/HUB OVERHAUL/REBUILD, HERE WE HAVE A SELECTION OF KITS THAT WILL ENABLE YOU TO IDENTIFY AND ORDER THE PRECISE AND CORRECT PARTS YOU NEED WITH THE MINIMUM OF FUSS - **AND SAVE MONEY!**

UPPER SUSPENSION Overhaul Kit

with Standard Bushes
RH5080
2 kits required per Vehicle

with Polyurethane Bushes
RH5080P
2 kits required per Vehicle

One kit contains the following parts:

- | | |
|--|----------|
| 1 Ball Joint | GSJ155 |
| 1 Nut (for ball joint) | GHF224 |
| 1 Washer (for ball joint) | WD600071 |
| 2 Bushes (Wishbone) | 119451 |
| <small>Standard or Polyurethane depending on which kit is ordered.</small> | |
| 2 Bolts (Wishbone rear) | BH606181 |
| 2 Nuts (for bolt BH606181) | GHF223 |
| 2 Bolts (Wishbone front) | BH605181 |
| 2 Nuts (for bolt BH605181) | GHF222 |
| 2 Washer (for bolt BH605181) | GHF332 |

LOWER (INNER) SUSPENSION Overhaul Kit

with Standard Bushes
RG1193
2 kits required per Vehicle

with Polyurethane Bushes
RG1193P
2 kits required per Vehicle

One kit contains the following parts:

- | | |
|--|----------|
| 2 Bushes (Wishbone) | 119451 |
| <small>Standard or Polyurethane depending on which kit is ordered.</small> | |
| 2 Bolts (Wishbone rear) | BH606201 |
| 2 Nuts (for bolt BH606181) | GHF223 |

POLYURETHANE BUSHES

Polyurethane bushes out-perform standard rubber bushes (without the jarring effect typical of nylon versions).



IF YOU REALLY WANT TO IMPROVE THE HANDLING, THEN POLYURETHANE BUSHES ARE A GOOD START, THEY ALSO HAVE A MUCH LONGER LIFE. REFER TO LISTINGS THROUGHOUT THIS CATALOGUE FOR FULL AVAILABILITY.

FRONT ANTI-ROLL BAR Overhaul Kit

Mk1, Mk2 & Mk3 (to KE/KF 20000)
Note: for original spec anti roll bar only, not suitable where conversion kit to later bar has been retro-fitted.

with Standard Bushes
RH5064
1 kit required per Vehicle

with Polyurethane Bushes
RH5064P
1 kit required per Vehicle

Mk3 (from KE/KF 20001)

with Standard Bushes
RL1286
1 kit required per Vehicle

with Polyurethane Bushes
RL1286P
1 kit required per Vehicle

These kits contain the following parts:

- | | |
|---|----------|
| 1 Link (Rh) | 125481 |
| 1 Link (Lh) | 125482 |
| 2 Nyloc nuts (for links) | GHF224 |
| 2 Washer (for nuts GHF224) | WA600071 |
| 2 Bushes (Mounting - inc. in RH5064) | *123998 |
| 2 Bushes (Mounting - inc. in RL1286) | *155310 |
| <small>*Standard or Polyurethane depending on which kit is ordered.</small> | |
| 2 Clamps (for bushes - inc. in RH5064) | 123502 |
| 2 Clamps (for bushes - inc. in RL1286) | 155308 |
| 2 'U' Bolts (for clamps 123502) | 123694 |
| 2 'U' Bolts (for clamps 155308) | 155307 |
| 4 Nyloc nuts (for 'U' bolts 155307) | GHF222 |
| 4 Washer (for nuts GHF222) | GHF332 |
| 2 Studs (Link to bar) | 125074 |
| 2 Nuts (for studs 125074) | GHF223 |
| 2 Washer (for nuts GHF223) | WA600071 |
| 2 Washer (for studs 125074) | GHF333 |

FRONT WHEEL BEARING KIT **GHK1011**

2 kits required per Vehicle

One kit contains the following parts:

- | | |
|-----------------|--------|
| 1 Inner bearing | GHB101 |
| 1 Outer bearing | GHB102 |
| 1 Hub oil seal | GHS146 |

Don't forget to check these other parts for wear;
'D' Washer (132666), Split pin (PC20), Nut (LN2211).

COMPLETE TRUNNION Overhaul Kit

RG1192
1 kit required per Vehicle

This kit contains the following parts:

- | | |
|--|--------|
| 1 'Right hand' overhaul kit | RG1190 |
| <small>This kit also contains 1 bush kit 514191.</small> | |
| 1 'Left hand' overhaul kit | RG1191 |
| <small>This kit also contains 1 bush kit 514191.</small> | |

TRUNNION BUSH KIT

514191
2 kits required per Vehicle

One kit contains the following parts:

- | | |
|-----------------|--------|
| 1 Spacer | 140893 |
| 2 Bushes | 140892 |
| 2 Inner shields | 140894 |
| 2 Seals | 122534 |
| 2 Outer shields | 140894 |

TRUNNION OVERHAUL KIT

Right Hand

RG1190
1 kit required per Vehicle

This kit contains the following parts:

- | | |
|-----------------------|----------|
| 1 Right hand trunnion | 140919 |
| 1 Bolt | 119142 |
| 1 Nut | GHF224 |
| 1 Washer | WD600071 |
| 1 Seal | 122126 |
| 1 Bush kit | 514191 |

TRUNNION OVERHAUL KIT

Left Hand

RG1191
1 kit required per Vehicle

This kit contains the following parts:

- | | |
|----------------------|----------|
| 1 Left hand trunnion | 140920 |
| 1 Bolt | 119142 |
| 1 Nut | GHF224 |
| 1 Washer | WD600071 |
| 1 Seal | 122126 |
| 1 Bush kit | 514191 |

SAFETY FIRST

In this section we listed the parts which we believe to be most prone to deterioration. However, it is not a finite list.

It is extremely **important** when working on the suspension that you check & verify the condition of all related parts & components, and replace as a matter of course if suspect.

UPRATED SHOCK ABSORBER PACKAGES



Spax Ride adjustable suspension kit;
Packs include 4 adjustable shock absorbers with standard bushes.

- Mk2 & early Mk3 (Rotoflex) (1) **RG1184**
- Mk1 & late Mk3 (Non Rotoflex) (1) **RL1358**



Spax Ride/height adjustable suspension kit;
Packs include 2 front ride/height adjustable shock absorbers and 2 rear adjustable shock absorbers, all with standard bushes.

- Mk2 & early Mk3 (Rotoflex) (1) **RG1184SA**
- Mk1 & late Mk3 (Non Rotoflex) (1) **RL1358SA**



Koni Ride adjustable suspension kit;
Packs include 4 adjustable shock absorbers with standard bushes.

- Mk2 & early Mk3 (Rotoflex) (1) **RG1185**
- Mk1 & late Mk3 (Non Rotoflex) (1) **RL1359**



Gaz Ride adjustable suspension kit;
Packs include 4 adjustable shock absorbers with standard bushes.

- Mk2 & early Mk3 (Rotoflex) (1) **RG1184G**
- Mk1 & late Mk3 (Non Rotoflex) (1) **RL1358G**

Gaz Ride/height adjustable suspension kit;
Packs include 2 front ride/height adjustable shock absorbers & 2 rear adjustable shock absorbers, all with standard bushes.

- Mk2 & early Mk3 (Rotoflex) (1) **RG1184SAG**
- Mk1 & late Mk3 (Non Rotoflex) (1) **RL1358SAG**

UPRATED SHOCK ABSORBER & FRONT SPRING PACKAGES



Spax Ride adjustable suspension kit;
Packs include 2 uprated front springs, 4 adjustable shock absorbers with standard bushes.

- Mk2 & early Mk3 (Rotoflex) (1) **RG1186**
- Mk1 & late Mk3 (Non Rotoflex) (1) **RG1188**



Koni Ride adjustable suspension kit;
Packs include 2 uprated front springs, 4 adjustable shock absorbers with standard bushes.

- Mk2 & early Mk3 (Rotoflex) (1) **RG1187**
- Mk1 & late Mk3 (Non Rotoflex) (1) **RG1189**



Spax Ride/height adjustable suspension kit;
Packs include 2 uprated front springs, 2 front ride/height adjustable shock absorbers and 2 rear adjustable shock absorbers, all with standard bushes.

- Mk2 & early Mk3 (Rotoflex) (1) **RG1186SA**
- Mk1 & late Mk3 (Non Rotoflex) (1) **RG1188SA**



GAZ Ride adjustable suspension kit;
Packs include 2 uprated front springs, 4 adjustable shock absorbers with standard bushes.

- Mk2 & early Mk3 (Rotoflex) (1) **RG1186G**
- Mk1 & late Mk3 (Non Rotoflex) (1) **RG1188G**

GAZ Ride/height adjustable suspension kit;
Packs include 2 uprated front springs, 2 front ride/height adjustable shock absorbers and 2 rear adjustable shock absorbers, all with standard bushes.

- Mk2 & early Mk3 (Rotoflex) (1) **RG1186SAG**
- Mk1 & late Mk3 (Non Rotoflex) (1) **RG1188SAG**

TECH SPEC



ADJUSTABLE (ON CAR)

28 point adjustment, dyno tested. Handbuilt, matching units. Also available with adjustable spring seat (front). Designed and developed by Motorsports Engineers. 2 year warranty.



ADJUSTABLE (OFF CAR)

Specifically designed for each application. Individually tested until optimum in handling and comfort is reached. Will usually outlive your car.



ADJUSTABLE (ON CAR)

36 point fine tune settings. Zinc plated bodies. Double lip seal + O' ring on piston rod. Fully rebuildable. Top quality. Also available with adjustable spring seat (front). Each unit tested and supplied with individual dyno read-out. 3 year warranty. British made.

REAR SHOCK ABSORBER CONVERSION BRACKETS Rotoflex

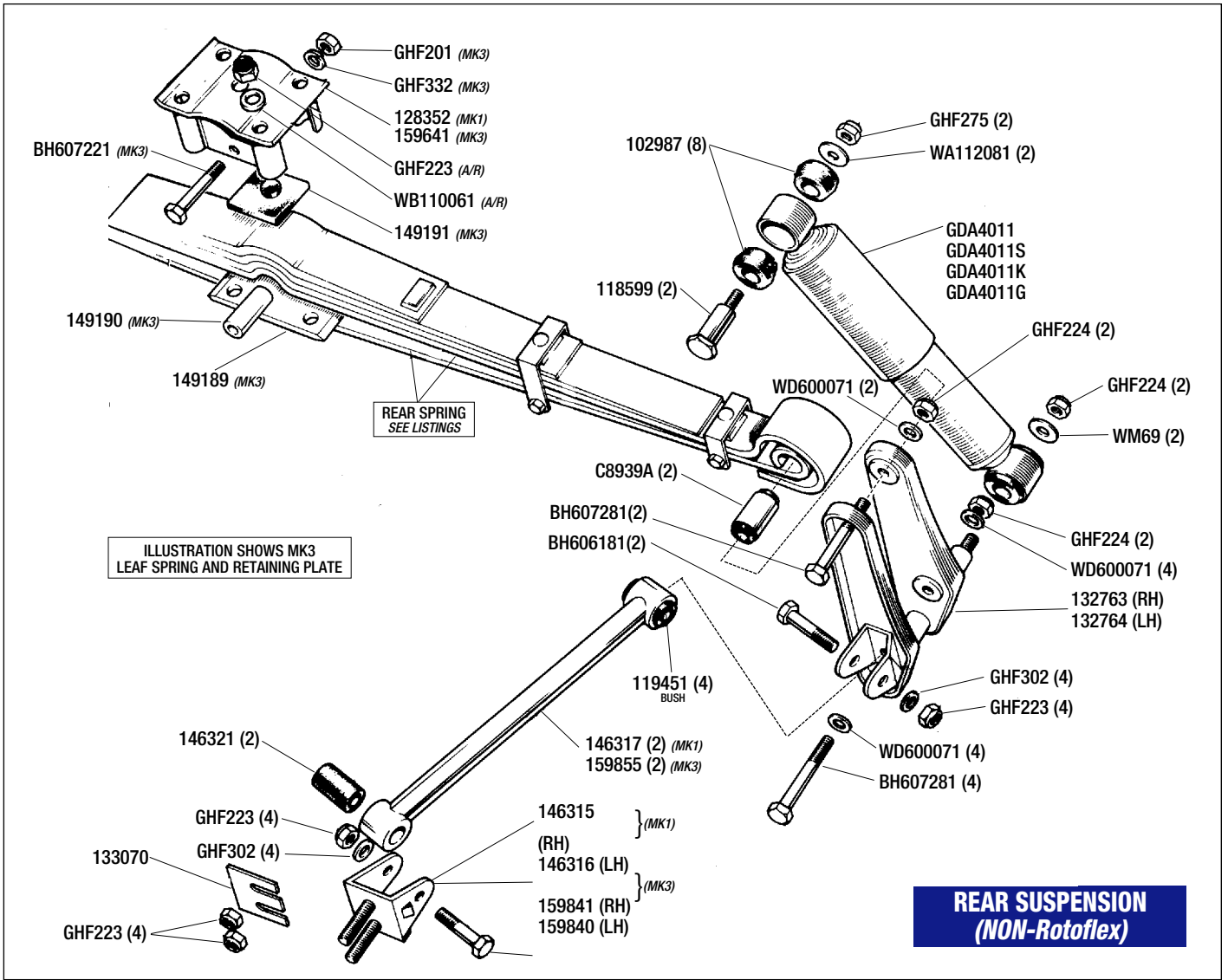
The bracket kit allows the top shock absorber mountings to be located onto the brackets which are in turn mounted directly onto the chassis. This offers a more positive location (directs stress loading away from wheel arches & on to chassis) and improves handling. The brackets are designed to be used with shock absorber GDA4011 which is available in either standard or a variety of uprated specifications.



- Bracket kit only (Rotoflex) (1) **RG1305**
 - Bracket kit & rear shocks (pr) (1) **RG1306**
- Rotoflex models only.
Available with Standard, Spax, Koni or Gaz shock absorbers.

SUSPENSION - UPRATED PACKAGES

REAR SUSPENSION (Non-Rotoflex)



Rear Suspension

NON-'Rotoflex' system fitted to;
All MK1's to KC 50000 and
Mk3's from KE/KF20001.

ROAD SPRING & FITTINGS

Rear spring (Complete with bushes)		
Mk1 ('Swing' spring conversion kit) Converts to later swing spring. Includes spring, box section & fittings.	(1)	RG1278
Mk3 ('Swing' spring)	(1)	159640
Bush only (Rear spring)		
Standard	(2)	C8939A
Poly	(2)	C8939AP
Bolt - Rear spring locating Located through top of vertical link.	(2)	BH607281
Nut (For bolt BH607281)	(2)	GHF224
Washer (For bolt BH607281)	(2)	WD600071
Retaining plate - Spring;		
Mk1 (6 stud mounting)	(1)	128352
Mk3 (4 stud mounting)	(1)	159641
Pad (Fitted to Mk3 only)	(1)	149191
Stud - Leaf spring to diff case Stud 131008 not shown, refer to Rear Axle, for illustration.	(a/r)	131008
Nut (For stud 131008)	(a/r)	GHF223
Washer (For stud 131008)	(a/r)	WB110061
Plate/clamp+ (Lower leaf)	(1)	149189
Tube/spacer+	(2)	149190
Bolt+ (For spacer 149190)	(1)	BH607201
Nut+ (For bolt BH607201)	(1)	GHF201
Washer+ (For bolt BH607201) +Fitted to Mk3 models only.	(1)	GHF332

SHOCK ABSORBER & FITTINGS

See also; 'Suspension-Updated Packages'.

Rear shock absorber (inc. bushes)		
Standard (Supplied in singles)	(2)	GDA4011
Spax adjustable (Supplied in pairs)	(1pr)	GDA4011S
Koni adjustable (Supplied in pairs)	(1pr)	GDA4011K
GAZ adjustable (Supplied in pairs)	(1pr)	GDA4011G
Bushes only (Upper & lower)		
Standard	(8)	102987
Poly	(8)	102987P
Bolt (Shock absorber mounting - Upper)	(2)	118599
Nut (For bolt 118599)	(2)	GHF275
Washer (For bolt 118599)	(2)	WA112081
Nut (Shock absorber mounting - Lower)	(2)	GHF224
Washer (For nut GHF224)	(2)	WM69

VERTICAL LINK - RADIUS ARM & PIVOT BRACKET

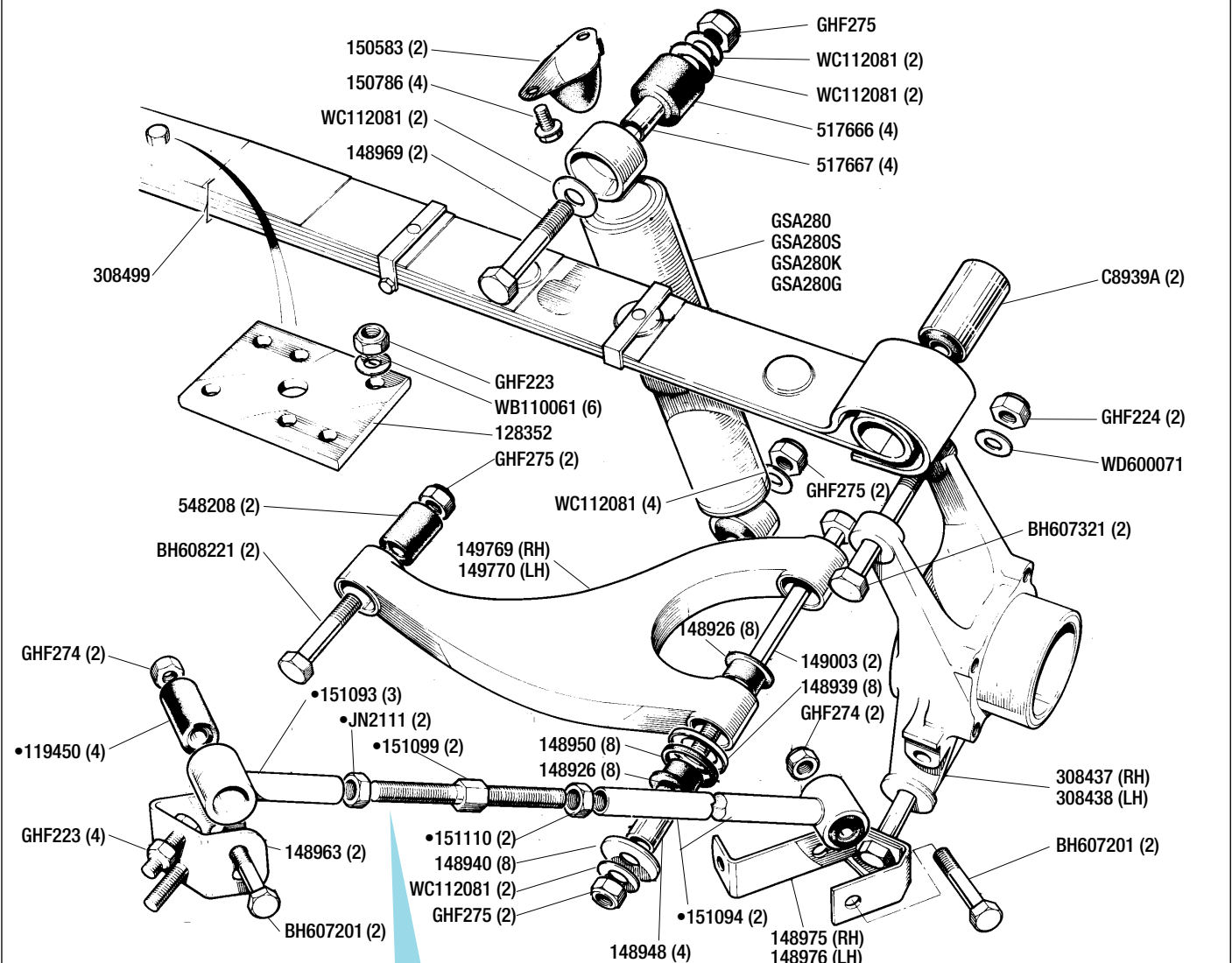
Rear vertical link;		
Right hand	(1)	132763
Left hand	(1)	132764
Bolt (Vertical link to rear inner hub)	(2)	BH607281
Nut (For bolt BH607281)	(2)	GHF224
Washer (For bolt BH607281)	(4)	WD600071
Radius arm;		
Mk1	(2)	146317
Mk3	(2)	159855
Bush - Radius arm;		
Rear (Radius arm to vertical link)		
Standard	(2)	119451
Poly	(2)	119451P
Front (Radius arm to pivot bracket)		
Standard	(2)	146321
Poly	(2)	146321P
Bolt (Radius arm to vertical link)	(2)	BH606181
Nut (For bolt BH606181)	(4)	GHF223
Washer (For bolt BH606181)	(4)	GHF302
Bolt (Radius arm to bracket)	(2)	BH606201
Nut (For bolt BH606201)	(4)	GHF223
Washer (For bolt BH606201)	(4)	GHF302
Rear pivot bracket;		
Mk1 -		
Right hand	(1)	146315
Left hand	(1)	146316
Mk3 -		
Right hand	(1)	159841
Left hand	(1)	159840
Setscrew - Pivot bracket (Mk1 only) Not illustrated	(4)	SH606141
Shim - Adjusting	(a/r)	133070
Nut (Pivot bracket to body)	(4)	GHF223

POLYURETHANE BUSHES

Polyurethane bushes out-perform standard rubber bushes (without the jarring effect typical of nylon versions).

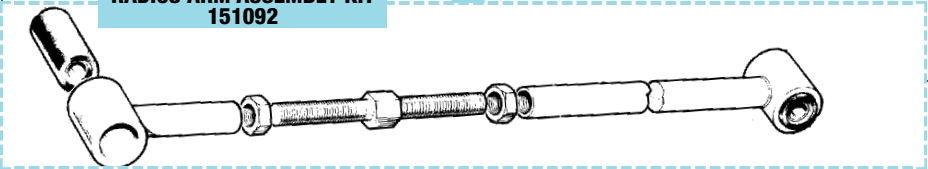
IF YOU REALLY WANT TO IMPROVE THE HANDLING, THEN POLYURETHANE BUSHES ARE A GOOD START, THEY ALSO HAVE A MUCH LONGER LIFE. REFER TO LISTINGS THROUGHOUT THIS CATALOGUE FOR FULL AVAILABILITY.

REAR SUSPENSION (Rotoflex)



RADIUS ARM ASSEMBLY KIT 151092

REAR SUSPENSION (ROTOFLEX)



Rear Suspension

'ROTOFLEX' system fitted to; all MK2's from KC 50001 and MK3's to KE/KF20000.

ROAD SPRING & FITTINGS

Rear spring (Complete with bushes)	(1)	308499
Bush only (Rear spring)		
Standard	(2)	C8939A
Poly	(2)	C8939AP
Bolt - Rear spring locating <i>Located through top of vertical link.</i>	(2)	BH607321
Nut (For bolt BH607321)	(2)	GHF224
Washer (For bolt BH607321)	(2)	WD600071
Retaining plate - Spring <i>6 stud mounting.</i>	(1)	128352
Stud - Leaf spring to diff case;		
Mk2	(6)	151824
Mk3 (Mk3 to KE20000) <i>Studs not shown, refer to Rear Axle, for illustration.</i>	(6)	136818
Nut (For leaf spring studs to diff)	(6)	GHF223
Washer (For leaf spring studs to diff)	(6)	WB110061

SHOCK ABSORBER & FITTINGS

See also; 'Suspension-Updated Packages' page 26, & 'Rear Shock Absorber Conversion Brackets' page 26.

Rear shock absorber (Inc bushes);		
Standard (Supplied in singles)	(2)	GSA280
Spax adjustable (Supplied in pairs)	(1pr)	GSA280S
Koni adjustable (Supplied in pairs)	(1pr)	GSA280K
GAZ adjustable (Supplied in pairs)	(1pr)	GSA280G

Bush only (inc. sleeve) (Upper & lower)		
Standard	(4)	517666
Poly (inc. sleeve)	(4)	517666P
Sleeve (Upper & lower bush)	(4)	517667
Bolt (Shock absorber mounting - Upper)	(2)	148969
Washer (For bolt 148969)	(6)	WC112081
Nut (For bolt 148969)	(2)	GHF275
Bump stop	(2)	150583
Screw (Bump stop to body)	(4)	150786

VERTICAL LINK & LOWER WISHBONE

Rear vertical link;		
Right hand	(1)	308437
Left hand	(1)	308438
Lower wishbone;		
Right hand	(1)	149769
Left hand	(1)	149770
Bush (Inner mounting)		
Standard	(2)	548208
Poly	(2)	548208P
Bolt (Inner mounting)	(2)	BH608221
Nut (For bolt BH608221)	(2)	GHF275

Overhaul kit - Inner wishbone		
Standard bush	(2)	RG1113
Poly bush	(2)	RG1113P

Per side.
Not illustrated. Includes; 1 bolt 149003, 4 bushes 148926, 2 spacer/tube 148948, 4 water shield 148939, 4 dirt seal 148950, 4 water shield 148940, 1 washer WC112081, 1 bush 548208, 1 bolt BH608221 & 2 nut GHF275.

Bolt - Wishbone to vertical link	(2)	149003
Bush	(8)	148926

Tube/spacer	(4)	148948
Water shield	(8)	148939
Seal (Dirt)	(8)	148950
Water shield	(8)	148940
Washer (Plain)	(2)	WC112081
Nut - Nyloc	(2)	GHF275

RADIUS ARM & PIVOT BRACKET

Bracket/bolt;
To radius arm & lower shock absorber mounting, locates through vertical link.

Right hand	(1)	148975
Left hand	(1)	148976
Nut (Lower shock absorber mounting)	(2)	GHF275
Washer (For nut GHF275)	(4)	WC112081
Bolt (Bracket to radius arm)	(2)	BH607201
Nut (For bolt BH607201)	(2)	GHF274
Radius arm assembly - Adjustable <i>Supplied in self assembly kit form per side.</i> <i>Includes parts listed here and in drawing. Marked* Items are available separately.</i>	(2)	151092
Radius eye - Rear*	(2)	151094
Adjuster - Radius arm*	(2)	151099
<i>Supplied complete with locking nuts.</i>		
Lock nut -		
Right hand thread*	(2)	JN2111
Left hand thread*	(2)	151110
Radius eye - Front*	(2)	151093
Bush (Radius eyes)*		
Standard	(4)	119450
Poly	(4)	119450P
Pivot bracket	(2)	148963
Bolt (Pivot bracket to radius arm)	(2)	BH607201
Nut (For bolt BH607201)	(2)	GHF274
Nut (Pivot bracket to body)	(4)	GHF223

DESCRIPTION QTY REQ. PART NO.

Steel Road Wheels - Standard

Road wheel - Steel;		
Mk1 & Mk2 (Reconditioned)	(5)	307405R
Mk3 (Reconditioned)	(5)	312046R
Wheel trim/hub cap (Mk1 & Mk2);		
Wheel trim (Mk1)	(4)	811419
Hub cap	(4)	122806
'Rostyle' Wheel trim (Mk2)	(4)	811797
<i>Optional factory fitment for Mk2 GT6.</i>		

NOW AVAILABLE

CHROME WHEEL TRIM CENTRE - 716181



Wheel centre trim/badge (Mk3 only);		
Centre trim (<i>Less badge</i>) -		
'GT6' (Chrome) <i>see photo</i>	(4)	716181
'Triumph' (Silver)	(4)	YKC1335
Badge only -		
'GT6'	(4)	624632
'Triumph'	(4)	YKC1334
Spring (<i>For centre trim</i>)	(16)	628097

CHROME WHEEL TRIM SET - RL1360



Chrome wheel trim (<i>Car set</i>)	(1)	RL1360
Chrome wheel trim (<i>Singles</i>)	(4)	GLZ225
Wheel nut - Standard;		
Mk1 & Mk2	(16)	113087
Mk3 (Chrome)	(16)	21H6210
Mk3 (Stainless steel)	(16)	21H6210SS
Washer (Mk3 only) (<i>For wheel nut</i>)	(16)	155753
Wheel nut set (Mk3 only);		
Chrome (<i>16 nuts</i>)	(1)	RL1357
Stainless steel (<i>16 nuts</i>)	(1)	RL1357SS
Locking (<i>4 nuts</i>)	(1)	RL1271
Wheel stud	(16)	21H5774
Wheel wax (<i>225g</i>) (<i>Cleans and protects</i>)	(A/R)	RX1262
Alloy wheel seal (<i>Autoglym, 450ml</i>)	(A/R)	RX1443
<i>Silicone seal - spray.</i>		

Mudflaps

Mudflaps (<i>See 'Accessories' for photo</i>);		
Front (<i>Inc fittings</i>)	(1pr)	GAC630F
Rear (<i>Inc fittings</i>)	(1pr)	GAC630R

Roadside Tools & Equipment

'AA' membership & relay pack	(1)	RX1329
'Warning' triangle	(1)	RX1344
Safety jacket (Luminous)	(1)	GAC2999
Scissor jack & handle	(1)	311346
Tool bag (<i>For jack etc</i>)	(1)	RX1364
Wheel nut brace	(1)	21A2818
Tyre pump (<i>Stirrup type</i>)	(1)	523638A
Spark plug spanner	(1)	GAT140
Fire extinguisher	(1)	GAC9904
First aid kit	(1)	RX1399
WD40 (<i>Large - 400ml</i>)	(a/r)	GAC111
Holts Radweld (<i>252ml</i>)	(a/r)	RX1508

DESCRIPTION QTY REQ. PART NO. DESCRIPTION QTY REQ. PART NO. DESCRIPTION QTY REQ. PART NO.

ALLOY ROAD WHEELS



Alloy Road Wheels

MINILITE REPLICA WHEELS

These superb (lightweight) aluminium replicas of the original magnesium Minilite (used for rallying), are available - in silver only - at an extremely attractive price, and they make a very interesting alternative to steel and wire wheels. These bolt-on 5Jx13" and 5.5Jx13" wheels are a direct replacement with the corresponding wheel nuts.

Minilite 'Replica' wheel set		
<i>Includes 4 wheels, 4 centres and 16 wheel nuts.</i>		
5Jx13"	(1)	RL1473
5.5Jx13"	(1)	RL14735.5
Wheel only		
5Jx13"	(4)	RL1470
5.5Jx13"	(4)	RL14705.5
Wheel centre only;		
plain	(4)	RL1472
with Triumph badge	(4)	RL1472B
Wheel nut only	(16)	RL1471

WIRE WHEELS



Wire Wheels

CONVERSION KIT

Look at our prices, our wheel sets include 5 wheels!

If you prefer your GT6 to look that little bit different, why not consider fitting a set of our wire wheels, available in chrome, or painted silver.

Note: when fitting wire wheels, check length of wheel studs (and shorten if necessary) to ensure they do not foul the backs of wheels.

Wire wheel conversion kit - 4.5Jx13";
Kits inc; 5 wheels, 4 splines, 4 two-eared centre knock caps*, 1 cleaning brush, 1 hammer and instructions.

Chrome wheels	(1)	RL1221/4.5
Painted wheels	(1)	RL1201/4.5

*Both wheel kits available with alternative octagonal centre lock nuts.
Note: 'Eared' centre caps not allowed in certain countries. Please state preference when ordering.

Wire wheel conversion kit - 5.5Jx13";
This kit gives you the option to fit wider section tyres to 'fill the arches'. Care should be taken in selecting the correct tyre width to avoid any clearance problems.
Kit includes; 5 wheels, 4 splines, 4 two-eared centre knock caps*, 1 cleaning brush, 1 hammer and instructions.

Chrome wheels	(1)	RL1221/5.5
---------------	-----	------------

*Kit available with alternative octagonal centre lock nuts.
Note: 'Eared' centre caps not allowed in certain countries. Please state preference when ordering.

REPLACEMENT WIRE WHEEL COMPONENTS

Wire wheel only;		
4.5Jx13" - Chrome	(5)	XW466C
4.5Jx13" - Painted	(5)	XW466S
5.5Jx13" - Chrome	(5)	XW5729C
Hub adaptor/spline (<i>Bolt-on</i>);		
Right hand	(2)	RSSPR
Left hand	(2)	RSSPL
Retainer nuts (<i>Hub adaptor to spline</i>)	(16)	RSRN38

'Eared' centre knock cap;
NOTE: 'Eared' centre caps not allowed in some countries.

2-Eared		
Right hand	(2)	KC4282R
Left hand	(2)	KC4282L
3-Eared		
Right hand	(2)	KC4282R3
Left hand	(2)	KC4282L3

'Octagonal' centre lock nut;		
<i>Alternative to 'Eared' centre caps.</i>		
Right hand	(2)	KC4280R
Left hand	(2)	KC4280L
Cleaning brush	(1)	KACB101
Copper & hide hammer	(1)	KACH100
Spanner (<i>For 'Octagonal' centre nuts</i>)	(1)	KAS42

OPTIONAL OCTAGONAL CENTRE KNOCK CAP & SPANNER. 3-EARED KNOCK CAPS ALSO AVAILABLE.



Front Brakes

DISCS & FITTINGS (All models)

Brake disc		
Standard (each)	(2)	213227
Uprated (pair)	(1)	213227UR
Bolt (Disc to hub)	(8)	113150
Washer - Spring (For bolt 113150)	(8)	GHF333
Dust shield (Backplate);		
Right hand	(1)	213232
Left hand	(1)	213233

BRAKE PADS & FITTINGS

BRAKE PAD SETS;

Mk1, Mk2, & Mk3 Early (To KC56077, KE12389, KF12390)
Imperial calipers.

Brake pads (standard)		
Pads only	(1)	GBP132
Pads & fittings	(1)	RG1063
Brake pads (uprated - Kevlar 'Green Stuff')		
Pads only	(1)	GBP132GS
Pads & fittings	(1)	RG1063UR

Mk3 Late (KE12390 & KF12391 onwards)

Metric calipers.

Brake pads (standard)		
Pads only	(1)	GBP216
Pads & fittings	(1)	RG1064
Brake pads (uprated - Kevlar 'Green Stuff')		
Pads only	(1)	GBP216GS
Pads & fittings	(1)	RG1064UR

SHIMS, PINS & CLIPS;

Mk1, Mk2, & Mk3 Early (To KC56077, KE12389, KF12390)

Shim (each)	(4)	27H2953
Pin (1/4") & clip kit (4 pins & 4 clips)	(1)	GBK1003

Mk3 Late (KE12390 & KF12391 onwards)

Shim kit (4 shims)	(1)	GBK1019
Pin (3/16") & clip kit (4 pins & 4 clips)	(1)	GBK1002

BRAKE KITS (Front)

Mk1, Mk2, & Mk3 Early (To KC56077, KE12389, KF12390)

Imperial calipers.

Disc & pad set (2 discs & 4 pads)		
Standard discs & pads	(1)	RG1059
Uprated discs & pads	(1)	RG1059UR

Mk3 Late (KE12390 & KF12391 onwards)

Metric calipers.

Disc & pad set (2 discs & 4 pads)		
Standard discs & pads	(1)	RG1060
Uprated discs & pads	(1)	RG1060UR

FRONT & REAR BRAKE KIT - STANDARD.
ALSO AVAILABLE WITH UPDATED DISCS & PADS
- SEE 'BRAKE KITS' FOR LISTINGS.



UPDATED DISCS & PADS.

EBC TURBO GROOVE

DISCS & 'GREEN STUFF'

KEVLAR PADS. HANDED DISCS (RH/LH)

WITH CURVED GROOVES & DIMPLES OFFER

SUPERB STOPPING POWER WHEN COMBINED WITH PADS. SEE 'BRAKE KITS' FOR LISTINGS.

NOTE: GT6 BRAKE CALIPERS

Depending upon the model/year, the brake calipers have different drillings/position for the caliper mounting bolts, and the pistons/seals vary in size. Different pads/shims are also fitted, and the calipers have either metric or imperial threads for the hydraulic fittings.

Please check carefully the type of calipers fitted.

Check your chassis number against our listings, then the caliper type fitted to your car. It is possible that the calipers could have been replaced (with non-original spec) by a previous owner. If you are in any doubt, please phone with as much information as possible, vehicle details, caliper type, etc.

BRAKE KITS (Front & Rear)

Mk1, Mk2, & Mk3 Early (To KC56077, KE12389, KF12390)

Imperial calipers.

Discs, pads & shoes (car set)		
Standard discs, pads & shoes	(1)	RG1289
Uprated discs, pads & standard shoes	(1)	RG1289UR

Mk3 (from KE12390 & KF12391 to KE/KF20000)

Metric calipers.

Discs, pads & shoes (car set)		
Standard discs, pads & shoes	(1)	RG1290
Uprated discs, pads & standard shoes	(1)	RG1290UR

Mk3 (KE/KF20001 onwards)

Metric calipers. (Non Roto driveshaft).

Discs, pads & shoes (car set)		
Standard discs, pads & shoes	(1)	RG1291
Uprated discs, pads & standard shoes	(1)	RG1291UR

CALIPERS & FITTINGS

(Type 16P - IMPERIAL)

Mk1 & Mk2 (Early) (To KC56077)

Caliper (see note above);

Right hand	(1)	307976
Left hand	(1)	307977
Piston - Caliper		
Standard	(4)	510792
Stainless Steel	(4)	510792SS
Repair kit (For 2 calipers)	(1)	601960
Bleed screw	(2)	556508A
Dust cap/cover	(2)	STC1913
Mounting bolt (Caliper)	(4)	132439
Washer - Spring (For caliper bolt)	(4)	GHF335

CALIPERS & FITTINGS (Type 16PB - IMPERIAL)

Mk2 Late & Mk3 Early (From KC56078 to KE12389/KF12390)

Caliper (see note above);

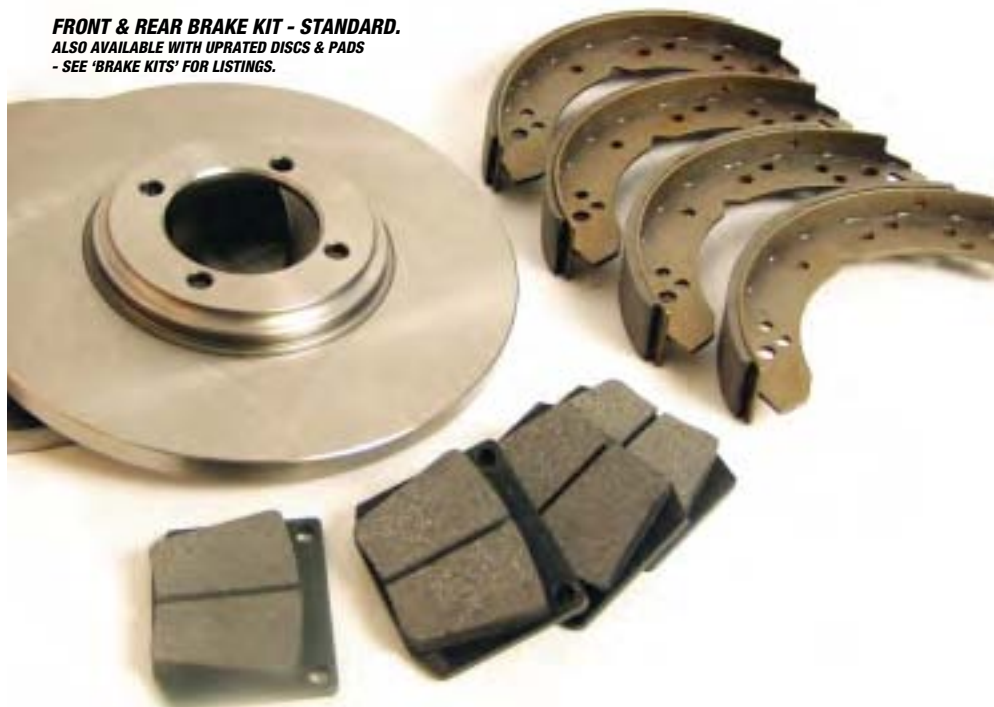
Right hand	(1)	311852
Left hand	(1)	311851
Piston - Caliper		
Standard	(4)	157685
Stainless Steel	(4)	157685SS
Repair kit (For 2 calipers)	(1)	519731
Bleed screw	(2)	556508A
Dust cap/cover	(2)	STC1913
Mounting bolt (Caliper)	(4)	132439
Washer - Spring (For caliper bolt)	(4)	GHF335

CALIPERS & FITTINGS (Type 16PB - METRIC)

Mk3 Late (From KE12390 & KF12391)

Caliper (see note above);

Right hand	(1)	159027
Left hand	(1)	159026
Piston - Caliper		
Standard	(4)	157685
Stainless Steel	(4)	157685SS
Repair kit (For 2 calipers)	(1)	519731
Bleed screw	(2)	556508A
Dust cap/cover	(2)	STC1913
Mounting bolt (Caliper)	(4)	132439
Washer - Spring (For caliper bolt)	(4)	GHF335



DESCRIPTION QTY REQ. PART NO.

Rear Brakes

Mk1, Mk2, & Mk3 Early. Mk3 To KE/KF20000.

Early NON-Rotoflex & Early ROTOFLEX

Driveshafts

1.25" Rear brake shoes - MANUALLY ADJUSTED

Brake shoe set (Per car)	(1)	GBS750
Brake drum	(2)	203077
Screw (Drum retaining)	(4)	V5435
Brake back plate;		
Mk1 -		
Right hand (NON-Rotoflex system)	(1)	209260
Left hand (NON-Rotoflex system)	(1)	209259
Mk2 & Mk3 -		
Right hand (ROTOFLEX system)	(1)	214817
Left hand (ROTOFLEX system)	(1)	214818
Tab washer*	(4)	121860
Bolt - Tab washer*	(8)	121862
*Mk1 Only NON-Rotoflex system; Locates brake backplate & oil seal housing to inner hub 204226.		
Tab washer**	(4)	149426
Bolt - Tab washer**	(8)	SH606071
**Mk2 & Mk3 ROTOFLEX system; Locates brake backplate to vertical link 132763/4.		
Brake shoe retaining kit	(1)	RG1197
Per car; Includes 4 pins, 4 springs & 4 cup washers.		
Pin (Brake shoe retaining)	(4)	120124
Spring (Brake shoe retaining)	(4)	504877
Cup washer (Brake shoe retaining)	(4)	17H4374
Springs (Brake shoe pull off);		
Upper spring (Double coil)	(2)	105689
Lower spring (Single coil)	(2)	105690
Adjuster assembly	(2)	519762
Nut (Adjuster to backplate)	(4)	GHF200
Washer (For nut GHF200)	(4)	GHF321
Wheel cylinder;		
Mk1 -		
To KC7278 (3/4" bore)	(2)	GWC1208
From KC7279 (5/8" bore)	(2)	GWC1202
Mk2 (All models) (5/8" bore)	(2)	GWC1202
Mk3 (To KE/KF20000) (11/16" bore)	(2)	GWC1110
Wheel cylinder repair kit (Per car);		
Mk1 -		
To KC7278 (3/4" bore)	(2)	507865
From KC7279 (5/8" bore)	(2)	18G9004
Mk2 (All models) (5/8" bore)	(1)	18G9004
Mk3 (To KE/KF20000) (11/16" bore)	(1)	18G8642
Retaining plate (Cylinder to back plate)	(2)	120138
Spring (For 120138)	(2)	519758
Dust cover - backplate (Wheel cylinder)	(2)	120139
Bleed screw	(2)	556508A
Operating lever (Handbrake) (Rh & Lh)	(2)	123135
Split pin (Lever to cylinder)	(2)	PC34

DESCRIPTION QTY REQ. PART NO.

Rear Brakes

Mk3 Late (KE/KF20001 onwards)

Late NON-Rotoflex Driveshafts

1.5" Rear brake shoes - SELF ADJUSTING

Brake shoe set (Per car)	(1)	GBS746
Brake drum;		
New	(2)	GDB101
Reconditioned	(2)	GDB101R
Screw (Drum retaining)	(4)	V5435
Brake back plate;		
Right hand (NON-Rotoflex)	(1)	209260
Left hand (NON-Rotoflex)	(1)	209259
Tab washer*	(4)	149426
Bolt - Tab washer*	(8)	SH606071
*Locates brake backplate to vertical link 132763/4.		
Brake shoe retaining kit	(1)	RG1197
Per car; Includes 4 pins, 4 springs & 8 cup washers.		
Pin (Brake shoe retaining)	(4)	120124
Spring (Brake shoe retaining)	(4)	504877
Cup washer (Brake shoe retaining)	(8)	17H4374
Springs (Brake shoe pull off);		
Upper (Double coil)	(2)	519802
Lower (Single coil)	(2)	519801
'H' tappet (Locates in trailing brake shoe)	(2)	519760
Wheel cylinder;		
Original type (7/8" bore)	(2)	GWC1501
Replacement (Fit in pairs) (0.7" bore)	(2)	GWC1121
Wheel cylinder repair kit (Per car);		
Original type (GWC1501) (7/8" bore)	(1)	UKC1261
Replacement (GWC1121) (0.7" bore)	(1)	UKC1258
Retaining plate (Cylinder to back plate)	(2)	120138
Spring (For 120138)	(2)	519758
Dust cover - backplate (Wheel cylinder)	(2)	519695
Bleed screw	(2)	556508A
Operating lever (Handbrake);		
Right hand	(1)	519800
Left hand	(1)	519799
Split pin (Lever to cylinder)	(2)	PC34

Brake Pedal & Fittings

Brake light switch	(1)	134529
Spring - Pedal return	(1)	114438
Rubber boot/cover (Master cylinder)	(1)	125217
Pedal rubbers (Clutch/brake)		
Mk1 & Mk2	(2)	122289
Mk3	(2)	150881

DESCRIPTION QTY REQ. PART NO.

Brake Master Cylinder

SINGLE LINE SYSTEM

Brake master cylinder;		
All vehicles to KE/KF20000	(1)	GMC209
Mk3 from KE/KF20001	(1)	GMC219
Master cylinder repair kit;		
All vehicles to KE/KF20000	(1)	521154
0.7" bore.		
Mk3 from KE/KF20001	(1)	GRK1077
0.75" bore.		
Clevis pin - Push rod	(1)	PJ8808
Filler cap	(1)	RTC253A
Seal - Filler cap	(1)	606404A
Clutch/brake fluid;		
Unipart (DOT 3) (1 litre)	(a/r)	GBF103
Silicone (0.5 litre)	(a/r)	RX1327
Silicone (1.0 litre)	(a/r)	RX1326

TANDEM (DUAL) LINE SYSTEM

Note; Tandem brakes factory fitted to special order only.

Brake master cylinder;		
All vehicles to KE/KF20000	(1)	213690
Mk3 from KE/KF20001	(1)	218947
Master cylinder repair kit;		
All vehicles to KE/KF20000	(1)	517662
Mk3 from KE/KF20001	(1)	RTC274
Reservoir & cap	(1)	517333
Clutch/brake fluid;		
Unipart (DOT 3) (1 litre)	(a/r)	GBF103
Silicone (0.5 litre)	(a/r)	RX1327
Silicone (1.0 litre)	(a/r)	RX1326



Brake Servo

IMPORTANT NOTE:

Original Girling servo's part no. 313095, (fitted to late Mk3's only) are no longer available.

The Lockheed (universal, remote mounted) brake servo kit that we list here (RH5272) is not a direct replacement for the original Girling servo, but can be used if the entire kit is fitted.

Brake servo kit (Lockheed/universal)	(1)	RH5272
See Important Note above		
This universal, remotely mounted servo comes complete with brackets and fittings.		
It can be retro* fitted to any GT6 (Mk1, Mk2 & Mk3), but NOT as a direct replacement for the factory fitted Girling servo.		

Service/repair kit (Girling)	(1)	RTC488
Use only for original Girling type servo part no. 313095.		
Vacuum hose - Manifold to servo	(1)	159230
For original Girling type servo only.		

COMPONENT & COMMISSION NUMBERS

Where commission and/or component numbers are quoted in this parts catalogue (to help identify factory specification changes), they refer to components/parts when the vehicle was new and not subsequent replacements.





FOR FIRMER BRAKE PEDAL PRESSURE, STAINLESS STEEL BRAIDED HOSES. CAR SET RG1292GR. ALSO AVAILABLE SINGULARLY.

Brake Pipes & Hoses

BRAKE HOSES

Front flexible hose;		
Standard	(2)	GBH203
Goodridge (Braided)	(2)	GBH203GR
Rear flexible hose;		
Standard		
Right hand	(1)	GBH203
Left hand	(1)	GBH204
Goodridge (Braided)		
Right hand	(1)	GBH203GR
Left hand	(1)	GBH204GR
Goodridge Brake Hose Set	(1)	RG1292GR

Car set inc, 4 braided hoses, see photo.

BRAKE PIPE KITS

Copper brake pipe kit (Single line system);
Car set; includes all brake pipes fully made up to correct length with imperial fittings, but not hoses.

Mk1 (NON-Rotoflex) -		
RHD	(1)	RG1194
LHD	(1)	RG1194LHD
Mk2 & Mk3 (ROTOFLEX) -		
RHD	(1)	RG1067
LHD	(1)	RG1067LHD
Mk3 (NON-Rotoflex)		
RHD	(1)	RG1068
LHD	(1)	RG1068LHD

Copper brake pipe kit (Tandem/Dual line system);
Car set; includes all brake pipes fully made up to correct length with imperial fittings, but not hoses.

Mk3 (NON-Rotoflex) -		
RHD	(1)	RL1220
LHD	(1)	RL1220LHD
Junction/manifold - Brake pipe;		
3 way connector	(1)	BTB657
4 way connector	(1)	565719
Clip - Brake pipe;		
Plastic clip (Single)	(a/r)	GHF1192
Plastic clip (Double)	(a/r)	625521A



Handbrake & Cable

HANDBRAKE & FITTINGS

<i>Ratchet type handbrake.</i>		
Handbrake lever assembly	(1)	UKC6691
Gaiter (Handbrake lever)	(1)	705789
Grip (Lever)	(1)	UKC3918
Spring (Fits on release rod/button)	(1)	104740
Pawl	(1)	104737
Pin (Pawl to lever)	(1)	104738
Ratchet	(1)	148083
Fulcrum pin	(1)	104743
<i>Lever & ratchet to mounting bracket.</i>		
Circlip (Fulcrum pin locating)	(1)	AS610032
Washer (Circlip to fulcrum pin)	(1)	WA112081

HANDBRAKE CABLE & FITTINGS

Front cable (Short)	(1)	121766
<i>Cable runs from handbrake lever to compensator lever UKC1788.</i>		
Rear (Main) Cable;		
<i>Cable runs from compensator to rear brakes.</i>		
Mk1 (NON-Rotoflex)	(1)	133915
Mk2 & Mk3 (ROTOFLEX)	(1)	149353
Mk3 (NON-Rotoflex)	(1)	159848

FRONT CABLE FITTINGS

Nut - Adjusting (Cable to fork)	(1)	GHF200
Fork (Front cable to handbrake lever)	(1)	104749
Nut - Square (Locates inside fork)	(1)	NQ2707
Clevis pin (Fork to handbrake lever)	(1)	104750
Split pin (Clevis pin retaining)	(1)	PC5
Washer (Split pin to lever/fork)	(1)	GHF300
Relay/equaliser lever (Inc bush)	(1)	UKC1788
Bush only (For lever UKC1788)	(1)	121757
Seal;		
Upper (Felt) (For bush 121757)	(1)	121760
Lower (Rubber) (For bush 121757)	(1)	121755
Pivot pin (Relay lever to body)	(1)	121759
Tab washer (For pivot pin 121759)	(1)	121758

REAR CABLE FITTINGS

Compensator (Main cable to equaliser UKC1788)	(1)	121699
Clevis pin (Compensator to equaliser)	(1)	PJ8807
Split pin (For clevis pin PJ8807)	(1)	PC10
Washer (For clevis pin PJ8807)	(1)	GHF301
Pull-Off spring (Handbrake)	(2)	131806
'L' bracket (Pull-off spring anchor)	(2)	131807
Nut (For bracket 131807 - 2 per bracket)	(4)	GHF200
Fork (Cable to operating lever)	(2)	104749
Nut - Square (Locates inside fork 104749)	(2)	NQ2707
Clevis pin (Fork to lever)	(2)	104750
Split pin (Clevis pin retaining)	(2)	PC5
Washer (Split pin to lever/fork)	(2)	GHF300
Operating lever - Cable to wheel cylinder;		
Manually adjusted brakes (Rh & Lh)	(2)	123135
Self adjusting brakes -		
Right hand	(1)	519800
Left hand	(1)	519799

BRAKE/CLUTCH FLUIDS

BRAKE FLUID

Unipart (DOT 3) (1 litre)	(a/r)	GBF103
Silicone (0.5 litre)	(a/r)	RX1327
Silicone (1.0 litre)	(a/r)	RX1326

SILICONE BRAKE/CLUTCH FLUID

Unlike normal brake/clutch fluids, Silicone fluid does not absorb moisture. This will avoid corrosion in the system (and under strenuous braking conditions tends not to boil). Also, it won't harm paintwork if spilt.
Note; before filling with Silicone fluid, the entire hydraulic system should be flushed out. Do not mix with standard fluid.





Steering Rack & Mounting

Steering rack (Includes gaiters, less track rod ends);

RHD -		
New	(1)	306829
Reconditioned (Exchange)	(1)	306829R
New (High ratio)	(1)	306829HR
LHD -		
New	(1)	306830
Reconditioned (Exchange)	(1)	306830R
New (High ratio)	(1)	306830HR
Track rod end (Inc nyloc nut)	(2)	GSJ158
Nut (Track rod end to track rod 129961)	(2)	128022
Rack gaiter;		
Right hand	(1)	RTC2219
Left hand	(1)	RTC2218
Pair	(1)	RTC2218-9
Track rod & inner ball joint	(2)	129961R
Steering knuckle (Rack to column shaft)	(1)	FAM1718
Pinch bolt (Steering knuckle to rack/shaft)	(2)	BH605101
Nut (For bolt BH605101)	(1)	GHF272

MOUNTINGS

Rubber mounting (Rack to body)		
Standard	(2)	139386
Poly	(2)	139386P
Reinforcing plate	(2)	133875
'U' bolt/clamp	(2)	156024
Nut - Nyloc (For 'U' bolt 156024)	(4)	GHF222
Washer - Plain (For 'U' bolt 156024)	(4)	GHF301

MORE STOCK EVERY DAY

If the part you require is not listed here, please enquire, we can check factory parts listings and stock availability for you.

Steering Wheel & Fittings

ORIGINAL

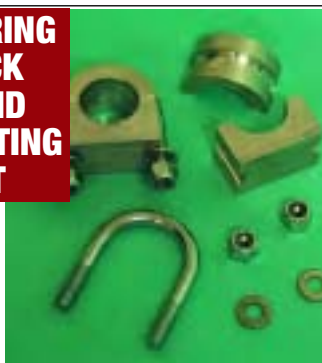
Original type steering wheel	(1)	160038
Nut - Wheel securing	(1)	105438
Horn push;		
Mk1 & Mk2 ('Shield' logo)	(1)	150277
Mk3 ('Triumph' logo)	(1)	159761
'Pencil' connector (Horn push)	(1)	142534
Clip - Horn push	(1)	204741
Slip ring/insulator	(1)	608462

AFTERMARKET

Complete with boss & fittings.

'Moto-Lita' Sports steering wheel & boss;		
13" (Woodrimmed - Flat)	(1)	RR1170/13
14" (Woodrimmed - Flat)	(1)	RR1170/14
13" (Leather - Flat)	(1)	RR1173/13
14" (Leather - Flat)	(1)	RR1173/14
'Mountney' Sports steering wheel & boss;		
13" (Woodrimmed - Semi-dished)	(1)	RL1466

STEERING RACK SOLID MOUNTING KIT



Solid Mounting Kit (alloy) (1) **RR1370**
Replaces original rubber mountings and clamps. Provides more positive feel to steering. Note: also transmits more road noise and vibration.

Steering Column & Fittings

Column lock & keys (Less switch);

NOTE: Steering column lock/ignition switch was offered as a factory fitted option for Mk1 & Mk2.

Mk1 & Mk2 (Factory option)	(1)	132135
Mk3 (to KE/KF20000) (Standard fit)	(1)	219061/1
Mk3 (from KE/KF20001) (Standard fit)	(1)	UKC27191
Starter/ignition switch only;		
Mk1 & Mk2 (Dash mounted)	(1)	127651
Mk3	(1)	158459
Lock barrel/key (Mk1 & Mk2)	(1)	24G1345
Dash mounted		
Shear bolts (Column lock)	(2)	152597
Shroud/cover (Steering lock)	(1)	718813

STEERING SHAFT & FITTINGS

NOTE: Steering column lock/ignition switch was offered as a factory fitted option for Mk1 & Mk2.

Bearing (Upper & lower column)	(2)	209423
Upper steering column assembly	(1)	155621
Clip (Trafficator cancelling)	(1)	140549
Lower steering shaft	(1)	209688
Washer (Steering shaft)	(1)	122719
End cap (Steering shaft)	(1)	122718
Steering knuckle (Rack to column shaft)	(1)	FAM1718
Pinch bolt (Steering knuckle to rack/shaft)	(2)	BH605101
Nut (For bolt BH605101)	(1)	GHF272

OUTER COLUMN & FITTINGS

Outer column tube	(1)	154177
Slip ring/insulator	(1)	608462
Cover/Escutcheon (Column switches);		
NOTE: Light switch only fits on left hand side of column.		
Lighting & Indicator (NON-overdrive)	(2)	708479
Mk1, Mk2 & Mk3 models. Rh or Lh.		
Overdrive & indicator switch (Rh)	(1)	611974
Mk1 & Mk2 only, when column mounted overdrive switch fitted		
Labels/instructions (for Covers);		
Lighting (3 position) (Mk1)	(1)	611013
Dipswitch (2 position) (Mk2/Mk3)	(1)	621968
Indicator (All) (Rh fit)	(1)	611011
Spring clip (Upper/outer column clamp)	(1)	609639



Engine Electrics - Major Units

Alternator - Dynamo - Starter

Starter motor;		
Reconditioned (Exchange)	(1)	GEU9405
Up rated high torque (see photo)	(1)	GEU9405UR
Solenoid (Starter motor)	(1)	134174A
Dynamo (Mk1 only) (Exchange)	(1)	GXE3101
Control box - Dynamo (Mk1 only)	(1)	GEU6606
Alternator - Reconditioned (Exchange);		
<i>All alternators are Negative Earth, and are supplied less fan & pulley.</i>		
<i>Pulleys & fans are available if required for the following alternators only.</i>		
Mk1 (11ac) (Factory option)	(1)	GEU2202
Mk1 Conversion Kit (16ACR)		RV6043
Mk2 & Mk3 (16ACR)	(1)	GXE8211
Fan belt;		
Mk1 (To KC/KD7905E)	(1)	GCB11125
Mk1 (Late) (From KC/KD7906E)	(1)	GCB11088
Mk2 (To KC76718)	(1)	GCB11125
Mk2 (From KC76719)	(1)	GFB11162
Mk3	(1)	GFB11150

UP RATED HI-TORQUE STARTER MOTOR



Fits as direct replacement. Starts engine regardless of compression or temperature. Up to 200% more cranking power using up to 50% less current.

Up rated Hi-Torque Starter motor (1)**GEU9405UR**
All models. Outright sale, no exchange.



Engine Electrics - Ignition System

Plugs - Leads - Distributor - Coil.

DISTRIBUTOR

Distributor (Delco Remy) (Exchange);		
Mk1 - Recon (Delco Remy D202)	(1)	213186R
Mk2 - Recon (Delco Remy D200)	(1)	215511R
Mk3 - Recon (To KE10000 Delco Remy D200)	(1)	215511R
Recon (From KE10000 Delco Remy D204)	(1)	218173R
Distributor cap (All)	(1)	GDC109
Rotor arm (All)	(1)	GRA2110
Condenser (All)	(1)	GSC104
Contact breaker points (All)	(1)	GCS105
Screw (Contact breaker points)	(1)	511842
Low tension lead	(1)	513994

ELECTRONIC IGNITION KIT

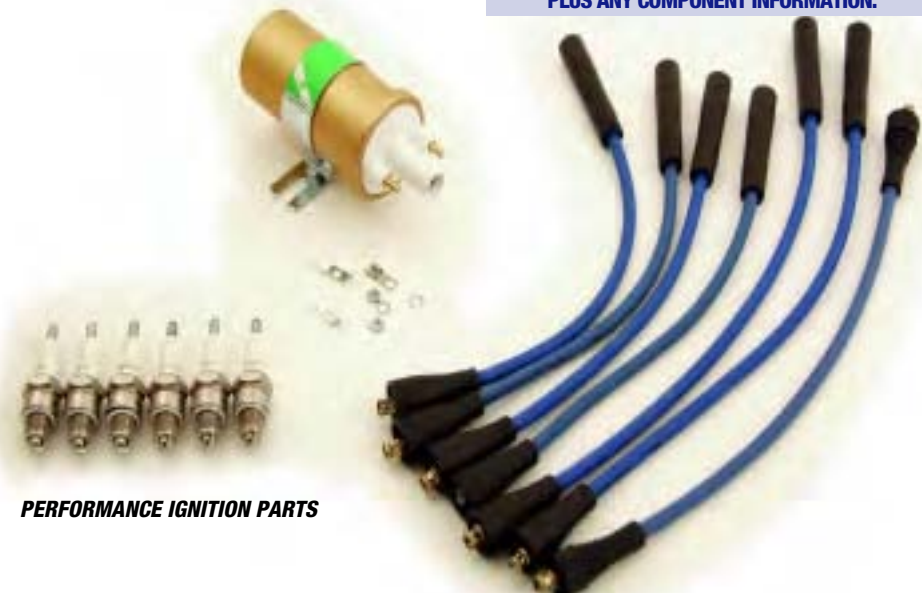


ELECTRONIC IGNITION KIT
Kit offers maintenance free ignition system (in place of contact points) with improved performance and fuel economy.

Newtronic/Piranha electronic ignition kit	(1)	RG1255
---	-----	---------------

PLUGS - LEADS - COIL

Spark plug		
Standard	(6)	GSP4362
Double copper core	(6)	GSP6462
Plug lead set		
Standard	(1)	GHT142
Silicone	(1)	GHT142S
Plug spanner	(1)	GAT140
Ignition coil;		
Standard -		
Mk1 & Mk2 (12 volt)	(1)	GCL110
Mk1 & Mk2 (12 volt) Original Lucas.	(1)	GCL110L
Mk3 (6 volt) (Ballast resistor type)	(1)	GCL132
Performance -		
Mk1 & Mk2 (12 volt)	(1)	GCL110HP
Mk3 (6 volt) (Ballast resistor type)	(1)	GCL132HP
Ballast resistor (Mk3 only)	(1)	134176A



PERFORMANCE IGNITION PARTS

Windscreen Wiper/Washer System

Wiper motor (Less drive gear);		
Mk1	(1)	515658R
Mk2 & Mk3	(1)	517621
Drive gear (Wiper motor);		
Mk1	(1)	513962
Mk2 & Mk3	(1)	520101
Mounting bobbin -		
Wiper motor (Mk1)	(3)	17H5431
Seating pad -		
Wiper motor (Mk2/Mk3)	(1)	150844A
Holding strap -		
Wiper motor (Mk2/Mk3)	(1)	BHA4790
Wiper rack (All)	(1)	RTC202A
Wheel box;		
Mk1	(2)	37H7738
Mk2 & Mk3	(2)	155430
Bush kit - Wheel box (All)	(2)	519988
Nut - Outer (Wheel box)		
Hexagonal (early)	(2)	RF4100
Octagonal (late)	(2)	520205
Wiper arm;		
Mk1 (Silver) (Rh & Lh)	(2)	130034
Mk2/Mk3 (Silver) (Rh & Lh)	(2)	UKC1285
Mk2/Mk3 (Black) (Rh & Lh)	(2)	UKC1285B
Wiper blade;		
Mk1 (Silver)	(2)	GWB112
Mk2 (Silver)	(2)	GWB118
Mk3 (Black)	(2)	GWB199B
Mk3 (Silver)	(2)	GWB199S
Wiper switch only (Mk1) (Twin speed)	(1)	143841
Washer pump only - manual (Mk1)	(1)	GWW110
Knob - for pump GWW110	(1)	609946
Wiper switch/washer pump (Mk2 & Mk3);		
Lucas type	(1)	155495L
Knob (For switch 155495)	(1)	725374
Washer bottle (All)	(1)	609172
Mounting bracket (Bottle)	(1)	RTC2392
Washer pipe & jet kit	(1)	RL1119
<i>Includes; 2 jets, 1 'T' piece, 1 grommet and 3 metres of tubing.</i>		
Washer jet	(2)	GWW802
'T' piece	(1)	612601
Grommet	(1)	61917
Tubing (Sold per metre)	(a/r)	GWW201M
Non return valve	(1)	618120

HELP US TO HELP YOU

If you are not sure which part/part number you require, to help ensure you receive the correct component, wherever possible please quote:

MODEL, YEAR, CHASSIS AND/OR ENGINE NUMBER PLUS ANY COMPONENT INFORMATION.

DESCRIPTION QTY REQ. PART NO.



HALOGEN HEADLIGHT CONVERSION KIT

Headlamps

HEADLIGHT UNIT (GLASS) & BULBS

Light unit (Sealed beam);		
RHD (no pilot)	(2)	GLU132
RHD (with pilot)	(2)	GLU104
LHD (exc. France)	(2)	GLU133
Light unit (replacement bulb type);		
LHD (no pilot)	(2)	GLU513
LHD (with pilot)	(2)	GLU515
Bulb (for GLU513/5) - non halogen;		
Clear (45/40w)	(2)	GLB410
Clear (60/55w)	(2)	GLB2983
Cadmium yellow	(2)	GLB411
Halogen conversion kit;		
RHD (with or without pilot)	(1)	RB7129
LHD (with or without pilot)	(1)	RB7082
LHD - France (pilot type)	(1)	RB7160
Light unit (Halogen type);		
RHD (with or without pilot)	(2)	GLU583
LHD (with or without pilot)	(2)	RB7409
Halogen bulb (for above);		
Clear (55/60w)	(2)	GLB472
Clear - Xenon (55/60w) (pair)	(1)	GLB472X
Clear - Up-rated (100/80w)	(2)	GLB484
Yellow (55/60w)	(2)	GLB476

HEADLAMP BOWL & ADJUSTMENT

Backing bowl (Complete)	(2)	S5400
<i>Plastic outer bowl, steel inner seat & outer rim (515218A)</i>		
Backing bowl		
Inner seat only	(2)	S5400I
Outer only (in steel)	(2)	S5400S
Gasket - Bowl to body	(2)	9403
Headlamp adjuster kit	(2)	BHM7058
Outer retaining rim	(2)	515218A
<i>Screws to backing bowl.</i>		
Screw - Rim retaining	(6)	PJZ602
Cable & connector (loom)		
Sealed beam/no pilot	(2)	BAU2110
Sealed beam/with pilot	(2)	BAU2111
Bulb type/with pilot	(2)	27H5976
Outer chrome rim	(2)	119072

Mk1 & Mk2 only. For Mk3 headlamp finisher refer to BODY PARTS & FITTINGS - Bonnet & Front Panels.

HEADLAMP STONE GUARDS



Headlamp Stoneguards (pair) (1) **RR1175**
Mk1 & Mk2 only. Clip on.

DESCRIPTION QTY REQ. PART NO.



Front Side/Flasher Lamps

GT6 MK1		
Front side lamp assembly (Round)	(2)	121355
Lens only - Clear (Side lamp)	(2)	37H6928
Rubber boot/body	(2)	508162
Rim (Lens retainer)	(2)	7H5182
Bulb only	(2)	GLB207
Front flasher lamp assembly (Round)	(2)	121356
Lens only - Amber (Flasher lamp)	(2)	37H5520
Bulb only	(2)	GLB382
GT6 MK2 & MK3		
Front side/flasher lamp	(2)	UKC5992
Clear lens only;		
Curved	(2)	520083
Peaked	(2)	516308
Amber lens only;		
Curved	(2)	520082
Peaked	(2)	516306
Bulb only;		
Side	(2)	GLB989
Flasher	(2)	GLB382
Gasket	(4)	154049
<i>Lens to lamp base & lamp to bodywork.</i>		
Chrome rim (Lens)	(2)	516304

DESCRIPTION QTY REQ. PART NO.



Rear Lamps & Fittings

GT6 MK1 & MK2		
Rear stop/tail lamp assembly	(2)	217025
Lens only (Red)	(2)	511800
Screw - lens retaining	(2)	PMP308
Gasket;		
Lens to lamp	(2)	511802
Lamp to body	(2)	511803
Bulb only	(2)	GLB380
Rear flasher lamp assembly;		
Mk1 (Amber lens)	(2)	121356
Mk2 (Amber lens)	(2)	147551
Lens only - Rear flasher lamp;		
Mk1 (Amber lens)	(2)	37H5520
Mk2 (Amber lens)	(2)	516301
Bulb only	(2)	GLB382
Mounting plinth -		
Rear flasher lamp (Mk2)	(2)	147592
Reverse lamp assembly*	(2)	131608
Lens only (Clear)*	(2)	37H6928
Rim (Lens retaining)	(2)	510761
Bulb*	(2)	GLB382
<i>*Mk1 & Early Mk2 only. For Late Mk2 Reverse Lamp please refer to: Number Plate Lamp (Mk2).</i>		
GT6 MK3		
Rear lamp assembly	(2)	TKC940
Rear lamp lens kit	(2)	TKC940L
<i>Includes 1 each of items shown with* below.</i>		
Lenses only;		
Flasher	(2)	RTC1176*
Stop/tail	(2)	RTC1177*
Reverse	(2)	RTC1174*
Gaskets;		
Lenses to lamp	(2)	520091*
Lamp to body	(2)	RTC1175*
Bulb holders;		
Flasher	(2)	518042
Stop/tail	(2)	518041
Reverse	(2)	518042
Kit of 6	(1)	RS2018
Bulbs;		
Flasher	(2)	GLB382
Stop/tail	(2)	GLB380
Reverse	(2)	GLB382
Nut - Rear lamp retaining	(10)	HN2005
Washer - Flat (For nut HN2005)	(10)	WP5
Washer - Spring (For nut HN2005)	(10)	WL205



REAR LAMP BULB HOLDER KIT - MK3 - RS2018

Rear Number Plate Lamp

MK1 & MK2 (MK2 to KC75000)

Number plate lamp (Chrome) (UK spec)	(1)	127916
Bulb only	(1)	GLB989
Lens only	(1)	601721A

MK2 (MK2 from KC75001 - includes Reverse Lamp)

Reverse & No plate lamp housing	(1)	817385
Number plate lamp assembly <i>Button type lamp.</i>	(2)	UKC7274
Lens only (For No. plate lamp UKC7274)	(2)	510875
Bulb only (For No. plate lamp UKC7274)	(2)	GLB233
Rim-cover (For No. plate lamp UKC7274)	(2)	BAU1797
Reverse lamp assembly	(1)	153965
Lens only - Reverse lamp	(1)	510762
Bulbs only;		
Number plate	(2)	GLB501
Reverse lamp	(1)	GLB382

MK3 (UK Spec) (Illustrated)

No. plate lamp assembly (Inc badge)	(1)	718028
Chrome cover only	(1)	519582
Gasket only (Cover to lamp base)	(1)	215823
'Triumph' badge complete	(1)	626859
Retaining clip <i>For badge 626859 to chrome cover.</i>	(3)	FR1202
'Triumph' badge/insert only <i>Self adhesive.</i>	(1)	626859S
Lens only;		
Right hand	(1)	518032
Left hand	(1)	518031
Bulb only	(2)	GLB207
Nut (Number plate lamp fixing)	(2)	HN2005
Washer - Spring (For nut HN2005)	(2)	WL205
Washer - Flat (For nut HN2005)	(2)	WC106041

MK3 (USA Spec)

Vehicles to KF20000

No. plate lamp assembly (Inc badge) <i>Located on bumper bar.</i>	(1)	718028
Chrome cover only	(1)	519582
Gasket only (Cover to lamp base)	(1)	215823
'Triumph' badge (Complete)	(1)	626859
Retaining clip <i>For badge 626859 to chrome cover.</i>	(3)	FR1202
'Triumph' badge/insert only <i>Self adhesive.</i>	(1)	626859S
Lens only;		
Right hand	(1)	518032
Left hand	(1)	518031
Bulb only	(2)	GLB207

Vehicles from KF20001

Number plate lamp;
Fitted directly onto bodywork, either side of number plate.

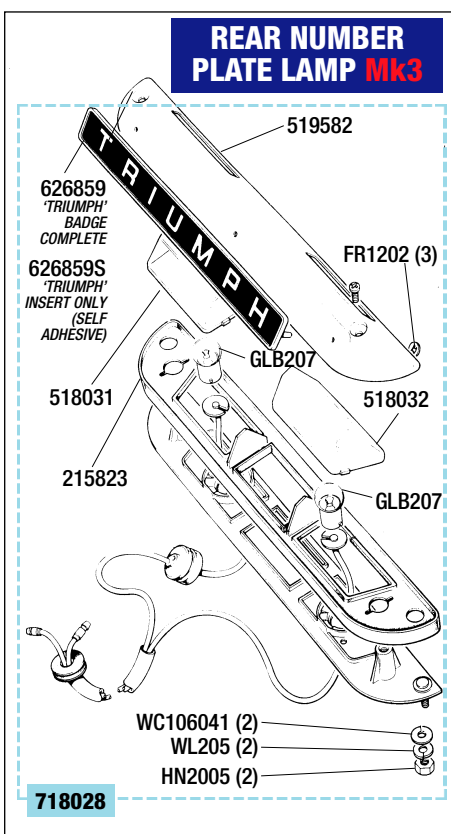
Chrome	(2)	PRC1229
Black	(2)	UKC9173
Bulb (Festoon)	(2)	GLB239

For lamps PRC1229/UKC9173.

Cruise Lights - Front & Rear (USA Spec)

Cruise lamps fit on front & rear wing sides.

Cruise lamp kit (Front/rear) <i>Includes 2 amber and 2 red cruise lamps.</i>	(1)	RL1361
Cruise lamp only;		
Front - Amber	(2)	158561
Rear - Red	(2)	AEU1028



Fog Lights

Front fog light (Pair)	(1)	RX1370
Rear fog light (Each)	(2)	RB7092

Interior Lighting

See also; Switches & Controls - Miscellaneous.

Roof lamp	(1)	718574
Bulb (Festoon)	(1)	GLB239

Replacement bulb for both roof & tailgate lamp.

Switches & Controls

COLUMN MOUNTED SWITCHES - Mk1, Mk2 & Mk3

Steering column lock & keys (Less switch);
NOTE: Steering column lock/ignition switch was offered as a factory fitted option for Mk1 & Mk2.

Mk1 & Mk2 (Factory option)	(1)	132135
Mk3 (Standard fit) - to KE/KF20000	(1)	219061/1
from KE/KF20001	(1)	UKC27191
Starter/ignition switch only (Mk3)	(1)	158459
Shear bolts (Column lock)	(2)	152597
Shroud/cover (Steering lock)	(1)	718813
Lighting stalk/switch;		
Mk1 (3 position) Side, main, dip & flash.	(1)	147278
Mk2 & Mk3 (2 position) Main, dip & flash.	(1)	152616
Indicator stalk/switch	(1)	158966
Overdrive stalk/switch (Mk1 & Mk2)		
RHD	(1)	147280
LHD	(1)	147281
Cover/Escutcheon (Column stalks/switches);		
Lighting & Indicator NON-overdrive.	(2)	708479
Overdrive & indicator switch Mk1 & Mk2 only, when column mounted (right hand) overdrive switch fitted.	(1)	611974
Labels/instructions (for Covers);		
Lighting (3 position) (Mk1)	(1)	611013
Dipswitch (2 position) (Mk2 & Mk3)	(1)	621968
Indicator (All) (Rh column fitting)	(1)	611011
Horn push;		
Mk1 & Mk2 ('Shield' logo)	(1)	150277
Mk3 ('Triumph' logo)	(1)	159761
'Pencil' connector (Horn push)	(1)	142534
Clip - Horn push	(1)	204741
Slip ring/insulator	(1)	608462

DASH MOUNTED SWITCHES - GT6 Mk1 (UK Spec)

Starter/ignition switch (Mk1) <i>For Mk3 refer to column mounted switches.</i>	(1)	127651
Barrel & keys only	(1)	24G1345
Interior light switch (Toggle)	(1)	143843
Wiper switch (2 speed) (Toggle)	(1)	143841
Knob - Wiper switch	(1)	704875
Master light switch (Toggle)	(1)	145203
Heater fan switch (2 speed) (Toggle)	(1)	142592

DASH MOUNTED SWITCHES - GT6 Mk2 & Mk3 (UK Spec)

Starter/ignition switch (Mk2) <i>For Mk3 refer to column mounted switches.</i>	(1)	127651
Barrel & keys only	(1)	24G1345
Hazard warning lamp (Mk2 & Mk3)	(1)	156044
Heated rear window switch	(1)	150377
Interior light switch (Vertical Rocker)	(1)	150379
Master light switch (Vertical Rocker)	(1)	UKC8647
Wiper switch/washer pump (Mk2 & Mk3); Lucas type	(1)	155495L
Knob (For switch 155495)	(1)	725374

MISCELLANEOUS SWITCHES - Mk1, Mk2 & Mk3

Oil pressure switch	(1)	GPS117
Temperature transmitter	(1)	GTR108
Brake light switch	(1)	134529
Overdrive switch (Mk3 only) <i>Located in gear lever knob.</i>	(1)	520999A
Reverse light switch	(1)	BAU1074A
Overdrive inhibitor switch	(1)	BAU1074A
Door courtesy light switch (Fits on 'A' post);		
Mk1 & Mk2	(2)	606240
Mk3 (Plastic)	(2)	AAU1876A
Tailgate courtesy light switch	(1)	AAU1876A

DESCRIPTION QTY REQ. PART NO.

Relays - Fuses & Horns

Horn;		
High note	(1)	GGE164
Low note	(1)	GGE165
Air horns (pair)	(1)	RX1381

RELAYS & FUSES

Relays;		
Horn	(1)	CHM68
Indicator/flasher unit	(1)	GFU2124
Hazard warning	(1)	GFU2204
Overdrive	(1)	142169A
Rear Lights dimming (Mk3 only)	(1)	216112
Voltage stabiliser (Speedo);		
Mk1 & Mk2	(1)	128484
Mk3	(1)	148876A
Resistor (For heater lever/control unit 622236)	(1)	7H6926
Fuse box (All) (Part of main harness)	(1)	521030
Cover - Fuse box (All)	(1)	607201A
Fuses (pack of 5)		
5 amp	(A/R)	GFS3005
10 amp	(A/R)	GFS3010
15 amp	(A/R)	GFS3015
20 amp	(A/R)	GFS3020
25 amp	(A/R)	GFS3025
35 amp	(A/R)	GFS3035

Wiring Harness**UK & EUROPEAN**Main & body harness;
Excludes headlight harness.

Mk1 -		
RHD	(1)	RG1258
LHD	(1)	RG1259
Mk2 -		
RHD (Single reverse light)	(1)	RG1264
RHD (Twin reverse light)	(1)	RG1268
LHD	(1)	RG1265
Mk3 -		
RHD (to KE20000)	(1)	RG1274
With ballast resistor for ignition coil.		
RHD (from KE20001)	(1)	RG1275
With resistor wire for ignition coil.		
LHD (to KE20000)	(1)	RG1195
With ballast resistor for ignition coil.		
LHD (from KE20001)	(1)	RG1178
With resistor wire for ignition coil.		
Headlight, side/flasher harness	(1)	RL1570
Not supplied with full harness, consists of 2 separate leads (RH & LH) that connect to main harness.		
Overdrive harness;		
Gearbox harness	(1)	155985
Gearlever harness	(1)	153726

USA ONLYMain & body harness;
Excludes headlight harness.

Mk1	(1)	RG1259
Mk2 -		
with Single reverse light	(1)	RG1265
with Twin reverse light	(1)	RG1281
Mk3 -		
to KF20000	(1)	RG1195
With ballast resistor for ignition coil.		
from KF20001	(1)	RG1178
With resistor wire for ignition coil.		
Headlight, side/flasher harness	(1)	RL1570
Not supplied with full harness, consists of 2 separate leads (RH & LH) that connect to main harness.		
Overdrive harness;		
Gearbox harness	(1)	155985
Gearlever harness	(1)	153726

DESCRIPTION QTY REQ. PART NO.

**AIR HORNS RX1381****Instruments & Cables**

Speedometer - MPH (NON-Overdrive) (Recon);		
Mk1	(1)	213514R
Mk2	(1)	215038R
Mk3 -		
to KE/KF20000	(1)	215038R
from KE/KF20001	(1)	218819R
Speedometer - MPH (Overdrive) (Recon);		
Mk1	(1)	213516R
Mk2	(1)	215042R
Mk3 -		
to KE/KF20000	(1)	215042R
from KE/KF20001	(1)	218823R
Voltage stabiliser;		
Mk1 & Mk2	(1)	128484
Mk3	(1)	148876A
Speedometer cable;		
NON-Overdrive	(1)	GSD111
Overdrive	(1)	GSD115
Grommet (Speedo cable)	(1)	600396
Rev counter (Recon);		
Mk1	(1)	213190R
Rev counter 213190 has Flasher/Indicator Warning light.		
Mk2 & Mk3	(1)	215044R
Rev counter 215044 has Flasher/Indicator Warning light & Heated Rear Glass Warning Light.		
Rev counter cable	(1)	144370
Grommet (Rev counter cable)	(1)	600396
Fuel gauge (Recon);		
Mk1	(1)	143577R
Mk2 & Mk3 (Mk3 to KE/KF20000)	(1)	150162R
Mk3 (Mk3 from KE/KF20000)	(1)	159611R
Water temperature gauge (Recon);		
Mk1	(1)	145002R
Mk2 & Mk3	(1)	150163R
Bulbs (All Instrument illumination/warning)	(a/r)	GLB987

DESCRIPTION QTY REQ. PART NO.

Battery & Fittings

Battery (Wet charged);		
Batteries NOT available by mail-order.		
Mk1 & Mk2 (Premium)	(1)	GBY5609
Mk3 (Premium)	(1)	GBY5606
Battery conditioner	(1)	RX1410
Auto on/off - see accessories.		
Battery charger (6 & 12 volt - conventional)	(1)	GAC7106
Battery lead & clamp;		
'Positive' - (to solenoid);		
RHD	(1)	516377
LHD	(1)	515873
'Negative' (RHD or LHD)	(1)	UKC1361
Cable (solenoid to starter)		
RHD or LHD	(1)	131114
Battery bracket fixing kit	(1)	RL1108
Includes retaining bar, clamp rods & wing nuts.		
Battery fixings/clamps (Individual parts);		
Retaining bar	(1)	142087
Rod	(2)	619864
Wing nut	(2)	132068
Battery Tray/Box	(1)	806707
Mat - rubber (battery seating)	(1)	613155

BATTERY CONDITIONER**The battery charger that turns on and off, automatically.**

Suitable for all 12 volt batteries (from 5AH to 100AH), this superb product constantly revitalises the battery cells - helping to extend cell life, without the danger of overcharging.

Battery Conditioner Kit - RX1410

Comes complete with all fittings & operating instructions.

LOOK AT THESE BENEFITS;

- Designed to be left connected for long periods.
- Use without disconnecting vehicle electrics.
- L.E.D. battery condition display.
- Thermal cut-out facility.
- 12 month guarantee.

Can also be used for these applications providing they use a 12 volt battery;

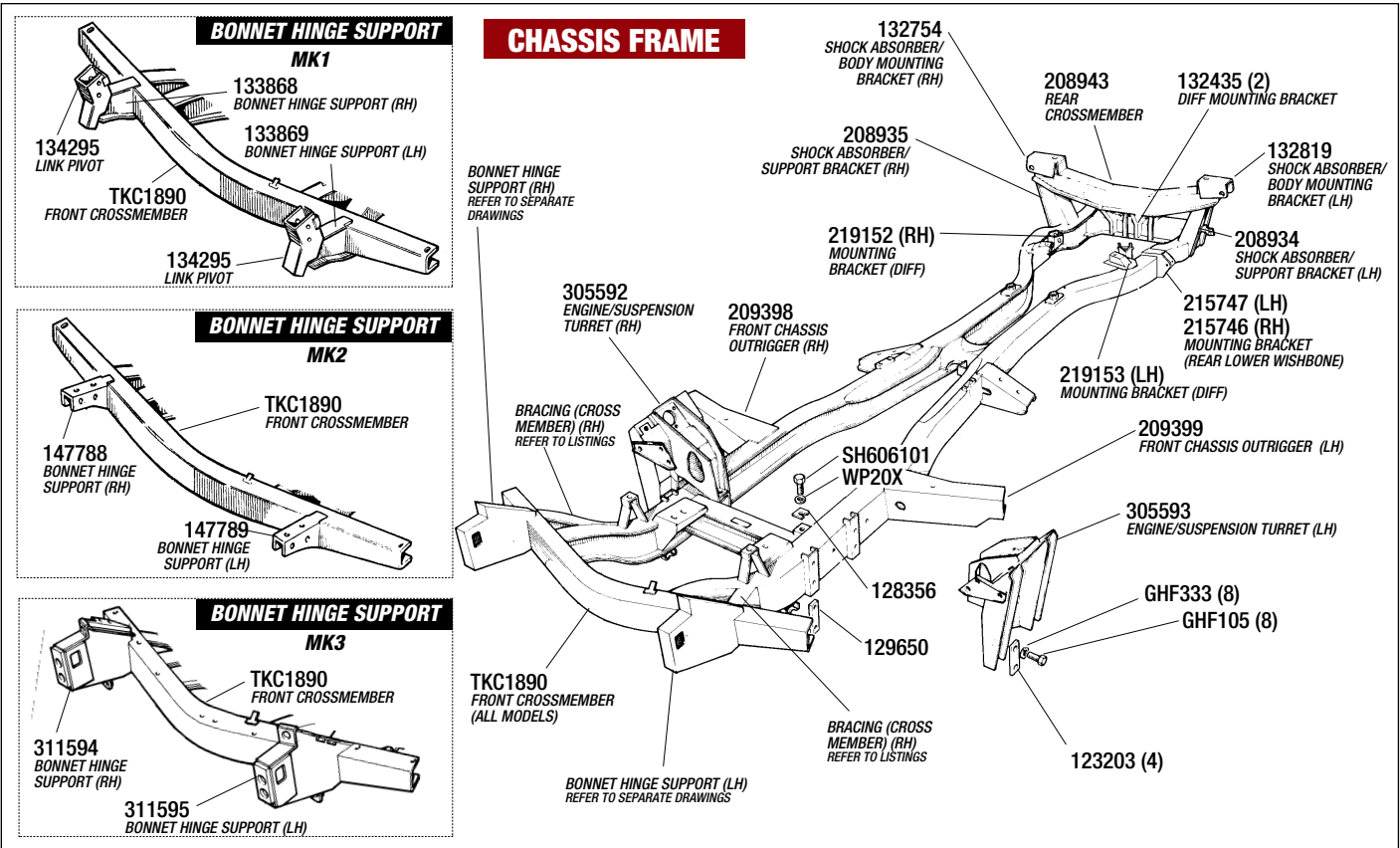
Caravans, lawn mowers, motorbikes, motor boats, wheel chairs and general leisure use.

BATTERY CHARGER GAC7106

Conventional type 6v/12v

OIL PRESSURE GAUGE KITS

Oil pressure gauge kit (Inc gauge, pipe)	(1)	RX1351/O
Oil pressure and water temp gauge kit (inc. gauge, pipe)	(1)	RX1351/OW
Bracket (for remote mounting of gauge)	(1)	RB7050
Adaptor		
Oil pipe to block	(1)	143943
Temp sender to water pump housing	(1)	11K2846
Washer (copper) (for adaptor 11K2846)	(1)	AED172
'T' piece	(1)	RX1352
Required when fitting oil pressure gauge kit if retaining low pressure warning light.		
Oil pressure switch	(1)	GPS117



Chassis Frame

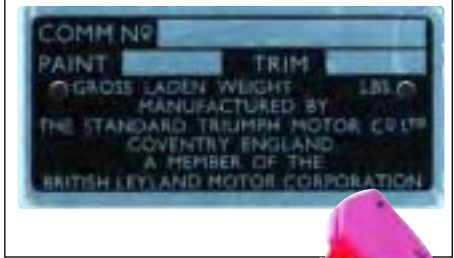
ALL MODELS

Chassis frame (Reconditioned); Enquire for availability.

UK specification	(1)	PKC117R
Mounting kit (Body to chassis) Includes mounting pads, bolts, washers & nuts.	(1)	574245
Bonnet hinge support;		
Mk1 -		
Right hand	(1)	133868
Left hand	(1)	133869
Mk2 -		
Right hand	(1)	147788
Left hand	(1)	147789
Mk3 -		
Right hand	(1)	311594
Left hand	(1)	311595
Link pivot - Bonnet hinge support;		
Mk1 models only	(2)	134295
Front crossmember		
Excludes bonnet hinge supports.	(1)	TKC1890
Bracing - Crossmember;		
Mk1 & Mk2 -		
Right hand	(1)	209439
Left hand	(1)	209440
Mk3 -		
Right hand	(1)	218526
Left hand	(1)	218527
Front chassis outrigger;		
Right hand	(1)	209398
Left hand	(1)	209399
Mounting turret/bracket (Engine & suspension mounting);		
Right hand	(1)	305592
Left hand	(1)	305593
Plate - stiffener (Turret mounting)	(4)	123203
Setscrew (Turret mounting)	(8)	GHF105
Washer - spring (For setscrew GHF105)	(8)	GHF333
Plate (Drilled & tapped) (Turret mounting)	(4)	129650
Shim (Suspension adjusting)	(A/R)	128356
Setscrew (Adjustment shim)	(2)	SH606101
Washer spring (for setscrew SH606101)	(2)	WP20X
Mounting bracket (Rear axle);		
Right hand	(1)	219152
Left hand	(1)	219153


Mounting bracket (Rear lower wishbone);		
Right hand	(1)	215746
Left hand	(1)	215747
Support bracket (Rear shock absorber);		
Right hand	(1)	208935
Left hand	(1)	208934
Diff mounting bracket (Rear)		
Right hand	(1)	132435
Mounting bracket (Body & shock absorber);		
Right hand	(1)	132754
Left hand	(1)	132819
Rear upper crossmember	(1)	208943
Chassis/commission plate	(1)	RL1431

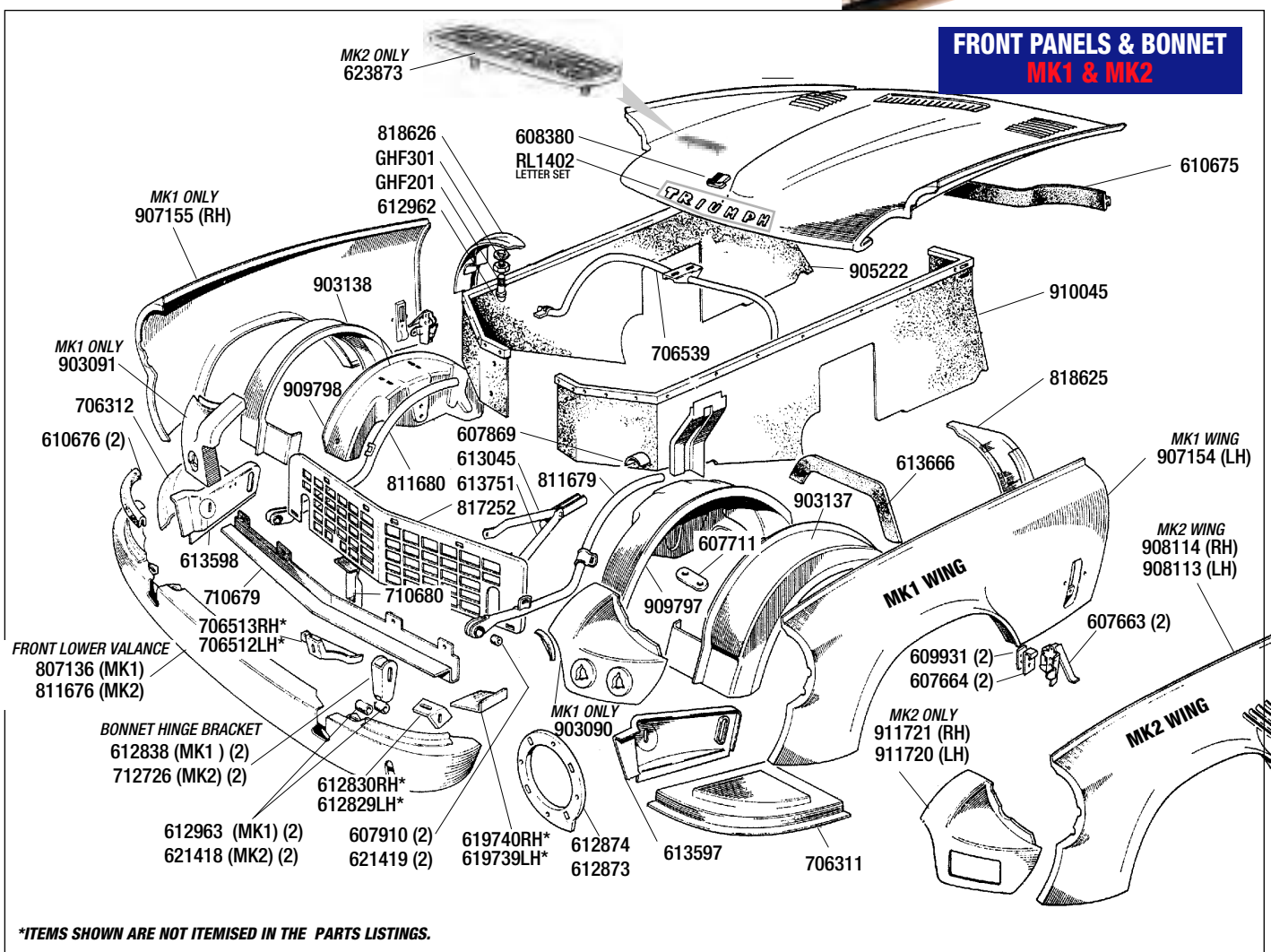
CHASSIS PLATE - RL1431



DOOR GAP ADJUSTING TOOL RX1543
 BOLTS BETWEEN 'A' POST AND 'B' POST TO MAINTAIN CORRECT DOOR APERTURE SIZE WHEN REPLACING SILLS OR REPAIRING CHASSIS.



DESCRIPTION	QTY REQ.	PART NO.	DESCRIPTION	QTY REQ.	PART NO.	DESCRIPTION	QTY REQ.	PART NO.
Front Panels & Bonnet			Headlamp mounting ring;			Bonnet stay rod;		
MK1 & MK2			Right hand	(1)	612874	Upper	(1)	613045
Bonnet assembly (Mk2)	(1)	908116	Left hand	(1)	612873	Lower	(1)	613751
Complete, ready to fit.			Bonnet catch-lever	(2)	607663	Bonnet pivot tube;		
Front wing;			Fitting kit (Bonnet catch) (Not illustrated)	(1)	607663FK	Right hand	(1)	811680
Mk1 -			Includes all fixings required for both sides.			Rear - Centre	(1)	706539
Right hand	(1)	907155	Bonnet lock (Not illustrated)	(1pr)	562116	Left hand	(1)	811679
Left hand	(1)	907154	Bonnet locks supplied in pairs only.			Clamp plate (Bonnet tube to wheelarch)	(4)	607869
Mk2 (with Louvres) -			Plate - Bonnet catch	(2)	607664	Backing plate (Bonnet tube to wheelarch)	(4)	607711
Right hand	(1)	908114	Washer (Catch plate) (Not illustrated)	(2)	613474	Valance board (Engine bay);		
Left hand	(1)	908113	Plate - Bonnet catch (Tapped)	(2)	609931	Right hand	(1)	905222
Front wheel arches;			Setscrew (Bonnet catch plates)	(4)	GHF117	Left hand	(1)	910045
Inner -			Washer - Plain (For setscrew GHF117)	(4)	WP127	Seal (Bonnet to bulkhead)	(1)	610675
Right hand	(1)	909798	Washer - Locking (For setscrew GHF117)	(4)	GHF321	'Triumph' shield badge (Mk1 only)	(1)	608380
Left hand	(1)	909797	*Not illustrated.			'Triumph' letter set (Mk1 only)	(1 set)	RL1402
Outer -			Locating cone/peg (Bonnet)	(2)	612962	Includes 7 letters & fasteners.		
Right hand	(1)	903138	Nut (For cone 612962)	(2)	GHF201	Letter 'T'	(1)	703862
Left hand	(1)	903137	Washer (For cone 612962)	(2)	GHF301	Letter 'R'	(1)	703863
Seal (Wheel arch - Rear)	(2)	613666	Plate* (Bonnet locating peg)	(2)	612617	Letter 'I'	(1)	703864
Clip (for seal 613666) (Not illustrated)	(18)	608520	Bracket* (Bonnet locating plate)	(2)	612616	Letter 'U'	(1)	703865
'Nose' panel;			*For illustration refer to; 'A' Post & dash Panels.			Letter 'M'	(1)	703866
Mk1 -			Reinforcing plate - Wing side (Locates peg 612962);			Letter 'P'	(1)	703867
Right hand	(1)	903091	Right hand	(1)	818626	Letter 'H'	(1)	703868
Left hand	(1)	903090	Left hand	(1)	818625	'GT6 Mk 2' badge	(1)	623873
Mk2 -			Front grille (Black plastic)	(1)	817252	Badge fasteners	(A/R)	GHF1532
Right hand	(1)	911721	Channel (Grille lower)	(1)	710679	'Triumph Laurel' leaf transfer (Optional fitting);		
Assembly	(1)	911721R	Support bracket - Channel	(1)	710680	Black (Not illustrated)	(a/r)	XKC3700
Repair panel	(1)	911720R	Front lower panel/valance;			Gold (Not illustrated)	(a/r)	XKC3702
Left hand	(1)	911720	Mk1	(1)	807136	Silver (Not illustrated)	(a/r)	XKC3701
Assembly	(1)	911720R	Mk2	(1)	811676	Red (Not illustrated)	(a/r)	RB7222
Repair panel	(1)	911720R	Seal - Front lower panel/valance to bonnet;			FRONT GRILLE MK1 & MK2 - 817252		
Strengtheners/filler 'D' panel ('Nose' to wheelarch);			Mk1 & Mk2	(2)	610676	BRAND NEW!		
Right hand	(1)	706312	Bonnet hinge/pivot bracket;					
Left hand	(1)	706311	Illustration shows MK1 type bracket.					
Closing panel (Grille aperture to wheelarch);			Mk1	(2)	612838			
Right hand	(1)	613598	Mk2	(2)	712726			
Left hand	(1)	613597	Tube/spacer (Bonnet hinge bracket to body);					
			Mk1	(2)	612963			
			Mk2	(2)	621418			
			Spacer (Bracket to bonnet tube);					
			Mk1	(2)	607910			
			Mk2	(2)	621419			



Front Panels & Bonnet

Mk3

BONNET - WINGS & ARCHES

Bonnet assembly	(1)	913766
Front wing - Mk3;		
Right hand	(1)	909664
Left hand	(1)	909663
Front wheel arches;		
Inner -		
Right hand	(1)	909798
Left hand	(1)	909797
Outer -		
Right hand	(1)	909352
Left hand	(1)	909351
Seal - wheel arch (rear)	(2)	613666
Clip - for seal above	(18)	608520
Stiffener panel (Bonnet - front)	(1)	815010
Headlamp mounting panel;		
Assembly -		
Right hand	(1)	818872
Left hand	(1)	818871
Repair panel - Base only -		
Right hand	(1)	818872B
Left hand	(1)	818871B
Reinforcing plate - Wing side (Locates peg 612962);		
Right hand	(1)	818626
Left hand	(1)	818625
Bonnet pivot tube;		
Right hand	(1)	911108
Rear - Centre	(1)	911150
Left hand	(1)	911107
Locating cone/peg (Bonnet)	(2)	612962
Nut (For cone 612962)	(2)	GHF201
Washer (For cone 612962)	(2)	GHF301
Plate* (Bonnet locating peg)	(2)	612617

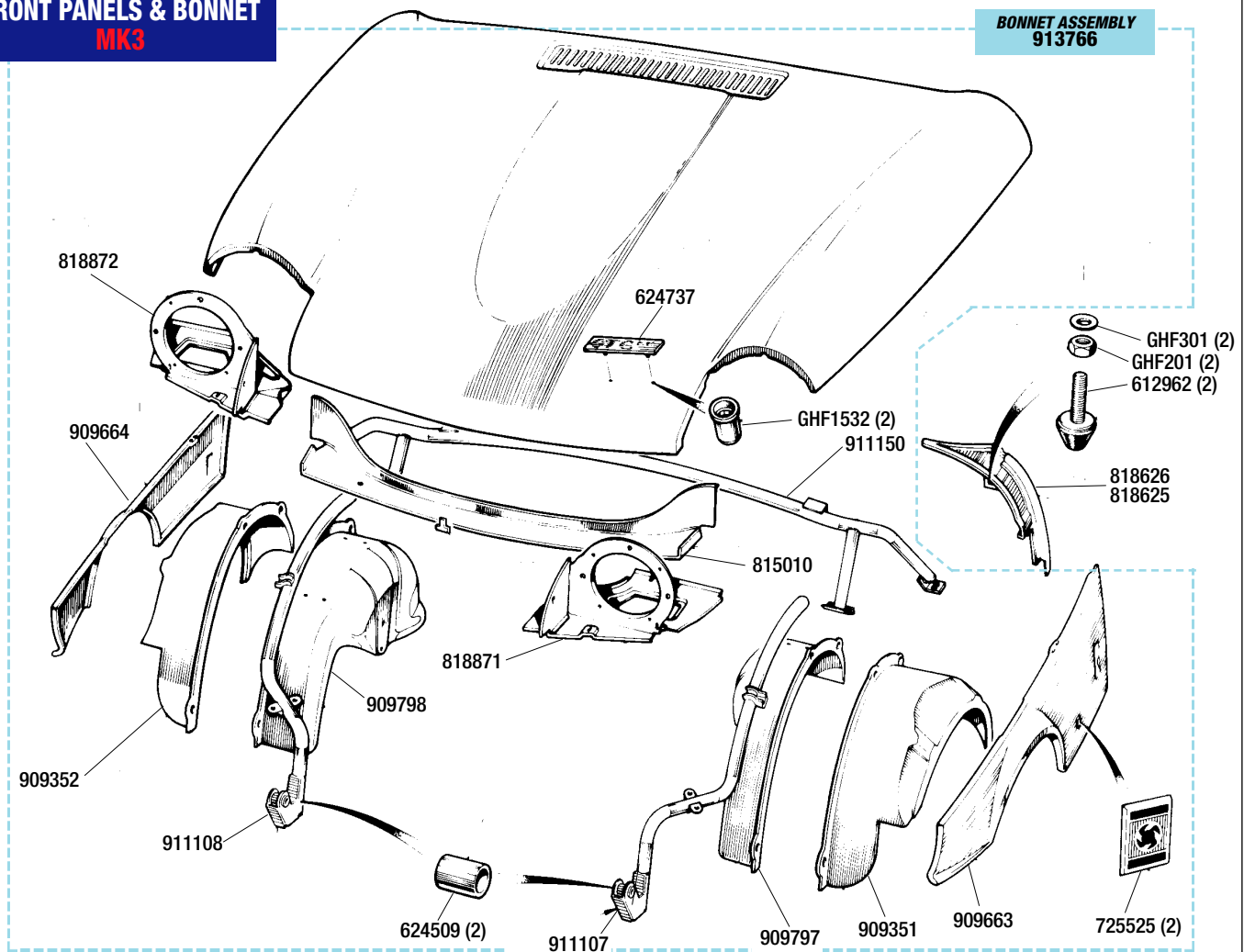
BONNET ASSEMBLY GT6 MK3 - 913766.



Bracket* (Bonnet locating plate)	(2)	612616	'Triumph Laurel' leaf transfer (Optional fitting);		
*For illustration refer to; 'A' Post & dash Panels.			Black (Not illustrated)	(a/r)	XKC3700
Bush (Bonnet tube to hinge)	(2)	624509	Gold (Not illustrated)	(a/r)	XKC3702
'GT6 Mk 3' badge	(1)	624737	Silver (Not illustrated)	(a/r)	XKC3701
Fasteners (Badge)	(2)	GHF1532	Red (Not illustrated)	(a/r)	RB7222
Blue 'BL' badge (Stick-on)	(2)	725525			

FRONT PANELS & BONNET MK3

BONNET ASSEMBLY 913766



DESCRIPTION QTY REQ. PART NO.

Mk3 BONNET HINGE & PIVOT - FITTINGS & CATCH

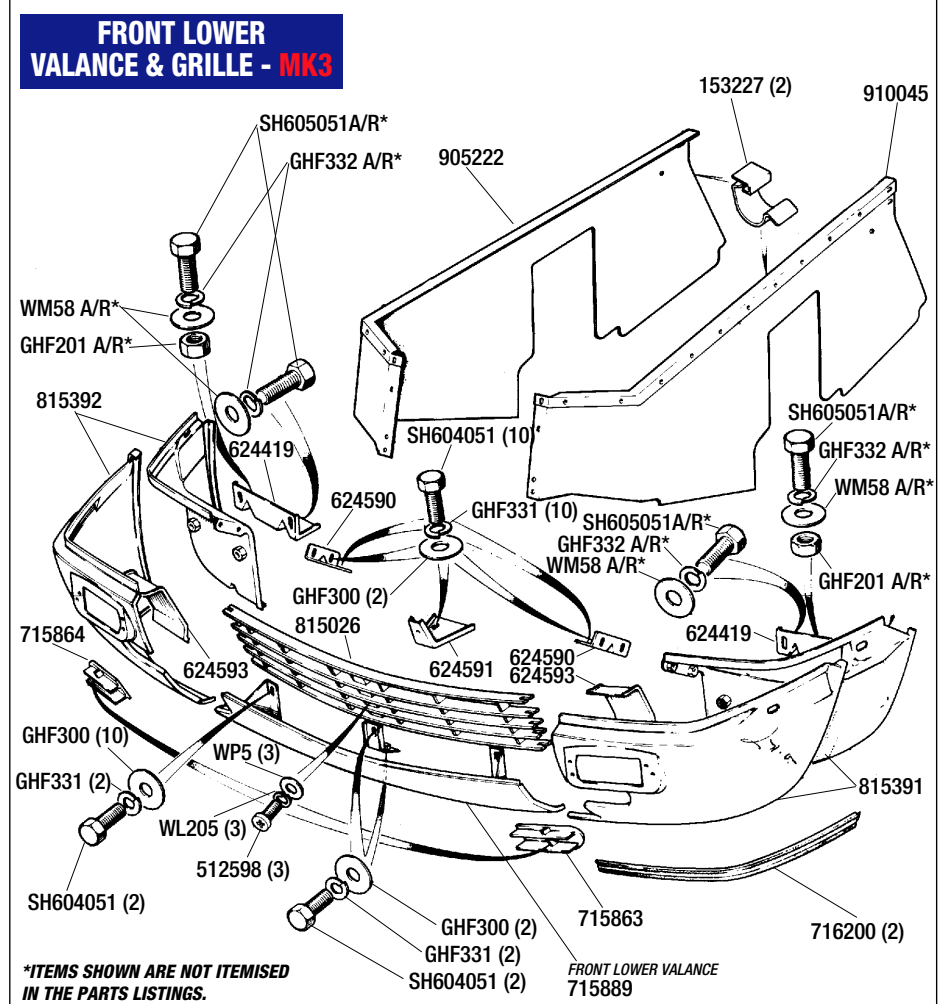
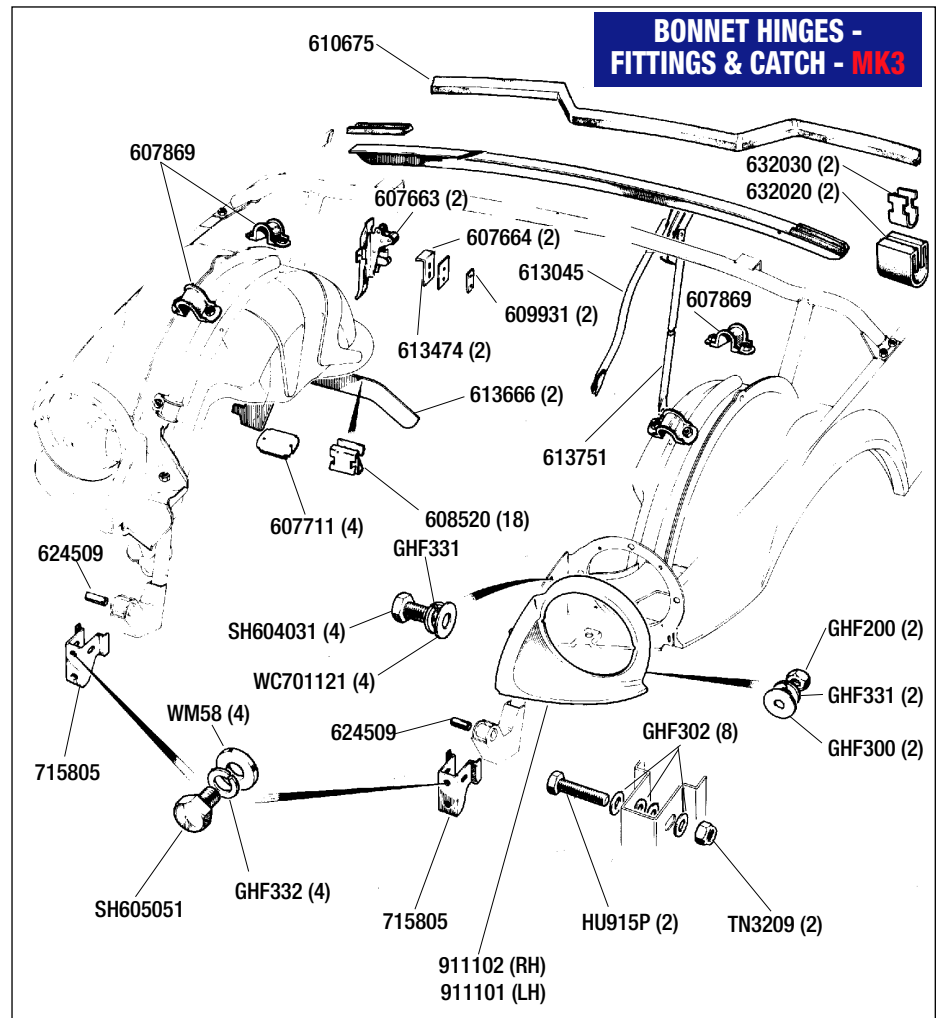
Bonnet catch-lever	(2)	607663
Fitting kit (Bonnet catch) (Not illustrated) <i>Includes all fixings required for both sides.</i>	(1)	607663FK
Bonnet lock (Not illustrated)	(1pr)	562116
Bonnet locks supplied in pairs only.		
Plate - Bonnet catch	(2)	607664
Washer (Bonnet catch plate) (Not illustrated)	(2)	613474
Plate - Bonnet catch (Tapped)	(2)	609931
Setscrew (Bonnet catch plates)	(4)	GHF117
Washer - Plain (For setscrew GHF117)	(4)	WP127
Washer - Locking (For setscrew GHF117) <i>Not illustrated.</i>	(4)	GHF321
Headlamp cowl;		
Right hand	(1)	911102
Left hand	(1)	911101
Nut (Headlamp cowl)	(2)	GHF200
Washer - Spring (For nut GHF200)	(2)	GHF331
Washer - Flat (For nut GHF200)	(2)	GHF300
Setscrew (Headlamp mounting panel)	(4)	SH604031
Washer - Spring (For setscrew SH604031)	(4)	GHF331
Washer - Flat (For setscrew SH604031)	(4)	WC701121
Bonnet hinge/pivot bracket	(2)	715805
Setscrew (Hinge bracket to body)	(4)	SH605051
Washer - Spring (For setscrew SH605051)	(4)	GHF332
Washer - Flat (For setscrew SH605051)	(4)	WM58
Tube/spacer (Bonnet pivot)	(2)	624509
Setscrew (Bonnet pivot)	(2)	HU915P
Washer - Flat (For setscrew HU915)	(8)	GHF302
Nut - Spring (For setscrew HU915)	(2)	TN3209
Seal (Wheel arch rear)	(2)	613666
Clip (Locates seal 613666)	(18)	608520
Clamp plate (Bonnet tube to wheelarch)	(4)	607869
Backing plate (Bonnet tube to wheelarch)	(4)	607711
Bonnet stay rod;		
Upper	(1)	613045
Lower	(1)	613751
Seal (Bonnet to bulkhead)	(1)	610675
Protector strip	(2)	632020
Retaining clip (For strip 632030)	(2)	632030

Mk3 FRONT LOWER VALANCE & GRILLE

Front lower valance		
Steel	(1)	715889
Fibreglass	(1)	715889FG
Front spoiler;		
<i>(Fitted from KE20000 - NOT illustrated)</i>		
Original - Plastic	(1)	GLZ608
Original - Fibreglass	(1)	GLZ608FG
Fitting kit for above	(1)	GLZ608FK
Front 1/4 valance;		
Right hand		
Steel	(1)	815392
Fibreglass	(1)	815392FG
Left hand		
Steel	(1)	815391
Fibreglass	(1)	815391FG
Fitting kit (1/4 valance) (Per side) <i>Includes 1 of each brackets (624419 & 624590), and all necessary fixings.</i>	(2)	RL1383
Seal (Valance to bonnet)	(2)	716200
Mounting brackets;		
Valance - Outer	(2)	624419
Valance & grille	(2)	624590
Grille - Outer	(2)	624593
Grille - Centre	(1)	624591
Setscrew	(10)	SH604051
Washer - Spring	(10)	GHF331
Washer - Plain	(10)	GHF300
Front grille	(1)	815026
Outer grille section;		
Right hand	(1)	715864
Left hand	(1)	715863
Screw (Grille centre)	(3)	512598
Washer - Spring	(3)	WL205
Washer - Flat	(3)	WP5
Setscrew (Centre valance & grille)	(4)	SH604051
Washer - Spring	(4)	GHF331
Washer - Plain	(4)	GHF300
Valance board (Engine bay);		
Right hand	(1)	905222
Left hand	(1)	910045
Clip	(2)	153227

Mk3 only, wiring harness to valance boards.

DESCRIPTION QTY REQ. PART NO. DESCRIPTION QTY REQ. PART NO.



Windscreen & Fittings

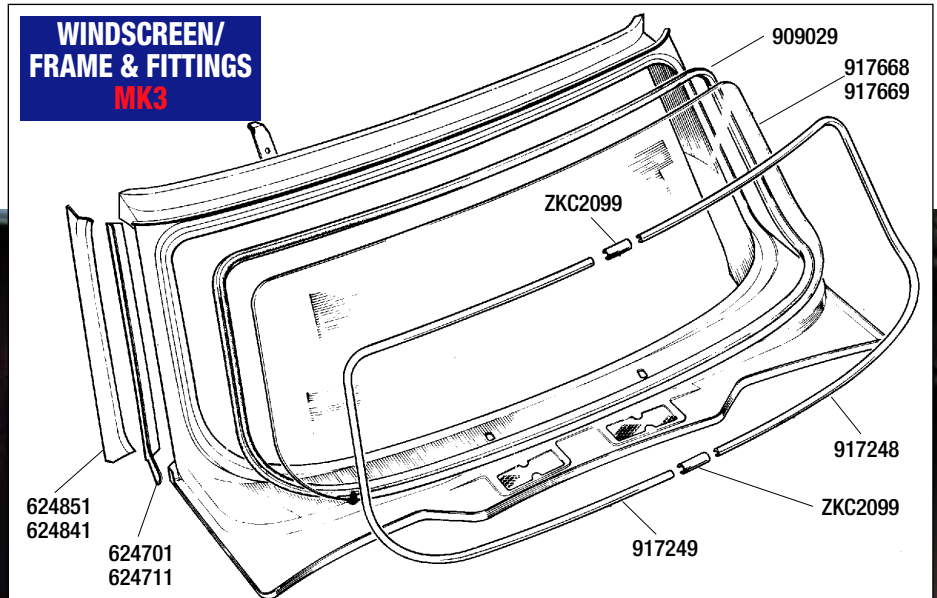
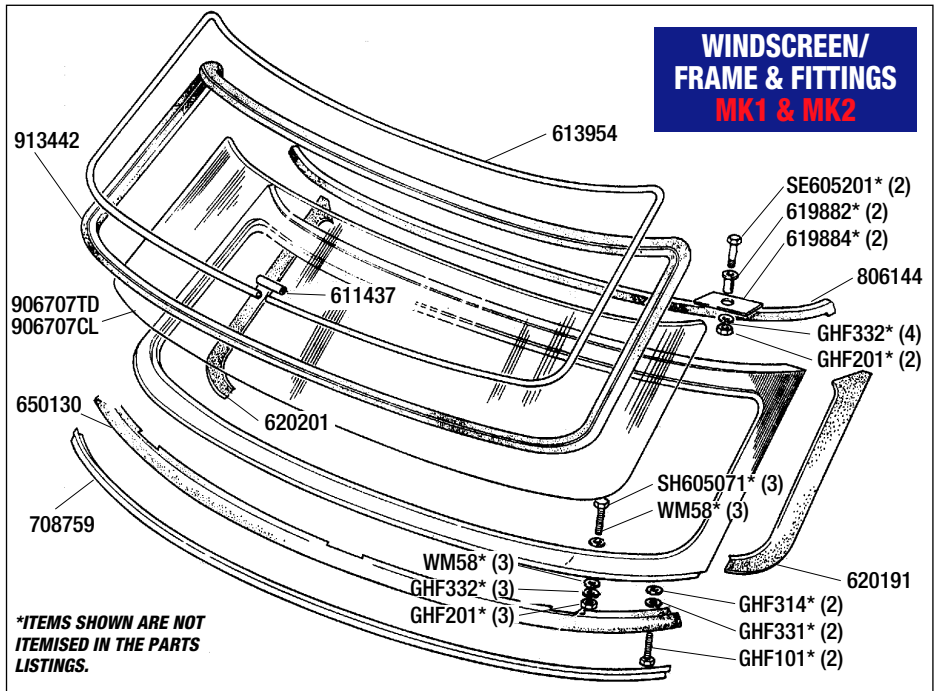
Mk1 & Mk2 models See also; 'A' Post & Dash Panels.

Mk1 & Mk2

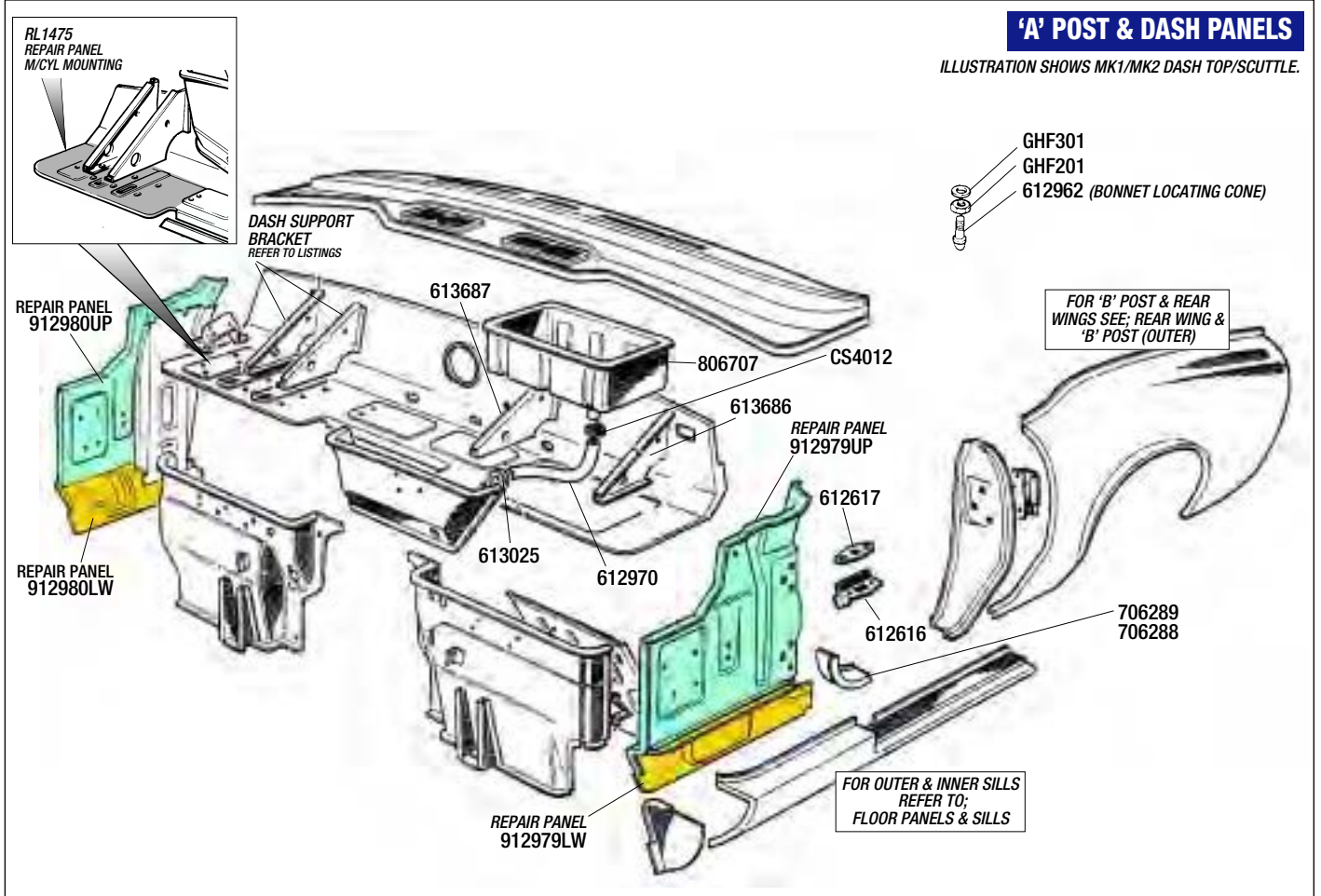
Windscreen - Laminated;		
Clear	(1)	906707C
Tinted	(1)	906707T
Windscreen seal/rubber	(1)	913442
Finisher <i>(Fits in seal 913442)</i>	(1)	613954
Clip - Finisher	(1)	611437
Seal <i>(Windscreen frame to body);</i>		
Upper <i>(Frame to roof panel)</i>	(1)	806144
Lower <i>(Frame to body)</i>	(1)	650130
Outer trim/finishers;		
Right hand	(1)	620201
Left hand	(1)	620191
Lower trim/finisher	(1)	708759

Mk3

Windscreen - Laminated;		
Clear	(1)	917668
Tinted	(1)	917669
Windscreen seal/rubber	(1)	909029
Finisher <i>(Fits in seal 909029);</i>		
Right hand	(1)	917249
Left hand	(1)	917248
Clip - Finisher	(2)	ZKC2099
Gutter (Drip channel);		
Right hand	(1)	624711
Left hand	(1)	624701
Trim/cover <i>(Black);</i>		
Right hand	(1)	624851
Left hand	(1)	624841



BODY PARTS



'A' Post & Dash Panels

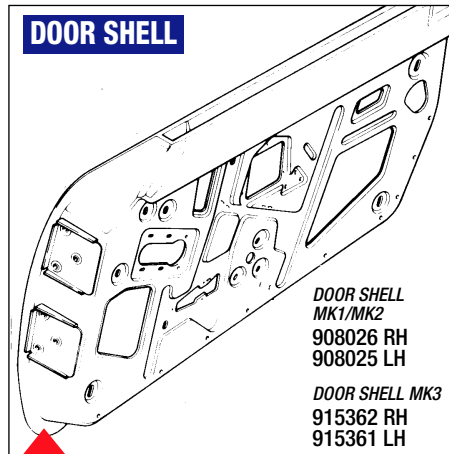
See also; Floor Panels & Sills.

ALL MODELS

'A' post repair panels;

Right hand -		
Upper (includes captive plates)	(1)	912980UP
Lower	(1)	912980LW
Left hand -		
Upper (includes captive plates)	(1)	912979UP
Lower	(1)	912979LW
Filler panel ('A' post lower);		
Right hand	(1)	706289
Left hand	(1)	706288
Master cylinder mounting		
repair panel	(1)	RL1475
Dash support bracket		
Right hand		
RHD	(1)	621707
LHD	(1)	613685
Left hand		
RHD	(1)	612981
LHD	(1)	621706
Support gusset (battery box /bulkhead)		
Right hand	(1)	613687
Left hand	(1)	613686
Locating cone/peg (Bonnet)	(2)	612962
Nut (For cone 612962)	(2)	GHF201
Washer (For cone 612962)	(2)	GHF301
Plate (Bonnet locating peg)	(2)	612617
Bracket (Bonnet locating plate)	(2)	612616
Battery box	(1)	806707
Mat - rubber (Battery seating)	(1)	613155
Drain hose	(1)	612970
Hose clip	(1)	CS4012
Grommet (Drain hose)	(1)	613025

DOOR SHELL



DOOR SHELL
MK1/MK2
908026 RH
908025 LH

DOOR SHELL MK3
915362 RH
915361 LH

Door Shell

Door shell;		
Mk1 & Mk2		
Right hand	(1)	908026
Left hand	(1)	908025
Mk3		
Right hand	(1)	915362
Left hand	(1)	915361
Door skin only (Not illustrated);		
Mk1 & Mk2		
Right hand	(1)	RL1369
Left hand	(1)	RL1368
Mk3		
Right hand	(1)	RL1129
Left hand	(1)	RL1128
Door bottom (Repair panel) (Not illustrated);		
All models		
Right hand	(1)	RL1253
Left hand	(1)	RL1252
Sound deadening pad	(a/r)	RB7145
Self adhesive (21"x8"). Fits on inside of door skin, use as required.		
Door gap adjusting tool	(1)	RX1543



DOOR MIRRORS - BLACK OR CHROME

Door Mirrors

Door mirror;		
Chrome		
Right hand (Complete)	(1)	GAM213
Left hand (Complete)	(1)	GAM214
Black		
Right hand (Complete)	(1)	GAM261
Left hand (Complete)	(1)	GAM262
'Bullet' door mirror (Complete) Rh & Lh	(2)	GAM105



BULLET STYLE
DOOR MIRRORS
GAM105

Door Glass & Fittings

Drop glass;		
Clear -		
Right hand	(1)	810042
Left hand	(1)	810041
Tinted -		
Right hand	(1)	825046
Left hand	(1)	825045
Outer waist seal (Top)	(2)	612792
<i>Requires slight trimming to fit.</i>		
Clip (Outer waist seal)	(14)	613169
Inner waist seal (Top)	(2)	612806
Clip (Inner waist seal)	(8)	GHF1582
Lift channel - Drop glass	(2)	713035
Rubber Seat (Lift channel)	(2)	617164
Guide - Drop glass (Rear);		
Right hand	(1)	710195
Left hand	(1)	710194
Channel Felt (Drop glass guide);		
Rear	(2)	710650
Front	(2)	710651

Door Checkstrap & Hinges

Door hinge assembly	(4)	607824
Hinge pin only	(4)	607823
Washer/gasket (Hinge to body)	(4)	610042
Setscrew (Hinge to door)	(8)	SH605071
Setscrew (Hinge to door)	(4)	SF605061
Setscrew (Hinge to body)	(12)	SH605071
Washer - Spring	(24)	GHF332
Door check strap	(2)	613024
Rivet (Check strap to body)	(2)	613239
Rubber seal (Check strap)	(2)	602821

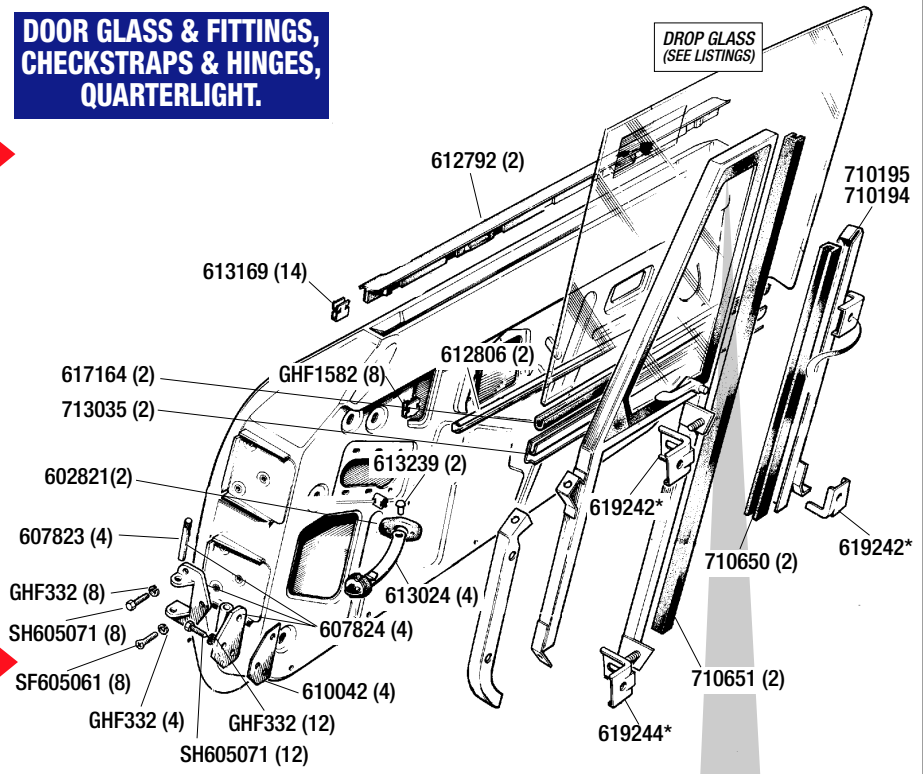
Quarterlight

Quarterlight assembly;		
Clear glass -		
Right hand	(1)	810313
Left hand	(1)	810312
Tinted glass -		
Right hand	(1)	820851
Left hand	(1)	820850
Pivot - Quarterlight top (Outer);		
Right hand	(1)	574093
Left hand	(1)	574092
Quarterlight glass only;		
Clear -		
Right hand	(1)	574064
Left hand	(1)	574063
Tinted -		
Right hand	(1)	820855
Left hand	(1)	820854
Rubber seal - Quarterlight glass;		
Right hand	(1)	574099
Left hand	(1)	574098
Cover - Top channel	(2)	609143

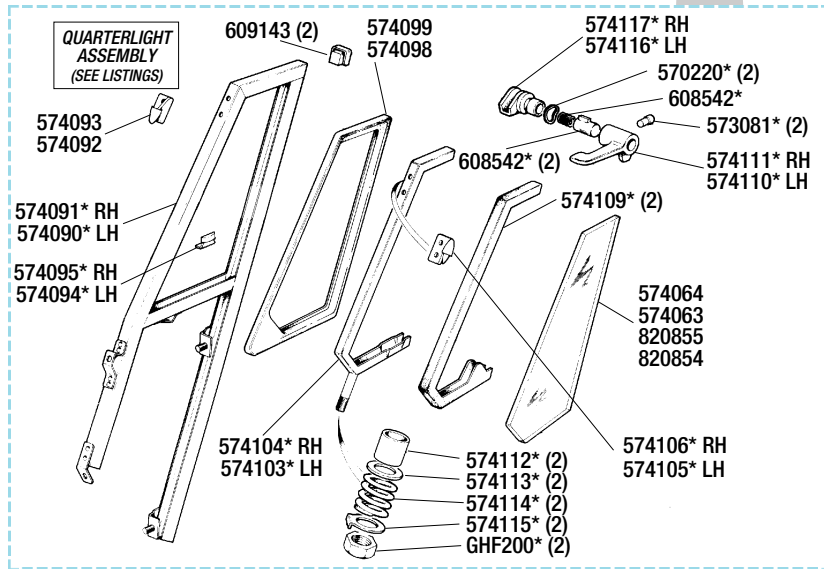
Door Aperture Seals

Seal - Door surround (Rubber/bristle);		
All colours	(2)	RX3002
<i>Colours available: Black, Beige, Blue, -Grey, Shadow Blue, Chestnut, Red & Tan.</i>		
Sill weatherseal	(2)	620656
'A' post weatherseal	(2)	630755

DOOR GLASS & FITTINGS, CHECKSTRAPS & HINGES, QUARTERLIGHT.

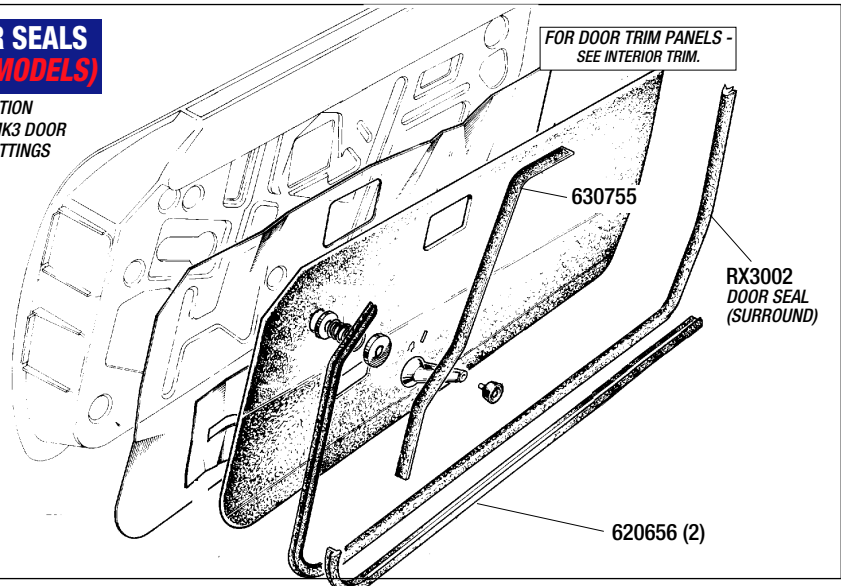


*ITEMS SHOWN ARE NOT ITEMISED IN THE PARTS LISTINGS.

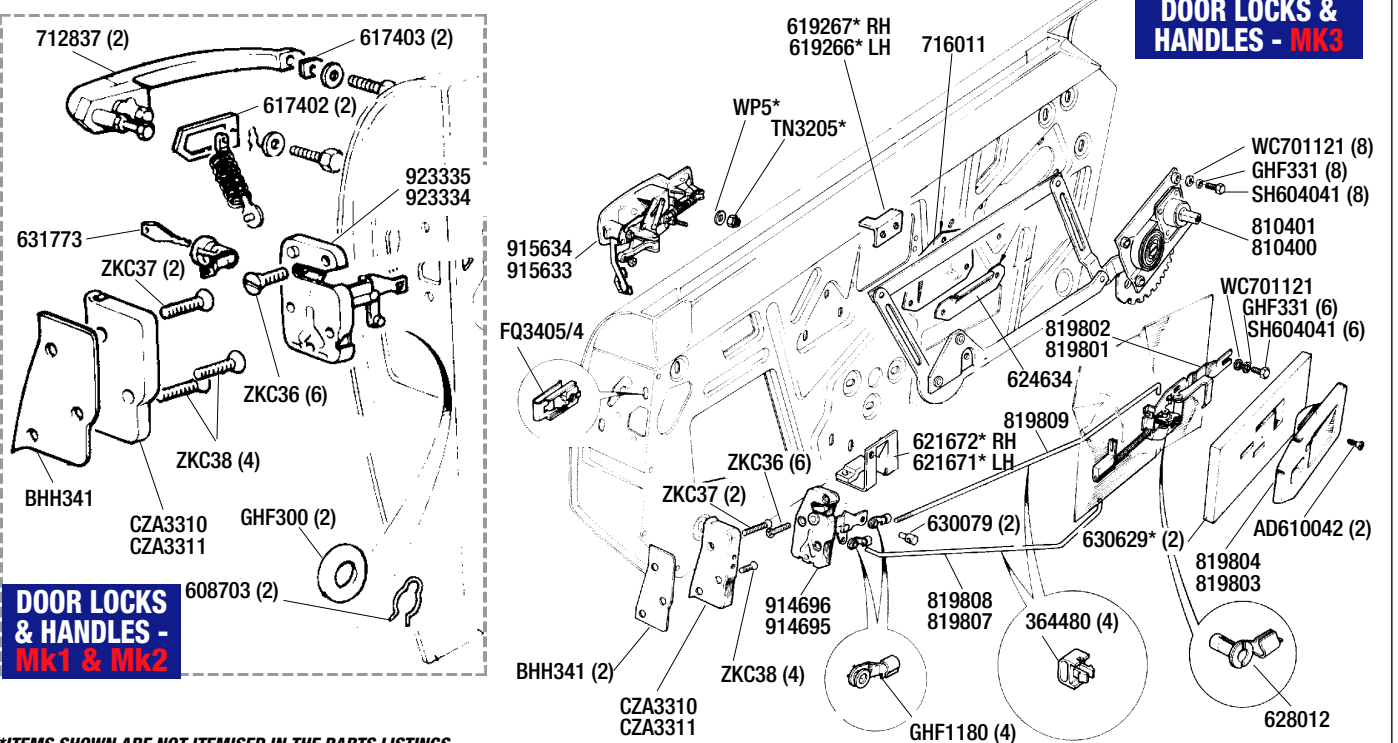


DOOR SEALS (ALL MODELS)

ILLUSTRATION SHOWS MK3 DOOR TRIM & FITTINGS



DOOR LOCKS & HANDLES - MK3



DOOR LOCKS & HANDLES - Mk1 & Mk2

**ITEMS SHOWN ARE NOT ITEMISED IN THE PARTS LISTINGS.*

Door Locks & Handles

Mk1 & Mk2

Door handle (Outer)	(2)	712837
Fitting kit for above	(2)	712837FK
Gasket (Handle to door);		
Large	(2)	617402
Small	(2)	617403
Door lock (Includes barrels & keys);		
Standard type (clip fix)	(1pr)	631773
Nut fix type	(1pr)	631773NF
Dead lock type	(1pr)	631773DL
<i>For improved security. Barrel type keys.</i>		
Lock (Rear of door - Outer);		
Mk1 (Early) (Not Illustrated) -		
Right hand	(1)	810292
Left hand	(1)	810291
Mk1 (Late) & Mk2 -		
Right hand	(1)	923335
Left hand	(1)	923334
Screw	(6)	ZKC36
Clip (Remote control link to lock)	(2)	608703
Washer (For clip 608703)	(2)	GHF300
Striker plate;		
Mk1 (Early) (Not Illustrated) -		
Right hand	(1)	618343
Left hand	(1)	618342
Mk1 (Late) & Mk2 -		
Right hand	(1)	CZA3310
Left hand	(1)	CZA3311
Shim/washer (Mk1 late & Mk2)	(2)	BHH341
<i>Sticker plate to body.</i>		
Screw (For shim/washer 621714)	(2)	ZKC37
Screw (For shim/washer 621714)	(4)	ZKC38

The following Mk1 & Mk2 parts are not illustrated.

Interior door lever/handle;		
Mk1	(2)	608454
Mk2	(2)	621770
Pin (Handle retaining)	(2)	600832
Escutcheon (Interior door handle);		
Mk1	(2)	650261
Mk2	(2)	623843
Conical Spring (Escutcheon)	(2)	603382
Door pull (Interior)	(2)	GLZ118

Mk3

Door handle assembly - Chrome (Outer);		
<i>Can be painted black if required.</i>		
Rh & Lh (Pair)	(1pr)	915633/4
Right hand only	(1)	915634
Left hand only	(1)	915633
Gasket - Door handle (NOT Illustrated)	(2)	577473A
Lock barrel & keys (NOT Illustrated)	(1pr)	576469
Lock (Rear of door - Outer);		
Right hand	(1)	914696
Left hand	(1)	914695
Screw	(6)	ZKC36
Striker plate;		
Right hand	(1)	CZA3310
Left hand	(1)	CZA3311
Shim/washer (Sticker plate to body)	(2)	BHH341
Screw	(2)	ZKC37
Screw	(4)	ZKC38
Captive nut/clip	(2)	FQ3405/4
Link/control rods;		
Lock/unlock	(2)	819809
Latch release -		
Right hand	(1)	819808
Left hand	(1)	819807
Clip/retainer (Control rods to lock)	(4)	GHF1180
Adjusting pin	(2)	630079

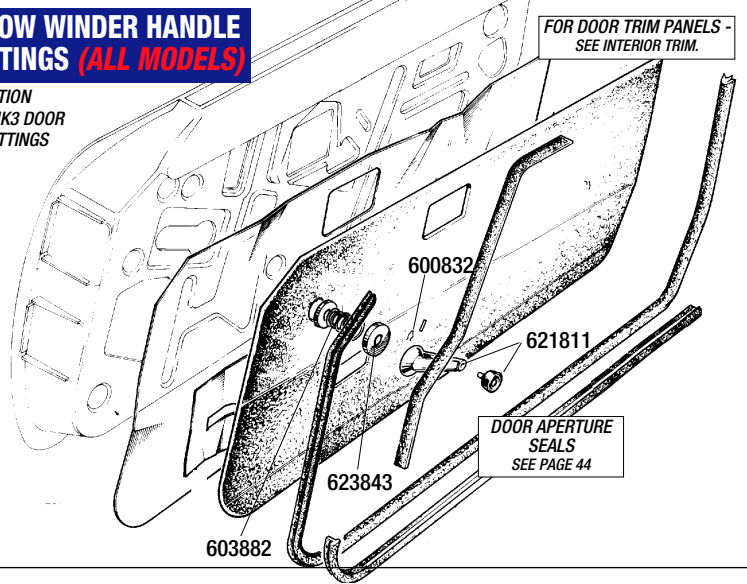
Clip - 'Anti-rattle'	(4)	364480
Bush/clip (Rod to handle)	(2)	628012
Interior door handle assembly;		
Right hand	(1)	819802
Left hand	(1)	819801
Setscrew (Interior/lever handle)	(6)	SH604041
Washer - Spring (For setscrew SH604041)	(6)	GHF331
Washer - Plain (For setscrew SH604041)	(6)	WC701121
Bezel/escutcheon (Door handle);		
Right hand	(1)	819804
Left hand	(1)	819803
Screw (Bezel)	(2)	AD610042
Moulding - Door pull	(2)	716011
Plate - Door pull	(2)	624634

WINDOW REGULATOR (ALL MODELS)

Window regulator;		
Right hand	(1)	810401
Left hand	(1)	810400
Setscrew (Window regulator)	(6)	SH604041
Washer - Spring (For setscrew SH604041)	(6)	GHF331
Washer - Plain (For setscrew SH604041)	(6)	WC701121
Window winder handle	(2)	621811
Escutcheon (behind handle)	(2)	623843
Conical spring	(2)	603382
Pin - handle retaining	(2)	600832

WINDOW WINDER HANDLE & FITTINGS (ALL MODELS)

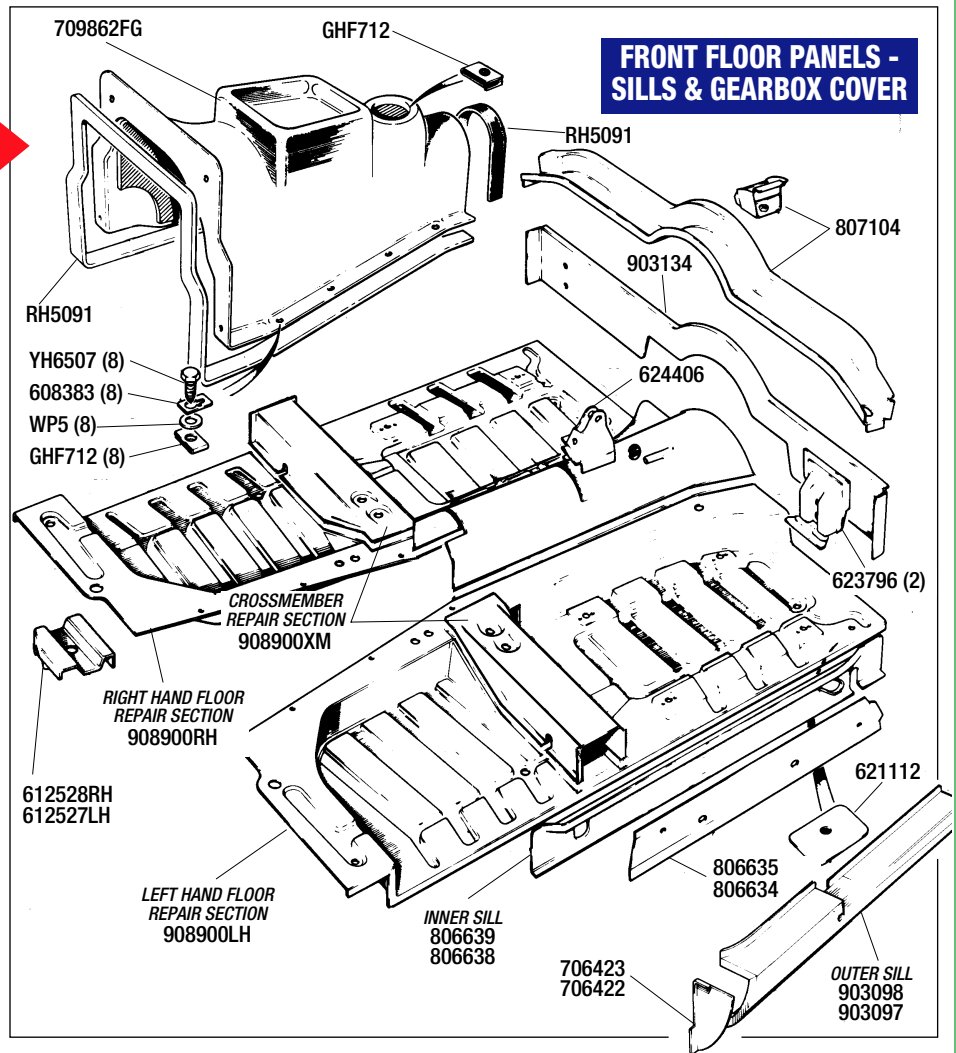
ILLUSTRATION SHOWS MK3 DOOR TRIM & FITTINGS



Floor Panels & Sills

ALL MODELS

Floor pan repair section;		
Right hand	(1)	908900RH
Left hand	(1)	908900LH
Crossmember repair section	(2)	908900XM
Dash mounting bracket - Lower;		
Right hand	(1)	612528
Left hand	(1)	612527
Heelboard	(1)	903134
Crossmember (Heelboard)	(1)	807104
<i>Heelboard to rear seat deck panel.</i>		
Bracket;		
Radius arm mounting	(2)	623796
Handbrake lever mounting	(1)	624406
Inner sill;		
Right hand	(1)	806639
Left hand	(1)	806638
Strengtheners;		
Right hand	(1)	806635
Left hand	(1)	806634
Reinforcement plate		
seat belt anchor - pair	(1)	621112
Full outer sill;		
Original -		
Right hand	(1)	903098
Left hand	(1)	903097
Reproduction -		
Right hand	(1)	903098P
Left hand	(1)	903097P
Filler panel - Sill;		
Right hand	(1)	706423
Left hand	(1)	706422
Gearbox cover		
Fibreglass	(1)	709862FG
Plastic	(1)	709862PL
Seal kit - tunnel cover	(1)	RH5091
Fitting kit - tunnel cover	(1)	709862FK
<i>Inc. items listed below.</i>		
Screw - Self tapping	(8)	YH6507
Plate	(8)	608383
Washer	(8)	WP5
Spire clip	(8)	GHF712



Rear Inner Wing & Inner Arches

Mk1 & Mk2

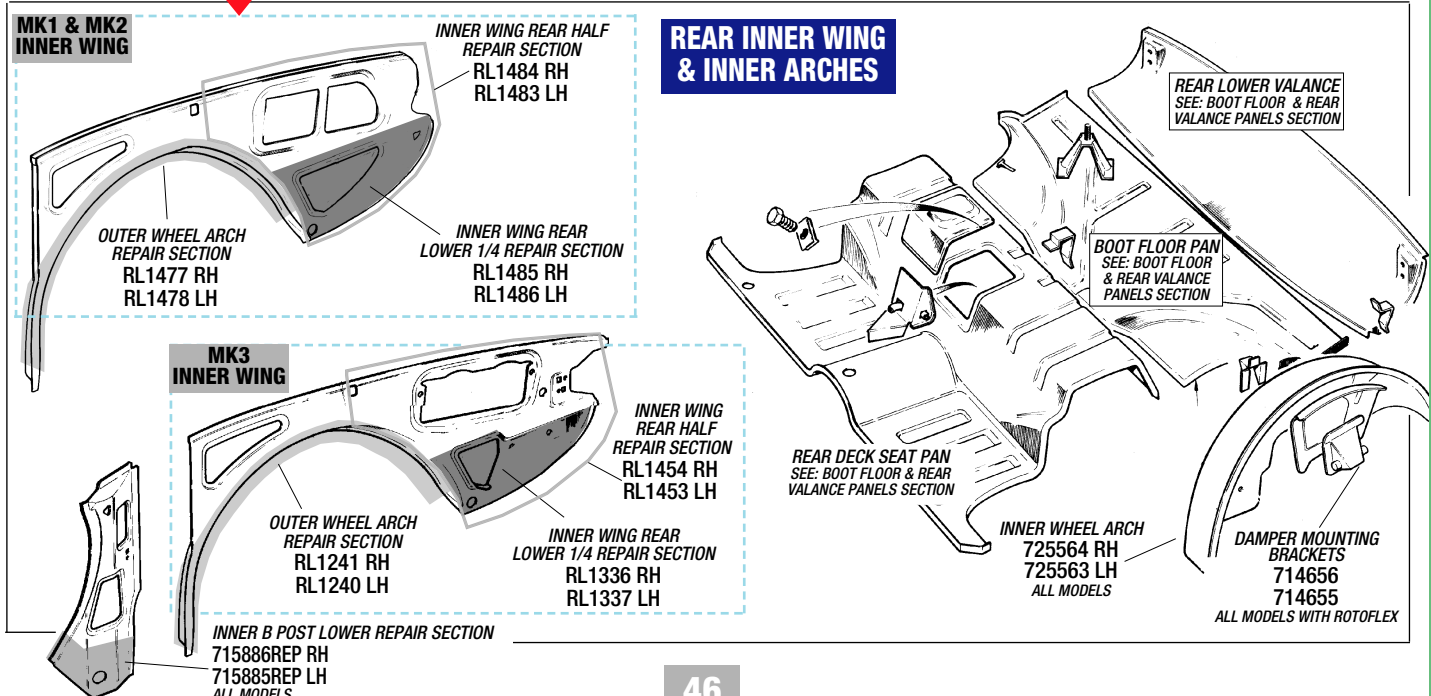
Outer arch repair section;		
<i>Part of arch from Inner to Outer wing.</i>		
Right hand	(1)	RL1477
Left hand	(1)	RL1478
Inner wing - Rear half repair section;		
Right hand	(1)	RL1484
Left hand	(1)	RL1483
Inner wing - Rear lower 1/4 repair section;		
Right hand	(1)	RL1485
Left hand	(1)	RL1486

Mk3

Outer arch repair section;		
<i>Part of arch from Inner to Outer wing.</i>		
Right hand	(1)	RL1241
Left hand	(1)	RL1240
Inner wing - Rear half repair section;		
Right hand	(1)	RL1454
Left hand	(1)	RL1453
Inner wing - Rear lower 1/4 repair section;		
Right hand	(1)	RL1336
Left hand	(1)	RL1337

ALL MODELS

Inner wheel arch (Inside luggage area);		
Right hand	(1)	725564
Left hand	(1)	725563
Bracket - Damper mounting;		
<i>Rotoflex models only.</i>		
Right hand	(1)	714656
Left hand	(1)	714655
Inner 'B' post lower repair section;		
Right hand	(1)	715886Rep
Left hand	(1)	715885Rep



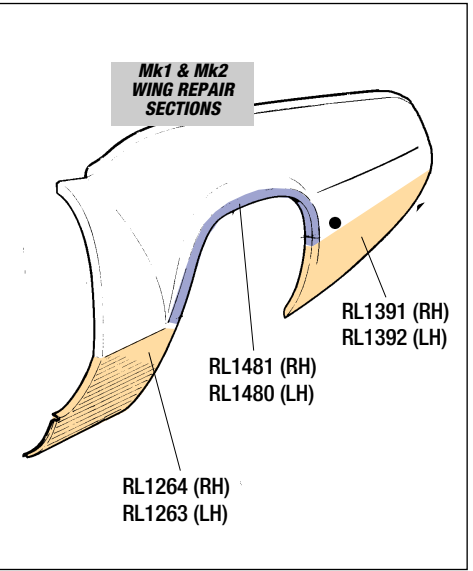
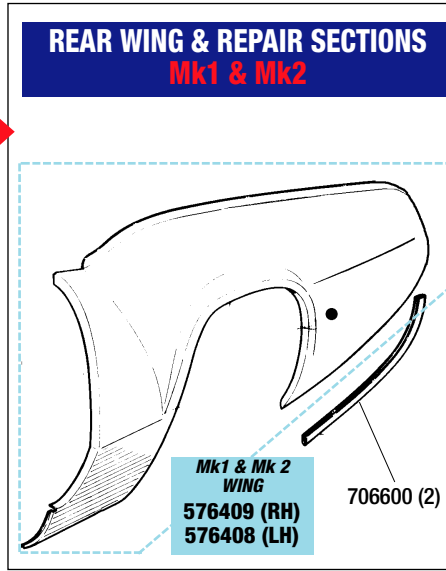
BODY PARTS

DESCRIPTION QTY REQ. PART NO. DESCRIPTION QTY REQ. PART NO. DESCRIPTION QTY REQ. PART NO.

Rear Wing & 'B' Post (Outer)

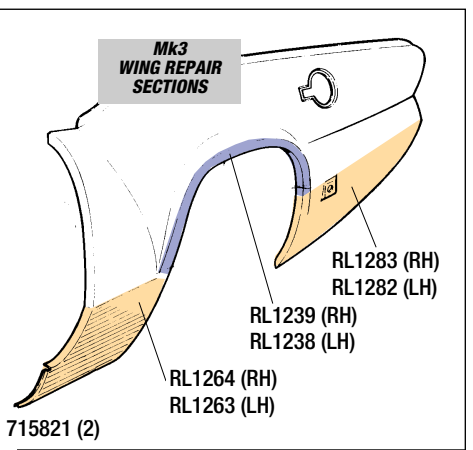
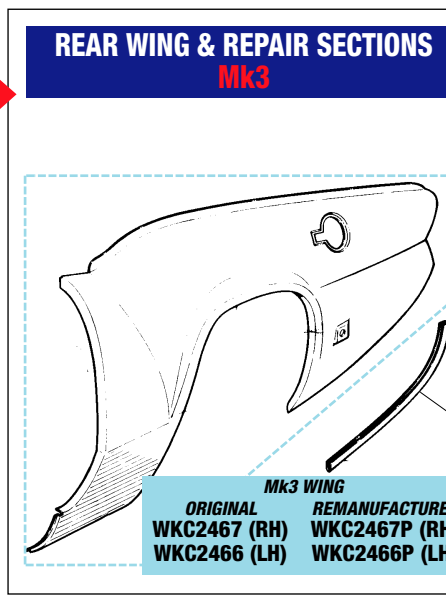
Mk1 & Mk2

Rear wing;		
Right hand	(1)	576409
Left hand	(1)	576408
Finisher - Wing lower	(2)	706600
Rear wing repair sections;		
Front lower section -		
Right hand	(1)	RL1264
Left hand	(1)	RL1263
Wheel arch (Outer) -		
Right hand	(1)	RL1481
Left hand	(1)	RL1480
Rear lower section -		
Right hand	(1)	RL1391
Left hand	(1)	RL1392
'B' post assembly;		
Right hand	(1)	813366
Left hand	(1)	813365



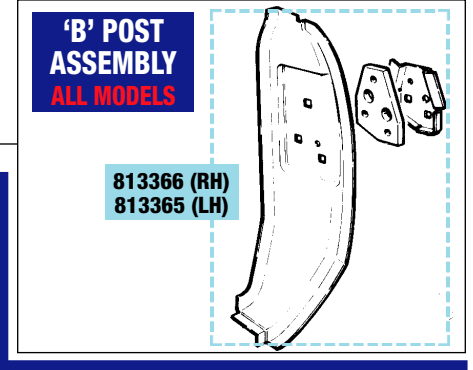
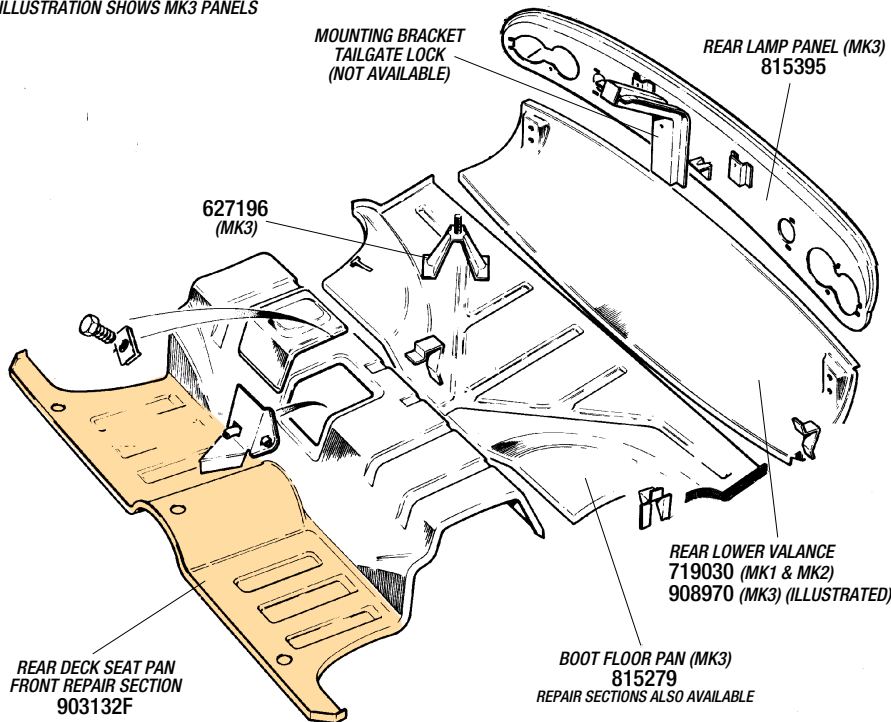
Mk3

Rear wing - Original;		
Right hand	(1)	WKC2467
Left hand	(1)	WKC2466
<i>*Requires modification for fuel filler aperture.</i>		
Rear wing - Remanufactured;		
Right hand	(1)	WKC2467P
Left hand	(1)	WKC2466P
<i>*Requires modification for fuel filler aperture.</i>		
Finisher - Wing lower	(2)	715821
Rear wing repair sections;		
Front lower section -		
Right hand	(1)	RL1264
Left hand	(1)	RL1263
Wheel arch (Outer) -		
Right hand	(1)	RL1239
Left hand	(1)	RL1238
Rear lower section -		
Right hand	(1)	RL1283
Left hand	(1)	RL1282
'B' post assembly -		
Right hand	(1)	813366
Left hand	(1)	813365



BOOT FLOOR & REAR VALANCE

ILLUSTRATION SHOWS MK3 PANELS



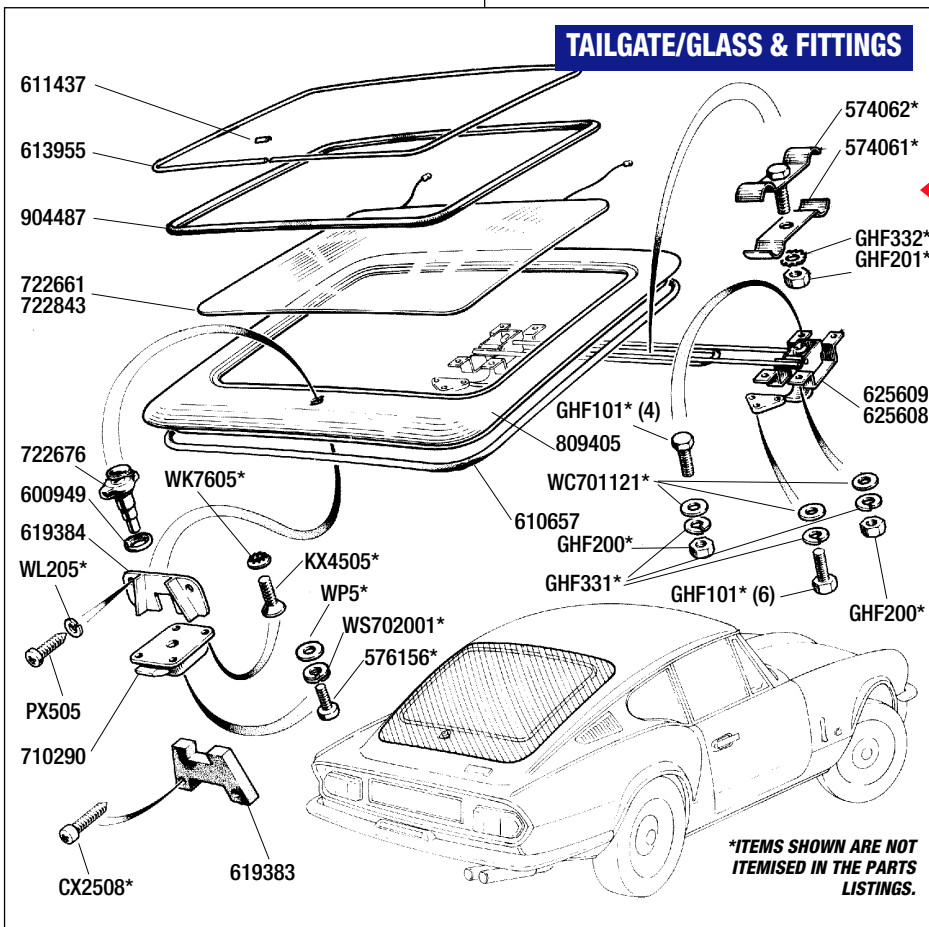
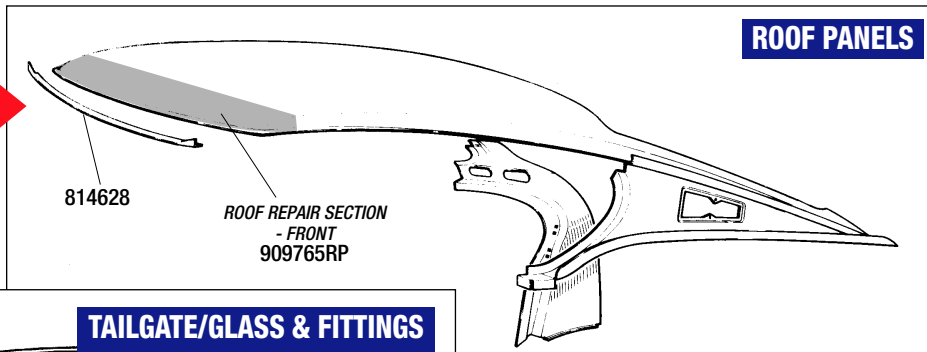
Boot Floor & Rear (Outer) Valance Panels

ALL MODELS

Boot floor (1 piece section) <i>Cut hole for fuel tank.</i>	(1)	815279
Boot floor repair panels;		
Right hand (NOT illustrated)	(1)	815279Rh
Left hand (NOT illustrated)	(1)	815279Lh
Rear lower outer valance;		
Mk1 & Mk2	(1)	719030
<i>Alternative parts, no lamp holes, modify to suit.</i>		
Mk3 (Illustrated)	(1)	908970
Rear lamp panel (Mk3 only)	(1)	815395
Sound deadening pad (Not Illustrated)	(a/r)	RB7145
<i>Self adhesive (21"x8"). Fit on inside of boot area, use as required.</i>		
Spare wheel retaining;		
Mk1 & Mk2 (Not Illustrated) -		
Hook/bolt (Upper)	(1)	650017
Hook/bolt (Lower)	(1)	618515
Clamping disc	(1)	650016
Mk3 - Bracket - Spare wheel	(1)	627196
Rear deck/seat pan front repair section	(1)	903132F

Roof Panel

Repair section - Roof front Finisher -	(1)	909765RP
Roof panel to windscreen	(1)	814628



Tailgate/Glass & Fittings

Tailgate shell	(1)	809405
Weatherseal (Tailgate to body)	(1)	610657
Glass (Heated);		
Clear	(1)	722661
Tinted	(1)	722843
Weatherseal (Glass to Tailgate)	(1)	904487
Finisher	(1)	613955
Clip - Finisher	(1)	611437
Hinge assembly;		
Mk1 (to KC50000)		
Right hand	(1)	709301
Left hand	(1)	709300
Mk2 (KC50001 on) & Mk3		
Right hand	(1)	625609
Left hand	(1)	625608
Turnbutton/lock & keys (Mk3)	(1)	722676
Gasket (Turnbutton to tailgate) (Mk3)	(1)	600949
Lock/catch (Tailgate)	(1)	710290
Striker block	(1)	619383
Striker plate guide	(1)	619384
Handle assembly (Mk1 & Mk2)	(1)	710497

Not illustrated

Rear Quarterlight

Not illustrated.

Quarterlight frame & glass		
Mk1 & Mk2		
Right hand	(1)	574121
Left hand	(1)	574120
Mk3 Clear glass		
Right hand	(1)	814750
Left hand	(1)	814749
Mk3 Tinted glass		
Right hand	(1)	821058
Left hand	(1)	821057
Quarterlight rubber seal	(2)	RX3007
<i>Rubber/furflex. Replacement type aperture seal supplied in a variety of colours (subject to availability). See price guide.</i>		
Quarterlight handle		
Mk1 & Mk2		
Right hand	(1)	574131
Left hand	(1)	574130
Mk3		
Right hand	(1)	624372
Left hand	(1)	624371



OVERSILL TRIM KIT (ALL MODELS) - RL1232
KIT INCLUDES PAIR OF STAINLESS STEEL
SILL COVERS AND RETAINING STRIPS.



EXTERIOR TRIM & BADGES

DESCRIPTION QTY REQ. PART NO.

Body Mouldings/ Trim & Badges

Mk1

Wing finisher (Chrome);		
Front wing	(2)	710086
Rear wing - Right hand	(1)	710687
Left hand	(1)	710686
Fasteners (Wing finishers)	(40)	614107
'Triumph' letter set	(2)	RL1402
<i>For Tailgate & Bonnet. Each set includes 7 letters & fasteners.</i>		
Letter 'T'	(2)	703862
Letter 'R'	(2)	703863
Letter 'I'	(2)	703864
Letter 'U'	(2)	703865
Letter 'M'	(2)	703866
Letter 'P'	(2)	703867
Letter 'H'	(2)	703868
'GT6' Tailgate badge	(1)	619860
Fasteners (Letters/badges)	(a/r)	GHF1532

The following parts are not illustrated - See Mk2 and/or Mk3 drawings.

'Triumph' bonnet badge	(1)	608380
Sill finisher - Lower (Chrome);		
Right hand	(1)	712986
Left hand	(1)	712985
Fasteners (For lower sill finisher)	(16)	621771

Mk2

Wing finisher (Chrome);		
Front wing	(2)	706556
Rear wing	(2)	707319
Fasteners (Wing finishers);		
Front wing finisher	(32)	613766
Front wing finisher (Rear)	(4)	613886
Rear wing finisher	(32)	613766
Rear wing finisher (Rear)	(4)	613886
'GT6 Mk 2' Bonnet badge	(1)	623873
'Triumph' Rear panel badge	(1)	622260
'GT6 Mk 2' Rear panel badge	(1)	623872
Fasteners (Badges)	(a/r)	GHF1532
Sill finisher - Lower (Chrome);		
Right hand	(1)	712986
Left hand	(1)	712985
Fasteners (For lower sill finishers)	(16)	621771

Mk3

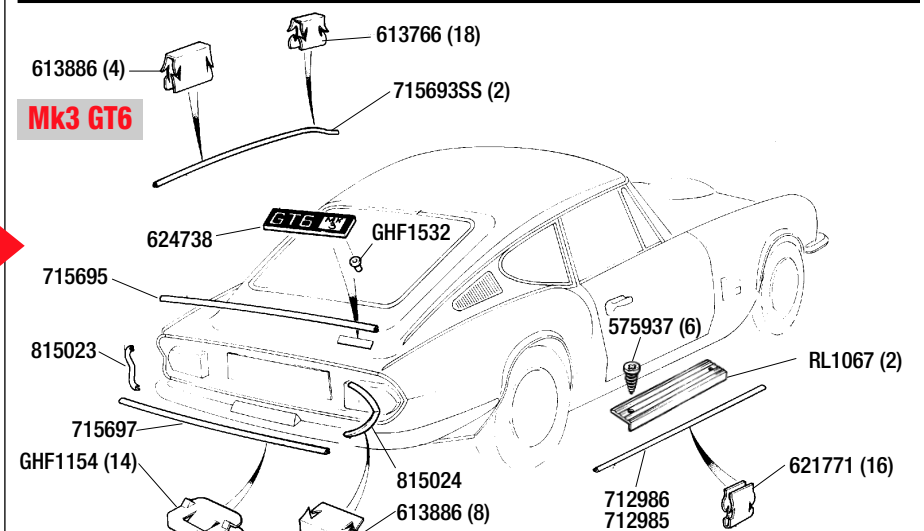
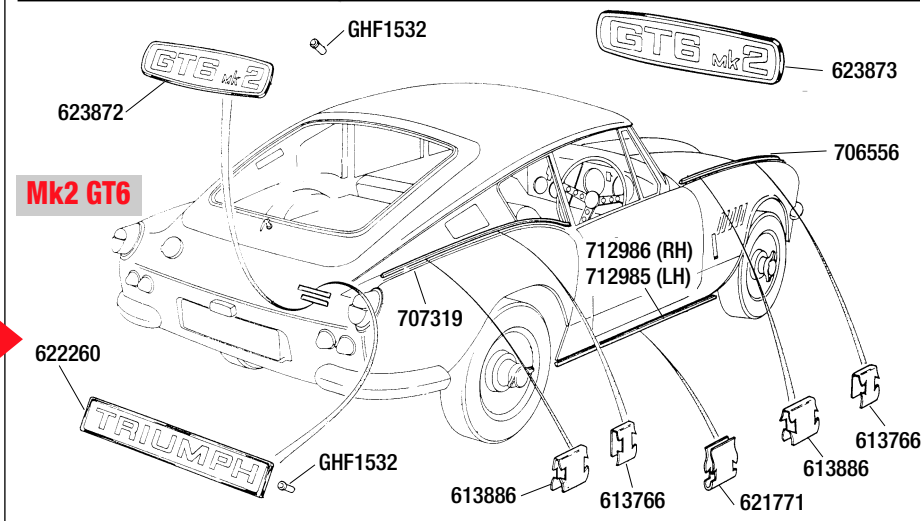
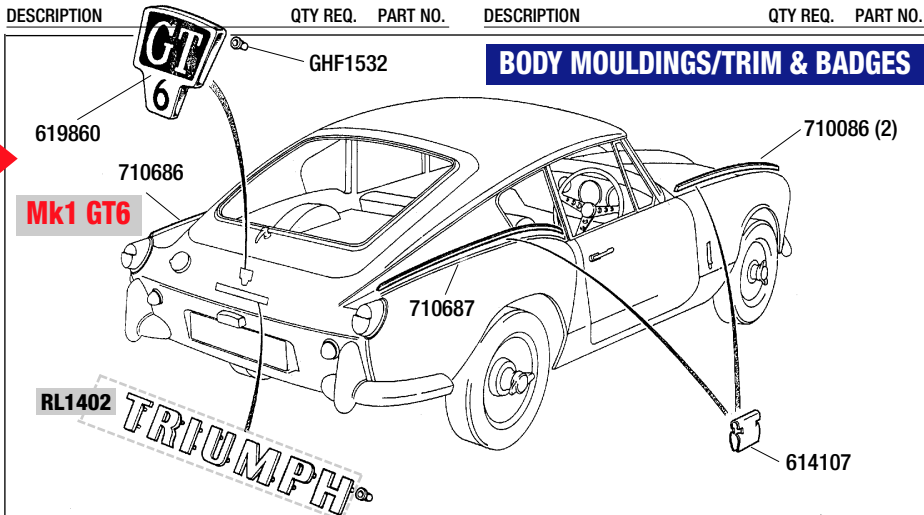
Rear wing finisher		
Stainless steel	(2)	715693SS
Black	(2)	715693B
Fasteners (Wing finishers);		
Rear finisher	(18)	613766
Rear finisher (Rear)	(4)	613886
'GT6 Mk 3' Rear panel badge	(1)	624738
Fasteners (Badges)	(a/r)	GHF1532
Sill finisher - Lower (Chrome);		
Right hand	(1)	712986
Left hand	(1)	712985
Fasteners (For lower sill finishers)	(16)	621771
Tread/kick plate (Sill top) - with 'Triumph' logo	(1pr)	RL1067
Screw (Treadplate)	(6)	575937
Rear finishers;		
Upper	(1)	715695
Lower	(1)	715697
'Horseshoe' - Right hand	(1)	815024
Left hand	(1)	815023
Fasteners (For rear finishers);		
for Upper/lower finishers	(14)	GHF1154
for 'Horseshoes'	(8)	613886

The following parts are not illustrated.

'GT6 Mk 3' Bonnet badge	(1)	624737
'BL' blue badge (Front wing side)	(2)	725525
Fasteners (Badges)	(a/r)	GHF1532
'Triumph' badge complete	(1)	626859
<i>All UK models & USA to KF20000. See illustration in ELECTRICAL section. Fitted to number plate lamp.</i>		
Retaining clip	(3)	FR1202
<i>For badge 626859 to chrome cover.</i>		
'Triumph' badge insert only	(1)	626859S
<i>Self adhesive.</i>		

DESCRIPTION QTY REQ. PART NO. DESCRIPTION QTY REQ. PART NO.

BODY MOULDINGS/TRIM & BADGES



'Triumph Laurel' leaf transfer (Optional fitting);

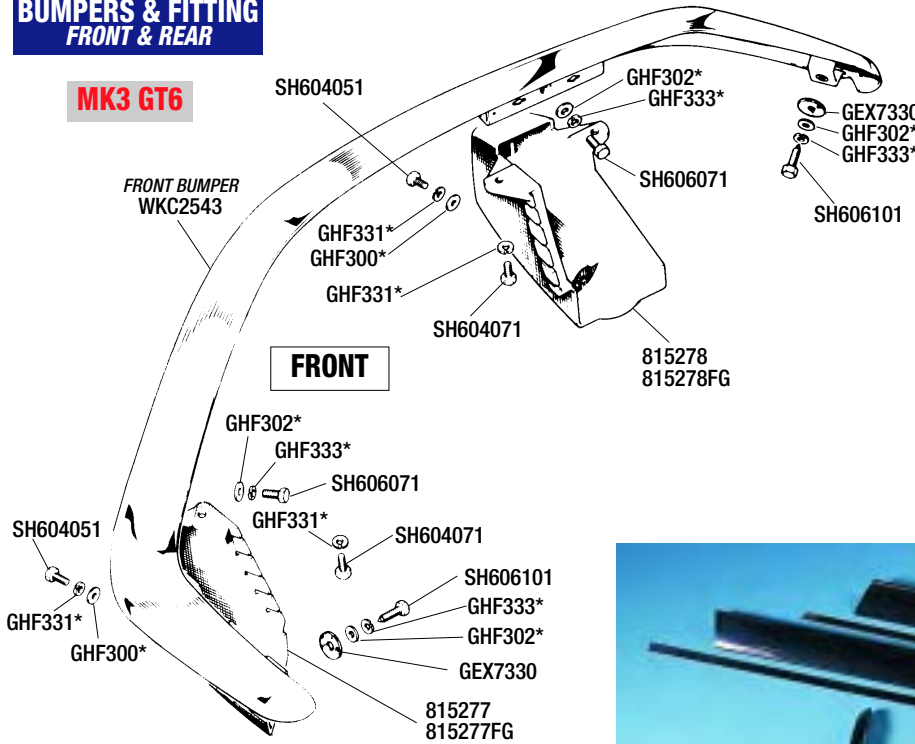
Large - 200mm dia		
Black	(a/r)	XKC3700
Gold	(a/r)	XKC3702
Silver	(a/r)	XKC3701
Red	(a/r)	RB7222
Small - 50mm dia		
Black	(a/r)	RB7178B
Gold	(a/r)	RB7178G
Silver	(a/r)	RB7178S



Union Jack badge		
Enamel (30mm x 50mm)	(a/r)	RX1299
Stick-on type	(a/r)	RX1299S
TSOA Grille badge	(a/r)	HMP121001

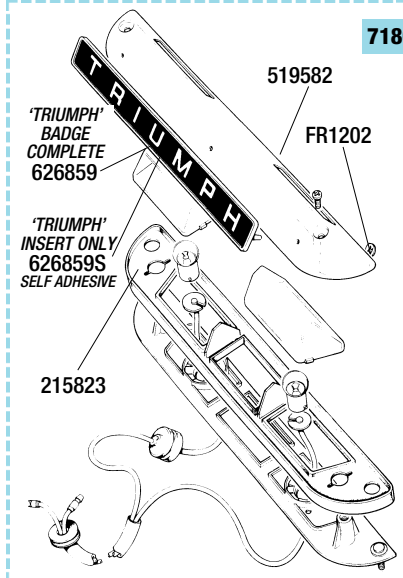
BUMPERS & FITTING FRONT & REAR

Mk3 GT6



FRONT

718028



REAR



Bumpers & Fittings (Front & Rear)

Mk3

Front bumper bar Underider;	(1)	WKC2543
Right hand - Original Fibreglass	(1)	815278
Left hand - Original Fibreglass	(1)	815277FG
Setscrew; Underider to bumper	(4)	SH604071
Underider to chassis	(2)	SH604051
Bumper mounting	(2)	SH606071
Bumper corner mounting	(2)	SH606101
Rubber washer (Bumper to body)	(2)	GEX7330
Fitting kit - Front bumper	(1)	RG1266

Includes ALL necessary bolts, nuts, washers & grommets.

Rear bumper - UK Models	(1)	914698
Bumper mounting bracket - Inner;		
Right hand	(1)	715702
Left hand	(1)	715701
Bumper mounting bracket - Outer	(2)	715706
Rubber washer (Bumper to bracket)	(2)	GEX7330
Setscrew; Bumper to bracket	(2)	SH606121
Bumper to bracket	(2)	GHF105
Bolt (Bumper to wing)	(2)	GHF120
Rubber washer (Bumper to wing)	(2)	GEX7330
Setscrew (Bracket to boot)	(2)	GHF105
Fitting kit - Rear bumper	(1)	RG1267

Includes ALL necessary bolts, nuts, washers & grommets. Not Illustrated

No. plate lamp assembly (Inc badge)	(1)	718028
<i>Fitted to all UK models & USA models to KF20000. Refer to ELECTRICAL section for bulbs, lenses etc.</i>		
Chrome cover only	(1)	519582
Rubber gasket only (Cover to lamp base)	(1)	215823
'Triumph' badge complete	(1)	626859
<i>Not Illustrated</i>		
Retaining clip	(3)	FR1202
<i>For badge 626859 to chrome cover.</i>		
'Triumph' badge insert only (Self adhesive)	(1)	626859S
<i>Not Illustrated</i>		
Nut (Number plate lamp fixing)	(2)	HN2005
Washer - Spring (For nut HN2005)	(2)	WL205
Washer - Flat (For nut HN2005)	(2)	WC106041
<i>Not Illustrated</i>		

**ITEMS SHOWN ARE NOT ITEMISED IN THE PARTS LISTINGS.*

UK SEAT COVER KITS UK

UK SPECIFICATION VEHICLES

Seat cover kits are sold in vehicle sets only and include 2 cushions (base) & 2 squabs (back).
Seat foams are available separately.

Mk1 GT6 (1966 - 1968) - Mk2 GT6 (1968 - 1969) (To KC75030)
Original seat spec; Non-Reclining, Non-Headrest, Low Back, Seat Tilts, Vinyl with Plain Flutes.

REPLACEMENT TRIM KIT SPECIFICATION
Vinyl & Leather with Plain Flutes.

VINYL SEAT COVER KIT (Vehicle Set) All colours (1) RG1181 <i>Trim type: Plain Flutes (All colours)</i> <i>Colours available: Black, Matador Red, Midnight Blue, Shadow Blue & Light Tan.</i>
LEATHER SEAT COVER KIT (Vehicle Set) All colours (1) RG1200 <i>Trim type: Plain Flutes (All colours)</i> <i>Colours available: Black, Matador Red & Midnight Blue.</i>
SEAT FOAMS (Vehicle set) Cushion & squab (1) RG1201

Mk2 GT6 (1969 - 1970) (From KC75031)
Original seat spec; Reclining, Non-Headrest, Low Back, Non-Tilt, Vinyl with Perforated Flutes.

REPLACEMENT TRIM KIT SPECIFICATION;
Vinyl with Perforated & Plain Flutes and
Leather with Plain Flutes.

VINYL SEAT COVER KIT (Vehicle Set) All colours (1) RG1204 <i>Trim type: Perforated Flutes (Black) -- Plain Flutes (Other Colours)</i> <i>Colours available: Black, Matador Red, Midnight Blue, Shadow Blue & Light Tan.</i>
LEATHER SEAT COVER KIT (Vehicle Set) All colours (1) RG1206 <i>Trim type: Plain Flutes (All Colours)</i> <i>Colours available: Black, Matador Red, Midnight Blue, Shadow Blue & Light Tan</i>
SEAT FOAMS (Vehicle set) Cushion & squab (1) RG1207

Mk3 GT6 (1971 - Feb' 1973) (To KE20000)
Original seat spec: Reclining, Non-Headrest, Low Back, Seat Tilts, Vinyl Perforated Flutes.

REPLACEMENT TRIM KIT SPECIFICATION
Vinyl with Perforated & Plain Flutes and
Leather with Plain Flutes.

VINYL SEAT COVER KIT (Vehicle Set); All colours (1) RG1220 <i>Trim type: Perforated Flutes (Black) - Plain Flutes (Other Colours)</i> <i>Colours available: Black, Matador Red, Shadow Blue, & New Tan.</i>
LEATHER SEAT COVER KIT (Vehicle Set) All colours (1) RG1222 <i>Trim type: Plain Flutes (All Colours)</i> <i>Colours available: Black, Matador Red, & New Tan.</i>
SEAT FOAMS;
Cushion (Seat base) -
Right hand (1) 912986
Left hand (1) 912985
Squab (Seat back) Rh & Lh (2) RL1533

Mk3 GT6 (Feb' 1973 Onwards) (From KE/KF20001)
Original seat spec; Reclining, Headrest, Low Back, Seat Tilts, Cloth Face with Vinyl.

REPLACEMENT TRIM KIT SPECIFICATION
Cloth Face with Vinyl and Leather with Plain Flutes.

CLOTH FACE SEAT COVER KIT (Vehicle Set) All colours (1) RG1232 <i>Trim type: Cloth faced with vinyl (All Colours)</i> <i>Colours available: Black & New Tan.</i>
LEATHER SEAT COVER KIT (Vehicle Set) All colours (1) RG1234 <i>Note; Headrest covers are supplied with these kits.</i> <i>Trim type: Plain flutes (All Colours)</i> <i>Colours available: Black, Matador Red, New Tan, Shadow Blue and Biscuit (ask for colour sample).</i>
SEAT FOAMS;
Cushion (Seat base) -
Right hand (1) 912986
Left hand (1) 912985
Squab (Seat back) Rh & Lh (2) RL1533

SEAT STRAP KITS - UK & USA spec

Mk1 & Mk2 (Per seat)
Cushion (Seat base) Rh & Lh (2) RG1202
Squab (Seat back) Rh & Lh (2) RG1237
Mk3 (Per seat)
Squab (Seat back) Rh & Lh (2) RG1236

TRIM RETAINING CLIPS

We stock a full range of seat trim retaining clips, edge clips & hog rings.
Please call with your requirements stating year & type of seats fitted.

TRIM ADHESIVE

Vinyl trim/carpet adhesive
Tin (1 litre) (A/R) RX1353
Aerosol (370g) (A/R) RX1353A

USA SEAT COVER KITS USA

USA SPECIFICATION VEHICLES

Seat cover kits are sold in vehicle sets only and include 2 cushions (base) & 2 squabs (back).
Seat foams are available separately.

Mk1 GT6 (1966 - 1968)
Original seat spec; Non-Reclining, Non-Headrest, Low Back, Seat Tilts, Vinyl with Plain Flutes.

REPLACEMENT TRIM KIT SPECIFICATION
Vinyl & Leather with Plain Flutes.

VINYL SEAT COVER KIT (Vehicle Set) All colours (1) RG1181 <i>Trim type: Plain Flutes (All colours)</i> <i>Colours available: Black, Matador Red, Midnight Blue, Shadow Blue, & Light Tan.</i>
LEATHER SEAT COVER KIT (Vehicle Set) All colours (1) RG1200 <i>Trim type: Plain Flutes (All colours). Colours available: Black, Matador Red, & Midnight Blue.</i>
SEAT FOAMS (Vehicle set) Cushion & squab (1) RG1201

Mk2 GT6 (1968 - 1969) (To KC75030)
Original spec; Non-Reclining, High Back, Seat Tilts, Vinyl with Diamond Flutes.

REPLACEMENT TRIM KIT SPECIFICATION
Vinyl with Diamond Pattern and Leather with Plain Flutes.

VINYL SEAT COVER KIT (Vehicle Set) All colours (1) RG1210 <i>Trim type: Diamond pattern (All colours)</i> <i>Colours available: Black, Matador Red, Midnight Blue, Shadow Blue & Light Tan.</i>
LEATHER SEAT COVER KIT (Vehicle Set) All colours (1) RG1212 <i>Trim type: Plain flutes (All colours). Colours available: Black, Matador Red, & Midnight Blue.</i>
SEAT FOAMS (Vehicle set) Cushion & squab (1) RG1213

Mk2 GT6 (1969 - 1970) - USA Only (From KC75031)
Original Spec; Reclining, High Back, Non-Tilt, Vinyl with Perforated Flutes.

REPLACEMENT TRIM KIT SPECIFICATION
Vinyl with Perforated Flutes and Leather with Plain Flutes.

VINYL SEAT COVER KIT (Vehicle Set) All colours (1) RG1214 <i>Trim type: Perforated Flutes (Black) - Plain Flutes (Other Colours).</i> <i>Colours available: Black, Matador Red, Midnight Blue, Shadow Blue & Light Tan.</i>
LEATHER SEAT COVER KIT (Vehicle Set) All colours (1) RG1216 <i>Trim type: Plain Flutes (All Colours). Colours available: Black, Matador Red & Midnight Blue.</i>
SEAT FOAMS (Vehicle set) Cushion & squab (1) RG1217

Mk3 GT6 (1971 - Feb' 1973) - USA Only (To KF20,000)
Original Spec; Reclining, High Back, Seat Tilts, Vinyl with Perforated Flutes.

REPLACEMENT TRIM KIT SPECIFICATION
Vinyl with Perforated & Plain Flutes and
Leather with Plain Flutes.

VINYL SEAT COVER KIT (Vehicle Set) All colours (1) RG1226 <i>Trim type: Perforated Flutes (Black) - Plain Flutes (Other Colours).</i> <i>Colours available: Black, Matador Red, Shadow Blue, New Tan, Beige & Chestnut.</i>
LEATHER SEAT COVER KIT (Vehicle Set) All colours (1) RG1228 <i>Trim type: Plain Flutes (All Colours). Colours available: Black, Matador Red & New Tan.</i>
SEAT FOAMS;
Cushion (Seat base) Rh (1) 912986
Cushion (Seat base) Lh (1) 912985
Squab (Seat back) Rh & Lh (2) RG1239

Mk3 GT6 (Feb' 1973 Onwards) (From KE/KF20001)
Original Spec; Reclining, Headrest, Low Back, Seat Tilts, Cloth Face with Vinyl.

REPLACEMENT TRIM KIT SPECIFICATION;
Cloth Face with Vinyl and Leather with Plain Flutes.

CLOTH FACE SEAT COVER KIT (Vehicle Set) All colours (1) RG1232 <i>Trim type: Cloth faced with vinyl (All Colours). Colours available: Black & New Tan.</i>
LEATHER SEAT COVER KIT (Vehicle Set) All colours (1) RG1234* <i>Note; Headrest covers are supplied with these kits.</i> <i>Trim type: Plain flutes (All Colours).</i> <i>Colours available: Black, Matador Red, New Tan, Shadow Blue & Biscuit (ask for colour sample).</i>
SEAT FOAMS;
Cushion (Seat base) Rh (1) 912986
Cushion (Seat base) Lh (1) 912985
Squab (Seat back) Rh & Lh (2) RL1533

OCCASIONAL REAR SEAT SQUAB Mk3

<i>Limited availability.</i>
Squab seat assy - red (ribbed) vinyl (1) 916722
<i>Wheel arch brackets not included.</i>



Door Trim Panels

NOTE: The GT6 had a 'Suedette' kick pad (colour matched to the door trim) on the bottom of the door trim panel. However, due to manufacturing restrictions all our GT6 door trim panels have Black kick pads, and are only supplied in PAIRS.
NB: The plastic chrome finisher strip is no longer available.

- Door trim panel (Pair);
- | | | |
|---|-------|---------------|
| MK1 & MK2 | (1pr) | RG1166 |
| <i>Colours available: Black, Matador Red, Midnight Blue, Shadow Blue & Light Tan.</i> | | |
| MK3 | (1pr) | RG1102 |
| <i>Colours available: Black, Matador Red, Shadow Blue, Chestnut & New Tan.</i> | | |
| <i>NOTE: Matador Red to KE/KF20000 - Chestnut from KE/KF20001.</i> | | |
- Door top capping (Black) All models;
- | | | |
|------------|-----|---------------|
| Right hand | (1) | 727591 |
| Left hand | (1) | 727581 |
- | | | |
|--|------|---------------|
| Door trim panel clip (Male) | (44) | 608511 |
| Door trim panel retainer (Female) | (44) | 613769 |
| Trim clip kit (Inc 44-608511 trim clips) | (1) | RH5127 |



THE TRIM YOU NEED FOR YOUR GT6



Rear 1/4 & Wheel Arch Trim Panels

Due to manufacturing restrictions GT6 rear trim panels are only supplied in PAIRS.
 Trim panels are supplied with matching material for 'B' post.

- Mk1 & Mk2**
- Rear 1/4 wheel arch trim panels (Pair) (1pr) **RG1179**
Colours available: Black, Matador Red, Midnight Blue, Shadow Blue & Light Tan.
- Screw & cup washer pack (a/r) **RH5249**
 General purpose, includes 20 self tapping screws & cup washers.
- Mk3**
- Rear 1/4 wheel arch trim panels (Pair) (1pr) **RG1108**
Colours available: Black, Matador Red, Shadow Blue, Chestnut & New Tan.
- Screw & cup washer pack (a/r) **RH5249**
 General purpose, includes 20 self tapping screws & cup washers.



Tailgate Trim

- Tailgate trim panel kit;
- | | | |
|-------------------------------------|-----|---------------|
| Mk1 & Mk2 (Black) | (1) | RG1180 |
| Mk3 (Black) (Includes fixing clips) | (1) | RG1109 |
- Clip only for above (a/r) **RG1109C**
- Screw & cup washer pack (a/r) **RH5249**
 General purpose, includes 20 self tapping screws & cup washers.

Headrests & Covers

- Mk3 only (UK & USA spec vehicles)**
- Headrest assembly;
- | | | |
|-------------|-----|---------------|
| Black | (2) | 917951 |
| Shadow blue | (2) | 917957 |
| Chestnut | (2) | 917953 |
| New tan | (2) | 922703 |
- Headrest Cover (Pair);
- | | | |
|-------------|-------|----------------|
| Black | (1pr) | 917951C |
| Shadow blue | (1pr) | 917957C |
| Chestnut | (1pr) | 917953C |
| New tan | (1pr) | 922703C |



Seat Belts

- Also see 'Accessories' for competition type seat belt harness.
- Inertia seat belt kit (Per seat);
 3 point fixing replacement type belts (inc. stalks). Fit all models.
- | | | |
|----------------------------------|-----|------------------|
| with Standard stalk | (2) | XKC2528 |
| with Extra long (by 150mm) stalk | (2) | XKC2528SA |
- Use if seat is normally positioned fully forward.*
- Inertia seat belt kit - adjustable (Per seat);
 Features angle adjustable reel eliminating pivot/guide on top of wheel arch. Suitable for use when non standard seats or a roll-over bar are fitted.
- | | | |
|----------------------------------|-----|-----------------|
| with Standard stalk | (2) | RB7355 |
| with Extra long (by 150mm) stalk | (2) | RB7355SA |
- Use if seat is normally positioned fully forward.*
- Static seat belt kit (Per seat);
 Non inertia
- | | | |
|----------------------------------|-----|------------------|
| with Standard stalk | (2) | 719918A |
| with Extra long (by 150mm) stalk | (2) | 719918ASA |

Trim Adhesive

- Carpet/trim adhesive
- | | | |
|----------------|-------|----------------|
| Tin (1 litre) | (a/r) | RX1353 |
| Aerosol (370g) | (a/r) | RX1353A |

Door Aperture Seals

- Seal - Door surround (Rubber/bristle);
- | | | |
|-------------|-----|---------------|
| All colours | (2) | RX3002 |
|-------------|-----|---------------|
- Colours available: Black, Beige, Blue-Grey, Shadow Blue, Chestnut, Red & Tan.*
- | | | |
|----------------------|-----|---------------|
| Sill weatherseal | (2) | 620656 |
| 'A' post weatherseal | (2) | 630755 |

Headlining Trim (All)

- Headlining trim kit;
- | | | |
|-----------------|-----|---------------------|
| Black | (1) | RG1235Black |
| White | (1) | RG1235White |
| Longhorn silver | (1) | RG1235Silver |

IMPORTANT CUSTOMER NOTICE

INTERIOR TRIM *If you modify it - then you own it!*

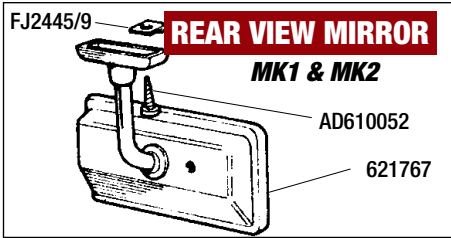
All our re-manufactured interior trim is produced to the highest standard. If you genuinely believe that any of our trim (seat covers/carpets etc) does not/will not fit, then we will either exchange it, or offer a full refund (in line with our normal procedure). However, if any item of trim has been modified in any way whatsoever (ie cut, trimmed, unstitched, etc) by the purchaser in an attempt to rectify a problem, then any claims for faulty goods will be Null & Void.



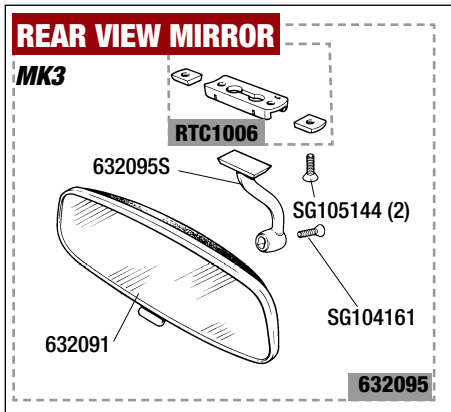
DASH VENEER SET



CENTRE ARMRESTS



FJ2445/9 **REAR VIEW MIRROR**
MK1 & MK2



REAR VIEW MIRROR
MK3

Rear View Mirror

Mk1 & Mk2

- Rear view mirror (Head only) (1) **621767**
- Screw (2) **AD610052**
- Self tapping, mirror arm to frame.
- Spire nut/clip (2) **FJ2445/9**
- Setscrew (Not illustrated) (2) **512461**
- Alternative fitment to AD610052 & FJ2445/9.

Mk3

- Mirror head assembly (1) **632095**
- Mirror head only (Dipping) (1) **632091**
- Mirror arm only (1) **632095S**
- Base (Mirror arm to screen frame) (1) **RTC1006**
- Screw;
- Mirror arm to head (1) **SG104161**
- Base to screen frame (2) **SG105144**

Sunvisors

Original sunvisors for Mk1 and Mk2 are no longer available. Mk3 sunvisors can be installed using our hinged mounting kit which includes bars, brackets, retaining rubbers and fixings. This kit also allows the visors to be hinged to the side if required. Alternatively, the Mk3 visors can be installed using the Mk3 fixed mounting bars listed below.

ALL MODELS

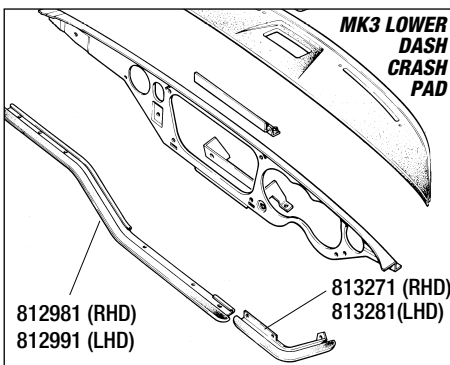
- Drivers sunvisor (RHD & LHD) Mk3 (1) **823381**
- Passenger sunvisor (with mirror) Mk3;
- RHD (1) **823311**
- LHD (1) **823321**
- Mounting kit (for hinged visors); Inc. bars, brackets, retaining rubbers & fixings. Allows Mk3 visors to be fitted to Mk1 & Mk2. Can also be used to convert Mk3 fixed visors to hinged if required. (1) **RR1461**
- Mounting bar Mk3 (fixed type)
- RH (1) **630933**
- LH (1) **630932**
- Screw - for Mk3 mounting bar (4) **PX505**

Dash Facia & Parcel Tray

Dash veneer set (Replacement 3 piece) (RHD); Please enquire for LHD models - refer to LHD suffixed part numbers in Price Guide.

- Mk1 -
- Original finish (1) **RG1223**
- Burr walnut (1) **RG1223BW**
- Mk2 -
- Original finish (1) **RG1224**
- Burr walnut (1) **RG1224BW**
- Mk3 -
- Original finish (1) **RG1225**
- Burr walnut (1) **RG1225BW**
- Dash Crash pad - Mk3
- Dash top (1) **815281**
- Dash - Lower facia crash pad - Mk3;
- RHD vehicles -
- Drivers side (1) **813271**
- Passenger side (1) **812981**
- LHD vehicles -
- Drivers side (1) **813281**
- Passenger side (1) **812991**
- Ash Tray (Dash top) (All) (1) **613186**
- Parcel tray;
- Mk1 RHD-
- Drivers (1) **809917**
- Passenger (1) **809918**
- Mk1 LHD -
- Drivers (1) **807004**
- Passenger (1) **807005**
- Mk2/Mk3 RHD -
- Drivers (1) **813745**
- Passenger (1) **813753**
- Mk2/Mk3 LHD -
- Drivers (1) **813746**
- Passenger (1) **813754**
- Parcel tray lower crash pad (Support rail);
- Right hand (1) **728641**
- Left hand (1) **728631**
- Centre console;
- Trim recovering material (Black) (1) **822558**
- Screw & cup washer pack (a/r) **RH5249**
- General purpose, includes 20 self tapping screws & cup washers.

- Mk3 LOWER DASH CRASH PAD
- 812981 (RHD)
- 812991 (LHD)
- 813271 (RHD)
- 813281 (LHD)



KNEE PADS

Centre Armrest

Mk1 & Mk2

Armrest/console assembly *Not currently available*
 Armrest/console recovering kit (1) **RG1167**
 Colours available: Black, Red, Midnight blue, Shadow blue & Light tan.
 Includes material for armrest & handbrake gaiter.
 Also includes material for tunnel cover.

Mk3

Armrest/console assembly (Complete with handbrake gaiter);

- Black (1) **822781**
- Matador red (To KE/KF20000) (1) **820802**
- Shadow blue (1) **822787**
- Chestnut (From KE/KF20001) (1) **822783**
- New tan (1) **824263**

Armrest/console trim recovering kit;
 Includes material for armrest & handbrake gaiter.

- Black (1) **822781CVR**
- Matador red (To KE/KF20000) (1) **820802CVR**
- Shadow blue (1) **822787CVR**
- Chestnut (From KE/KF20001) (1) **822783CVR**
- New tan (1) **824263CVR**



TUNNEL COVERS

Tunnel Cover

Tunnel cover (Mk3 only);
 For Mk1 & Mk2 refer to Centre Console & Tunnel Cover recovering kit RG1167.

- Black (1) **822821**
- Matador red (To KE/KF20000) (1) **818852**
- Shadow blue (1) **818857**
- Chestnut (From KE/KF20001) (1) **822823**
- New tan (1) **818853**

Knee Pads

- Knee pads;
- Black -
- Right hand (1) **XKC2917PA**
- Left hand (1) **XKC2916PA**
- Matador red -
- Right hand (1) **719432**
- Left hand (1) **719422**
- Shadow blue -
- Right hand (1) **726807**
- Left hand (1) **726797**
- Chestnut -
- Right hand (1) **726803**
- Left hand (1) **726793**
- New tan -
- Right hand (1) **729773**
- Left hand (1) **729763**

Carpet Sets

MOULDED CARPETS (As Original Specification)

Our Moulded passenger area carpet sets are suitable for ALL ROTOFLEX and NON-Rotoflex models. Available in Black only. Note: Underfelt can not be fitted with moulded carpets.

Passenger area carpet set (Black);
Excludes rear load space carpet.

RHD (1) **RG1154**
LHD (1) **RG1154LHD**

Rear load area carpet;

Mk1 & Mk2 (Black) -
31.5" deep (Rear seat fitted) (1) **RG1156**
41.5" deep (Rear seat not fitted) (1) **RG1155**
Mk3 (Black) -
31.5" deep (1) **RG1157**

TUFTED & WOOL CARPETS

Our range of high quality Tufted pile and Luxury Wool stitched carpet sets cover all models and include the rear load space area carpet.

Universal fitting for both RHD & LHD models.

NON-Rotoflex Driveshaft Models

Tufted carpet set;

Mk1* (1) **RG1208**
Supplied with 41.5" deep rear load area carpet suitable for all vehicles without rear seat. Cut to 31.5" deep if rear seat fitted.

Mk3* (Late) (1) **RG1230**
*Colours available: Black, Brown, Beige, Red, Navy blue & Light blue.

Luxury wool carpet set;

Mk1* (1) **RG1250**
Supplied with 41.5" deep rear load area carpet suitable for all vehicles without rear seat. Cut to 31.5" deep if rear seat fitted.

Mk3* (Late) (1) **RG1241**
*Colours available: Black, Brown, Beige, Red, Navy blue & Light blue.

ROTOFLEX Driveshaft Models

Tufted carpet set;

Mk2* (1) **RG1218**
Supplied with 41.5" deep rear load area carpet suitable for all vehicles without rear seat. Cut to 31.5" deep if rear seat fitted.

Mk3* (Early) (1) **RG1240**
*Colours available: Black, Brown, Beige, Red, Navy blue & Light blue.

Luxury wool carpet set;

Mk2* (1) **RG1231**
Supplied with 41.5" deep rear load area carpet suitable for all vehicles without rear seat. Cut to 31.5" deep if rear seat fitted.

Mk3* (Early) (1) **RG1209**
*Colours available: Black, Brown, Beige, Red, Navy blue & Light blue.

MOULDED CARPET SET



OVERMATS



UNDERFELT & ADHESIVE

Carpet underfelt kit (1) **RG1141**
Not suitable for moulded carpets.

Carpet/trim adhesive (a/r) **RX1353**
Tin (1 Litre) (a/r) **RX1353A**
Aerosol (370g)

Footwell Overmats

Tailored overmats (pr) **RL1317**
Suitable for RHD & LHD. Available in velour or rubber (see accessories).

HIGH QUALITY TUFTED CARPET SET



ENGINE

OIL COOLER KIT

FIT AN OIL COOLER KIT FOR PEACE OF MIND.

Kits include oil cooler radiator, fitting kit, filter adaptor, hoses & fittings, but not thermostat.



- Engine oil cooler kit (1) **516375**
Suitable for vehicles fitted with standard or spin-on oil filter.
- Engine oil cooler kit (1) **RR1296**
Suitable for all vehicles. Also converts to spin-on type oil filter.
- Thermostat (Engine oil cooler) (1) **RS1456**
Not included in oil cooler kit.

OIL PRESSURE GAUGE KIT



- Oil Pressure Gauge Kit All Models **RX1351/0**
- Oil Pressure/Water Temp Gauge Kit - All models (combined gauge) **RX1351/0W**
- Adaptor; Oil pipe to block **143943**
- Temp sender to water pump housing **11K2846**
- Washer (copper) (for adaptor 11K2846) **AED172**
- 'T' Piece **RX1352**
- Use if retaining oil pressure warning light.*
- Bracket (for remote mounting of gauge) **RB7050**
- Oil pressure switch **GPS117**

SPIN-ON OIL FILTER CONVERSION

RECOMMENDED FOR ALL OWNERS!

This kit converts the standard 'Bowl' type Filter to the more efficient 'Spin-on' Cartridge type which makes filter changing easier & cleaner.

- Adaptor (1) **RR1238**
Vehicles without engine oil cooler
- Adaptor (1) **RR1275**
Vehicles with engine oil cooler.
- Oil Filter Cartridge (1) **RR1243**
- Service kit for adaptor (1) **RR1238SK**



ALLOY ROCKER COVER



- Alloy Rocker Cover; Alloy finish **TKC378A**
- Black (Crackle finish) **TKC378AP**
- Note: use thin gasket GEG413T. Refer to page 10 for further fitting info.*

K&N AIR FILTERS



These units replace the existing air cleaner box and improve engine breathing - they look good too!

Don't forget to order cleaning and re-oiling fluids.

Note: Carb needles may require changing depending upon application, see 'Fuel System'.

- K&N Filters (Each)
 - Pair (1) **RM8230**
 - Each (2) **RL1575**
- Cleaning Fluid (K&N) (1 Litre) (A/R) **RX1346**
- Element Oil (Use after cleaning)
 - 29.58ml Sachet (A/R) **RX1347**
 - 250ml Bottle (A/R) **RX1348**
 - 400ml Aerosol (A/R) **RX1349**

ROCKER FEED KIT - GT6 ALL MODELS



ROCKER OIL FEED KIT

Excessive rocker shaft wear is a classic complaint about the Triumph push rod engines. The external rocker feed kit is an effective and easy to fit solution to the problem. It works by piping oil from a plug hole in the cylinder block main oil gallery up to the cylinder head, thereby maintaining a higher oil flow than standard. No drilling or tapping is required for installation. The kit is so good, it looks as though it should always have been there!

- EXTERNAL ROCKER FEED KIT ALL MODELS **RR1340**

The Rocker Feed Kit and Oil Consumption

When the supplementary oil feed to the rocker gear is fitted, an increase in oil consumption is often encountered. This is attributed to oil being drawn down worn valve guides. The extra amount of lubricating oil flowing through the valve and rocker chamber, as supplied by the feed kit, exaggerates any tendency for oil to be sucked down worn valve guides past worn valve stems. The best solution is to fit new valves and guides, but this is not always on the top of the repair priority list. To assist in the reduction of oil being sucked down the guides a method of valve stem oil seal is required. We offer the simple do-nut rubber ring that is used so successfully on MG sports cars. Its part number is AEK113, one per valve stem.

Now the clever bit... How to fit them without removing the cylinder head from the car?

Each seal needs to be fitted to the valve stem above the valve guide but below the valve spring upper retaining cap(s). Remove the rocker cover, rocker gear and the spark plugs. Cover the holes that the push rods come up through so nothing can be dropped down into the engine. Turn the crankshaft so that number one piston is at bottom dead centre (BDC). Feed a length of clean, pliable rope down the spark plug hole of number one cylinder, leaving a bit hanging out so you can retrieve it. Now, slowly and carefully turn the crankshaft clockwise by hand, a resistance will be felt as the rising piston in that bore compresses the rope against the combustion faces of the two valves in that cylinder, holding them against their seats. The valve collets and spring caps of that cylinder can now be removed without the fear of losing the valves down the bore. The valve stem oil seals can be fitted to these two valve stems and perhaps a new set of valve springs.

Be honest, this tip has saved the cost of a decoke set! Once the valve stem oil seals and other parts have been refitted to this first pair of valves satisfactorily, simply turn the crank anticlockwise to BDC, withdraw the rope and repeat the process on the remaining cylinders and pairs of valves.

To be sure that the rope has compressed sufficiently against the faces of the valves, attempt to push the valves by hand, as if being acted on by the rockers before removing the spring caps or collets, this is the fail safe check. This method can be adopted anywhere as it does not require the use of compressed air, special tools or luck.

ELECTRICAL

HALOGEN HEADLAMP CONVERSION KIT



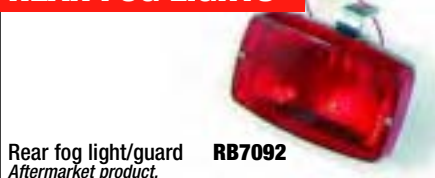
Halogen conversion kit;
 RHD (with or without pilot) **RB7129**
 LHD (with or without pilot) **RB7082**
 LHD - France (pilot type) **RB7160**
 Halogen Bulb (100/80w uprated) *each* **GLB484**
 Halogen Bulb 'Xenon' (60/55w) *pair* **GLB472X**

FRONT FOG LIGHTS



Front 'Fog light' (Supplied in Pairs) **RX1370**
 Aftermarket product.

REAR FOG LIGHTS



Rear fog light/guard **RB7092**
 Aftermarket product.

PORTABLE WORKLIGHT

Ideal for working on you car or for jobs around the house. Inc. 240v-500w tungsten halogen lamp, 2m cable and BS plug.



Portable Halogen Worklight (500w) **RX1263**

KENLOWE ELECTRIC FAN KIT



Kenlowe Electric Fan Kit **RB7065**

UPDATED IGNITION SYSTEMS



These kits offer a maintenance free ignition system, (in place of contact points) with potential for improved performance and fuel economy.

Electronic Ignition Kit (Newtronic) **RG1255**
 Silicone Plug Lead Set **GHT142S**



Spark Plug - High Performance **GSP6462**
 Sports Coil (performance)
 Mk1 & Mk2 (12 volt) **GCL110HP**
 Mk3 (6 volt) **GCL132HP**

INSPECTION LAMP



Inspection Lamp/Halogen **RX1424**
 Plugs into cigar lighter.

BATTERY CONDITIONER



The battery charger that turns on and off, automatically.

Suitable for all 12 volt batteries (from 5AH to 100AH), this superb product constantly revitalises the battery cells - helping to extend cell life, without the danger of overcharging.

Battery Conditioner Kit - RX1410
Comes complete with all fittings & operating instructions.

LOOK AT THESE BENEFITS;

- Designed to be left connected for long periods.
- Use without disconnecting vehicle electrics.
- L.E.D. battery condition display.
- Thermal cut-out facility.
- 12 month guarantee.

Can also be used for these applications providing they use a 12 volt battery;
 Caravans, lawn mowers, motorbikes, motor boats, wheel chairs and general leisure use.

BATTERY CHARGER **GAC7106**

Conventional type 6v/12v

UPDATED HI-TORQUE STARTER MOTOR



Fits as direct replacement. Starts engine regardless of compression or temperature. Up to 200% more cranking power using up to 50% less current.

Upated Hi-Torque Starter Motor
 Outright sale, no exchange.
 All models **GEU9405UR**

AIR HORNS



Air horns (Electric type) **RX1381**
 Twin 'Compressed - Air' Horns.

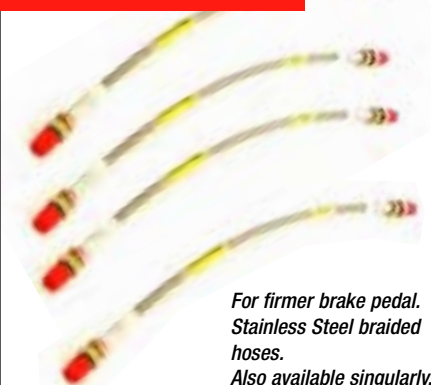
UPRATED DISCS & PADS



EBC turbo groove discs and 'Green Stuff' Kevlar pads. Handed discs (rh/lh) with curved grooves & dimples offer superb stopping power when combined with pads. The pads may be fitted to standard discs also.

Up-rated Discs & Pads (Set)
 Mk1, Mk2 & Mk3 early (to KC56077, KE/KF12389) **RG1059UR**
 Mk3 late (KE/KF12390 onwards) **RG1060UR**
 Up-rated Discs (pair) **213227UR**
 Up-rated Pads (set)
 Mk1, Mk2 & Mk3 early (to KC56077, KE/KF12389) **GBP132GS**
 Mk3 late (KE/KF12390 onwards) **GBP216GS**
 Pins/shims available separately.

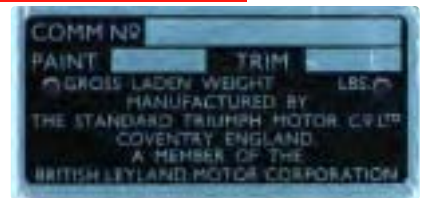
BRAKE HOSE SET - GOODRIDGE



For firmer brake pedal.
 Stainless Steel braided hoses.
 Also available singularly.

Goodridge Performance Brake Hose Set
 Car set (4 hoses) **RG1292GR**

CHASSIS PLATE



Chassis Plate **RL1431**

VEHICLE RECORD LOG & HANDBOOK WALLET

Glovebox wallet/folder **RX1421**
Look & Be Organised.
 This wallet is ideal for holding your owners handbook, service/MOT log, invoices & MOT certificates.

Service/MOT record log **RX1422**
A visible service record of your classic.
 Use this log book for keeping a full record of your classics service, tax & MOT dates.
 Over the years the historic record will prove to any potential purchaser how you have cared for your car.

COMPETITION TYPE HARNESS

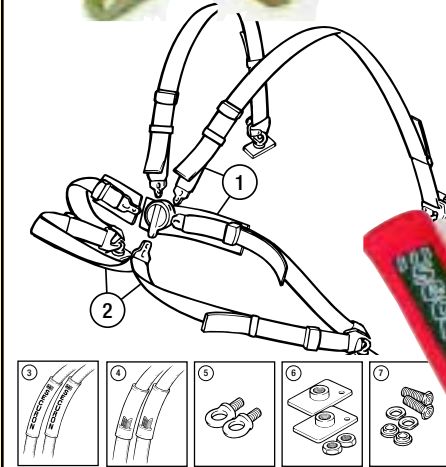


A popular alternative to standard seat belts - these really do look the part!

The 4-point harness shown (no. 1) can be converted to the 6-point type by the inclusion of the crotch strap listed (no. 2). Note that fittings (eye bolts, reinforcement plates & bolts/spacer sets) are supplied separately. Harnesses are supplied singularly in 2" wide red webbing (black or blue webbing supplied to special order). This harness is designed for road use - please contact us if you have specific FIA/RAC approved type requirements.



- | | QTY | REQ. |
|---|-----|---------------|
| 1 HARNESS, competition type, red (each) | (2) | RX1500 |
| 2 CROTCH STRAP, red (each) | (2) | RX1501 |
| 3 SHOULDER PADS, 'Securon' (pair) available in red or black | (2) | RX1502 |
| 4 SHOULDER PADS, 'Triumph' (pair) black | (2) | RX1414 |
| 5 EYE BOLT SET (pair) | (2) | RX1503 |
| 6 REINFORCEMENT PLATE SET (pair) | (2) | 621112 |
| 7 BOLT & SPACER SET (pair) | (2) | RX1505 |



TRIUMPH SHOULDER PADS RX1414

SECURON SHOULDER PADS RX1502

DOOR LOCKS



Door Locks - deadlock type (pr) **631773DL**
 For improved security. Uses barrel type keys.
 Note: doors can only be locked/unlocked from outside vehicle.

POLYURETHANE BUSHES



Please refer to 'Suspension' section on page 23-28.



STEERING WHEELS & FITTINGS



MOTO-LITA WOOD RIMMED - RR1170



MOTO-LITA LEATHER RIMMED - RR1173



MOUNTNEY WOOD RIMMED - RL1466

Motolita Steering Wheel
Inc. Boss & fittings.

Wood Rimmed

- 13" dia - flat (1) **RR1170/13**
- 14" dia - flat (1) **RR1170/14**

Motolita Steering Wheel
Inc. Boss & fittings.

Leather Rimmed

- 13" dia - flat (1) **RR1173/13**
- 14" dia - flat (1) **RR1173/14**

Mountney Wood Rimmed Steering Wheel

Semi-Dished (13") (1974 on) (1) **RL1466**

FRONT SPOILER - MK3



Front Spoiler (Mk3 only) (to original spec) **GLZ608**
Fitting Kit **GLZ608FK**

SILL KICK PLATES



Sill Kick Plates (Triumph logo) pair - **RL1067**

OVERSILL TRIM KIT



Oversill Trim Kit (all models) **RL1232**
Kit includes pair of stainless steel sill covers and retaining strips.

DOOR MIRRORS



DOOR MIRRORS BLACK OR CHROME

Door Mirror - 'Bullet' Style (RH/LH)

Chrome **GAM105**

Door Mirror - Standard
Including fittings.

Chrome **GAM213**

RH **GAM214**

Black **GAM261**

RH **GAM262**

LH **GAM262**

BULLET STYLE DOOR MIRROR - GAM105

SOLID MOUNTING KIT



Solid Mounting Kit (alloy) (1) **RR1370**
Replaces original rubber mountings and clamps. Provides more positive feel to steering. Note: also transmits more road noise and vibration.

GEAR LEVER KNOBS

Gear Lever Knob - Non Overdrive Models

Wood **RL1528W**

Leather **RL1528L**

Wood (larger Amco style) **RL1528WA**

Leather (larger Amco style) **RL1528LA**



GENERAL

MUDFLAPS



Mudflaps (Pair)
Front (Inc. fittings) **GAC630F**
Rear (Inc. fittings) **GAC630R**

HEADLAMP STONEGUARDS

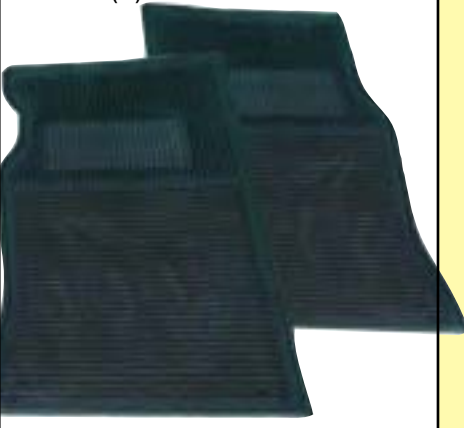


Headlamp Stoneguards (pair)
Mk1 & Mk2 only. Clip on. **RR1175**

OVERMATS



Footwell (Front) tailored overmats;
Suitable for RHD & LHD models.
Velour (Pr) **RL1317**
Rubber (Pr) **RL1317R**



COFFEE MUG



'Triumph' Coffee Mug **RX1264**

VALVE CAPS



Valve cap set, Triumph **HMP190129**

BASEBALL CAP



'Rimmer Bros' Baseball Cap **RX1425**

PERSONAL ORGANISER



Land Rover Personal Organiser
Superb value!
14 x 20cm (6 ring) in dark burgundy with Land Rover badge.
Binder only **STC50440**
Binder & diary insert **STC50440K**

KEY RING



Key ring/fob;
'Laurel' **RM8194**
'Triumph shield' **RF4109**

VOUCHERS



Rimmer Bros 'Vouchers';
Vouchers make an ideal present for Classic car owners.
RX1337
£5.00 value **RX1338**
£10.00 value **RX1339**
£20.00 value **RX1341**
£50.00 value

VEHICLE NUMBER PLATES



STANDARD



DELUXE-3D



BLACK - PRESSED ALUMINIUM



BLACK - ACRYLIC



BLACK - ACRYLIC (ENGRAVED)

ONLY AVAILABLE TO PERSONAL CALLERS.

New legislation from 1/1/03 states that number plates can only be sold directly to the owner of the vehicle together with proof of ownership and personal identification.

We will need sight of the following three original documents:-

- Vehicle registration document (V5)
- Driving Licence or utility bill.
- Passport or credit card (with photo ID), or travel/works pass (with photo ID).

Number plates are made to special order.

Please note that it is also now mandatory in the UK for all new number plates to bear the originating suppliers name, postcode and telephone number (i.e. Rimmer Bros).

Vehicle Number Plate - Front	
Standard	NPF
Standard with 'GB' logo	NPFGB
Deluxe - 3D effect	NPF3D
Deluxe - 3D effect with 'GB' logo	NPF3DGB
Vehicle Number Plate - Rear	
Standard	NPR
Standard with 'GB' logo	NPRGB
Deluxe - 3D effect	NPR3D
Deluxe - 3D effect with 'GB' logo	NPR3DGB
Vehicle Number Plate (Pair) - Black	
<small>Black background, Silver letters Legal on Vehicles Reg. to 1/1/73.</small>	
Pressed aluminium (PR)	RX1365
Acrylic - standard letters (PR)	RX1365B
Acrylic - engraved letters (PR)	RX1365A
Fitting Kit - number plates	NPK
<small>Universal kit including 4 self tap screws, 2 white cups, 2 yellow cups & 8 double sided adhesive pads.</small>	

ADVERTISING PRINTS

Reproductions of Original Triumph Adverts. We have available a good selection of full colour advertisements/posters as released by Triumph - British Leyland, representing adverts used Worldwide.

Cream GT6 Mk1 **RG1252**
Picture: GT6 on headland.
Caption: 'Humming tires. Snarling engine. Whistling wind. Triumph GT6'

White GT6 Mk1 **RG1253**
Picture: Low close-up shot from rear of car. Reg No FWK 319D.
Caption: 'All the world wants the new Triumph GT6.'

Red Mk1 & Le Mans racing GT6 **RG1254**
Picture: 2 shots, 1 showing Le Mans car number 50, & red Mk1 at speed on road. Reg No FKV830D.
Caption: 'Bred at Le Mans, to put you safely ahead!'

Red GT6 Mk2 **RG1153**
Picture: 2 cars passing on main road. Reg No MRW998G.
Caption: 'More sting in the engine. More cling in the tail.'

Red GT6 Mk2 & chassis **RG1249**
Picture: Blue Mk2 rolling chassis in foreground with red Mk2 passing at speed in background.
Caption: 'Our winning streak.'

White GT6+ **RG1238**
Picture: White USA spec GT6+ (Mk2) parked on wooden bridge.
Caption: 'TRIUMPH GT6+.'

Yellow GT6 Mk3 **RG1151**
Picture: Woodland scene & 3 inset shots. Reg No SVC394J.
Caption: 'Triumph GT6 Mk3, now read on... Styled For The Fast Life.'

White GT6 Mk3 **RG1242**
Picture: Woodland scene showing front of car. Reg No TWK176K.
Caption: 'Triumph GT6 Mk3, Triumph put in what the others leave out.'

Yellow GT6 Mk3 **RG1243**
Picture: 3 shots in profile - Side (Main), Front & Rear. Reg No RVCA39H.
Caption: 'The Triumph GT6 Mk3.'

RG1252



RG1253



RG1254



RG1153



RG1242



RG1249



RG1151



RG1238

DECALS & BADGES



'Union Jack' badge (30 x 50mm)

Enamel **RX1299**
 Stick-on **RX1299S**

Grille badge 'T. S. O. A' **HMP121001**

'Triumph Sporting Owners Association'

Cloth badge 'BL Motor Sports' **HMP190078**

'Sew-on' product.

TRANSFERS



'Triumph Laurel' Leaf Transfer - Large (200mm dia)
 Popular application - Bonnet

Black **XKC3700**
 Gold **XKC3702**
 Silver **XKC3701**
 Red **RB7222**

'Triumph Laurel' Leaf Transfer - Small (50mm dia)
 Popular application - Front Wing

Black, Gold or Silver **RB7178**

TAX DISC HOLDER

FREE



Tax disc holder (Free of charge)

RX1355

MODEL CARS



Die Cast Model Cars - 1/18 GT6 Mk3

Red **RG1295**
 Green **RG1295-01**
 White **RG1295-02**

DECAL



Decal 'Rimmer Bros'
 Black/Silver, Self adhesive.

RA1055

CAR STORAGE

CAR-CAPSULE

The dry solution for car storage problems.

Car-Capsule practically eliminates the problems of dust, dirt, scratched paintwork & moisture retention, which can lead to corrosion problems.

Quick and very easy to use, Car-Capsule is suitable for both long and short term storage.

The energy efficient (low-voltage) fan maintains a continuous flow of filtered air passing over and through the stored vehicle.

Car-Capsule helps prevent interiors from becoming damp & musty during storage.

Dolomite Car-Capsule (480x180cm) RX1402

Also available in 420x160cm (RX1401) & 540x200cm (RX1404) sizes.



OUTDOOR 'MONSOON' SEMI-TAILORED CAR COVERS



Our range of semi-tailored outdoor car covers offer total protection with a range of sizes to suit all applications.

Spitfire, GT6, TR2 & 3

TR4 - 6, TR7 - 8, Dolomite, Herald, Vitesse

Stag

2000/2500 saloons, Rover SD1

Extra large - Range Rover etc

RX1516

RX1517

RX1518

RX1519

RX1520

FEATURES...

- Tough grey outer skin
- Soft non woven lining
- Double stitched with heated seams
- Roof vents allowing moisture to escape
- Under body securing straps with soft fastener covers
- Elasticated front & rear hems for snug fit
- UV resistant to prevent paint fade
- Complete with zipped storage bag
- Great value for money!

TOTAL PROTECTION!

INDOOR TAILORED CAR COVERS



Cover It up !

Look at these features ...

- Breathable Cotton material.
- Available in a choice of colours.
- Excellent tailored fit.
- Superb Value for Money.
- Embroidered Model Name/Logo.
- Supplied with FREE Storage Bag.
- Manufactured in the UK.

These quality tailored indoor car covers are exclusive to Rimmer Bros, and have been individually designed for each model to ensure a really close fit. They are manufactured to our specification in a 'Breathable Sateen Cotton' material that is strong, but yet light in weight, making them very easy to fit. They will provide ideal protection whilst your car is in the garage - whether just parked up for a few days, or stored over the winter months - from dust, bright sunlight and from those annoying little marks when people brush past. The covers, which are available in a choice of colours, are supplied with a matching storage bag. This product is manufactured Solely in the United Kingdom. Available in Blue, Red & Green.

GT6 'Sateen' Car Cover RG1158

Indoor Car Covers also available for other models.

BOOKS & VIDEOS



WORKSHOP MANUALS (FACTORY)

TR4/TR4A	510322
TR5 Pi Supplement	545053
TR6	545277
TR5/TR250/TR6 (Pocket size)	545277HBS
TR7	AKM3079B
TR8	AKM3971
Stag	AKM3966
Stag - Engine Service Manual (Pocket Size)	RS1542
Spitfire Mk1/2/3	511243
Spitfire MkIV	545254
Spitfire 1500;	
Hard Cover	AKM4329HCVR
Soft Cover	AKM4329SCVR
Spitfire (Pocket Size)	RL1395
GT6/Vitesse	512947
Herald	511243
Dolomite Sprint	AKM3629
Dolomite Sprint - Repair operation times	AKM3635
Triumph 2000/2500	AKM3974
SD1 (1982 on)	AKM5343

WORKSHOP MANUALS (HAYNES)

TR2-4A	RF4128
TR6	RR1020
TR7	RB7210
Stag	RS1401
Spitfire	RL1222
GT6/Vitesse	RG1001
Herald	RH5194
Triumph FWD (1965-73) Autodata	RX1292AD
Dolomite 1300	RT1250
SD1	
2000/2300/2600	R01068
3500	R01069
2300/2600/3500 (exc EFI) Autodata	R01069AD
Carburettor Manual Weber, Zenith, Stromberg.	RX1412
Range Rover (1970-92)	RA1007

SALES BROCHURES (ORIGINAL)



Spitfire 1500 **RL1379**
 TR7 Convertible **RB7283**
 Dolomite **RT1223**

TRIUMPH VIDEOS

Produced by The British Motor Industry Heritage Trust (BMIHT), these videos are compiled from archive footage from the past and remind us of how things used to be! Very entertaining.



THE TRIUMPH MARQUE RX1436

This video shows the STANDARD-TRIUMPH film unit at its best, following the fortunes of rally and race teams, it covers the major successes of the Standards, TR's and Spitfires from 1953 to 1968 and the introduction of the TR5. Footage of the 25th Monte Carlo Rally is also included.

TRIUMPH HERALD RX1437

This video includes the launch of the Triumph Herald in the Albert Hall, the gruelling test journey across Africa and footage of the Canley production factory. Raymond Baxter adds the informative commentary.



LEYLAND CARS OF THE 70's RX1442

A celebration of those wonderful films made to launch some famous cars of the golden years at British Leyland. Includes footage of the Maxi, Marina, Allergo and Princess. (62 minutes in total).

HAYNES OWNERS WORKSHOP MANUAL - MAN



All models, shapes, sizes & colours, 120,000BC to present day. By Dr Ian Banks. 128 pages.

The practical step-by-step guide to men's health. Not a motoring manual, but a health manual presented in the style of a Haynes car repair guide! Covers basic health advice and 'trouble-shooting' with text and illustrations. Men are far more likely to look after their cars than their own bodies! Reading this could mean the difference between a healthy, high mileage life and premature breakdown.

'Man' Haynes Manual **RX1534**

BOOKS

PARTS BOOKS - 'BRITISH LEYLAND'

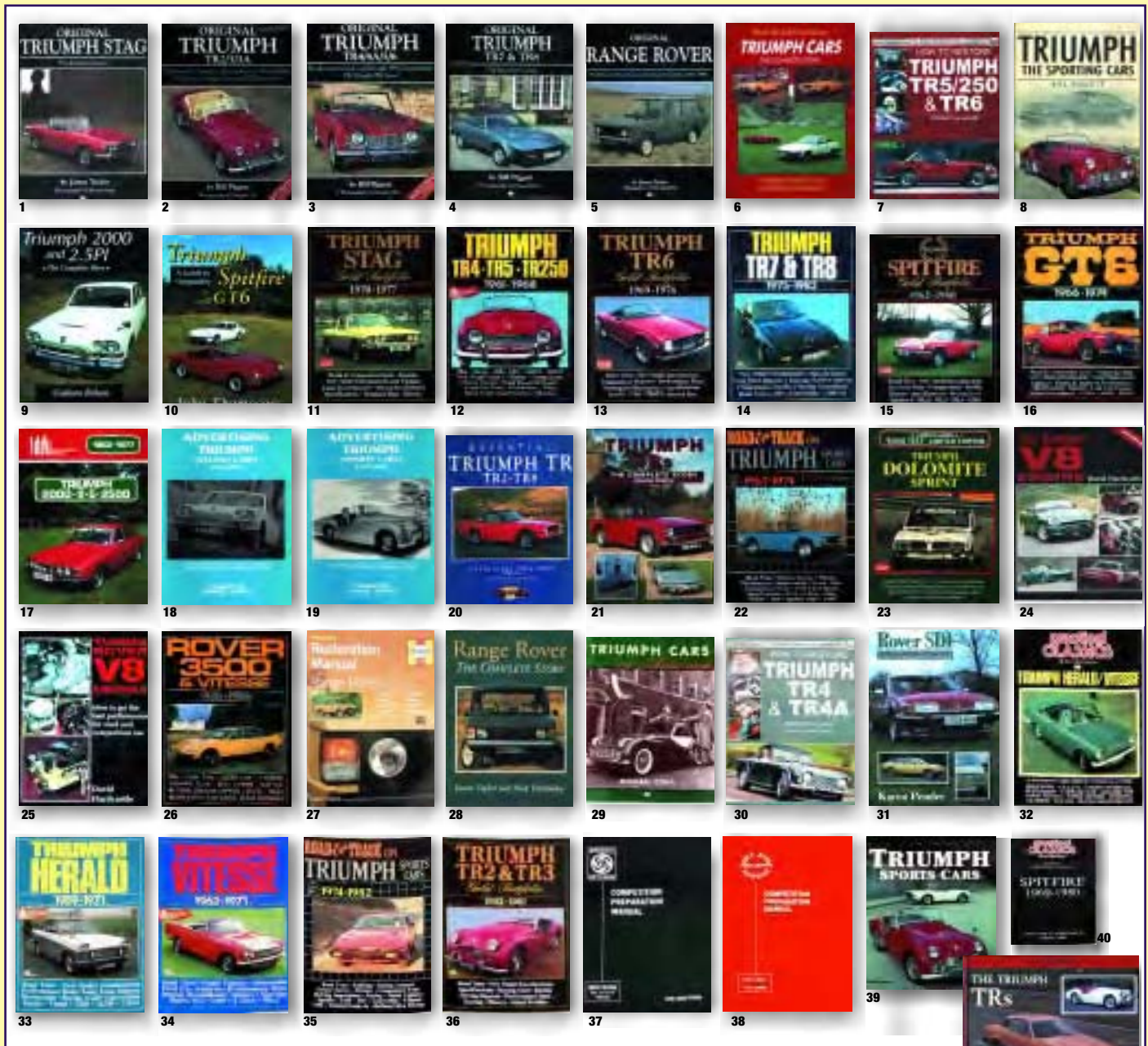
TR2/3	501653SC
TR4	510978
TR4A	514837
TR250	516914
TR5	516915
TR6 (to 1973)	517785A
TR6 (1974 to '76)	RTC9093A
TR7 (1975 - 78)	RTC9814CA
TR7 (1979 on)	RTC9828CC
TR7/8 (to '79)	RTC9020B
Stag	519579
Spitfire ('4' Mk1 & Mk2)	511682
Spitfire (Mk3)	516282
Spitfire 1500 (Late)	RTC9819CB
GT6 (Mk1 & Mk2)	515754
GT6 (Mk3)	520949A
Herald (1200 - 12/50)	510597
Herald (13/60)	517056
Vitesse (1600/2000 Mk1)	511408
Vitesse (2 Litre Mk2)	517786
Dolomite (All Models)	RTC9822CB
Triumph 1500 (RWD)	RTC9019A



OWNERS HANDBOOKS

TR4	510326
TR4A	512916
TR250	545033
TR6	545078
<i>See catalogue for full listings</i>	
TR7 USA (1977)	RTC9209-77
TR7 (Coupe 77-81)	AKM4332
TR7 ('81 on inc. conv.)	AKM4853
TR8	AKM4779
Stag	545105
Spitfire Mk3	545017
Spitfire MkIV	545220
Spitfire 1500	RTC9221
Spitfire 1500 (USA)	AKM4544
GT6 (Mk1)	RG1293
GT6 (Mk2)	545057
GT6 (Mk3)	545186
Herald (1200 & 12/50)	512893
Herald (13/60)	545037
Vitesse (1600 Mk1)	511236
Vitesse (2 Litre Mk1)	545006
Vitesse (2 Litre Mk2)	545070
Dolomite Sprint	545601
Triumph 2000/2500	AKM3617
SD1 - Refer to catalogue	





REFERENCE & INFORMATION BOOKS

- | | | |
|--|---|--|
| 1 Original Triumph Stag - 'Restorers Guide' (James Taylor). 96 pages. 190 colour photos. RS1694 | 17 2000/2500 Road Test Book (Brooklands) 100 pages RM8226 | 31 SD1 - The Complete Story (Karen Pender) 192 pages. RO1129 |
| 2 Original TR2/3/3A (Bill Piggot) 128 pages RF4125 | Advertising Triumph -1947-1981 (Daniel Young). 96 Pages. RX1304 | 32 Practical Classics on Herald & Vitesse Restoration (Brooklands). 76 pages. RH5300 |
| 3 Original Triumph TR4/4A/5/6 (Bill Piggot) TR4/5/6 112 pages RX1294 | 18 Saloon Cars RX1304 | 33 Triumph Herald 59-71 Road Test Book (RM Clark - Brooklands).100 pages. RH5299 |
| 4 Original Triumph TR7 & TR8 (Bill Piggot) 128 pages. 200 colour photos RB7688 | 19 Sports Cars RX1303 | 34 Triumph Vitesse 62-71 Road Test Book (RM Clark -Brooklands).100 pages. RV6117 |
| 5 'Original' Range Rover (1970-86) (James Taylor) RA1226 | 20 Essential Triumph TR2 - 8 (Bayview Books). 80 pages RX1357 | 35 'Road & Track on Triumph Sports Cars 74-82 (Brooklands). 88 pages. RX1439 |
| 6 Triumph Cars: The Complete Story (Robson & Langworth). 352 pages RX1388 | 21 Triumph TR's: The Complete Story (Robson). 192 pages RX1296 | 36 TR2 & TR3 Gold Portfolio 52-61 (RM Clark - Brooklands).172 pages. RW3033 |
| 7 How to restore - Triumph TR5/250 & TR6 Paperback, 192 pages with over 300 photographs and illustrations. RX1497 | 22 Triumph Sports Cars - 1967-74 (Road & Track) 90 pages RX1269 | 37 Spitfire Competition Prep Manual (RW Kastner). 64 pages. RL1638 |
| 8 Triumph - The Sporting Years (Bill Piggot) 160 pages RX1428 | 23 Dolomite Portfolio* (Road Tests/Spec's, Performance Data, new model instructions, long term reports, rallying, touring, plus buyers guide. RT1227 | 38 GT6 Competition Prep Manual (RW Kastner). 28 pages. RG1294 |
| 9 2000/2.5Pi The Complete Story (Robson) 200 pages RM8221 | 24 The Rover V8 Engine (David Hardcastle) 208 pages. RX1429 | 39 Triumph Sports Cars (William Krause). 96 pages RX1507 |
| 10 Spitfire/GT6 Informative Guide to Origins (By John Thomason) 158 pages RL1479 | 25 Tuning Rover V8 Engines (David Hardcastle) 208 pages. RX1430 | 40 Spitfire Mk3, IV, 1500 Workshop Manual (Glovebox size) (Practical Classics reprint, 186 pages). RL1637 |
| 11 Stag Portfolio* RS1525 | 26 SD1 - Road Test Book 100 pages. (3500 & Vitesse 1976-86) RO1070 | 41 Triumph TR's: Collectors Guide (Graham Robson). 128 pages. RX1295 |
| 12 TR4/5/250 Road & Track RF4114 | 27 Range Rover - Purchase & Restoration Guide (David Pollard) RA1070 | 42 Collectors Guide (Spitfire & GT6) (Graham Robson). RL1417 |
| 13 TR6 Portfolio* RR1325 | 28 Range Rover - The Complete Story (James Taylor) RA1319 | - DIY Guide -Spitfire, Herald, GT6 & Vitesse (Haynes) <i>not shown</i> RL1418 |
| 14 TR7/8 Gold Portfolio* RB7207 | 29 Triumph Cars in America (Michael Cook) RX1506 | |
| 15 Spitfire Portfolio* RL1390 | 30 How to Restore TR4 & TR4A (Roger Williams) 192 pages. Soft cover. RX1509 | |
| 16 GT6 Portfolio* RG1140 | | |

NOT SHOWN
Please enquire for availability.

The Land Rover Experience **RA1320**

The Works Triumphs - 50 years of Motorsport (Robson) 296 pages. **RM8227**

Triumph TR7 & TR8 (Tom Sheppard). Owner & Buyers Guide. 66 Pages. **RB7375**

Spitfire Restoration Manual **RL1374**

Complete Guide (Herald/Vitesse) (Bay View Books). 112 pages **RH5071**

TR4/5/6 Autofolio **RR1339**

Triumph TR: Haynes Great Cars Series **RX1523** (Bill Piggot)

GENERAL CONSUMABLES



- WD40 (Large - 400ml)
- Easystart (Bradex)
- Radweld (Hoits, 250ml)
- Silicone Sealant (80ml tube)
- Hylomar (Gasket Sealant)(100g)
- Loctite (Tube) (24ml)
- Exhaust jointing compound
- Copaslip (Tube) (95g)
- Brake cleaner (Aerosol)
- Brake Rubber Grease
- Latex Rubber Gloves (Pack of 100)

- GAC111**
- RX1511**
- RX1508**
- GHF6093**
- GGC102**
- GAC100**
- GCH112**
- RX1345**
- GBF901**
- 514578**
- RX1406**

Adhesive (Carpet/trim);
Tin (1 Litre)
Aerosol (370g)

RX1353
RX1353A



WHEELS

MINILITE REPLICA WHEEL KITS



See page 29 for details.

WIRE WHEEL CONVERSION KIT



See page 29 for details.

TOOLS



- Rear Hub Puller **RX1542**
- Door Gap Adjusting Tool **RX1543**
Bolts between 'A' and 'B' posts to maintain correct door aperture size when replacing sills or repairing chassis.
- Valve spring compressor tool
- Overhead Valve Models **RX12260HV**
- Grease Gun **RX1423**

- Clutch Alignment Tool **RX1385**
- Oil Filter Strap Wrench **RX1514**
For cartridge (spin-on) type filter.
- Spark Plug Spanner **GAT140**
- Spring Compressor Tool **RX1328A**
- Wheel nut Brace **21A2818**

VEHICLE SECURITY

HOW DOES 'DIS-CAR-NECT' WORK?

When leaving your car, simply remove the knob to isolate the starter circuit. The 16 amp by-pass fuse will maintain current to all other electrical circuits (stereo memories, vehicle alarm etc).

Because the starter motor draws over 150 amps, any attempt to connect (hot wire) the starter motor will instantly cause the fuse to blow, immobilising the car until the knob is replaced. If this should happen, simply replace the 16 amp fuse at a convenient time.

For extra security, unscrew and remove the immobiliser knob completely, and if you intend to store your vehicle for some time, 'Dis-Car-Nect' will also prevent battery drain, simply unscrew the knob and remove the fuse.

Fits all vehicles and is easily fitted to any battery terminal.

Full installation/user instructions supplied with every unit.



- 'Dis-Car-Nect' starter immobiliser **RX1356**
- Replacement screw knob **RX1356K**
- Replacement fuse **RX1356F**

WHEEL TRIM SET



Chrome Wheel Trim Set

RL1360

WHEEL WAX

Prevents the build up of brake dust and stops corrosion. Protects against road salt, tar and grime. Gives an incredible shine.



Wheel Wax (225g)

RX1262

LUBRICANTS & FLUIDS

ENGINE OIL



Unipart (20W/50)
4.55 Litre/1 Gallon
1 litre
Duckhams Q (20W/50)
4.55 Litre/1 Gallon

GGL104
GGL614

Duckhams Q Storage Oil
4.55 Litre/1 Gallon
Castrol Running In Oil 4.55Litre/1 Gallon
Castrol Classic XL (20W/50)
4.55 Litre/1 Gallon
Unipart (10W/40) Semi-Synthetic 5 Litre

HMP190104
RX1417
RX1363
GGL657

ENGINE OIL CAPACITY (INC FILTER) 4.7 LITRES.

GEAR OIL



Unipart (EP90) 0.5 Litre

GGL190

GEARBOX 0.9 LITRES.
GEARBOX & OVERDRIVE 1.4 LITRES
DIFFERENTIAL 0.6 LITRES

BRAKE/CLUTCH FLUIDS



Unipart (DOT 3) 1 Litre
Silicone 0.5 Litre*
Silicone 1 Litre*
**Do not mix with standard fluid*

GBF103
RX1327
RX1326

UNLEADED FUEL ADDITIVES



Bottled additives are available which can be mixed with either 'Premium' or 'Super' unleaded depending upon application. It usually works out cheaper to use bottled additives than leaded or LRP - work it out for yourself!

Castrol Valvemaster
250ml

RX1407VM

Castrol Valvemaster Plus
250ml

RX1407VMP

Endorsed by the federation of British Historic Vehicle Clubs (FBHVC), having been independently tested and approved, both products offer a high level of protection against valve seat recession under all driving conditions. In addition, castrol valvemaster plus provides an octane boost to premium unleaded petrol which reduces pinking or knocking on high compression or performance applications. This also usually avoids the need to re-tune your engine. Treats 250 litres of petrol.

ANTIFREEZE



Unipart 1 Litre
Unipart 5 Litre

GAC2018
GAC2019

COOLING SYSTEM (INC HEATER) 6.2 LITRES

GREASE & LUBE



Lithium Grease (Multi-Purpose)
Unipart 0.5 Litre (Tube)
Brake Rubber Grease
Cam Lube (for assembly)

GGL111
514578
RX1358

OIL JUGS



Castrol Oil Jugs
1/2 Pint
1 Pint
2 Pint
All Three Jugs

RX1395
RX1396
RX1397
RX1398

BODY CARE



AUTOGLYM CAR CARE PRODUCTS

Autoglym Car Care Pack <i>includes items marked *</i>	RX1510
Silicone Resin Polish (325ml)*	RX1312
Bodywork Shampoo/Conditioner (500ml)*	RX1313
Car Interior Shampoo (500ml)*	RX1314
Glass Polish (325ml)*	RX1315
Cutting Polish (325ml)*	RX1316
Extra Gloss Protection (325ml)*	RX1317
Bumper Care (325ml)*	RX1318
Vinyl & Rubber Care (325ml)*	RX1319
Leather Care Cream (325ml)*	RX1320
Superglym Chrome Polish (55ml)*	RX1321
Clean Wheels (500ml)*	RX1322
Perfect Polishing Cloth (21sq ft)*	RX1323
Aqua Dry (Synthetic Chamois)*	RX1324
Clean Machine (1 Litre)*	RX1325
Hood Care & Maintenance Kit	RX1433
Alloy Wheel Seal (Silicone spray)	RX1443
Instant Tyre Dressing	RX1368
Intensive Tar Remover	RX1367

OTHER CAR CARE PRODUCTS

Sponge	RX1415
Wash Leather	RX1416

FINNEGANS 'ANTI-CORROSION' WAXOYL

Waxoyl starter kit
Inc. RX1028, RX1030, RX1031

RX1032



- Waxoyl;
- 5 Litre can
 - 2.5 Litre can
 - 2.5 Litre cartridge
 - Trigger spray gun
 - High pressure spray gun
Use with 2.5 litre cartridge
 - Extension probe
Use with high pressure spray gun
 - Aerosol (400ml)
 - Aerosol (200ml)
 - Underbody seal;
 - 1 litre
 - 500ml

- RX1027**
- RX1029**
- RX1028**
- RX1033**
- RX1030**
- RX1031**
- RX1026**
- RX1025**
- RX1024**
- RX1023**

'CONCOURS' SPECIALIST WHEEL CLEANER



The 'Concours' specialist wheel cleaning system will help you care for your Classic's wheels.

Suitable for all Steel, Alloy and Wire wheels (including painted & chromed), 'Concours' wheel cleaning system uses a unique 2-stage process that not only cleans, but gives wheels a superb lasting finish that helps to protect them, making them easier to care for and clean in the future.

'Concours' Wheel Cleaning Kit - RX1405

Kit includes;

- Special cleaning solution (580ml).
- Wooden handled cleaning brush & dispenser.
- Finishing/protection solution (180ml)
- 2 pair of disposable gloves.

Cleaning solution breaks down brake dust & road grime. Brush & dispenser gets into all those awkward places. Finishing/protection solution leaves wheels like new.

ROADSIDE TOOLS & TOURING EQUIPMENT



Tow Bar only	RL1330
<i>Less tow ball & electrical fittings</i>	
Tow 'ball' only (50mm)	GTT101
Cover (Tow ball)	GTT308
'AA' membership & relay pack	RX1329
Lightweight (Disposable) overalls; <i>Ideal for those roadside repairs. Keep a pair of these very handy lightweight general purpose overalls in the boot, you never know!</i>	
Medium (approx. 47" chest)	RX1408M
Large (approx. 51" chest)	RX1408L
Extra large (approx. 55" chest)	RX1408X
'Warning' triangle	RX1344
Safety jacket (Luminous) <i>Be Safe - Be Seen.</i>	GAC2999
Rubber disposable gloves <i>Supplied in packs of 100. They keep your hands clean & help protect your skin.</i>	RX1406
Tool bag only (For jack etc)	RX1364
Scissor jack & handle	311346
Wheel nut brace	21A2818
Tyre pump (Stirrup type)	523638A
'First-Aid' kit	RX1399
Fire Extinguisher	GAC9904

PAINTS Aerosols & Touch-in Tins



GENERAL APPLICATION (Aerosol)

Black - High Gloss (400ml)	RX4070A
Black - Matt (500ml)	RX1266
Black - Satin (500ml)	RX1538
Silver (Suitable for Wheels) (450ml)	RX1265
Lacquer - Clear (Suitable for Wheels) (400ml)	RX1261

PRIMER (Aerosol)

White (150ml)	RX4048A
Red Oxide (150ml)	RX4049A
Grey (150ml)	RX4047A

ENGINE PAINT

Engine Paint (High Heat)	
Black (400ml) (Aerosol)	RX1432A
Aluminium (400ml) (Aerosol)	RX1432AL
Brush-on (125ml) (Tin)	RX1432B

CHASSIS PAINT

Chassis Paint (For general touch up)	
Black Brush-on (125ml)	RX4070B

GT6 BODY PAINTS

COLOUR/TYPE	BL COLOUR CODE	AEROSOL	TOUCH-IN (BRUSH IN CAP)
-------------	----------------	---------	----------------------------

Body colours issued for Mk1 & Mk2

White	19	RX4009A	RX4009B
Damson Red	27	RX4057A	RX4057B
Signal Red	32	RX4065A	RX4065B
Sienna Brown	23	RX4053A	RX4053B
Jasmine Yellow	34	RX4059A	RX4059B
Conifer Green	25	RX4071A	RX4071B
Laurel Green	55	RX4060A	RX4060B
Royal Blue	56	RX4063A	RX4063B
Wedgewood Blue	26	RX4064A	RX4064B
Valencia Blue	66	RX4072A	RX4072B

Body colours issued for Mk3

White	19	RX4009A	RX4009B
Carmin Red	82	RX4020A	RX4020B
Damson Red	17	RX4057A	RX4057B
Pimento Red	72	RX4019A	RX4019B
Magenta (Red)	92	RX4061A	RX4061B
Sienna Brown	23	RX4053A	RX4053B
Mimosa Yellow	64	RX4015A	RX4015B
Saffron Yellow	54	RX4066A	RX4066B
Emerald Green	65	RX4058A	RX4058B
Laurel Green	55	RX4060A	RX4060B
Mallard Green	106	RX4067A	RX4067B
French Blue	126	RX4000A	RX4000B
Sapphire Blue	96	RX4068A	n/a
Wedgewood Blue	26	RX4064A	RX4064B
Valencia Blue	66	RX4072A	RX4072B

UPGRADED SUSPENSION PACKAGES

See page 26 for details.



STAINLESS STEEL EXHAUSTS STANDARD & SPORTS

See page 15-18 for details.





A

'A' Post	43
AA membership pack	68
Accelerator cable	13
Aerosol, paint	69
Air filter	13
Alignment tool, clutch	11
Alloy wheels	29
Alternator	34
Antifreeze	67
Anti-roll bar	23
Arches - wheel	39, 40, 46
Armrest	54
Axle	21

B

'B' Post	47
Badges	49, 61
Balljoint	23
Battery	37
Battery charger	37
Belts (seat)	53, 58
Bearing, release	11
Bearings, mains/Big Ends	9
Block, cylinder	8
Body panels	39-47
Bolt kits, suspension	25
Bolts, cylinder head	10
Bonnet	39, 40
Books	63-65
Boot floor	47
Bottom hose	12
Brake caliper	30
Brake cleaner	66
Brake disc	30
Brake drum	31
Brake fluid	32
Brake hydraulics	31, 32
Brake pads	30
Brake pipe kit	32
Brake pipes/hoses	32
Brake servo	31
Brake shoes	31
Breather - engine	13
Bulbs	35-37
Bump stop	28
Bumpers	50, 51
Bush kits, suspension	24, 25, 27, 28
Bush, shock absorber	24, 27, 28
Bushes, suspension	23-28

C

Cable, accelerator	13
Cable, choke	13
Cable, handbrake	32
Caliper, brake	30
Cam lube	67
Camshaft	11
Cap, distributor	34
Car cover	62
Carb float	13
Carburettor	13
Carpets	55
Chain, timing	11
Chassis	38
Choke cable	13
Clips, coolant hoses	12
Clock	37
Clutch fluid	11
Clutch pipe	11
Clutch kit	11
Clutch master cylinder	11
Clutch release fork	19
Clutch slave cylinder	11
Coil	34
Coil springs, suspension	24-28
Column, steering	33
Con rod	9
Condenser	34
Constant velocity joint	20-22
Contact breaker points	34
Coolant	12, 67
Coolant hoses	12
Copper grease	67
Core plug set	8
Cover, car	62
Cover, clutch	11
Cover, rocker	10
Cover, timing	11
Crankshaft	9
Crankshaft Pulley	9
CV joint	20-22
Cylinder block	8
Cylinder head	10
Cylinder liner	8

D

Dash veneer	54
Differential	21
Dipstick	8
Disc, brake	30
Dis-car-nect	66
Distributor	34
Door glass	44
Door mirrors	43, 59
Door seals	44
Door skins	43
Doors	43-45
Door gap adjusting tool	38
Drive belts	12
Drive shafts	21, 22
Driving lamps	57

E

Electronic ignition kit	34, 57
Engines	7
Engine mounts	11
EP90 oil	67
Exhaust	15-18
Expansion tank, coolant	12

F

Fan belt	12
Fan, Kenlowe	12
Filler cap, fuel	14
Filter, air	13
Filter, fuel	13
Filter, oil	8
Fire extinguisher	68
Flasher units	37
Flexi hoses, brakes	32
Flexible coupling, steering	33
Float needle	13
Float	13
Floors	46, 47
Fluid, brake & clutch	32
Flywheel	9
Fog lamps	36, 57
Follower, camshaft	11
Footwell mats	55, 60
Front hub	23
Front wing	39, 40
Fuel additive	67
Fuel filler cap	14
Fuel filter	13
Fuel level sender	14
Fuel pump	13
Fuel pipe kit	14
Fuel tank	14
Full engine	7
Fuses	37

G

Gaiter, gear lever	19
Gaiter, handbrake	32
Gasket sets - engine	10
Gauges	37
Gear oil	67
Gearbox	19
Gear knob	19, 59
Gearbox mountings	11
Glass	42, 44
Grille, radiator	39, 41

H

Halfshaft, axle	21, 22
Handbooks	64
Handbrake cable	32
Haynes manual	63
Head, cylinder	10
Headlamp	35, 57
Headrest	53
Heater hoses	12
Heater valve	12
Horn	37
Hose clips, coolant	12
Hose kit, coolant	12
Hoses, coolant	12
Hoses, heater	12
Hub, front	23
Hub, rear	21, 22
Hub cap	29
Hub puller	21, 22
Hydraulics, brake	31, 32

I

Ignition switch	36
Indicator	36
Inner wing - rear	46
Instruments	37
Interior lamp	36

J

Jack	68
Jet, carb	13

K

K&N filter	13, 56
Kenlowe fan	12, 57
Key fob	60
Kick plates - sill	59
Kit, brakes	30
Kit, coolant hoses	12





L

Lamps	35, 36
Leads, spark plugs	34
Liners, piston	8
Link, anti-roll bar	23
Locking wheelnuts	29

M

Manifold - exhaust	15, 16
Master cylinder, brake	31
Master cylinder, clutch	11
Metering needle	13
Mirror, rear view	54
Mirror glass, doors	43
Models - car	61
Mounting, engine	11
Mounting, gearbox	11
Mudflaps	60

N

Needle guide	13
Needle valve	13
Needle, carb	13
Non-return valve, servo	31
Number plate lamps	36
Number plates	60
Nuts, roadwheel	29

O

Oil	67
Oil cooler kit	8, 56
Oil filter	8
Oil pump	8
Oil pressure gauge	8, 56
Oil pressure switch	8
Oil seals	6
Oil seal, valve stem	10
Overdrive	19
Overhaul kits - suspension	25

P

Pads, brake	30
Paint	69
Pedal rubber, brake	31
Pedal rubber, clutch	11
Pilot (spigot) bush	9
Pipes, brake	32
Pistons - engine	9
Plate, clutch	11
Plug lead set	34
Plug, core	8
Points	34
Poly bushes	23-28
Pressure cap, coolant	12
Propshaft	20
Pulley, Crankshaft	9
Pump, water	12
Push rod, clutch	11, 19
Pushrod (OHV)	10



Q

Quarterlight	
front	44
rear	48
Quarter valance (front)	41

R

Radiator	12
Rear axle	21
Rear hub	21, 22
Rear view mirror	54
Rear wing	46, 47
Regulator, window	45
Relays	37
Release bearing	11
Release fork, clutch	19
Repair kit, brake mast.cyl	31
Repair kit, clutch mast.cyl	11
Repair kit, clutch sl.cyl	11
Repair panels	39-47
Repeater lamps, front	35
Rev counter	37
Reverse switch	36
Ring gear, flywheel	9
Rings, piston	9
Roadwheel	29
Rocker arm	10
Rocker cover	10, 56
Rocker gear feed kit	56
Rocker shaft	10
Roof panel	48
Roto flex	22, 28
Rotor arm	34
Running-in oil	67

S

Seal, door	44
Seals, oil	6
Seal, windscreen	42
Seat belts	53, 58
Seat covers	52
Sender, fuel level	14
Sender, temperature	12
Servo, brake	31
Shear bolt, ignition	33
Shock absorber	24, 26, 27, 28
Shoes, brake	31
Short engine	7
Side lamps	35
Side repeater lamps	35
Sills	46
Sills trim	59
Slave cylinder, clutch	11
Solenoid	19, 34
Soundproofing kit	55
Spark plug	34
Speedometer	37
Spigot (pilot) bush	9
Spin-on oil filter	8, 56
Spoiler - front	59
Sports exhaust system	16-18
Springs, suspension	24, 26, 27, 28
Spring compressor tool	24, 66
Springs, valve	10
Sprocket, camshaft	11
Stainless steel exhaust	15-18
Starter motor	34
Steering arm	23
Steering column	33
Steering wheel	33
Steering rack	33
Stub axle	23
Studs, roadwheels	29
Stromberg carbs	13
Sump	8
Sun visors	53
Suspension bushes	23-28
Suspension kits	25, 26
Switches & controls	36

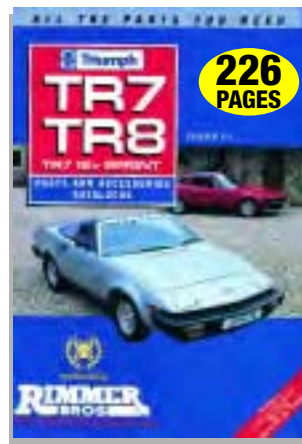


T	
Tailgate	48
Tank, fuel	14
Temperature fender	12
Thermostat, coolant	12
Thermostat, oil cooler	8
Timing chain	11
Timing cover	11
Tools	66, 68
Top hose	12
Tow bar	68
Track rod end	33
Transfers	49, 61
Transmitter, oil press.	8
Trim panels	53
Trunnion - suspension	24
Tubular exhaust manifold	16
U	
Universal joint	20, 21, 22
Uprated brakes	30
Uprated suspension packs	26
V	
Vacuum advance unit, distr	34
Valance	
front	41
rear	47
Valve guides	10
Valve springs	10
Valve caps	60
Vertical link	
front	23
rear	27, 28
Vouchers - Rimmer Bros	60
Videos	63

W	
Washer bottle	34
Washer jet	34
Washer pump	34
Water pump	12
Waxoyl	68
WD40	66
Wheel cylinder	31
Wheel studs	29
Wheel, alloy	29
Wheel, wire	29
Wheelarch	
front	39, 40
rear	46
Wheelbox, wiper	34
Wheelnuts	29
Wheelstud	29
Window regulator	45
Windscreen	42
Windscreen seal	42
Wing	
front	39, 40
rear	46, 47
Wiper blade	34
Wiper motor	34
Wipers	34
Work light	57
Wiring Looms	37
Wire wheels	29
Wishbone - front	23, 24
Workshop consumables	66



ACKNOWLEDGMENTS
 Rimmer Bros would like to thank the many GT6 owners who volunteered their cars for location photography used in this catalogue.



BROWSE OUR CATALOGUES ON YOUR PC!
SEE PRICE GUIDE FOR DETAILS



OUR CATALOGUES

ARE YOUR PASSPORT TO THE FINEST MAIL-ORDER PARTS SERVICE

RIMMER BROS CATALOGUES

If you are a Triumph, SD1, Range Rover, Freelander or Discovery owner - a catalogue will be despatched FREE including post & packing.

Small postage charge made for additional catalogues.

FOR YOUR COPY, PHONE, FAX, WRITE OR E-MAIL, QUOTING YOUR CUSTOMER NUMBER IF POSSIBLE.

FULL SET OF CATALOGUES (POSTAGE CHARGES)
£10 (UK) £15 (Europe) £35 (Rest of World)

Once registered as a customer for a specific vehicle you will be automatically updated (free of charge) with any new catalogue or price guides as they are published.



DO YOU HAVE ANY OLD UNITS? WE'RE BUYERS AS WELL AS SELLERS

Alongside our new parts, we also offer parts which have been reconditioned (to the very highest standards). Because of this, we are often in the market for engines, gearboxes and axles which are suitable for reconditioning purposes. Please give us a call.

ALL PARTS ARE GUARANTEED

"It's our objective to ensure the satisfaction of every one of our customers."

Please refer to our Price Guide for warranty information.



BRITISH MOTOR
HERITAGE APPROVED



BUSINESS HOURS

8.30am - 5.30pm Monday to Friday. 8.30am - 1.30pm Saturday.
(Closed Sunday and Bank Holidays Except Good Friday)

HOW TO FIND US

We're 2 miles south of Lincoln, on the A15 Lincoln to Sleaford Road.

RIMMER BROS

Rimmer Bros Ltd. Triumph House, Sleaford Road, Bracebridge Heath, Lincoln LN4 2NA, England.

Telephone: 01522 568000.

Fax: 01522 567600. E-Mail: sales@rimmerbros.co.uk www.rimmerbros.co.uk