

ALL THE PARTS YOU NEED

TRIUMPH

Vitesse

1600 & 2 LITRE

PARTS & ACCESSORIES CATALOGUE



BRITISH MOTOR
HERITAGE APPROVED



RIMMER
BROS

EDITION 2.1
SOURCE CODE VCM8

THE RIMMER BROS SERVICE

WE HAVE THE
PARTS

WE GUARANTEE
THE QUALITY

WE'RE KEEN
ON PRICE

WE DELIVER
FAST

WE KNOW YOUR
CAR



The Herald was to sire a complete family of cars, to include the Spitfire and the GT6, also the Vitesse which was launched in May 1962.

Marketed in the USA as the "Sports 6", the Vitesse was a 6-cylinder car which began life with a 1596cc power unit. Michelotti gave it a distinctive slanting V-shaped front with twin headlamps. Mechanically it was very akin to the GT6.

Vitesse landmarks are the 2-litre in 1966, when the engine was updated to 1998cc, and the Mark II (with Mark II suspension) in 1968. The Vitesse was produced until 1971, a total of just over 50,000 being built.

HELPING YOU CARE FOR YOUR VITESSE

The Triumph Vitesse is an ideal car for an enthusiast to maintain. With its separate chassis, its simple system of bolt-on components and easy front-end access afforded by the forward hinging bonnet, it is a do-it-yourself dream.

But, for a car where even the later models ceased production in 1971, far less easy is to continue to find good quality parts. This is where Rimmer Bros come into our own.

BRITISH MOTOR HERITAGE

Heritage Approval means that Rimmer Bros meet strict criteria regarding quality of service, product knowledge, financial stability, premises and that they carry a broad range of Heritage Original Equipment parts in stock.



Customer Benefits

The quality of service you receive is of the highest order and you know you are dealing with the best companies in the classic sector.

Only the premier companies in the classic sector are approved to display the accreditation sign. Rimmer Bros have been Heritage approved for Triumph & Rover SD1 since 1987.

BRITISH MOTOR
HERITAGE APPROVED

British Motor Heritage parts are produced to the highest standards, mostly from the original tooling and to the original specification. All British Motor Heritage parts are identified by a distinctive product label.



THE CARS WE SPECIALISE IN

As well as caring for your Vitesse, we also concentrate on Herald, TR2, TR3, TR4, TR5, TR6, TR7/8, Stag, Spitfire, GT6, 2000/2500/2.5Pi, Dolomite, Rover SD1, Range Rover, Discovery, Freelander, Defender, 90/110 & Land Rover 'Series' vehicles.

Additionally, we also supply parts for MG Rover cars - Rover 100/200/400/600/800/25/45/75/ZT & MGF.

Please refer to inside rear cover for details on all our catalogues.



**RIMMER
BROS**

UK - WORLDWIDE - THE



SO WHERE DO WE GET OUR PARTS

Wherever possible we supply original stock from BL/Rover sources - lots of parts are still manufactured. Where this fails, we sometimes have parts re-manufactured. We have Heritage approval to do this, because we have satisfied them as to our quality control standards, and we use original tooling and factory drawings where these are available. Where original parts are unavailable and the cost of re-manufacture is prohibitive, we may supply a suitable alternative or in certain cases offer reconditioned or a used (non safety critical) part.



THE STOCK WE NEED TO GIVE THE SERVICE YOU NEED

Our degree of specialisation means two things. Firstly, our people know the cars we're dealing with inside and out, and can give you any advice you might need regarding part selection. Secondly, we are able to stock in depth just about any part you might need. Triumph House was acquired in 1991. With over 75,000 square feet of warehousing alone, it is a cavernous building, and it needs to be! It currently contains more than 350,000 recorded part numbers with over 35,000 stock lines, and we hold as many of each as necessary to make it almost impossible to run out of stock. All other aspects of our operation receive equal emphasis. A truly efficient mail order and stock control system. The latest racking and storage facilities for fast and accurate "order picking". Careful packaging and despatch procedures.

MODELS COVERED IN THIS CATALOGUE
 This parts catalogue primarily covers models for the UK and European markets, and to a less extent vehicles for the USA (especially the later USA models), as many parts are common to all models such as: Brakes, Suspension, Bodywork etc.



THE PEOPLE YOU'RE DEALING WITH

This company really is owned by two brothers named Rimmer. Bill and Graham started their business from humble beginnings in the early 1980s, and it has grown to be one of the leading organisations of its kind in the world, supplying parts Worldwide to an ever growing list of customers. Both Bill and Graham still work full-time in the business, helped now by over 60 members of staff. The main qualification of membership of our staff is a recognition that our customers, and our company reputation, depend on our ability to get every aspect of our service right first time.



COMMITMENT TO CUSTOMER SERVICE

Helpful - Accurate - Fast - Efficient

The overall objective at Rimmer Bros is to achieve customer satisfaction at all times.

Our people know your car well, and every member of our staff is dedicated in helping to preserve Classic Cars.

Our computer system gives up-to-the minute information regarding availability and the price of any item.

We have an enviable reputation for despatching goods when the customer needs it, quickly and efficiently.

We try to make all our systems and documentation easy to follow and use, and make sure that our catalogues and price guides really do help our customers choose the right parts easily, first time.



TRADE MARKS & LOGOS: The 'Triumph' and 'Heritage' logos used herein are registered Trade Marks of British Motor Heritage Ltd, and are used with their license under the special 'Heritage' approval scheme.

ILLUSTRATIONS: The factory line drawings of parts are also reproduced under license from British Motor Heritage Ltd.

© Copyright Rimmer Bros. All rights reserved. No part of this publication may be copied, reproduced, stored in any retrieval system, communicated or transmitted in any form or by any means, including Photocopying, Electronic, Mechanical or otherwise, without prior written permission from Rimmer Bros Ltd.

TRIUMPH PARTS SPECIALIST

RIMMER BROS

TELEPHONE

01522 568000

(Overseas +44 1522 568000)

FAX

01522 567600

(Overseas +44 1522 567600)

E-MAIL

sales@rimmerbros.co.uk

WEBSITE

www.rimmerbros.co.uk

ADDRESS

Rimmer Bros, Triumph House,
Sleaford Road, Bracebridge Heath,
Lincoln, LN4 2NA, England.

ORDERING BY E-MAIL AND THE INTERNET

Our website holds details on all our parts catalogues, has up to date prices and an on line ordering facility. Use our E-Mail address for sending your order or parts enquiry.

www.rimmerbros.co.uk

E-Mail: sales@rimmerbros.co.uk



Order through our website using our secure on-line ordering system!

All the latest news, special offers, products and prices just a 'click' away.

HOW TO

THIS CATALOGUE & OUR PRICE GUIDE

There are no prices in this catalogue. Use it to select the parts you need, then check their cost by referring to our web site or the separate Price Guide (or CD rom) which represents the other half of our ordering system. The Price Guide is updated and reprinted more frequently, but we ask that you confirm all prices when ordering. It may also list additional parts (new lines) that we have introduced since this catalogue was printed, and it has more detailed information about ordering & delivery methods. It also has information on warranties and a 'Trouble Shooter Guide'.

ORDERING BY PHONE

Please quote your home postcode and part numbers where possible. This gives instant access to our computerised records and stock control system. If you have any difficulty in selecting the parts you need, our expert staff can help.



UK Payment for Phone Orders

(See also "Overseas Orders & Payment.")

When you have checked on price, availability and delivery costs you can place your order by phone using Visa, MasterCard, Delta/Connect, Maestro, Solo, American Express, Diners Club, or JCB. You will need to tell us the card number, expiry date (or issue number), CVC security number, cardholder's full name and registered card address.

After Hours Ordering Service

We operate a 24-hour answering/ordering service which is available to card holders out of normal hours for both UK and Overseas customers. Just leave all necessary details on our telephone voice mails, ie your vehicle type, year, model, the parts and/or the part numbers you require, plus your name, address (inc. postcode), credit card details and delivery address (if different).

Writing out these details before phoning usually helps a caller to give us clear instructions. If at all possible, please also leave a daytime telephone number.

ORDERING BY POST

Triumph House, Sleaford Road, Bracebridge Heath, Lincoln, LN4 2NA, England.

We ask you to phone first if at all possible - to check your parts selection, and to advise of delivery charges. Because prices and availability sometimes change, we can also confirm the exact remittance needed, avoiding unnecessary delays. If you have not been able to telephone, please give us all possible information - car type/year, RH or LH, front/rear etc - so we can check your selection (including your name, address and postcode) in all correspondence.

Use our Order Form if you can. It asks specifically for all the details we might need. Please photostat or request additional copies of the order form if required.

UK Payment for Post Orders (See also "Overseas Orders & Payment.")

Send your remittance with the order. The 'Pricing' section in the Price Guide tells you how to calculate the amount.

We accept payment by personal cheque even if the cheque guarantee card limit is exceeded. All we require is your full name and address on the back of the cheque along with your cheque card number and for business cheques, a relevant letterhead. Cheques or P.O.s made out "Rimmer Bros Ltd" please.

Note, if you are unsure as to the exact amount to send, you can write across the top of your cheque, "Cheque Value Not To Exceed £...". You can post us your credit card details if you prefer. If you send cash, note that we cannot accept responsibility for any loss, so registered mail is essential. Bank drafts and Building Society cheques are also accepted. For Bank Transfer information see Price Guide.

ORDERING BY FAX

UK CUSTOMERS: 01522 567600 OVERSEAS CUSTOMERS: +44 1522 567600

See also "Overseas Orders & Payment."

Another facility for customers who wish to make enquiries, or order by credit, debit or charge card. Again, we will need your name, address (inc. postcode), credit card details and delivery address (if different). Plus fullest possible car/parts details - as for orders by post.

ORDER

COLLECTING IN PERSON

If you wish to 'call and collect', you will always be made welcome at our shop and sales counter during business hours. Our Visitor Information Centre has lots of interesting details of each production model and the factories where they were produced.

Customers drive here regularly from all over Europe. Lincoln is a historic Cathedral city and is an excellent place to visit. We're about 2 miles south of Lincoln on the A15 Lincoln to Sleaford road (see map on back cover). We advise you to pre-check by phone that we have the part/s you want in stock.

We accept payment by credit card, cash, bank draft, travellers cheque, building society cheque, and personal cheque (when presented with a cheque card) even if the cheque card limit is exceeded, and by business cheque with accompanying letterhead.

PRICING

For full information and details on prices, VAT, & VAT exempt export sales, please refer to our web site or the latest Price Guide. Written quotations are available on request, for parts and/or delivery charges. Please confirm all prices when ordering - prices and availability can sometimes change at short notice. Please note that our latest prices can be found on our web site.

OVERSEAS ORDERS & PAYMENT

We supply parts to car owners Worldwide. We have thousands of customers in Europe and regularly send parts as far afield as Australia, North America, Africa and the Far East. Delivery costs of course, vary greatly (depending on size/weight/ urgency). We can quote accurately for the cost of parts and delivery once your requirements are known.

Our Multi-language European Order Forms explain how to order parts in English, Italian, German, Spanish and French.

Payment By Export Customers:

There is a choice of payment methods for customers overseas;

- A) Credit card, Debit card or Charge card.
- B) Bank cheque - in ££s sterling (Drawn on a London Bank)
- C) Travellers Cheques (signed) - in ££s sterling.
- D) Giro Cheques in ££s sterling.
- E) By Bank Transfer - see Price Guide.

PLEASE NOTE THAT ALL TRANSACTIONS MUST BE IN ££s STERLING.

CHOICE OF DELIVERY METHODS

(For Further Information/Cost Details, Please Refer to Price Guide)

UNITED KINGDOM

There are numerous delivery options for the UK mainland ranging from Post to overnight carrier services. We can advise of the best method of despatch when you telephone. The type of service that we recommend depends upon the size, weight and urgency of the parts you require.

Our price guide indicates the approximate costs, and we will confirm the final invoice total at the end of the call if required.

WORLDWIDE (NON EC COUNTRIES)

We started exporting parts Worldwide in 1982, and since then we have gained an excellent reputation for our speed & efficiency of service.

Delivery costs are based on size, weight, and method of delivery. We have discounted rates with well known carriers, so costs are kept to a minimum. Send us a list of the parts you need (using post, phone, fax or E-Mail), tell us quantities and urgency, and we will work out the best delivery method and quickly advise you of the cost.

Written quotations are available on request. Please note that any local import duty, taxes or customs clearance are not included in our prices.

EC COUNTRIES

The European Community Single Market permits the free movement of goods between all EC countries. This allows us to provide a superb service to all our customers within the EC, with the benefits of improved delivery - via lower charges and easier documentation. Deliveries can be easily arranged using air or surface transport. Our Price Guide indicates approximate costs.



TEL: **+44 1522 568000**
FAX: **+44 1522 567600**
E-MAIL: **sales@rimmerbros.co.uk**

CATALOGUE CONTENTS

VEHICLE PRODUCTION SUMMARY	Page 6
QUICKFINDER (Popular Parts)	Page 7
ENGINE	Page 9
CLUTCH	Page 14
ENGINE & GEARBOX MOUNTINGS	Page 14
COOLING & HEATING	Page 15
FUEL SYSTEM	Page 17
EXHAUST SYSTEM	Page 19
GEARBOX	Page 21
OVERDRIVE	Page 24
PROPSHAFT	Page 24
DIFFERENTIAL & DRIVE SHAFTS	Page 25
SUSPENSION OVERHAUL KITS	Page 27
SUSPENSION - FRONT	Page 28
SUSPENSION - REAR	Page 31
SUSPENSION PACKAGES	Page 33
ROAD WHEELS	Page 34
BRAKE SYSTEM	Page 35
STEERING	Page 38
ELECTRICAL	Page 40
CHASSIS	Page 44
BODY PANELS & FITTINGS	Page 45
INTERIOR TRIM	Page 51
HOODS	Page 58
ACCESSORIES	Page 59
PAINT	Page 77
HARDWARE/FASTENERS	Page 77
INDEX	Page 80

NEW & RECONDITIONED PARTS

Almost every part we list is sold brand-new, but in many instances we also offer you the facility to buy "Reconditioned" (usually giving us your old component in part-exchange).

Where there is a reconditioned version of a part, you will find the letter 'R' added at the end of the part number.

EXCHANGE SURCHARGES (REFUNDABLE)

Where parts are sold on an exchange basis, an "Exchange Surcharge" is applied - a deposit in effect, which is refunded to you when your old unit is received by us. This system allows you to make an exchange without having to send the old unit first ... it can often prevent your vehicle being off the road. The amount of the Exchange Surcharge is shown in the Price Guide in italics below the part number.

Before returning your old unit, please telephone our customer service dept on 01522 568000 in order to obtain a return authorisation number. See reverse of invoice for full details of return procedure. Units must be drained of oil, water and be serviceable; we reserve the right to retain all or part of the surcharge if the unit is irreparable, damaged, incomplete or not identical to the type supplied.

SELECTED USED PARTS

We are often asked for parts that are no longer available, where the cost of re-tooling or re-manufacturing is prohibitive, and there is little or no chance of the part becoming available. We have also found that some customers prefer the option of being able to buy a (non safety critical) used alternative, where perhaps the cost of a new part is unjustified.

Over the years, we have acquired many parts which are suitable for re-sale. You will find these parts listed in the Price Guide under the same part number reference as new but with a 'U' suffix. All used parts have been cleaned and inspected and are sold as serviceable when fitted.

"Errors & Omissions Excepted. All parts offered subject to availability. All part numbers, illustrations and photographs used in this catalogue are intended for reference/identification purposes only, and are not necessarily an exact representation of the goods supplied. Whilst we make every effort to ensure the accuracy of product descriptions in this catalogue, they are based upon information supplied by the manufacturer/distributor at the time of publication. There may be occasions - due to circumstances beyond our control - when specifications are changed, or when goods become temporarily unavailable." Certain part numbers have been superseded to an alternative number when a later version or updated specification is offered.

Vitesse

Like the Spitfire which closely followed the introduction of the Herald, the Vitesse 1600 nearly didn't come into being. It was only down to the backing of Leyland Motors, the new owners of Standard-Triumph. They had started to develop a six cylinder Herald, but due to the financial restrictions in 1960/61, the money was not available to take it to fruition.

With the ease that people now transplant six cylinder engines into Heralds, you would have thought that it was an easy and logical step to develop the Vitesse from the Herald. However it was not as simple as it might seem. Not only did the designers have to find room for the extra length of the six cylinder engine, but the gearbox and the back axle were woefully inadequate to handle the extra torque and power that the new model would provide. By 1961 most of the technical problems had been solved and Atom, as the project was code named, was well under way.

At a board meeting, the Atom project was added to the plans for introduction in 1961/62 with upwards of 3,500 cars to be made in the first year and 8,500 cars in the following year. Due to having to develop the new car as quickly and as cheaply as possible, the proposal to restyle the rear of the car was dropped, and from the rear, the Atom was very little different from the Herald. It was hoped to have the car ready for the 1961 Earls Court Motor Show however, the new car which came to be called Vitesse was finally launched in May 1962.

Due to the need to strengthen up the chassis from what we now refer to as the MK1 chassis used by the early Heralds, it was decided to incorporate the Vitesse improvements that would then be used throughout the Vitesse and Herald models from there on.

The first Vitesse models used the newly launched six cylinder 1,596cc /70bhp engine derived from the Vanguard Six 2 litre power unit. This was physically the same size as the 2 litre unit and caused a few problems trying to get everything under the bonnet. The designers achieved this by pushing the radiator further forward and the use of a remote header tank which ran parallel to the engine block. The first cars were fitted with down-draught Solex carburettors. The latter 1600cc cars had Stromberg CD150 side draught carburettors.

When launched, it was priced at £837 for the saloon and £893 for the convertible although there were some different touches from the Herald, like the quad headlamps, aluminium bumpers and a larger fuel tank. It was soon obvious that it was built to a price, as the dash was virtually identical to that found in the 1200 Herald.

Due to poor press reports on both sides of the Atlantic in September 1963, Triumph made some much needed improvements to the Vitesse. The dashboard was now equipped with matching speedometer and rev counter along with separate fuel and water temperature gauges. As British purchase tax had just been reduced, the new improved 1600 Vitesse was actually cheaper than the original model.

By the end of summer 1966, a very different and faster Vitesse would take over from the 1600 model. Even in 1963 it did not take much imagination to see that a 2 Litre engine could be fitted into the Vitesse, but it took 3 years before this much anticipated modification came to fruition.

Most of the modifications were hidden away under the bodywork, the new car would gain an improved differential, a new type of gearbox, larger front brakes and of course a 2 Litre engine.

Due to a well thought out launch date, (the same day as the brand new GT6!) the 'new' Vitesse did not get much press coverage. However the car was substantially faster and produced more torque than the outgoing model. Unfortunately nothing was done to the rear suspension and this facet of the design was again picked upon as it was in the newly launched GT6. So in the autumn of 1968, the MK2 and last incarnation of the Vitesse was launched. The new rear suspension was a clever design and silenced the criticism that had been directed at the old set up. All throughout the life of the Vitesse it had only been officially offered in Saloon and convertible options, although there were a few dealer produced estate conversions. The last Vitesse came of the production line in May 1971 with a total of 51,232 built.



VEHICLE PRODUCTION & SPECIFICATION SUMMARY

MODEL	PRODUCTION DATES,	TOTAL BUILT,	COMMISSION NUMBERS
Vitesse 1600 Saloon	May 1962 to September 1966	22814	HB4DL to HB34053
Vitesse 1600 Convertible	May 1962 to September 1966	8447	HB47CV to HB34053
Vitesse 2 Litre MK1 Saloon	September 1966 to September 1968	7328	HC6 to HC12079
Vitesse 2 Litre MK1 Convertible	September 1966 to September 1968	3502	HC6 to HC12079
Vitesse 2 Litre MK2 Saloon	July 1968 to July 1971	5649	HC50001DL to HC57996DL
Vitesse 2 Litre MK2 Convertible	July 1968 to July 1971	3472	HC50006CV to HC58109CV

MODEL SUFFIX LETTERS

MODEL TYPE	SUFFIX LETTERS
Saloon	DL
Convertible	CV
Overdrive	O
Sun Roof (Factory)	RS
Left Hand Drive	L

CAPACITIES

FUEL 8³/₄ Gallons (40 litres)

OIL

Engine	8 Pints (4.7 litres)
Gearbox	1 ¹ / ₂ Pints (0.9 litres)
Rear Axle	1 Pint (0.6 litres)
Cooling	11 Pints (6.25 litres)

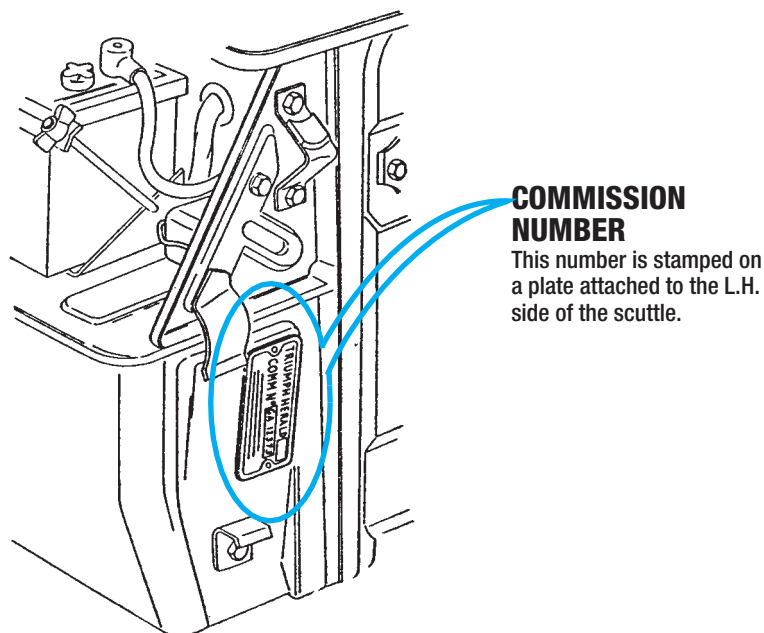
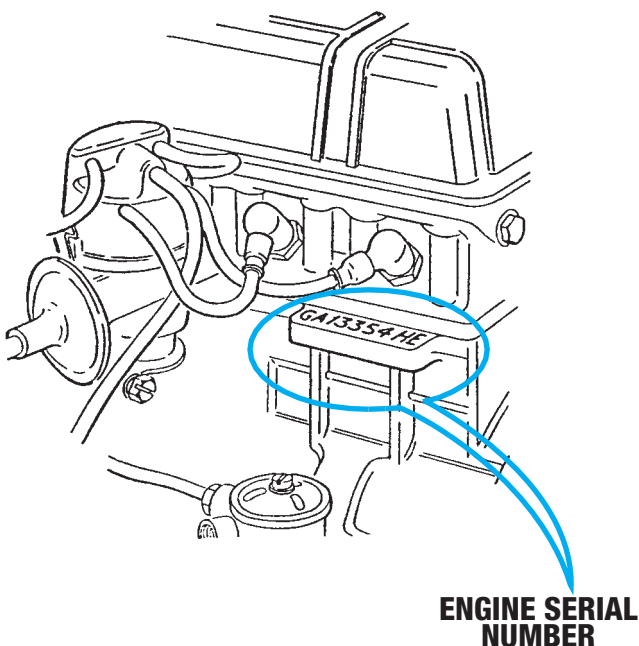
YOUR VEHICLE DETAILS

ENTER YOUR VEHICLE DETAILS HERE FOR EASY REFERENCE

Model	_____
Year of Manufacture	_____
VIN/Chassis Number	_____
Engine Type	_____
Engine Number	_____
Gearbox Type	_____
Paint Code	_____
Trim Code	_____

ENGINE & COMMISSION NUMBERS

These illustrations show where to locate the Engine number and the Body Commission number on the Triumph Vitesse.



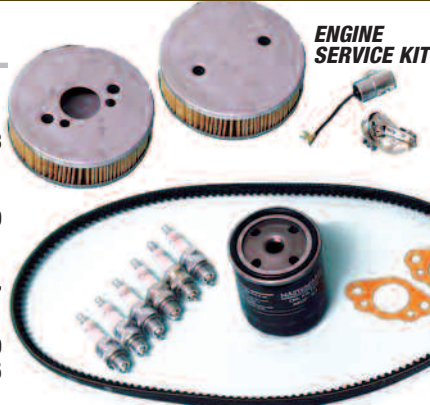
QUICK FINDER

This section will help you quickly find the parts which are most frequently called for.

Each part is then listed again under its appropriate section later in the catalogue.

Service Items

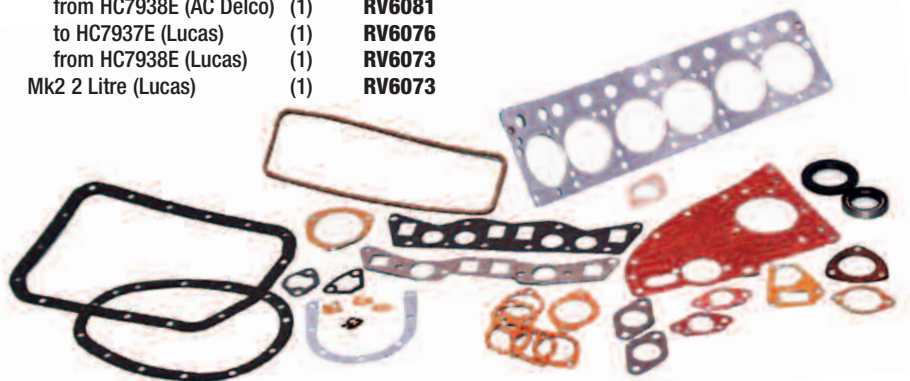
Oil filter element;			
Standard	(1)	GFE131	
Spin on conversion type	(1)	RR1243	
Air filter element;			
1600 up to engine number HB27985E	(1)	GFE1009	
1600 from HB27986E & all 2 Litre	(2)	GFE1051	
Oil pressure switch	(1)	GPS117	
Distributor cap;			
AC Delco	(1)	GDC109	
Lucas	(1)	GDC115	
Rotor arm;			
AC Delco	(1)	GRA2110	
Lucas	(1)	GRA102	
Condenser;			
AC Delco	(1)	GSC104	
Lucas	(1)	GSC111	
Contact breaker points;			
AC Delco	(1)	GCS105	
Lucas	(1)	GCS101	
Spark plugs;			
Standard	(6)	GSP4382	
Double core	(6)	GSP4382HP	
Plug lead set;			
Standard	(1)	GHT142	
Silicone	(1)	GHT142S	
Lumenition performance	(1)	GHT142P	
Ignition coil (12 volt);			
Standard	(1)	GCL110	
Lucas	(1)	GCL110LUCAS	
High performance	(1)	GCL110HP	
Fan belt;			
1600	(1)	GCB11038	
2 Litre Mk1 to HC7937E	(1)	GCB11125	
2 Litre Mk1 from HC7938E	(1)	GCB11088	
2 Litre Mk2	(1)	GCB11088	
Wiper blade	(2)	GWB112	
Fuel filter (inline)	(1)	GFE7004	



Engine Service Kits

Engine service kits;
Inc; plugs, points, air & oil filter, fan belt and condenser.

1600 up to engine number HB15000E (Lucas)	(1)	RV6120
HB15001E to HB27985E (AC Delco)	(1)	RV6121
HB27986E (AC Delco)	(1)	RV6122
Mk1 2 Litre engine number to HC7937E (AC Delco)	(1)	RV6049
from HC7938E (AC Delco)	(1)	RV6081
to HC7937E (Lucas)	(1)	RV6076
from HC7938E (Lucas)	(1)	RV6073
Mk2 2 Litre (Lucas)	(1)	RV6073



Engine Gaskets

Head gasket set;			
1600	(1)	GEG185	
Mk1 2 Litre	(1)	GEG115	
Mk2 2 Litre	(1)	GEG198	
Head gasket only			
1600	(1)	208652	
Mk1 2 Litre	(1)	207102	
Mk2 2 Litre	(1)	GEG346	
Rocker cover gasket (All)	(1)	GEG413	
Exhaust/inlet manifold gasket;			
1600 & Mk1 2 Litre	(1)	AJM613	
Mk2 2 Litre	(1)	GEG682	
Exhaust downpipe gasket;			
1600	(1)	GEG701	
Mk1 2 Litre	(1)	GEG701	
Mk2 2 Litre	(1)	GEG718	
Timing cover gasket	(1)	211126	
Front engine plate to block gasket;			
1600 & Mk1 2 Litre	(1)	205457	
Mk2 2 Litre	(1)	215350	
Sump gasket set;			
Inc seals	(1)	GEG214K	
Less seals		GEG214	
Sump gasket only	(1)	GEG515	
Water pump gaskets;			
Water pump to housing	(1)	138701	
Housing to cylinder head	(1)	138792	
Thermostat gasket	(1)	GTG103	
Fuel pump to block gasket	(1)	138791	
Core plug set;			
<i>For block & cylinder head.</i>			
1600 dished type	(1)	RV6123	
1600 bucket type	(1)	RV6124	
2 Litre	(1)	RG1034	





Oil Seals

Crankshaft oil seal;			
Front (<i>timing cover</i>)	(1)	UKC1110	
Rear (main)	(1)	143456	
Gearbox oil seals;			
Front cover	(1)	132292	
Rear output			
Non overdrive	(1)	88G564	
Overdrive	(1)	7H8325	
Differential oil seals;			
Pinion (front)			
1600	(1)	109054	
2 Litre, All	(1)	DAM5079	
Output (side)	(2)	117952	
Front hub seal	(2)	GHS146	
Rear hub seal;			
Non Rotoflex models			
Inner	(2)	128978	
Outer	(2)	GHS111	
Rotoflex models			
Inner	(2)	GHS125	
Outer	(2)	GHS130	

Mountings & Suspension Bushes

Engine mounting (<i>Rubber</i>)	(2)	154994	
Gearbox mounting (<i>Rubber</i>);			
Non-overdrive	(2)	122689	
Overdrive	(1)	159656	
Differential mounting bushes;			
Rear			
Standard	(2)	117578	
Polyurethane	(2)	117578POLY	
Front - Upper			
Standard	(2)	133568	
Polyurethane	(2)	133568POLY	
Front -Lower			
Standard	(2)	131796	
Polyurethane	(2)	131796POLY	



Front Suspension

Please refer to FRONT SUSPENSION for detailed listings.

Anti roll bar mounting bushes;			
Standard	(2)	123998	
Polyurethane	(2)	123998PS	
Upper wishbone bush;			
Standard	(4)	119451	
Polyurethane	(4)	119451POLY	
Upper suspension overhaul kit;			
Standard	(2)	RH5080	
Polyurethane	(2)	RH5080POLY	
Lower inner suspension overhaul kit;			
Standard	(2)	RG1193	
Polyurethane	(2)	RG1193POLY	
Trunnion bush kit front	(2)	514191	
Trunnion bush kit rear	(1)	514370	
Front shock absorber bush;			
Upper			
Standard	(4)	517985	
Polyurethane	(4)	517985POLY	
Lower			
Standard	(2)	119450	
Polyurethane	(2)	119450POLY	

Rear Suspension

Non Rotoflex Models

Rear spring bush;			
Standard	(2)	C8939A	
Polyurethane	(2)	C8939APOLY	
Radius arm bush;			
Standard	(4)	119451	
Polyurethane	(4)	119451POLY	
Shock absorber bush;			
Standard	(8)	102987	
Polyurethane	(4)	102987POLY	

Rotoflex Models

Rear spring bush;			
Standard	(2)	C8939A	
Polyurethane	(2)	C8939APOLY	
Radius arm bush;			
Standard	(4)	119450	
Polyurethane	(4)	119450POLY	
Rotoflex coupling;			
Original	(2)	GCD301	
Replacement	(2)	GCD301P	
Bolt kit (<i>Rotoflex coupling</i>)	(2)	RG1053	

Kits

Clutch kit (<i>includes OE spec cover, plate & bearing</i>);			
1600	(1)	RV6002	
2 Litre all	(1)	RG1018	
Hose kit (<i>includes all radiator/heater hoses & clips</i>);			
1600 (early)	(1)	RV6105	
1600 (late) & 2 Litre	(1)	RV6106	
Front hub bearing kit (<i>per hub</i>)	(2)	GHK1011	
Rear hub bearing kit (<i>per hub</i>);			
Non Rotoflex	(2)	GHK1022	
Rotoflex	(2)	GHK1528	
Brake kits (Front)			
<i>Please refer to 'Brake System' for details on all brake kits.</i>			
Disc & Pad set (<i>2 discs & pads</i>);			
1600			
Standard discs & pads	(1)	RL1525	
Uprated discs & pads			
EBC	(1)	RL1525UR	
ROSSINI	(1)	RL1525ROS	
2 Litre (All)			
Standard discs & pads	(1)	RG1059	
Uprated discs & pads			
EBC	(1)	RG1059UR	
ROSSINI	(1)	RG1059ROS	

Cables

Accelerator Cable	(1)	147388	
Choke Cable;			
1600	(1)	401458	
2 Litre all	(1)	402694	
Handbrake Cable;			
Short cable (<i>Handbrake to relay lever</i>) (1)		121766	
Main Cable (<i>Compensator to wheel cylinder</i>)			
1600 & Mk1 2 Litre	(1)	127311	
Mk2 2 Litre	(1)	151227	
Speedometer Cable;			
Overdrive	(1)	GSD115	
Non-Overdrive	(1)	GSD111	
Rev counter cable	(1)	140136	

Rubber Seals

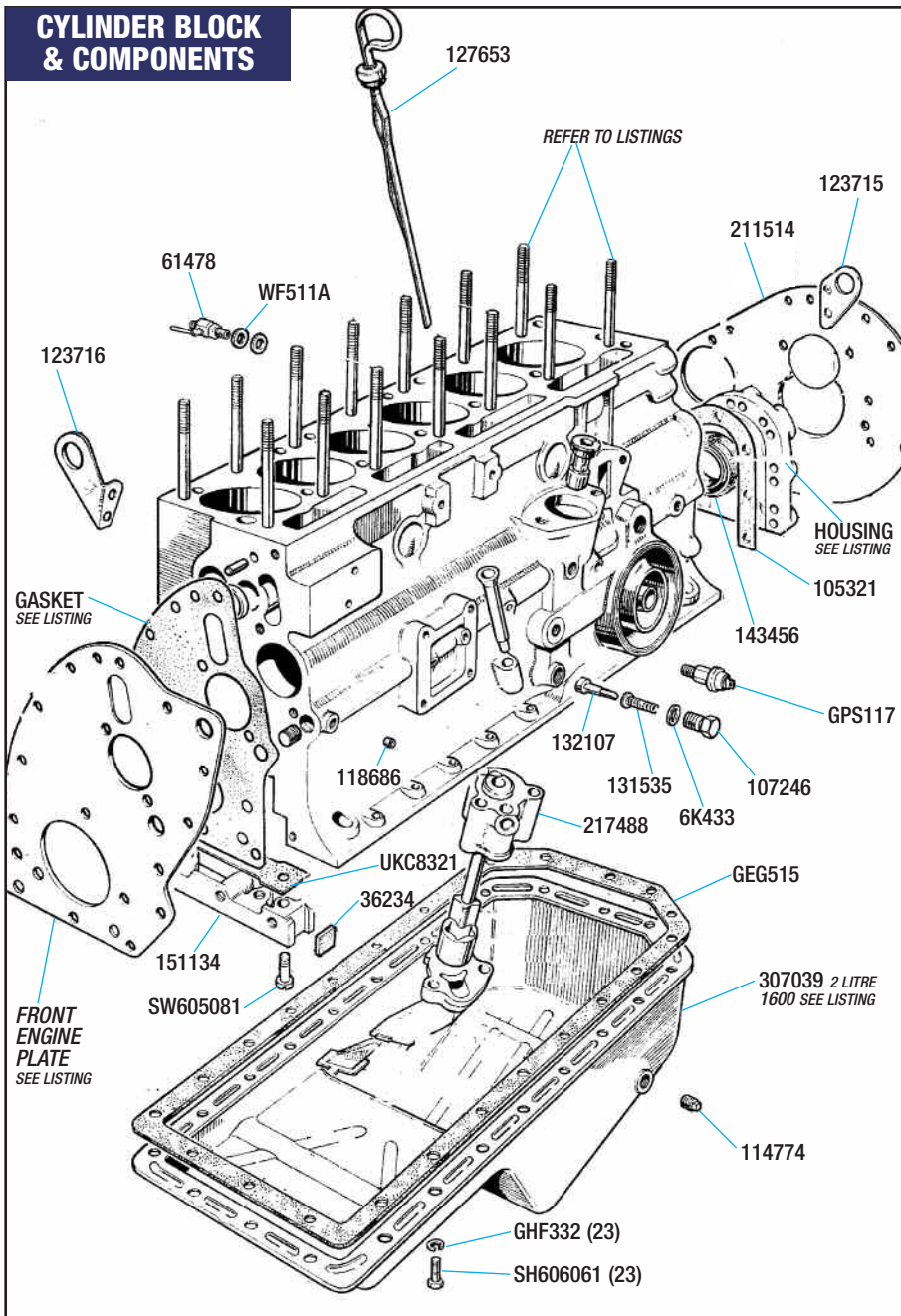
Windscreen rubber	(1)	805856	
Windscreen frame to			
roof seal (<i>saloon</i>)	(1)	703696	
Rear side glass (<i>pair</i>)	(1)	805762-3	
Rear roof to deck seal (<i>saloon</i>)	(1)	611750	
Hood header rail seal (<i>convertible</i>)	(1)	609366	
Hood sides seal (<i>pair</i>)	(2)	609340	
1/4 Light seal (<i>pair</i>)	(1)	803558-9	
'A' post seal	(2)	603755	
Door waist seal;			
Outer	(2)	608278	
Inner	(2)	608288	
Bonnet seal (<i>to bulkhead</i>)	(1)	609272	
Boot lid seal	(1)	YKC68	
Door aperture seal;			
<i>Available in black, blue, red, tan, beige, chestnut.</i>			
Saloon	(2)	RX3004	
Convertible	(2)	RX3002	



Cylinder Block Components

Oil filter (standard)	(1)	GFE131
Washer/seal (oil filter bolt)	(1)	510109
Front engine plate;		
1600 & Mk1 2 Litre	(1)	205456
Mk2 2 Litre	(1)	215349
Gasket - engine plate to block;		
1600	(1)	205457
2 Litre All	(1)	215350
Rear engine plate	(1)	211514
1600 from HB24431E & all 2 Litre.		
Stud - rear engine plate;	(3)	TE605141
Cylinder liner - 2 Litre All	(6)	158942
Cam bearing set	(1)	142647K
Cylinder block (where fitted).		
Stud - cylinder head to block;		
Mk1 2 Litre		
Short	(7)	133803
Long	(7)	119758
Mk2 2 Litre	(14)	156274
Nut - cylinder head stud;		
1600 & Mk1 2 Litre	(14)	110748
Mk2 2 Litre		
Standard	(14)	103810
Uprated	(14)	103810X
Washer - Plain	(14)	WP9
Bolt - main bearing cap;		
Standard	(8)	BH607241
Uprated	(8)	BH607241X
Washer - locking (for BH607241)	(8)	WL600071
Front sealing block	(1)	151134
Filler (sealing block to cylinder block)	(2)	36234
Screw (sealing block to cylinder block)	(2)	SW605081
Gasket (sealing block to cylinder block)	(2)	UKC8321
Oil pressure switch	(1)	GPS117
Oil pressure relief valve (piston)	(1)	132107
Spring - oil pressure relief valve;		
Standard	(1)	131535
Uprated	(1)	131535UR
Washer - oil pressure valve	(1)	6K433
Housing - oil pressure valve	(1)	107246
Plug - oil gallery	(1)	SH605041
Washer copper	(1)	500469
Plug - oil gallery	(6)	118686
Front oil seal (Timing cover)	(1)	UKC1110
Rear crankshaft oil seal	(1)	143456
Non scroll type.		
Housing - rear main oil seal;		
1600 up to HB32487E	(1)	137374
1600 from HB32488E		
& all 2 Litre	(1)	156530
Gasket - seal housing (to block)	(1)	105321
Bush - oil pump/distributor drive;		
1600	(1)	126787
Mk1 2 Litre	(1)	137978
Mk2 2 Litre	(1)	149776
Stud (distributor pedestal to block)	(2)	TE605105
Dowel (Timing cover to block)	(2)	DP514
Engine lifting eye;		
Front	(1)	123716
Rear	(1)	123715
Drain plug (cylinder block)	(1)	61478
Washer - fibre (for drain plug)	(a/r)	WF511A
Stud fuel pump to block	(2)	100433
Core plug set (for block & cylinder head);		
1600 dished type	(1)	RV6123
1600 bucket type	(1)	RV6124
2 Litre	(1)	RG1034
Core plugs - dished type 1600;		
Core plug cam front	(5)	46549
Core plug 1 dia	(1)	46172
Core plug	(3)	56712
Core plug cam rear	(1)	44473
Core plugs - bucket type 1600;		
Core plug 1-1/2	(5)	144688
Core plug 1	(1)	144687
Core plug 1-1/4	(3)	144686
Core plug cam rear	(1)	44473

CYLINDER BLOCK & COMPONENTS



Core plugs - all 2 Litre models;

Core plug	(1)	144648
Core plug 1-1/4	(4)	144686
Core plug 1	(1)	144687
Core plug 1-1/2	(5)	144688
Core plug cam rear	(1)	148353

Oil Pump, Filter & Sump

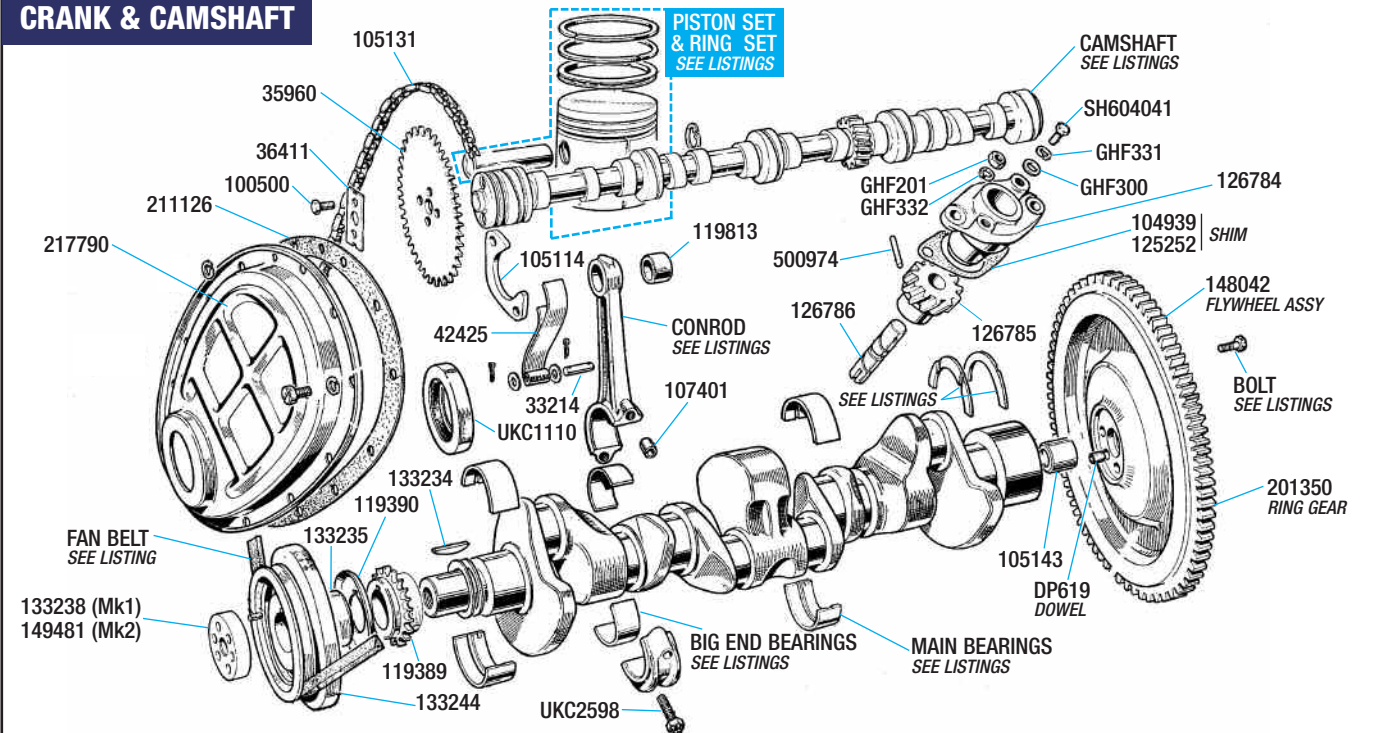
Oil pump assembly	(1)	217488
Repair kit	(1)	217488RK
Oil filter;		
Standard	(1)	GFE131
Spin-on type	(1)	RR1243
Washer/seal (standard oil filter bolt)	(1)	510109
Oil feed kit (rocker shaft)	(1)	RR1340
A remote mounted kit for increased lubrication to the rocker gear.		
Oil Pan (sump);		
1600 up to HB23006E	(1)	304932
All other applications	(1)	307039
Sump gasket set;		
Inc seals	(1)	GEG214K
Less seals	(1)	GEG214
Sump gasket only	(1)	GEG515
Oil drain plug	(1)	114774
Set screw - sump to block	(23)	SH606061
Washer - locking (for SH606061)	(23)	GHF332
Dipstick	(1)	127653
Tube - dipstick	(1)	127652
Felt seal/washer (Dipstick)	(1)	32307
Oil pressure switch	(1)	GPS117
Oil filter element;		
Standard	(1)	GFE131
Spin on conversion type	(1)	RR1243

ROCKER GEAR OIL FEED KIT

A remote mounted kit for increased lubrication to the rocker gear.
See 'Accessories' for full details.

Oil feed kit (1) **RR1340**



CRANK & CAMSHAFT**Crankshaft & Flywheel****CRANKSHAFT & BEARINGS**Crankshaft (Reconditioned);
All crankshafts include shells.

1600		
to HB32487	(1)	304950R
from HB32488	(1)	307718R
2 Litre Mk1		
to HC4500E	(1)	307718R
from HC4501E	(1)	308034R
2 Litre Mk2	(1)	308034R
Pilot (spigot) bush	(1)	105143
Main bearing set;		
1600 & Mk1 2 Litre (up to HC4500E)		
Standard size	(1)	144194
+0.010" Oversize	(1)	144194-010
+0.020" Oversize	(1)	144194-020
+0.030" Oversize	(1)	144194-030
+0.040" Oversize	(1)	144194-040
All other models		
Standard size		RTC1752
+0.010" Oversize	(1)	RTC1752-010
+0.020" Oversize	(1)	RTC1752-020
+0.030" Oversize	(1)	RTC1752-030
+0.040" Oversize	(1)	RTC1752-040
+0.060" Oversize	(1)	RTC1752-060
Big - end bearing set (Conrod);		
1600 & Mk1 2 Litre (up to HC4500E)		
Standard size	(1)	128391
+0.010" Oversize	(1)	128391-010
+0.020" Oversize	(1)	128391-020
+0.030" Oversize	(1)	128391-030
All other models		
Standard size	(1)	RTC1751
+0.010" Oversize	(1)	RTC1751-010
+0.020" Oversize	(1)	RTC1751-020
+0.030" Oversize	(1)	RTC1751-030
+0.040" Oversize	(1)	RTC1751-040
+0.060" Oversize	(1)	RTC1751-060
Thrust washers (pair);		
1600 & 2000 (up to HC4500E)		
Standard size	(1)	104820
+0.005" Oversize	(1)	104820-005
+0.010" Oversize	(1)	104820-010
2000 HC4501 on		
Standard size		BHM1366
+0.005" Oversize	(1)	BHM1366-005
+0.010" Oversize	(1)	BHM1366-010
+0.015" Oversize	(1)	BHM1366-015
Woodruff key	(1)	133234
Shim crank sprocket (0.004)	(a/r)	145275
Shim crank sprocket (0.006)	(a/r)	145276
Sprocket - crankshaft	(1)	119389
Oil deflector	(1)	119390
Sleeve (oil seal)	(1)	133235
Pulley - crankshaft	(1)	133244

Fan adaptor;		
Mk1 2 Litre	(1)	133238
Mk2 2 Litre	(1)	149481
Bolt - front pulley;		
1600 & Mk1 2 Litre	(1)	BH610161
Mk2 2 Litre	(1)	SH610101
Fan belt;		
1600	(1)	GCB11038
2 Litre Mk1 up to engine number		
HC7936E	(1)	GCB11125
HC7937E	(1)	GCB11088
2 Litre Mk2	(1)	GCB11088
Flywheel assembly	(1)	148042
Ring gear	(1)	201350
Dowel (flywheel to crankshaft)	(2)	DP619
Bolt (flywheel to crankshaft);		
1600	(4)	138526
All others	(4)	UKC4254
Tab washer	(2)	102076
Up to engine number HB17719E only.		
Rear oil seal (non scroll type)	(1)	143456

Piston & Conrod

Piston set (per vehicle) complete with rings;		
1600		
Standard	(1)	129059
Oversize + 0.020"	(1)	129059-020
Oversize + 0.030"	(1)	129059-030
Oversize + 0.040"	(1)	129059-040
Oversize + 0.060"	(1)	129059-060
2 Litre Mk1 & Mk2 (flat top)		
Standard	(1)	149976
Oversize + 0.020"	(1)	149976-020
Oversize + 0.030"	(1)	149976-030
Oversize + 0.040"	(1)	149976-040
Gudgeon Pin		NSS
Circlip	(12)	508978
Piston ring set (per vehicle);		
1600		
Standard	(1)	RV6125
Oversize + 0.020"	(1)	RV6125-020
Oversize + 0.030"	(1)	RV6125-030
Oversize + 0.040"	(1)	RV6125-040
2 Litre Mk1 & Mk2		
Standard		RTC2428
Oversize + 0.020"	(1)	RTC2428-020
Oversize + 0.030"	(1)	RTC2428-030
Oversize + 0.040"	(1)	RTC2428-040
Con Rod Assy - 2 Litre;		
to HC7936E	(6)	138548
from HC7937E & Mk2	(6)	146454
Small End Bush;		
Each	(6)	119813
Kit of 6	(1)	119813K6
Dowel (Hollow)	(12)	107401
Bolt Con Rod	(12)	UKC2598
1600 from engine number HB18616E & all 2 Litre.		

Camshaft & Timing Gear

Camshaft;		
1600 & 2 Litre Mk1	(1)	307621
Mk2 2 Litre	(1)	311399
Cam followers (tappets);		
Small diameter	(12)	144343
Large diameter (all 2 litre)	(12)	143552
1600 had both large & small diameter fitted.		
Small were fitted up to HB29803E except HB28896E and		
from HB28956E to HB 28959E.		
All other vehicles and all 2 Litre used large diameter.		
Cam bearing set	(1)	142647K
Cylinder block (where fitted).		

TIMING CHAIN

Timing chain kit (all models)	(1)	RH5003
Includes chain, tensioner, gasket & oil seal.		
Timing chain	(1)	105131
Sprocket - camshaft	(1)	35960
Locking plate (Sprocket to camshaft)	(1)	36411
Set Screw (Locking Plate)	(2)	100500
Locking plate (Camshaft to block)	(1)	105114
Set screw (Locking plate to block)	(2)	SH605071
Sprocket - crankshaft	(1)	119389
Tensioner - timing chain	(1)	42425
Pin (Drilled; tensioner to anchor plate)	(1)	33214
Washer - flat (for pin 33214)	(1)	WC701121
Split pin (for pin 33214)	(1)	PS103121
Anchor plate - tensioner	(1)	43752
Rivet (For anchor plate 43752)	(2)	RR610040

TIMING COVER & FITTINGS

Timing cover	(1)	217790
Gasket (Timing cover to engine plate)	(1)	211126
Oil seal - crankshaft	(1)	UKC1110

Distributor & Oil Pump Drive

Gear - drive shaft	(1)	126785
Drive shaft	(1)	126786
Pin - gear to shaft	(1)	500974
Pedestal - distributor	(1)	126784
Shim - pedestal 0.060"	(a/r)	104939
Shim - pedestal 0.020"	(a/r)	125252
Bush - Oil pump/distributor drive;		
2 Litre Mk1	(1)	137978
2 Litre Mk2	(1)	149776
Bolt distributor locating	(2)	SH604041
Washer - locking	(2)	GHF331
Washer - plain	(2)	GHF300
Stud-pedestal to block	(2)	TE605105
Nut - pedestal to block	(2)	GHF201
Washer - pedestal to block	(2)	GHF332

DESCRIPTION	QTY REQ.	PART No.	DESCRIPTION	QTY REQ.	PART No.	DESCRIPTION	QTY REQ.	PART No.
-------------	----------	----------	-------------	----------	----------	-------------	----------	----------

Cylinder Head & Fittings

See: 'Fuel System' & 'Exhaust System' for manifold fittings.

Cylinder head rebuild kit;

Inc. valves, springs, guides & head gasket set.		
1600	(1)	RV6219RBK
Mk1 2 Litre	(1)	208925RBK
Mk2 2 Litre	(1)	RV6005RBK

Cylinder head shell 1600 (new)	(1)	208925
--------------------------------	-----	---------------

Limited quantity available. No valves. 8.75CR.

Stud (Cylinder head to block);

2 Litre Mk1		
Short	(7)	133803
Long	(7)	119758
2 Litre Mk2	(14)	156274

Nut (Cylinder head stud);

1600 & 2 Litre Mk1	(14)	110748
2 Litre Mk2		
Standard	(14)	103810
Up-rated	(14)	103810X

Washer (plain)- (head stud)	(14)	WB600070
Screw - oil feed (Rear of head)	(1)	SH605041
Washer (copper) For screw SH605041	(1)	500469

Core plug set (for block & cylinder head);

1600 dished type	(1)	RV6123
1600 bucket type	(1)	RV6124
2 Litre	(1)	RG1034

Adaptor - heater (hose to head)

	(1)	57602
--	-----	--------------

Engine Gaskets & Oil Seals

Head gasket set;

1600	(1)	GEG185
Mk1 2 Litre	(1)	GEG115
Mk2 2 Litre	(1)	GEG198

Head gasket only;

1600	(1)	208652
Mk1 2 Litre	(1)	207102
Mk2 2 Litre	(1)	GEG346

Rocker cover gasket

	(1)	GEG413
--	-----	---------------

Exhaust/Inlet manifold gasket;

1600 & Mk1 2 Litre	(1)	AJM613
Mk2 2 Litre	(1)	GEG682

Exhaust down pipe gasket;

1600	(1)	GEG701
Mk1 2 Litre	(1)	GEG701
Mk2 2 Litre	(1)	GEG718

Timing cover gasket

	(1)	211126
--	-----	---------------

Front engine plate to block gasket;

1600 & Mk1 2 Litre	(1)	205457
Mk2 2 Litre	(1)	215350

Sump gasket set;

Inc seals	(1)	GEG214K
-----------	-----	----------------

Less seals	(1)	GEG214
------------	-----	---------------

Sump gasket only	(1)	GEG515
------------------	-----	---------------

Water Pump Gaskets;

Water pump to housing	(1)	138701
-----------------------	-----	---------------

Housing to cylinder head	(1)	138792
--------------------------	-----	---------------

Thermostat gasket	(1)	GTG103
-------------------	-----	---------------

Fuel pump to block gasket	(1)	138791
---------------------------	-----	---------------

Core plug set (for block & head);

1600 dished type	(1)	RV6123
------------------	-----	---------------

1600 bucket type	(1)	RV6124
------------------	-----	---------------

2 Litre All	(1)	RG1034
-------------	-----	---------------

Crankshaft oil seal;

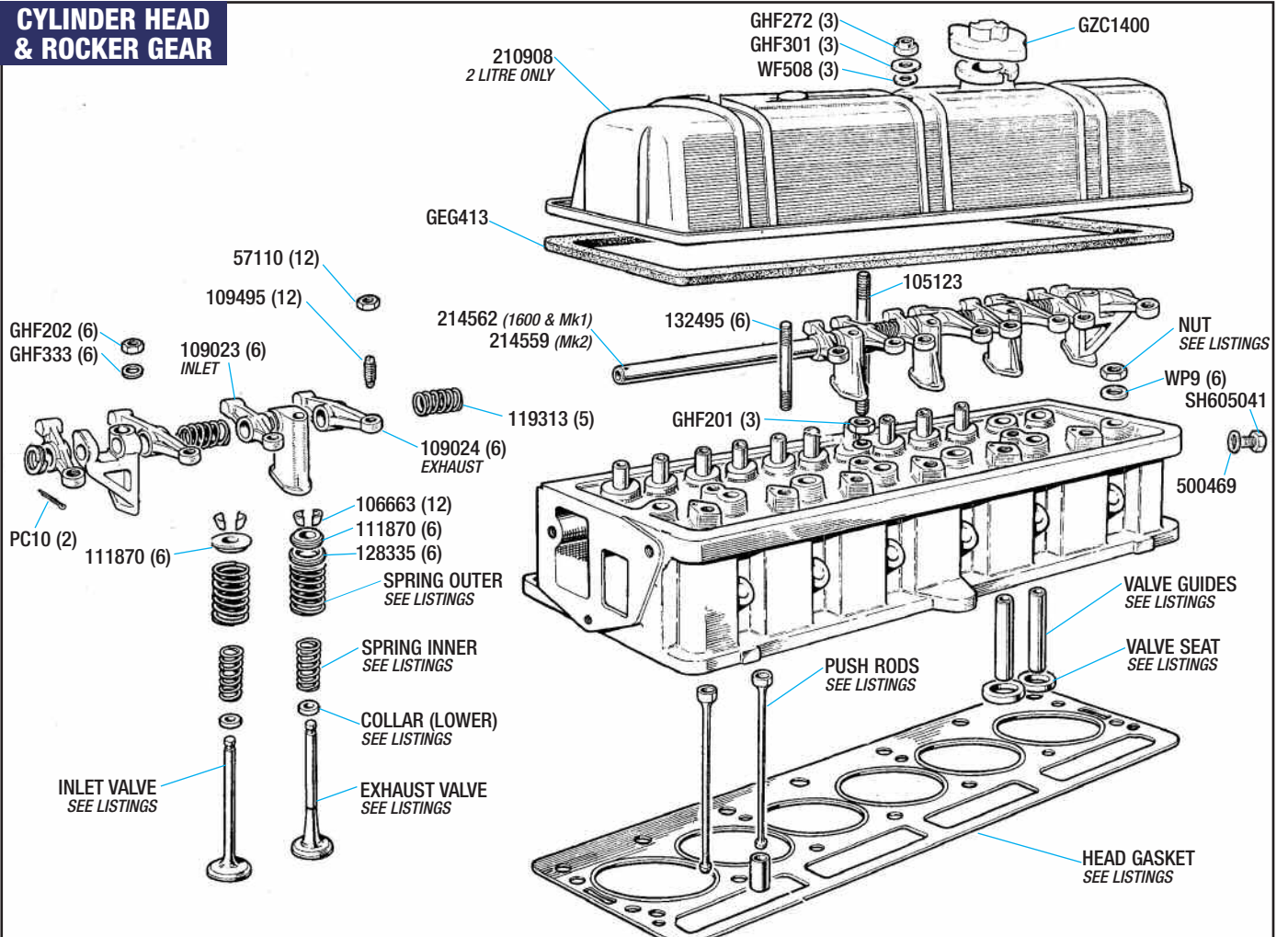
Front (timing cover)	(1)	UKC1110
----------------------	-----	----------------

Rear (main) (non scroll type)	(1)	143456
-------------------------------	-----	---------------



CYLINDER HEAD REBUILD KIT (MK2 2 LITRE) RV6005RBK

CYLINDER HEAD & ROCKER GEAR





ALLOY ROCKER COVER
ALLOY FINISH - TKC378A
BLACK CRACKLE FINISH - TKC378AP

Cylinder Head - Valves, Guides & Seats

Inlet valve;					
1600 & 2 Litre Mk1	(6)	122257			
Mk2 2 Litre					
Standard	(6)	146128			
Stainless steel	(6)	146128SS			
Exhaust valve;					
1600 & 2 Litre Mk1	(6)	122258			
Mk2 2 Litre					
Standard	(6)	149658			
Stainless Steel	(6)	149658SS			
Valve stem oil seal	(12)	AEK113			
<i>Not fitted as standard.</i>					
Valve guide - inlet;					
1600 & 2 Litre Mk1	(6)	119622			
Mk2 2 Litre	(6)	58923			
Valve guide - exhaust;					
1600 & 2 Litre Mk1	(6)	119622			
Mk2 2 Litre	(6)	111869			
Valve seat (insert) - inlet;					
1600 & 2 Litre Mk1	(6)	130814			
Mk2 2 Litre	(6)	146496			
Valve seat (insert) - exhaust;					
1600 & 2 Litre Mk1	(6)	130813			
Mk2 2 Litre	(6)	146497			

Cylinder Head - Valve Springs & Push Rods

1600 Models

Collar - valve spring upper;					
Inlet	(6)	111870			
Exhaust Inner	(6)	111870			
Exhaust Outer	(6)	128335			
Collar - valve spring lower	(12)	111871			
Spring - valve outer	(12)	121251			
Spring - valve inner	(12)	102564			
Split collets (pair)	(12)	106663			

2 Litre Mk1 Models

Collar - valve spring upper;					
Inlet	(6)	111870			
Exhaust Inner	(6)	111870			
Exhaust Outer	(6)	128335			
Collar - valve spring lower	(12)	111871			
Spring - valve outer	(12)	121251			
Spring - valve inner	(12)	102564			
Split collets (pair)	(12)	106663			

2 Litre Mk2 Models

Collar - valve spring upper;					
Inlet	(6)	111870			
Exhaust Inner	(6)	111870			
Exhaust Outer	(6)	128335			
Collar - valve spring lower	(12)	149717			
Spring - valve outer	(12)	149633			
Spring - valve inner	(12)	102564			
Split collets pair	(12)	106663			

All Models

Push rod;					
1600 & 2 Litre Mk1	(12)	129058			
Mk2 2 Litre	(12)	151073			
Tube - push rod sealing;					
1600	(12)	111872			
2 Litre Mk1	(12)	104826			

Cylinder Head - Rocker Shaft & Fittings

Oil feed kit (Rocker gear)	(1)	RR1340			
<i>A remote mounted kit for increased lubrication to the rocker gear.</i>					
Overhaul kit (Rocker gear);					
<i>Includes shaft, rocker arms etc.</i>					
1600 & Mk1 2 Litre	(1)	RV6126			
Mk2 2 Litre	(1)	RR1312			
Rocker shaft;					
1600 & Mk1 2 Litre	(1)	214562			
Mk2 2 Litre	(1)	214559			
Rocker arm inlet	(6)	109023			
Rocker arm exhaust	(6)	109024			
Rocker adjust pin	(12)	109495			
Nut - locking (for 109495)	(12)	57110			
Rocker shaft pedestals;					
1600 & Mk1 2 Litre					
Drilled	(1)	128425			
Plain	(5)	128424			
Mk2 2 Litre					
No. 1	(1)	145867			
Intermediate	(4)	144974			
No.6	(1)	145869			
Shim rocker pedestal 0.060" (a/r)		144973SHIM			
Screw (for pedestal 145869)	(1)	104859			
Stud rocker pedestal	(6)	132495			
Nut (for 132495)	(6)	GHF202			
Washer - locking (for 132495)	(6)	GHF333			
Washer - plain (for 132495)	(6)	WP9			
Springs - rocker shaft;					
<i>Located between rocker arms.</i>					
Outer spring (Shaft end)	(1)	105322			
Intermediate springs	(5)	119313			
Collar - rocker shaft ends	(2)	104838			
<i>1600 & Mk1 2 Litre only.</i>					
Pin - collar locating	(2)	500975			
<i>1600 & Mk1 2 Litre only.</i>					
Plug - Rocker Shaft Ends	(2)	137811			
<i>Mk2 2 Litre.</i>					
Spring (for 137811)	(2)	105322			
Split Pin (for 137811)	(2)	PC10			

Rocker Cover & Fittings

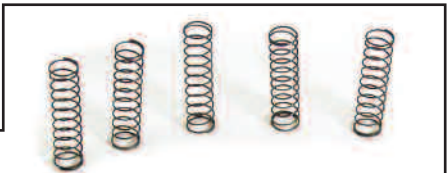
Rocker cover - standard (steel);					
2 Litre only	(1)	210908			
Alloy rocker cover;					
polished	(1)	TKC378A			
black powder coated	(1)	TKC378AP			
Rocker cover gasket	(1)	GEG413			
Oil filler cap;					
For standard cover	(1)	GZC1400			
For alloy cover	(1)	214814C			
Stud - rocker cover to head	(3)	105123			
Nut - lower (For 105123)	(3)	GHF201			
Nut - upper (For 105123)	(3)	GHF272			
Washer - plain	(3)	GHF301			
Washer - fibre	(3)	WF508			

ROCKER GEAR OIL FEED KIT

A remote mounted kit for increased lubrication to the rocker gear.

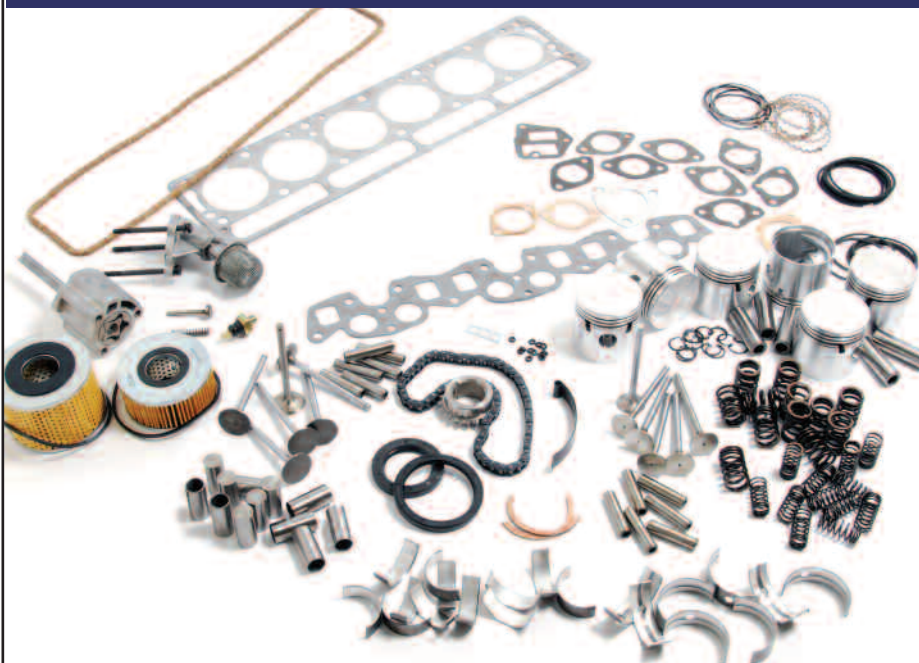
See 'Accessories' for full details.

Oil feed kit (1) **RR1340**



OVERHAUL KIT - ROCKER GEAR

ENGINE & HEAD REBUILD KITS



Full Engine Rebuild Kit

This kit contains everything you need to recondition your full engine. We assume you will have the block re-bored and any other machining done as required.

IMPORTANT - Pistons are supplied +0.020" oversize. Bearing sets are supplied in standard size. Please advise specific sizes required at time of ordering.

Kit contains:-

- Piston set +0.020" oversize (inc rings/pins) (state size required)
- Main & big end bearing shells (state size required)
- Thrust washers (state size required)
- Inlet valves
- Exhaust valves
- Valve springs
- Valve guides
- Valve stem oil seals
- Tappets
- Timing chain
- Timing chain tensioner
- Crankshaft sprocket
- Oil pump
- Oil pressure relief valve
- Oil pressure relief valve spring
- Oil pressure relief valve spring
- Oil pressure switch
- Head gasket set
- Sump gasket set (inc oil seals)
- Oil filter

Additionally why not add some or all of the following options to the rebuild kit;

- Crankshaft
- Camshaft
- Rocker shaft
- Rocker arms
- Camshaft sprocket
- Con rods or small end bearings

In addition to the rebuild kits, the engine section of this catalogue lists all the other parts that you might want to buy additionally, such as engine studs, cylinder head nuts, water pump etc.

FULL ENGINE REBUILD KIT

Please quote engine number when ordering.

- 1600 **RV6095RBK**
- Mk1 2 Litre (KC5001 onwards) **RV6039RBK**
- Mk2 2 Litre **RV6018RBK**



Short Engine Rebuild Kit

This kit contains everything you need to recondition your short engine. We assume you will have the block re-bored and any other machining done as required.

IMPORTANT - Pistons are supplied +0.020" oversize. Bearing sets are supplied in standard size. Please advise specific sizes required at time of ordering.

Kit contains:-

- Piston set +0.020" oversize (inc rings/pins) (state size required)
- Main & big end bearing shells (state size required)
- Thrust washers (state size required)
- Tappets
- Timing chain
- Timing chain tensioner
- Oil pump
- Oil pressure relief valve
- Oil pressure relief valve spring
- Oil pressure switch
- Head gasket set
- Sump gasket set (inc oil seals)
- Oil filter

Additionally why not add some or all of the following options to the rebuild kit;

- Crankshaft
- Camshaft
- Crankshaft sprocket
- Camshaft sprocket
- Con rods or small end bearings

In addition to the rebuild kits, the engine section of this catalogue lists all the other parts that you might want to buy additionally, such as engine studs, cylinder head nuts, water pump etc.

SHORT ENGINE REBUILD KIT

lease quote engine number when ordering.

- 1600 **RV6218RBK**
- 2 Litre (KC5001 onwards) **RV6045RBK**

Cylinder Head Rebuild Kit

This kit contains everything you need to recondition your cylinder head.

Kit contains:-

- Inlet valves
- Exhaust valves
- Valve springs
- Valve guides
- Valve stem oil seals
- Head gasket set

Additionally why not add some or all of the following options to the rebuild kit

- Rocker shaft
- Rocker arms

CYLINDER HEAD REBUILD KIT

- 1600 **RV6219RBK**
- Mk1 2 Litre **208925RBK**
- Mk2 2 Litre **RV6005RBK**



ENGINE OIL COOLER

FIT AN OIL COOLER KIT FOR PEACE OF MIND.
Kits include oil cooler radiator, fitting kit, filter adaptor, hoses & fittings, but not thermostat.

- Engine oil cooler kit (1) **RR1296**
Also converts to spin-on type filter.
- Thermostat (Engine oil cooler) (1) **RS1456**
Not included in oil cooler kit.



SPIN-ON FILTER CONVERSION

Recommended for all owners!

This converts the standard 'Bowl' & element oil filter to the more efficient 'Spin-on' cartridge type. It makes filter changing easier (& cleaner) and prevents oil draining back into the sump thus avoiding the 'start-up rattle'.

- Adaptor only (Spin-on oil filter); vehicle without Oil cooler (1) **RR1238**
- vehicle with Oil cooler fitted (1) **RR1275**
- Oil filter cartridge only (1) **RR1243**
- Service kit (O' rings) (For adaptor) (1) **RR1238SK**



YOU CAN EITHER GUESS YOUR OIL PRESSURE - OR FIT ONE OF OUR KITS.

Oil Pressure Gauge & Switch

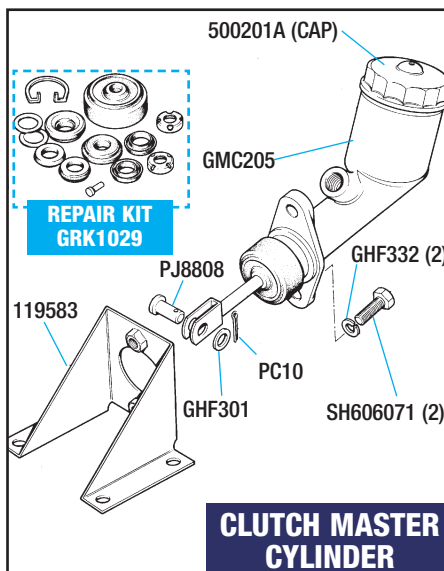
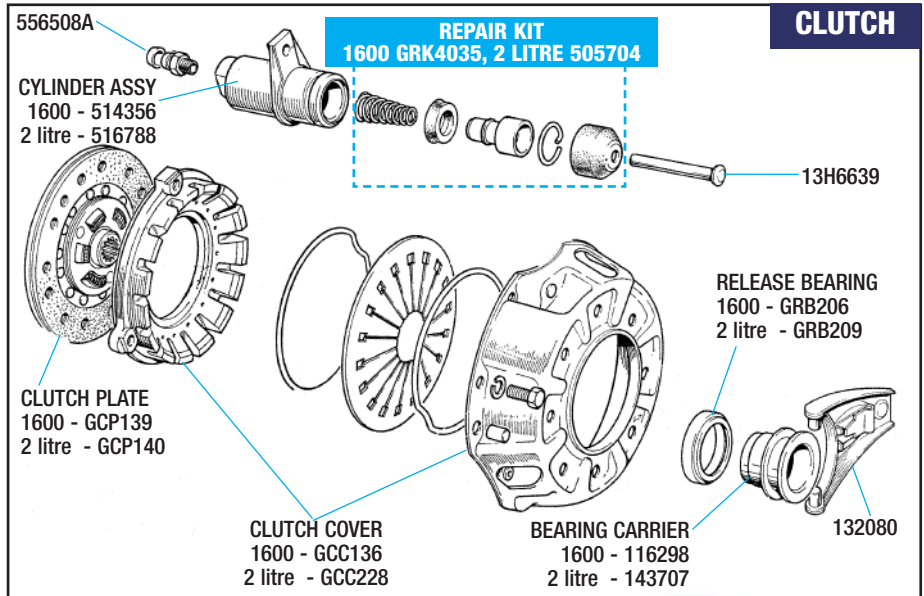
- Oil pressure gauge kit (1) **RX1351/O**
Includes gauge pipe etc.
- Oil pressure and water temperature gauge kit (1) **RX1351/OW**
Includes gauge pipe etc.
- Bracket (1) **RB7050**
For remote mounting of gauge.
- Adaptor - oil pipe to block temp sender to water pump housing (1) **143943**
- Washer - copper (1) **11K2846**
For adaptor 11K2846.
- 'T' piece (1) **AED172**
- Required when fitting oil pressure gauge kit if retaining low pressure warning light. (1) **RX1352**

Clutch

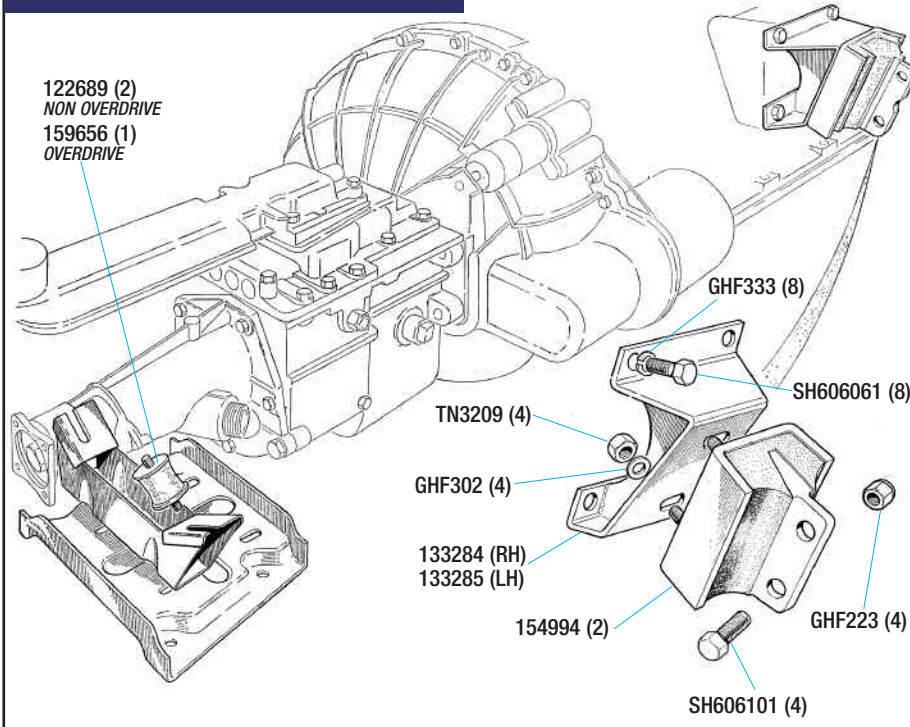
Clutch alignment tool	(1)	RX1385
Clutch assembly; 1600 models		
Clutch kit <i>Inc. cover, plate & bearing.</i>	(1)	RV6002
Clutch cover	(1)	GCC136
Clutch plate	(1)	GCP139
Release bearing	(1)	GRB206
2 Litre models		
Clutch kit <i>Inc. cover, plate & bearing.</i>	(1)	RG1018
Clutch cover	(1)	GCC228
Clutch plate	(1)	GCP140
Release bearing	(1)	GRB209
Release bearing carrier; 1600	(1)	116298
2 Litre	(1)	143707
Operating lever	(1)	132080
Clutch pedal rubber pad	(1)	122289

Clutch Hydraulics

Clutch master cylinder; Original type	(1)	GMC205
Non - original type	(1)	GMC205ALT
Repair kit (<i>master cylinder</i>)	(1)	GRK1029
Filler cap	(1)	500201A
Gaiter/boot (<i>master cylinder</i>)	(1)	125217
Mounting bracket (<i>for GMC205</i>)	(1)	119583
Set screw (<i>mounting</i>)	(2)	SH606071
Washer - set screw	(2)	GHF332
Clevis pin	(1)	PJ8808
Washer - clevis pin	(1)	GHF301
Split pin	(1)	PC10
Clutch slave cylinder; 1600	(1)	514356
2 Litre	(1)	516788
Repair kit (<i>slave cylinder</i>); 1600	(1)	GRK4035
2 Litre	(1)	505704
Push rod - slave cylinder	(1)	13H6639
Bleed screw - slave cylinder	(1)	556508A
Pipe - master to slave cylinder (RHD); Standard	(1)	209504
Braided stainless steel	(1)	209504GR
Clutch/brake fluid; Standard DOT3 (1 litre)	(a/r)	GBF103
Silicone (0.5 litre)	(a/r)	RX1327
Silicone (1.0 litre)	(a/r)	RX1326
<i>Do not mix silicone with standard fluid.</i>		



ENGINE & GEARBOX MOUNTINGS



Engine Mountings

Engine mounting rubber	(2)	154994
Mounting bracket; RH	(1)	133284
LH	(1)	133285
Nut - locking	(4)	TN3209
<i>Engine mounting to bracket.</i>		
Washer - plain (<i>for nut TN3209</i>)	(4)	GHF302
Bolt (<i>mounting to chassis</i>)	(4)	SH606101
Nut - locking (<i>for SH606101</i>)	(4)	GHF223
Setscrew (<i>bracket to block</i>)	(8)	SH606061
Washer (<i>locking for setscrew</i>)	(8)	GHF333

Gearbox Mountings

NON-OVERDRIVE MODELS		
Gearbox mounting (<i>rubber</i>)	(2)	122689
Washer (<i>mounting to gearbox/bracket</i>); Plain	(4)	GHF301
Locking	(4)	GHF332
Nut - plain (<i>mounting to gearbox/bracket</i>)	(4)	GHF201
OVERDRIVE MODELS		
Gearbox/overdrive mounting (<i>rubber</i>)	(1)	159656
Setscrew (<i>mounting to overdrive unit</i>)	(2)	SH605071
Washer - locking	(2)	GHF332
<i>For setscrew SH605071.</i>		
Setscrew (<i>mounting to platform/bracket</i>)	(2)	GHF120
Washer (<i>mounting to gearbox/bracket</i>); Plain	(4)	GHF301
Locking	(4)	GHF332
Nut - plain (<i>for setscrew GHF120</i>)	(4)	GHF201

Water Pump & Thermostat

Water pump <i>Includes pump to housing gasket.</i>	(1)	GWP201
Water pump housing;		
Cast iron	(1)	307095
Cast aluminium	(1)	307095A
Gaskets;		
Water pump to housing	(1)	138701
Housing to cylinder head	(1)	138792
Stud (<i>Pump to Housing</i>)	(3)	TE605105
Nut (<i>for studs</i>)	(3)	GHF201
Washer - locking (<i>for studs</i>)	(3)	GHF332
Bolts housing to head;		
Short	(1)	BH605181
Intermediate	(1)	BH605201
Long	(1)	BH605261
Washer - locking (<i>for 3 fixing bolts</i>)	(3)	GHF332
Temperature transmitter	(1)	GTR108
Thermostat;		
82° standard	(1)	GTS104
74° summer	(1)	GTS102
88° winter	(1)	GTS106
Gasket (<i>thermostat housing</i>)	(1)	GTG103
Housing - thermostat	(1)	209014
Bolt	(2)	GHF104
Washer - locking	(2)	GHF332

Cooling Fan

Fan assy;		
1600 & Mk1 2 litre (<i>6 blade</i>)	(1)	211986
Mk2 2 litre (<i>8 blade</i>)	(1)	308353
Bush*	(8)	108496
Sleeve*	(4)	108499
Washer*	(4)	GHF301
Bolt*;		
1600 & Mk1 2 Litre	(4)	BH605101
Mk2 2 Litre	(4)	SH605091
Tab washer*	(2)	107857
*Fan to adaptor.		
Adaptor (<i>Cooling fan</i>);		
1600 & Mk1 (<i>2 litre</i>)	(1)	133238
Mk2 2 Litre	(1)	149481
Dowel (<i>Adaptor to pulley</i>)	(1)	140419
Fan Belt;		
1600	(1)	GCB11038
2 Litre		
Mk1 to HC7937E	(1)	GCB11125
Mk1 from HC7938E	(1)	GCB11088
Mk2	(1)	GCB11088
Kenlowe electric fan kit	(1)	RV6003

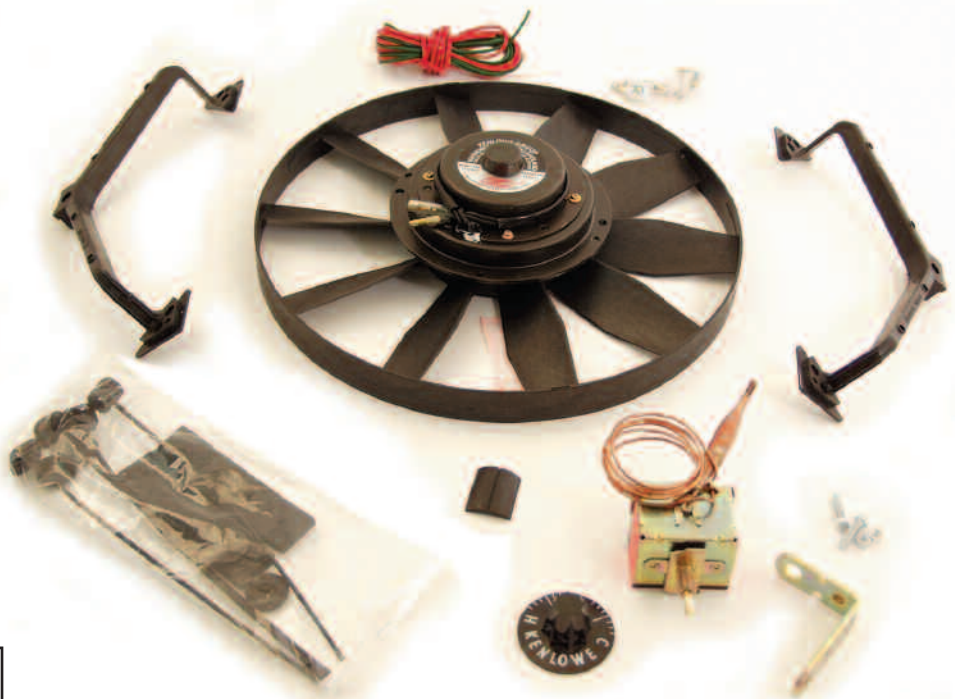
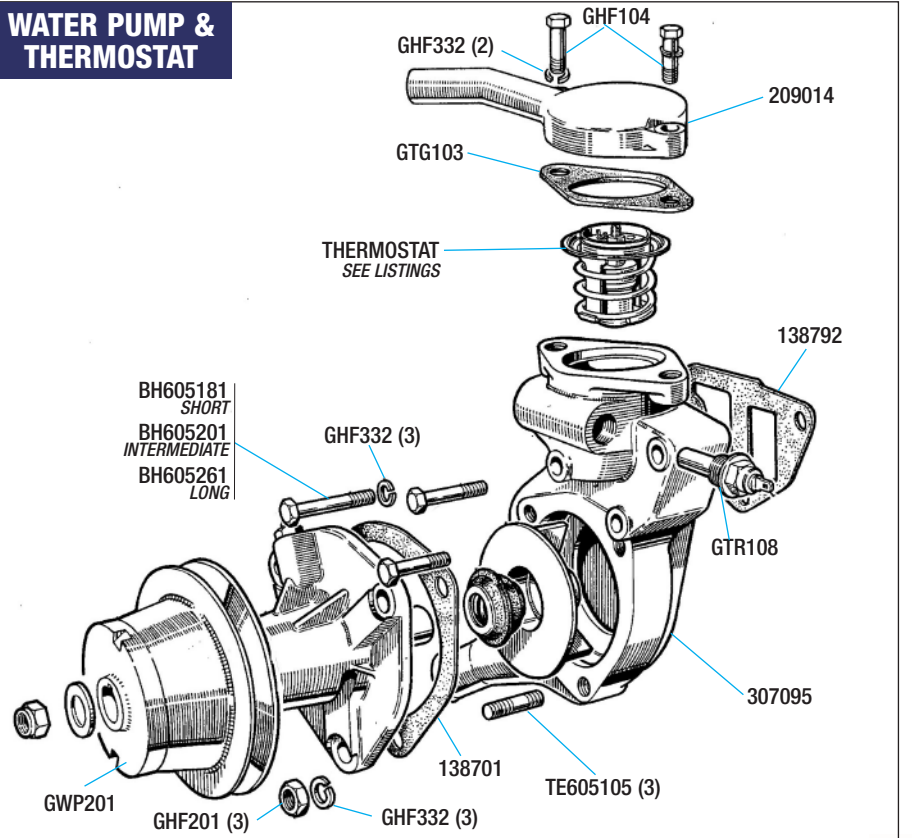


ENGINE OIL COOLER

FIT AN OIL COOLER KIT FOR PEACE OF MIND.
Kits include oil cooler radiator, fitting kit, filter adaptor, hoses & fittings, but not thermostat.

Engine oil cooler kit	(1)	RR1296
Also converts to spin-on type filter.		
Thermostat (<i>Engine oil cooler</i>)	(1)	RS1456
<i>Not included in oil cooler kit.</i>		

WATER PUMP & THERMOSTAT



KENLOWE ELECTRIC FAN KIT - RV6003

RADIATOR RELIEF

COOLING SYSTEM ADDITIVE

Radiator relief allows your radiator to transfer heat more efficiently, reducing your engines operating temperature (which is obviously controlled by the thermostat) by up to 30°F. You therefore have 'a little bit in hand' for those hot days stuck in traffic. This proven coolant additive will also cut engine warm-up time in half which will reduce engine wear which is most extreme when the engine is cold. Fully compatible with water and anti-freeze and is safe with cast iron and all alloys.

- 30°F lower operating temperature
- 50% quicker warm up time
- Safe with water/antifreeze mixture
- Safe with cast iron, alloy engines and heads
- Increased engine life!
- 100% biodegradable, non corrosive, non toxic
- For use in all water cooled engines

RADIATOR RELIEF (946ml) **RX1461**
Treats 1 engine.



A MUST FOR ALL OWNERS

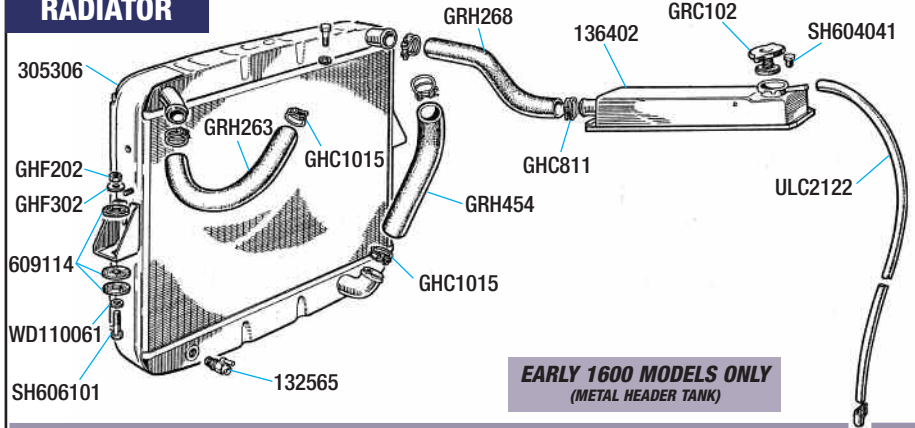
Radiator & Hoses

Radiator;		
1600 (early)	(1)	305306
<i>With metal header tank.</i>		
1600 (late) & 2 Litre	(1)	307125
<i>With plastic expansion bottle.</i>		
Hose kit (per vehicle);		
<i>Includes all radiator/heater hoses & clips.</i>		
1600 (early)	(1)	RV6105
<i>With metal header tank.</i>		
1600 (late) & all 2 Litre	(1)	RV6106
<i>With plastic expansion bottle.</i>		
Radiator top hose (left hand)	(1)	GRH263
Radiator bottom hose	(1)	GRH454
Hose clip	(4)	GHC1015
Drain tap	(1)	132565
Header tank (metal)	(1)	136402
<i>Up to engine number HB26149.</i>		
Pipe (Overflow) for 136402	(1)	ULC2122
Hose header tank to radiator	(1)	GRH268
Hose Clip	(2)	GHC811
Expansion bottle (Plastic)	(1)	137632
Pipe (Overflow) for 137632	(1)	ULC2122
Cap for 137632 bottle	(1)	137743
Bracket for 137632 bottle	(1)	137624
Radiator cap;		
for header tank (early 1600)	(1)	GRC102
for radiator (late 1600 & all 2 Litre)	(1)	GRC112
Anti - freeze;		
1 Litre	(1)	GAC2018
5 Litre	(1)	GAC2019
Radweld (250ml)	(a/r)	RX1508

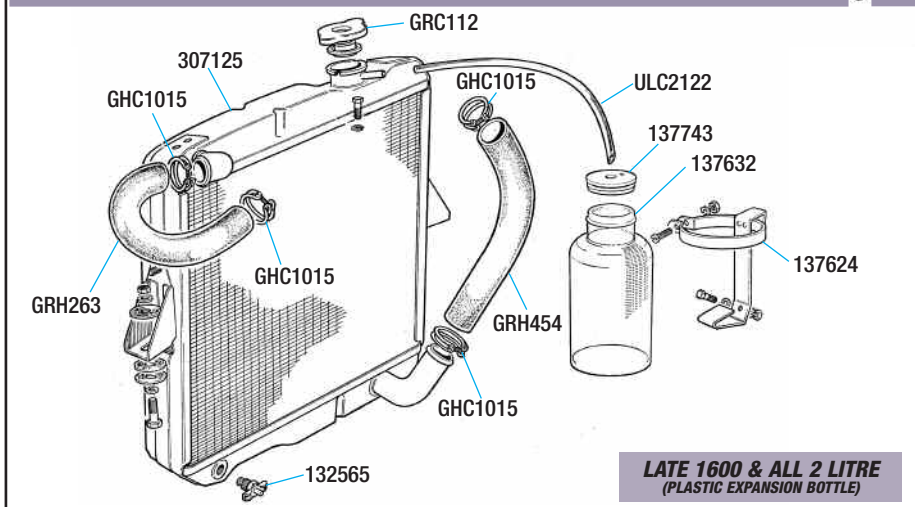
Inlet Manifold Water Pipe & Hoses

Hose kit (per vehicle);		
<i>Includes all radiator/heater hoses & clips.</i>		
1600 (early)	(1)	RV6105
<i>With metal header tank.</i>		
1600 (late) & all 2 Litre	(1)	RV6106
<i>With plastic expansion bottle.</i>		
Pipe - metal	(1)	217467SS
<i>Heater return stainless steel.</i>		
Adaptor - water pump return (Rear)	(1)	101343
Sleeve nut (for 101343)	(1)	101302
Olive (for 101302)	(1)	TL11
Adaptor (water pump to manifold)	(1)	138530
Fibre washer (for 138530)	(1)	WF524
Hose (water pump to manifold)	(1)	137876
Hose clip	(2)	GHC507
Adaptor (front of manifold)	(1)	138810
Hose (rear of manifold to adaptor)	(1)	140986
Hose clip	(2)	GHC507
Adaptor assy;		
1600 & Mk1 2 litre	(1)	145938
<i>Without header tank.</i>		
Mk2 2 litre	(1)	145407
Banjo bolt	(1)	145155
Fibre washer (Banjo);		
Large hole	(1)	WF550
Small hole	(1)	WF534
Elbow (only used when no heater fitted)	(1)	138822
Hose - heater inlet	(1)	GZA1338
Hose - heater outlet	(1)	151782
Hose clip	(4)	GHC405

RADIATOR

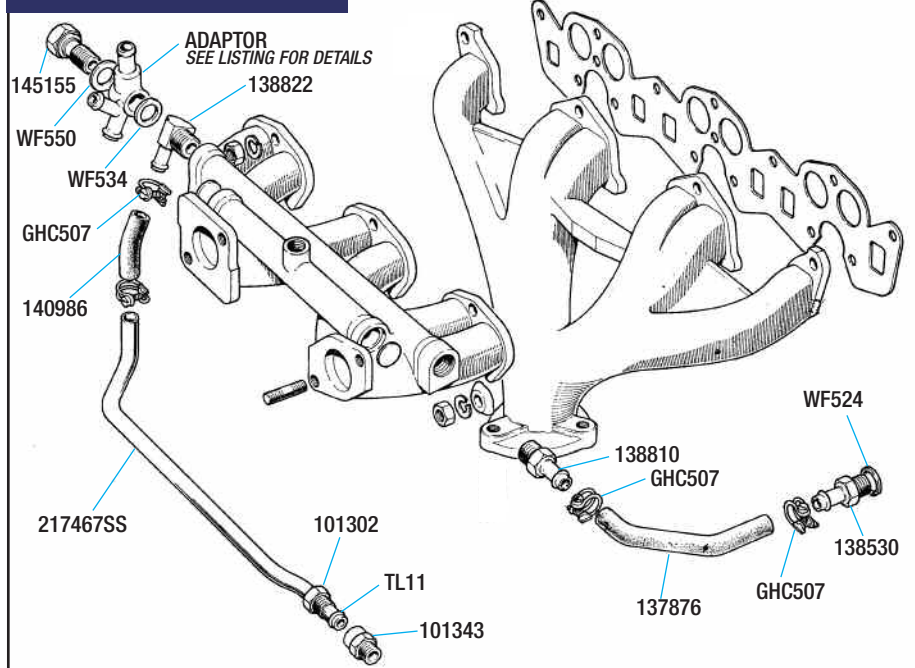


EARLY 1600 MODELS ONLY
(METAL HEADER TANK)



LATE 1600 & ALL 2 LITRE
(PLASTIC EXPANSION BOTTLE)

INLET MANIFOLD PIPES



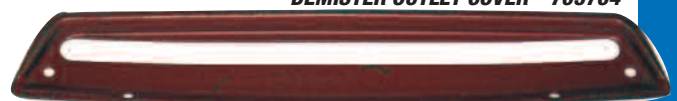
DEMISTER OUTLET COVER - 703764

Heater/Controls & Valve

Heater assy - Smiths	(1)	910445R	Heater control cable	(1)	622442
Water valve assy;			Knob;		
Smiths	(1)	511774	1600 & Mk1 2 litre	(1)	704884
Flange only	(1)	724021FLANGE	2 litre Mk2	(1)	622671
Delaney	(1)	560612	Demister tube (heater to windscreen)	(2)	602621
'O' ring - adaptor to valve	(1)	C9928A	Demister outlet cover (on top of dash)	(2)	703764
Heater hose;					
Inlet	(1)	GZA1338			
Outlet	(1)	151782			
Hose clip	(4)	GHC405			



SMITHS WATER HEATER VALVE - 511774



DESCRIPTION QTY REQ. PART No.

Inlet Manifold & Fittings

See also; Exhaust Manifold & Fittings.

Inlet manifold;			
2 Litre MK1	(1)	212770	
2 Litre MK2	(1)	215493	
Gasket (Inlet/Exhaust);			
1600 & 2 Litre MK1	(1)	AJM613	
2 Litre MK2	(1)	GEG682	

2 Litre Mk1 Models

Core plug (saucer type, 1" dia)	(2)	46172	
Nut (manifold to head)	(2)	GHF201	
Washer (for GHF201)	(2)	GHF332	
Washer (spherical)	(6)	119324	
Washer (flat)	(6)	GHF301	
Clamp (manifold to head)	(6)	123760	
Plate (for clamp)	(6)	123761	
Stud (carb to manifold)	(4)	129383	

2 Litre Mk2 Models

Core plug (saucer type, 1" dia)	(2)	46172	
Nut (manifold to head)	(3)	GHF201	
Washer (for GHF201)	(3)	GHF332	
Clamp (manifolds to cylinder head)	(6)	58258	

Carburettor Components

1600 Models.

There is limited availability of parts for 1600 carbs, apart from those listed below. It is possible to fit 2 litre Strombergs to the 1600 which improves the options available.

Parts listed below are suitable for Stromberg CD150 carbs.

Insulating block carb to manifold	(2)	147660	
Diaphragm	(2)	521153	
Damper/rod/piston	(2)	515112	
'O' ring - for damper rod	(2)	516988	
Spring - damper	(2)	516945	
Needle valve - float	(2)	517453	
Metering Needle;			
2 Litre Mk1	(2)	513709	
2 Litre Mk2	(2)	517864	
'O' ring (Needle)	(2)	512317	
Jet orifice	(2)	513700	
Float assembly;			
2 Litre Mk1	(2)	515721	
2 Litre Mk2	(2)	605833A	
Gasket (carb to insulator to manifold)	(2)	137881	
Gasket set (inc. 'O' rings);			
1600	(2)	RV6119	
All 2 Litre	(2)	516990	
Throttle spindle;			
1600 & 2 Litre Mk1 Strombergs			
Front	(1)	513684	
Rear	(1)	514964	
2 Litre Mk2	(2)	513717	
Butterfly (Throttle disc)	(2)	513689	
Screw (Butterfly to spindle)	(4)	513690	
Needle valve;			
1600 & 2 Litre Mk1 Strombergs	(2)	517453	
2 Litre Mk2	(2)	517453	
Carb service kit (per carb);			
Inc. diaphragm, jet orifice, needle valve & 'O' rings.			
2 Litre Mk1	(2)	RG1296	
2 Litre Mk2	(2)	RG1297	
Carb overhaul kit (per vehicle);			
Kit contains items in service kit plus gaskets, butterflys & spindles.			
2 Litre Mk1	(1)	RG1299	
2 Litre Mk2	(1)	RG1300	
Carb adjusting tool	(1)	RX1222	

DESCRIPTION QTY REQ. PART No.

Accelerator & Choke Cables

Accelerator cable	(1)	147388	
Clip - cable to pedal	(1)	609729	
Spring - throttle return;			
Mk1	(1)	60274	
Mk2	(1)	136835	
Accelerator pedal bracket	(1)	147655	
Accelerator pedal spring	(1)	122392	
Choke cable;			
1600	(1)	401458	
2 Litre	(1)	402694	
Choke cable knob	(1)	143136	



CARB OVERHAUL COMPONENTS

DESCRIPTION QTY REQ. PART No.

K&N
PERFORMANCE FILTERS
K&N
AIR FILTERS

These filters will give improved engine breathing & performance.
Note; When fitting 'K&N' air filters, Sports exhaust and/or Tubular extractor manifolds, the carb metering needles may require changing and/or the carbs re-adjusted.

K&N air filter (Stromberg 150CD);			
Pair	(1)	RM8230	
Each	(2)	RL1575	
Cleaning fluid (1 Litre)	(a/r)	RX1346	
Use to clean elements when servicing.			
Element oil;			
Use to re-oil filter elements after cleaning.			
57cc sachet	(a/r)	RX1347	
250ml bottle	(a/r)	RX1348	
400ml aerosol	(a/r)	RX1349	
Carb needle			
Use when K&N and tubular manifold fitted.			
Mk1 & Mk2 (2 Litre)	(2)	514976MK1-2	

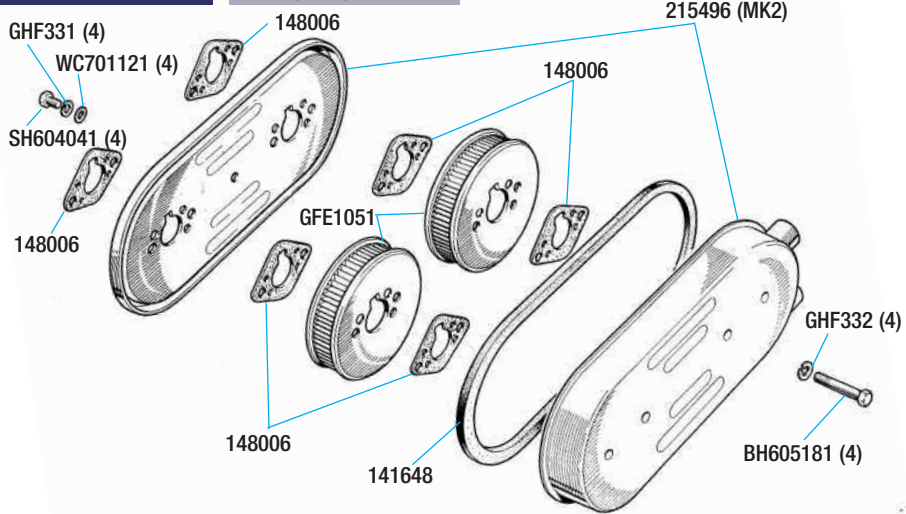


Air Cleaner - Standard

Air filter element;
See also K&N filters.

1600 up to engine number HB27985E	(1)	GFE1009
1600 from HB27986E & all 2 Litre	(2)	GFE1051
Gasket;		
Filter to carb (for GFE1051)	(2)	148006
Filter to air box (for GFE1051)	(4)	148006
Bolt - air filter to carb	(4)	BH605181
Washer - spring	(4)	GHF332
Set screw (Front cover to back plate)	(4)	SH604041
Washer - spring	(4)	GHF331
Washer - plain	(4)	WC701121
Air box assy;		
2 Litre MK1	(1)	214414
2 Litre MK2	(1)	215496
Seal (air box)	(1)	141648

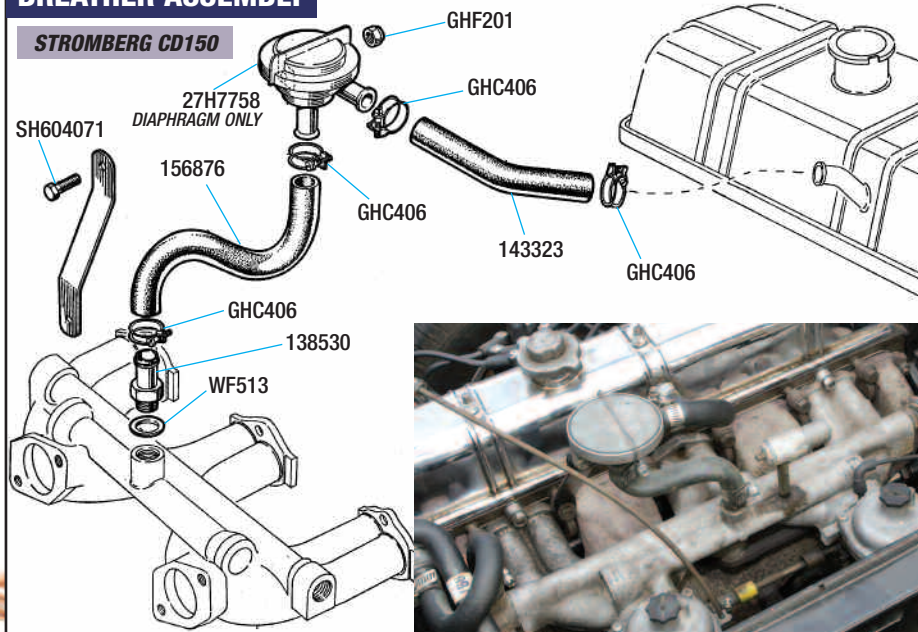
AIR CLEANER

1600 (LATE) & 2 LITRE


Engine Breather - Stromberg CD150

Breather adaptor	(1)	138530
Fibre washer	(1)	WF513
Hose clip	(4)	GHC406
Hose (from adaptor)	(1)	156876
Diaphragm (breather valve) Comprises diaphragm, lower plunger & top cover.	(1)	27H7758
Hose (from breather valve)	(1)	143323
Set Screw (breather to support)	(1)	SH604071
Nut - Nyloc	(1)	GHF201

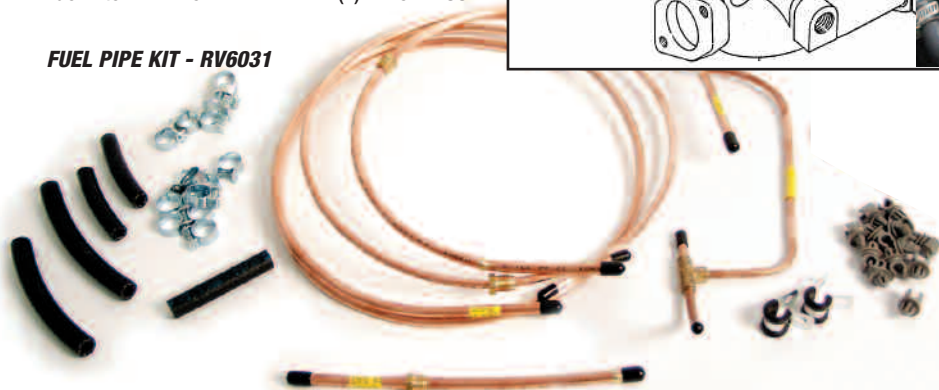
BREATHER ASSEMBLY

STROMBERG CD150


Fuel Pump & Filter

Fuel pump assy		
1600 & 2 Litre MK1	(1)	216559
2 Litre MK2	(1)	213577
Gasket - pump to block	(1)	138791
Stud - pump to block	(2)	100433
Nut (for 100433)	(2)	GHF201
Washer (for GHF201)	(2)	GHF332
Fuel filter - in line	(1)	GFE7004

FUEL PIPE KIT - RV6031



Fuel Tank & Fittings

Fuel tank assy;
Early models (Screw type sender unit) (1) NLA

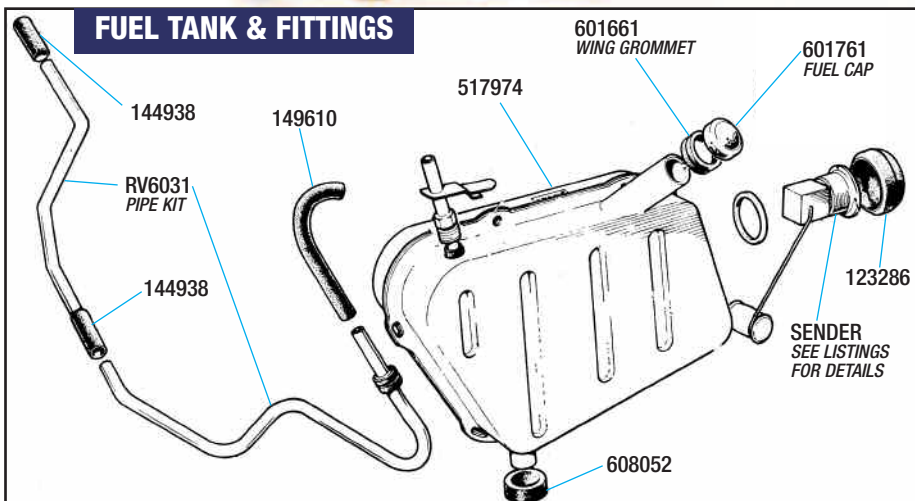
The screw type sender unit tanks are not available, use the later type with the matching sender (215846) Retaining Ring (ARA1501) & Seal (ARA1502).

Late models (1) 517974

Locking ring type sender unit.
Tank not supplied with additional support, reserve bracket or pickup pipe.

Fuel tank sender unit;
Screw type (1) 213411
Lock ring type (1) 215846
Gasket - sender unit (all)
(1) 2H1082
Retaining ring (for 215846)
(1) ARA1501
Seal (for ARA1501)
(1) ARA1502
Sender unit cover
(1) 123286
Fuel pipe kit (tank to engine)
RV6031
Connectors - fuel pipe;
In - line connectors (3) 144938
Fuel line to tank (1) 149610
Clip - fuel/brake pipe;
Metal clip (single) (a/r) 59191
Plastic clip (double) (a/r) 624155
Fuel Cap;
Original chrome (non lockable) (1) 601761
Seal only (for original cap) (1) RS1441
Locking type (1) GSS193
Seal (fuel filler to rear wing)
(1) 601661
Seal - drain neck (to boot floor)
(1) 608052

FUEL TANK & FITTINGS


ORDER ON: 01522 568000 / www.rimmerbros.co.uk

Manifold & Fittings Standard

See also: **Sports Exhaust Systems.**

Note: 1600 listings refer to eng. no HB27986E onwards.

Exhaust manifold - Standard;		
1600 & 2 Litre Mk1	(1)	306483R
2 Litre Mk2	(1)	308290
Gasket - Exhaust/inlet manifold to head;		
1600 & 2 Litre Mk1	(1)	AJM613
2 Litre Mk2	(1)	GEG682
Gasket - Exhaust manifold to down pipe;		
1600 & 2 Litre Mk1	(1)	GEG701
2 Litre Mk2	(1)	GEG718

EXHAUST MANIFOLD FIXINGS (Studs/Bolts)

Manifold to down pipe;		
1600 & 2 Litre Mk1		
Stud	(3)	TE605105
Nut (For TE605105)	(3)	515369
Washer-Locking (For TE605105)	(3)	GHF332
2 Litre Mk2		
Stud	(3)	115696
Nut (For 115696)	(3)	108951
Washer (For 115696)	(3)	GHF333
Manifold to cylinder head - 1600 & 2 Litre Mk1;		
Stud - Outer (Exh manifold only to head)	(2)	105124
Nut (For 105124)	(2)	100498
Washer - Locking (For 105124)	(2)	GHF333
Stud - Top/outer (Manifold to head)	(2)	105124
Washer - Locking (For 105124)	(2)	GHF332
Nut - Locking (For stud 105124)	(2)	GHF201
Bolt*	(6)	BH606141
Washer - Locking* (For BH606141)	(6)	GHF333
Washer - Spherical* (For BH606141)	(6)	119324
Clamp*	(6)	123760
Plate*	(6)	123761
*These items locate exhaust & inlet manifolds to head.		
Dowel* (Special)	(1)	127398
Stud* (Inlet manifold to exh manifold)	(1)	129619
Washer - Locking* (For 129619)	(1)	GHF333
Nut - Lock* (Special) (For 129619)	(1)	NT606041
*These items also locate the inlet manifold.		
Manifold to cylinder head - 2 Litre Mk2;		
Stud - Outer (Exh manifold only to head)	(4)	105124
Stud* (Inlet/exh manifold to head)	(6)	105125
Nut*	(10)	100498
Washer - locking*	(10)	GHF333
Clamp (Special)*	(6)	58258
Stud*	(3)	TE605105
Nut* (5/16)	(3)	GHF201
Washer - locking* (5/16)	(3)	GHF332
Dowel* (Special)	(2)	DS3112
*These items also locate the inlet manifold.		
*These items locate exhaust & inlet manifolds to head.		

Exhaust Systems Standard - Mild Steel

MILD STEEL EXHAUSTS

Most mild steel exhausts are no longer available, having been discontinued by all the major manufacturers.

Please refer to our Price Guide using the 'GEX' part number prefix (see below) - without an 'SS' suffix - for current price and availability of mild steel exhaust components.

We do offer - from stock, a full range of Stainless Steel exhausts (at very affordable prices!), which will ensure long exhaust life and enhance the value of your vehicle.

Exhaust Systems Standard - Stainless Steel

Note: Fitting kits include clamps, mountings, fittings, gaskets & jointing compound to assemble exhaust. Bracketry is not included.

1600 Models

Full system (Stainless Steel)	(1)	RV6024
Front pipe	(1)	GEX1253SS
Silencer & tail pipe	(1)	GEX3202SS
Fitting kit	(1)	RV6024FK

2 Litre Mk1 Models

Full system (Stainless Steel)	(1)	RV6033
Front pipe	(1)	GEX1265SS
Centre box	(1)	GEX3214SS
Rear silencer & tail pipe	(1)	GEX3215SS
Fitting kit	(1)	RV6033FK

2 Litre Mk2 Models

Vehicles to HC51583		
Full system (Stainless Steel)	(1)	RV6030
Front pipe	(1)	GEX1423SS
Rear silencer & tail pipe	(1)	GEX3364SS
Fitting kit	(1)	RV6030FK

Vehicles from HC51584

Full system (Stainless Steel)	(1)	RV6007
Front pipe	(1)	GEX1472SS
Rear silencer & tail pipe	(1)	GEX3394SS
Fitting kit	(1)	RV6007FK

Exhaust Fittings & Mountings

Note; for fitting kits refer to exhaust systems.

Bracket - front pipe support;
Note Front Pipe Bracket is NOT included in fitting kits.

1600 & 2 Litre MK1	(1)	134345
2 Litre MK2	(1)	151343

1600 & 2 Litre Mk1

Mountings;		
Front pipe		
Flexible strap	(1)	GEX7359
Set screw	(1)	SH605091
Washer - plain	(1)	GHF301
Clamp plate	(2)	GEX7510
Front of rear silencer		
Clamp	(1)	GEX7506
Bolt	(1)	BH605221
Washer - plain	(1)	GHF301
Washer - locking	(1)	GHF331
Nut	(1)	GHF201
Bracket	(1)	105578

Front pipe to silencer mounting.		
Flexible strap	(1)	GEX7359
Set screw	(2)	GHF103
Clamp plate	(2)	GEX7510
Nut - Nyloc	(2)	GHF272

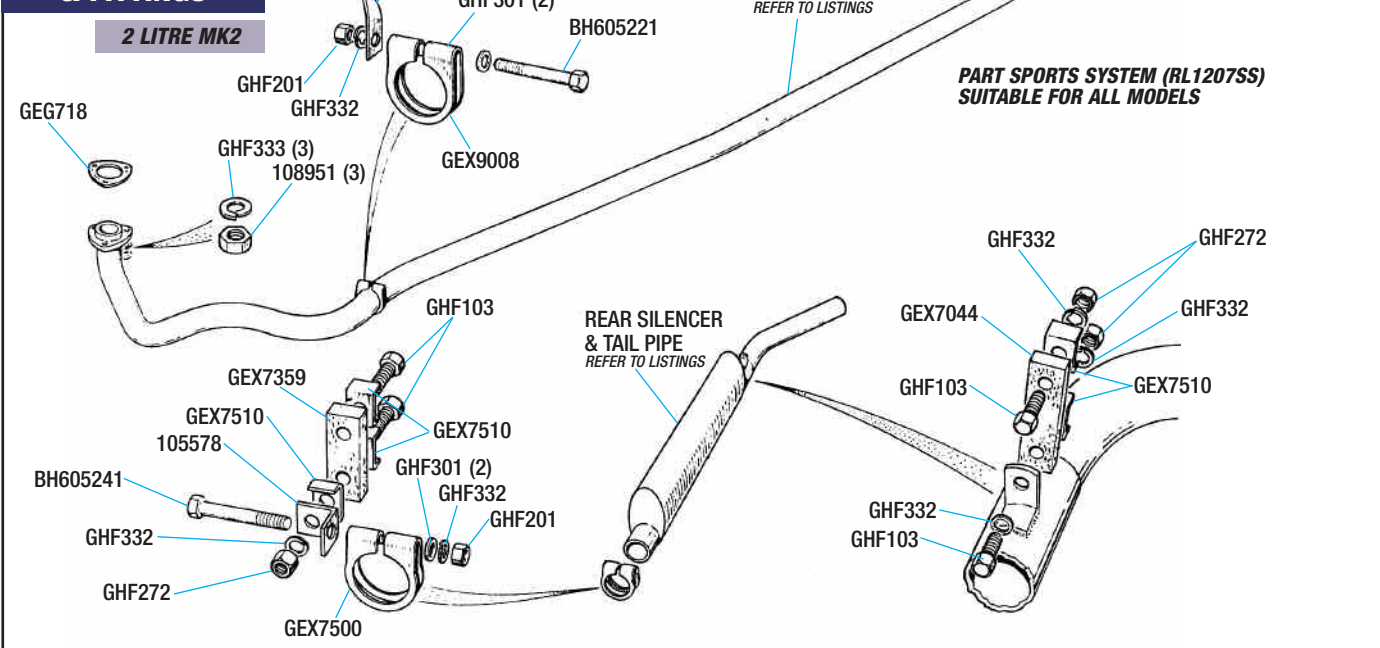
Rear of rear silencer		
Flexible strap	(1)	GEX7359
Set screw	(2)	GHF103
Clamp plate	(2)	GEX7510
Nut - Nyloc	(2)	GHF272

2 Litre Mk 2 Models

Mountings;		
Front pipe		
Clamp	(1)	GEX9008
Bracket	(1)	151343
Bolt	(1)	BH605221
Washer - plain	(2)	GHF301
Washer - locking	(1)	GHF332
Nut	(1)	GHF201

Rear silencer		
Clamp	(1)	GEX7500
Clamp plate (front)	(3)	GEX7510
Bracket (front)	(1)	105578
Bolt	(1)	BH605241
Washer - plain	(2)	GHF301
Washer - locking	(5)	GHF332
Nut	(1)	GHF201
Flexible strap (front)	(1)	GEX7359
Set screw	(4)	GHF103
Nut	(4)	GHF272
Clamp plate (rear)	(2)	GEX7510
Flexible strap (rear)	(1)	GEX7044

EXHAUST SYSTEM & FITTINGS





**STAINLESS STEEL STANDARD EXHAUST SYSTEM
- MK2 2 LITRE (LATE) - RV6007**

Sports Exhaust Systems

Full sports system;

Inc. Manifold & Twin Box System.

2 Litre Mk1	(1)	RV6115
Fitting kit	(1)	RV6115FK
2 Litre Mk2	(1)	RV6116
Fitting kit	(1)	RV6116FK
Part sports system	(1)	RV6109SS

Inc Link Pipe, Y - Section and Twin Exhaust Boxes.

System fits straight into Tubular Manifold or cut down MK2 Downpipe. Use RL 1496 adaptor sleeve for MK1 Standard Downpipes.

Fitting kit (Part system only);

Mk1 (inc adaptor sleeve)	(1)	RL1446
Mk2	(1)	RV6112



**STAINLESS STEEL
FULL SPORTS SYSTEM
MK2 2 LITRE - RV6116**



**STAINLESS STEEL
PART SPORTS SYSTEM
- RV6109SS**

Tubular Exhaust Manifold

Note; When fitting a tubular manifold, the carbs may require adjustment.

6 Branch tubular exhaust manifold;

2 Litre Mk1	(1)	RG1276SS
2 Litre Mk2	(1)	RG1143SS

Gasket (manifold to head);

2 Litre Mk1	(1)	AJM613
2 Litre Mk2	(1)	GEG682



**STAINLESS STEEL
TUBULAR MANIFOLD
MK2 2 LITRE
- RG1143SS**

INSULATING HEAT WRAP

**COOL IT™
Thermo-Tec**



Thermo-Tec exhaust insulating wrap reduces under bonnet temperatures by as much as 70%, this increases air intake and exhaust gas velocity which adds performance.

Retaining the heat in the exhaust protects you from mechanical burns and it will also help to prevent under bonnet fires. Any electrical components which are close to the manifold will be less prone to heat failure, increasing their life and performance. As an added benefit, under bonnet noise is also reduced! Thermo-Tec can be used on any 4 stroke, 2 stroke or diesel engine and contains no asbestos or carcinogens.

The Snap Strap Installation Kit secures Thermo-Tec exhaust insulation wrap to your tubular manifold/s. A stainless steel high temperature material designed better than hose clamps and is easier to use.

Also recommended is Hy-cote paint. This preserves and protects the exhaust wrap after installation. Extra resins and binders seal the pores, toughen the surface and help extend the life of the wrap.

APPLICATION GUIDELINES FOR TUBULAR MANIFOLDS

ENGINE TYPE	INSULATING WRAP	SNAP STRAP KIT	TYPICAL APPLICATION
4 Cylinder	1 x RX1382	1 x RX1383	Herald, Spitfire, TR7, Dolomite Sprint
6 Cylinder	2 x RX1382	1 x RX1383	Vitesse, GT6 TR6
8 Cylinder	2 x RX1382	1 x RX1383	TR7 V8, TR8, Stag, Rover SD1

GUIDE TO TYPICAL AMOUNT OF WRAP REQ'D BY PIPE SIZE

PIPE SIZE	2"	3"	4"	5"	6"
INCHES OF WRAP PER FOOT OF PIPE	44"	57"	70"	83"	96"

Exhaust Insulating Wrap - 2" x 50' **RX1382**

Snap Strap Exhaust Wrap Installation Kit **RX1383**

Hy-cote Paint, Aerosol (400ml)
Available in black or aluminium. **RX1432**

Gearbox Units - Recon/Exchange

Gearbox unit;
Supplied less; bell housing, gear lever, top cover extension & ancillaries.

Non-overdrive type		
1600	(1)	RV6094R
2 litre	(1)	RG1012R
Overdrive type (less O/D)		
1600	(1)	RV6017R
2 litre	(1)	RV6034R
Overdrive type (including 'D' type O/D)		
1600	(1)	RV6036R
2 litre	(1)	RV6029R

Gear oil (0.5L) (a/r) **GGL190**
Capacities; Gearbox 0.9L, with overdrive 1.4L.

Gearbox Mountings

See: 'Engine & Gearbox Mountings' for fixing bolts/nuts etc.

Gearbox mountings;		
Non overdrive	(2)	122689
Overdrive	(1)	159656
Bracket (overdrive inhibitor switch)	(1)	158002

Gearbox Tunnel Cover

Gearbox tunnel cover:		
Fibre glass	(1)	709862FG
Plastic	(1)	709862PL
Seal kit	(1)	RH5091
Fitting kit	(1)	709862FK

Gaskets & Oil Seals

Gasket set;		
Gearbox	(1)	RV6008
Overdrive	(1)	RG1048
Gaskets - gearbox & overdrive;		
Bellhousing to gearbox	(1)	122569
G/box to rear extension/adaptor	(1)	106437
Top cover to gearbox	(1)	22G1911
Remote g/lever ext' to top cover	(1)	120305
Adaptor to overdrive	(1)	37H1901
Overdrive man case to rear case	(1)	37H1901
Solenoid to overdrive case	(1)	7H8196
Solenoid side plate	(1)	513204
Side plate	(1)	506098
Oil seals - gearbox & overdrive;		
Front cover (bellhousing)	(1)	132292
Rear output		
Non-overdrive	(1)	88G564
Overdrive	(1)	7H8325

Gearbox Reconditioning Kits

Gearbox reconditioning kit;
Includes gearbox gaskets, oil seals, bearings, synchro rings, layshaft and reverse gear (2 litre only).

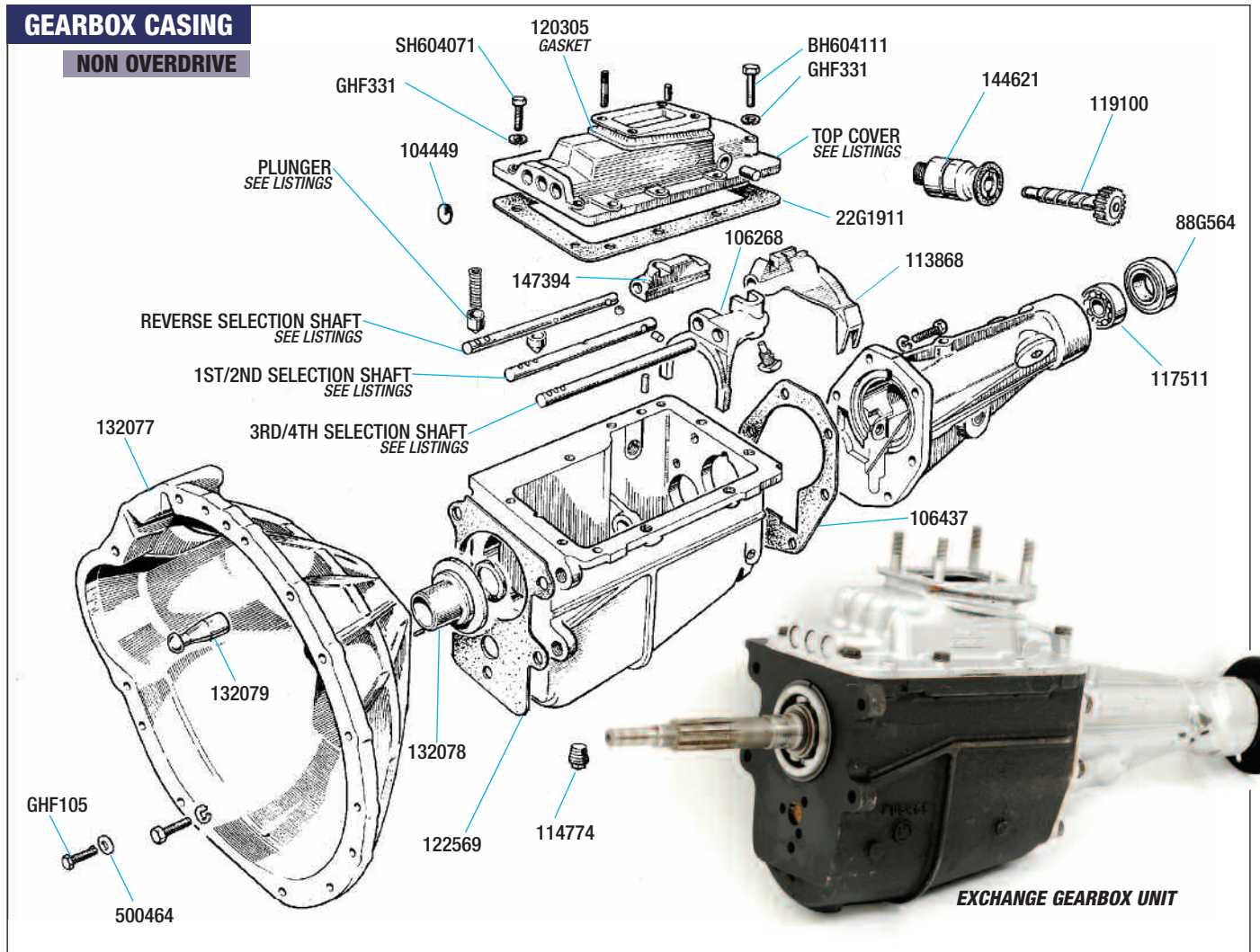
Non-overdrive models;		
1600	(1)	RV6216
2 Litre	(1)	RV6085
Overdrive models;		
Does not include overdrive components or overdrive gaskets.		
1600	(1)	RV6217
2 Litre	(1)	RG1183

Clutch Housing & Operation

Bell housing	(1)	132077
Release bearing;		
1600	(1)	GRB206
2 Litre	(1)	GRB209
Carrier - release bearing;		
1600	(1)	116298
2 Litre	(1)	143707
Clutch fork	(1)	132080
Fulcrum pin	(1)	132079
Housing (bush/oil seal)	(1)	132078
Oil seal (front housing)	(1)	132292
Dowel (for housing)	(1)	DP205
Bolt (Wedglok)	(1)	GHF105
Washer - copper	(1)	500464
Bolt (bell housing to gearbox)	(4)	GHF105
Washer - spring (for GHF105)	(4)	GHF333
Split pin (oil drain hole)	(1)	PC34
Tension spring	(3)	137532

Gearbox Case/Rear Extension

Gearbox casing;		
Plug (oil drain)	(1)	114774
Plug (oil drain) (magnetic)	(1)	155660
Plug (oil filler)	(1)	22G2115
Gaskets;		
Bellhousing to gearbox	(1)	122569
G/box to rear extension	(1)	106437
Top cover to gearbox	(1)	22G1911
Remote extension to top cover	(1)	120305
Casing (rear extension)	(1)	106437
Bearing - output (Non overdrive)	(1)	117511
Oil seal - output (Non overdrive)	(1)	88G564



Gear Lever - Remote & Top Cover Fittings

GEAR LEVER FITTINGS

See illustration below.

Gear lever	(1)	149136
Gear knob;		
Leather	(1)	RL1528L
Wood	(1)	RL1528W
Leather - Larger AMCO style	(1)	RL1528LA
Wood - Larger AMCO style	(1)	RL1528WA
Lock nut (for gear knob)	(1)	NT605041
Bush kit (gear lever)	(1)	519770
<i>Stops those annoying buzzing noises and tightens up the gear change action. See items marked * in illustration below.</i>		
Gaiter (gear lever)	(1)	611353

REMOTE FITTINGS

See illustration below.

Top cover casing	(1)	306152
Gasket (extension to top cover)	(1)	120305
Nut (locates to studs on top cover)	(4)	GHF201
Washer - spring (for nut GHF201)	(4)	GHF332
Plate - Reverse baulk	(1)	120307
Rivet (for plate 120307)	(2)	RF2607
Bolt (gear lever to operating shaft)	(1)	125054
Nut (for bolt 125054)	(1)	GHF271
Operating shaft (rear/long)	(1)	129952
Bush (operating shaft)	(1)	119262
Centre coupling	(1)	127741
Setscrew (centre coupling to shaft)	(1)	SH604091
Washer (special - nylon)	(2)	155801
Nut - nyloc	(1)	GHF271
Dowel (centre coupling to operating shaft)	(1)	DS2516
Operating shaft (front/short)	(1)	127740
O Ring	(2)	118053
<i>For front operating shaft (127740) & gear selector (118040).</i>		
Gear selector	(1)	118040
Setscrew (Taper/Wedglok)	(1)	122653

SELECTOR FITTINGS

See illustration on opposite page.

Selector shafts;		
1st & 2nd	(1)	108020
2 Litre all models	(1)	146240
3rd & 4th	(1)	108021
Reverse		
1600	(1)	134290
2 Litre all models	(1)	154945
Selector forks;		
1st & 2nd	(1)	113868
3rd & 4th	(1)	106268
Plug (selector shafts)	(6)	104449
Spring (plunger)	(3)	22G2198
Plunger;		
Forward	(2)	106481
Reverse	(1)	136990
Actuator	(1)	147394
Actuator cam - overdrive	(1)	158072
Bracket - overdrive switch	(1)	158002
Switch - overdrive / reverse light	(2)	BAU1074A



BUSH KIT - 519770

Speedo Cable & Drive Pinion

NON-OVERDRIVE Models

Speedo cable	(1)	GSD111
Speedo drive pinion	(1)	119100
'O' ring	(2)	NKC101A
Oil seal (Speedo drive pinion)	(1)	NKC105A
Housing/bearing (Speedo drive pinion)	(1)	144621

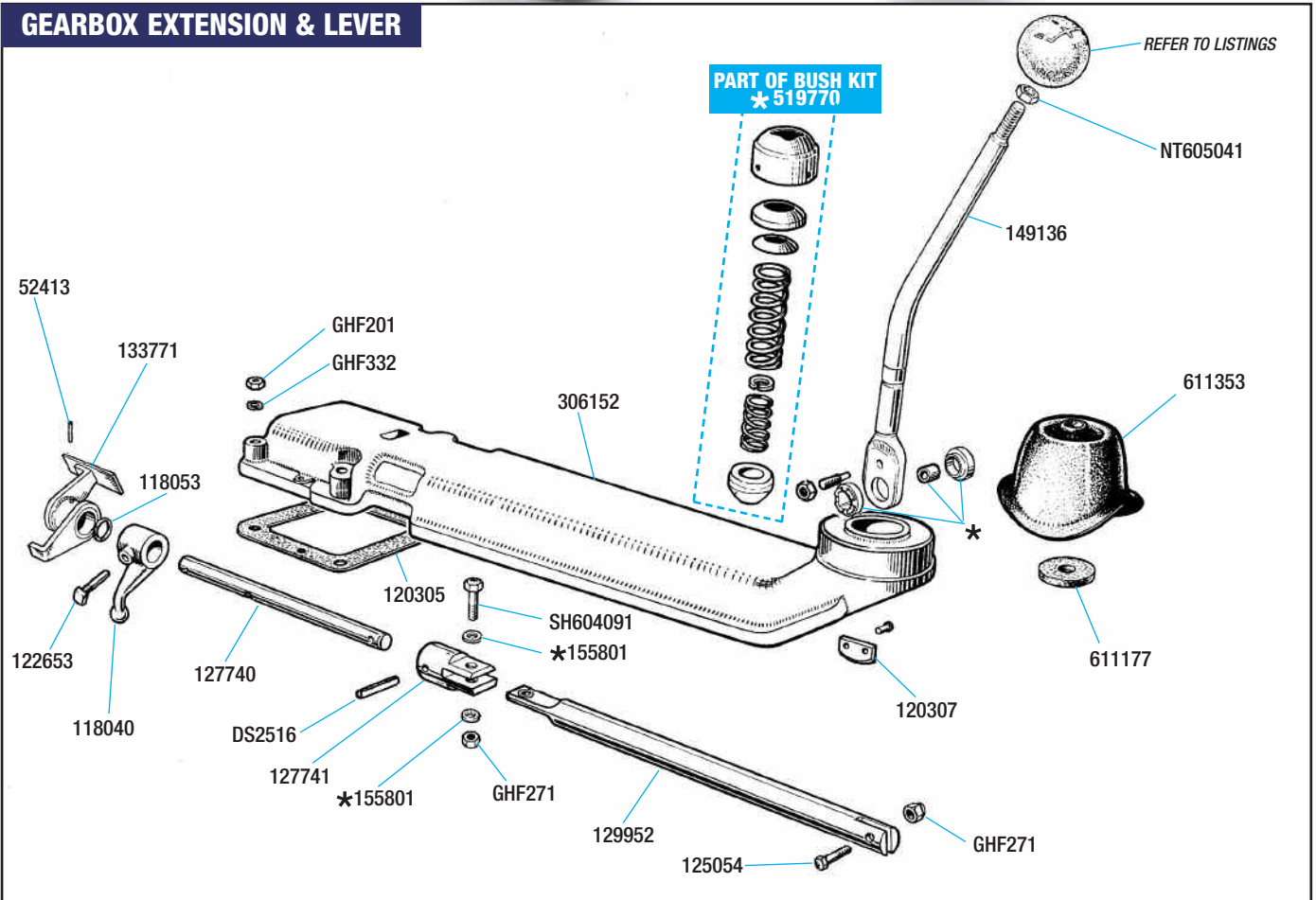
OVERDRIVE Models

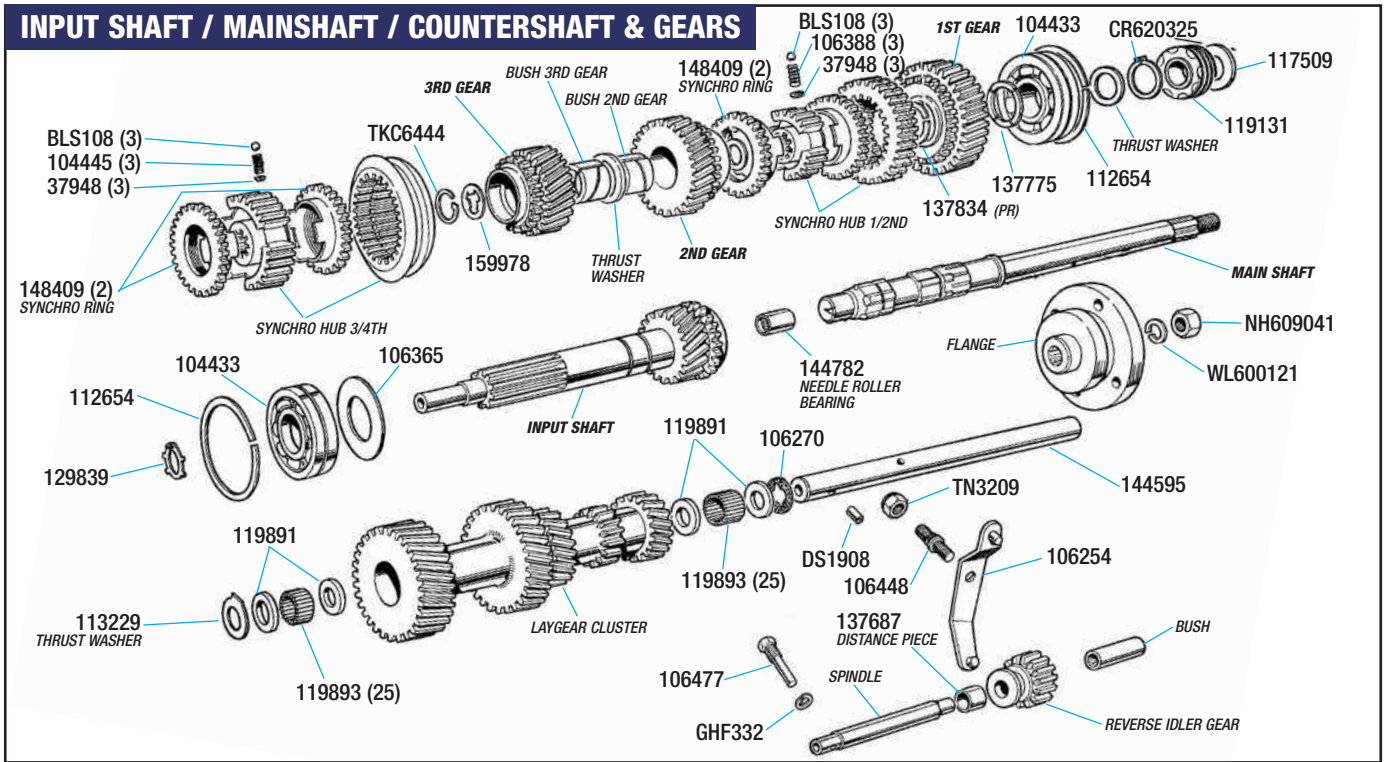
Speedo cable	(1)	GSD115
Angle drive	(1)	120694
Speedo drive pinion	(1)	506119
'O' ring/seal	(1)	506115
Housing/bearing (Speedo drive pinion)	(1)	506066
Mill pin (1/16")	(1)	501606
<i>For housing/bearing 506066.</i>		
Oil seal (Speedo drive pinion)	(1)	NKC105A



GEAR KNOBS - RL1528 REFER TO LISTINGS

GEARBOX EXTENSION & LEVER





Input Shaft/Mainshaft & Gears

1600 Models

INPUT SHAFT & FITTINGS

Input shaft	(1)	208820
Oil thrower	(1)	106365
Bearing - front (<i>Locates in main case</i>)	(1)	104433
Snap ring	(1)	112654
<i>Retains bearing 104433 in casing.</i>		
Circlip	(1)	129839

MAINSHAFT & FITTINGS

Mainshaft	(1)	204679
Needle roller bearing	(1)	118507
Washer - mainshaft	(1)	117509
Gear (<i>speedo drive</i>)	(1)	119131
Circlip (<i>centre bearing</i>)	(1)	CR620325
Washer (<i>centre bearing</i>)	(1)	104438
Snap ring (<i>centre bearing</i>)	(1)	112654
Centre bearing	(1)	104433
Washer	(1)	137775
1st gear	(1)	132446
Split collar (pr)	(1)	137834
Synchro hub 1st/2nd	(1)	509652
Ball (<i>synchro hub</i>)	(3)	BLS108
Spring (<i>synchro hub</i>)	(3)	106388
Shim (<i>synchro hub</i>)	(3)	37948
Synchro rings	(2)	148409
2nd speed gear	(1)	132296
Bush 2nd gear (<i>Bronze</i>)	(1)	111424
Thrust washer (<i>2nd/3rd Gear</i>);		
0.152"/0.154"	(a/r)	111422
0.156.5"/0.158.5"	(a/r)	149963
0.161"/0.163"	(a/r)	131843
Bush 3rd gear (<i>Bronze</i>)	(1)	147354
3rd speed gear	(1)	132097
Thrust washer	(1)	159978
<i>Fits between 3rd gear & circlip.</i>		
Circlip (<i>3rd gear</i>)	(1)	TKC6444
3rd/4th (<i>synchro hub</i>)	(1)	509651
Ball (<i>synchro hub</i>)	(3)	BLS108
Shim (<i>synchro hub</i>)	(3)	37948
Spring (<i>synchro hub</i>)	(3)	104445
Synchro ring	(2)	148409

DRIVE FLANGE & FITTINGS

Drive Flange (<i>non overdrive</i>)	(1)	109050
Washer (<i>Spring</i>)	(1)	WL600121
Nut	(1)	NH609041

2 Litre Mk1 Models

INPUT SHAFT & FITTINGS

Input shaft	(1)	213113
Oil thrower	(1)	106365
Bearing - front (<i>Locates in main case</i>)	(1)	104433
Snap ring	(1)	112654
<i>Retains bearing 104433 in casing.</i>		
Circlip	(1)	129839

MAINSHAFT & FITTINGS

Mainshaft;		
Overdrive	(1)	TKC923
Non overdrive	(1)	213018
Needle roller bearing	(1)	144782
Washer - mainshaft	(1)	117509
Gear (<i>speedo drive</i>)	(1)	119131
Circlip (<i>centre bearing</i>)	(1)	CR620325
Snap ring (<i>centre bearing</i>)	(1)	112654
Centre bearing	(1)	104433
Washer	(1)	137775
1st gear	(1)	144627
Split collar (pr)	(1)	137834
Synchro hub 1st/2nd	(1)	515377
Ball (<i>synchro hub</i>)	(3)	BLS108
Spring (<i>synchro hub</i>)	(3)	106388
Shim (<i>synchro hub</i>)	(3)	37948
Synchro ring	(2)	148409
2nd Speed gear	(1)	137615
Bush 2nd gear (<i>Bronze</i>)	(1)	147354
Thrust washer (<i>2nd/3rd Gear</i>);		
0.152"/0.154"	a/r	111422
0.156.5" / 0.158.5"	a/r	149963
0.161" / 0.163"	a/r	131843
Bush 3rd gear (<i>Bronze</i>)	(1)	147354
3rd Speed gear	(1)	132097
Thrust washer	(1)	159978
<i>Fits between 3rd gear & circlip.</i>		
Circlip (<i>3rd gear</i>)	(1)	TKC6444
3rd/4th synchro hub	(1)	509651
Ball (<i>synchro hub</i>)	(3)	BLS108
Shim (<i>synchro hub</i>)	(3)	37948
Spring (<i>synchro hub</i>)	(3)	104445
Synchro ring	(2)	148409

DRIVE FLANGE & FITTINGS

Drive flange (<i>non overdrive</i>)	(1)	144690
Washer (<i>Spring</i>)	(1)	WL600121
Nut	(1)	NH609041

2 Litre Mk2 Models

INPUT SHAFT & FITTINGS

Input shaft	(1)	216887
Oil thrower	(1)	106365
Bearing - front (<i>Locates in main case</i>)	(1)	104433
Snap ring	(1)	112654
<i>Retains bearing 104433 in casing.</i>		
Circlip	(1)	129839

MAIN SHAFT & FITTINGS

Mainshaft;		
Overdrive	(1)	TKC923
Non overdrive	(1)	213018
Needle roller bearing	(1)	144782
Washer - mainshaft	(1)	117509
Gear (<i>speedo drive</i>)	(1)	119131
Circlip (<i>centre bearing</i>)	(1)	CR620325
Snap ring (<i>centre bearing</i>)	(1)	112654
Centre bearing	(1)	104433
Washer	(1)	137775
1st gear	(1)	154821
Split collar (pr)	(1)	137834
Synchro hub 1st/2nd	(1)	156911
Ball (<i>synchro hub</i>)	(3)	BLS108
Spring (<i>synchro hub</i>)	(3)	106388
Shim (<i>synchro hub</i>)	(3)	37948
Synchro ring	(2)	148409
2nd Speed gear	(1)	152743
Bush 2nd gear (<i>Bronze</i>)	(1)	147354
Thrust washer (<i>2nd/3rd Gear</i>);		
0.152"/0.154"	(a/r)	111422
0.156.5" / 0.158.5"	(a/r)	149963
0.161" / 0.163"	(a/r)	131843
Bush 3rd gear (<i>Bronze</i>)	(1)	147354
3rd Speed gear	(1)	153644
Thrust washer	(1)	159978
<i>Fits between 3rd gear & circlip.</i>		
Circlip (<i>3rd gear</i>)	(1)	TKC6444
3rd/4th synchro hub	(1)	156968
Ball (<i>synchro hub</i>)	(3)	BLS108
Shim (<i>synchro hub</i>)	(3)	37948
Spring (<i>synchro hub</i>)	(3)	104445
Synchro ring	(2)	148409

DRIVE FLANGE & FITTINGS

Drive flange (<i>non overdrive</i>)	(1)	144690
Washer (<i>Spring</i>)	(1)	WL600121
Nut	(1)	NH609041

Countershaft/Reverse Gear & Operating Lever

Note: listing, below relate to illustration on opposite page.

1600 Models

Countershaft (Laypin)	(1)	144595
Dowel - spring	(1)	DS1908
Thrust washer (countershaft rear)	(1)	106270
Needle rollers (pack of 50)	(1)	119893
Retaining ring (for rollers)	(4)	119891
Laygear cluster	(1)	208788
Thrust washer (countershaft front)	(1)	113229
Bolt (countershaft locating)	(1)	106476
Washer - locking	(1)	GHF332

REVERSE GEAR & OPERATING LEVER

Reverse Idler Gear assy	(1)	132293
Bush (Reverse Gear)	(1)	129862
Distance piece	(1)	137687
Spindle (Reverse Gear)	(1)	113071
Operating lever (Reverse)	(1)	106254
Fulcrum Pin (threaded both ends)	(1)	106448
Nut - Nyloc (Fulcrum pin)	(1)	TN3209
Screw (Spindle locking)	(1)	106477
Washer - locking	(1)	GHF332

2 Litre Mk1 Models

Countershaft (Laypin)	(1)	144595
Dowel - spring	(1)	DS1908
Thrust washer (countershaft rear)	(1)	106270
Needle rollers (pack of 50)	(1)	119893
Retaining ring (for rollers)	(4)	119891
Laygear cluster	(1)	212993
Thrust washer (countershaft front)	(1)	113229

REVERSE GEAR & OPERATING LEVER

Reverse idler gear assy	(1)	144580
Bush (Reverse Gear)	(1)	104420
Distance piece	(1)	137687
Spindle (Reverse Gear)	(1)	113071
Operating lever (Reverse)	(1)	106254
Fulcrum pin (threaded both ends)	(1)	106448
Nut - Nyloc (Fulcrum pin)	(1)	TN3209
Screw (Spindle locking)	(1)	106477
Washer - locking	(1)	GHF332

2 Litre Mk2 Models

Countershaft (Laypin)	(1)	144595
Dowel - spring	(1)	DS1908
Thrust washer (countershaft rear)	(1)	106270
Needle rollers (pack of 50)	(1)	119893
Retaining ring (for rollers)	(4)	119891
Laygear cluster	(1)	212993
Thrust washer (countershaft front)	(1)	113229

REVERSE GEAR & OPERATING LEVER

Reverse idler gear assy	(1)	144580
Bush (Reverse Gear)	(1)	104420
Distance piece	(1)	137687
Spindle (Reverse Gear)	(1)	113071
Operating lever (Reverse)	(1)	106254
Fulcrum Pin (threaded both ends)	(1)	106448
Nut - Nyloc (Fulcrum pin)	(1)	TN3209
Screw (Spindle locking)	(1)	106477
Washer - locking	(1)	GHF332

COMPONENT & COMMISSION NUMBERS

Where commission and/or component serial numbers are quoted in this parts catalogue (to help identify factory specification changes), they refer to components and/or parts when the vehicle was new, and not subsequent replacements.

Overdrive & Fittings ('D' type)

We have only listed major components in this section. There are many parts we hold in stock that are too numerous to list here, if the item you require is not shown, please contact us.

OVERDRIVE & SOLENOID

Overdrive units supplied less solenoid, output flange, adaptor plate & speedo drive.

Note: Ensure gearbox is cleaned internally to avoid cross contamination of old oil before fitting overdrive.

Overdrive unit - 'D' Type;

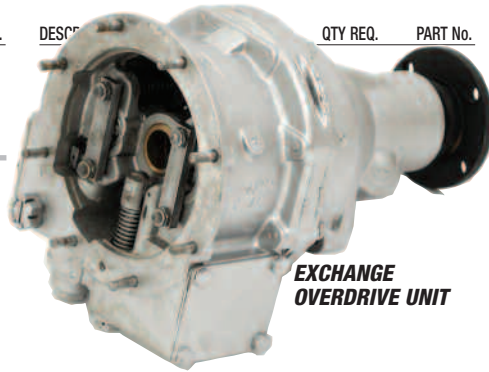
Recon/Exchange	(1)	307862R
Solenoid	(1)	109521
Solenoid plunger only	(1)	109521PL
Gasket (Solenoid to case)	(1)	7H8196
Speedo Angle drive	(1)	120694

ADAPTOR PLATE - GASKETS & OIL SEAL

Adaptor plate (Overdrive to gearbox)	(1)	305137
Gasket set (Overdrive)	(1)	RG1048
Gaskets;		
Adaptor to gearbox	(1)	106437
Adaptor to overdrive main case	(1)	37H1901
O/drive main case to rear extension	(1)	37H1901
Side plate cover	(1)	506098
Side cover - Solenoid side	(1)	513204
Bearing (Rear extension/output)	(1)	533360A
Oil seal (Rear casing/output)	(1)	7H8325

OUTPUT FLANGE & FITTINGS

Drive flange	(1)	146102
Nut (Drive flange);		
Castle head type	(1)	515817
Clevis type	(1)	NKC81
Washer	(1)	UKC8120
Split pin	(1)	PC12



EXCHANGE OVERDRIVE UNIT

Propshaft

Propshaft;		
1600		
Non overdrive	(1)	208942
with overdrive	(1)	208338
2 Litre		
Non overdrive	(1)	211486
with overdrive	(1)	213731
Universal joint	(2)	GUJ115
Bolt - propshaft	(8)	144961A
Nut - Nyloc	(8)	TN3209



GEARBOX TUNNEL COVER - 709862FG
SEAL KIT - RH5091
& FITTING KIT - 709862FK

If you know what you want
why wait until office hours?
Order online anytime!

it's easy
it's secure
it's safe
it's fast
it's efficient



Step 1 - click on your car model...



Step 2 - click the part section you require...



Step 3 - find the part & click on the part number...



Step 4 - choose your quantity & check price...



Step 5 - add extra items to your list if required and then checkout.

www.rimmerbros.co.uk

JOIN OUR E-MAIL LIST FOR NEWS ON SPECIAL OFFERS!

ORDER ON: 01522 568000 / www.rimmerbros.co.uk

GEARBOX - OVERDRIVE - PROPSHAFT

DESCRIPTION QTY REQ. PART No.

Differential

Please enquire for parts not listed.

Differential - reconditioned (6 stud case);		
4.11:1 (1600)	(1)	511350R
3.89:1 (2 litre Mk1)		
Recon	(1)	518946R
Recon - New CWP	(1)	518946RNCWP
3.27:1 (2 litre Mk2)		
Recon	(1)	518950R
Recon - New CWP	(1)	518950RNCWP
Gear oil (0.5 Litre)		
Oil capacity - Diff 0.6 litres.		
Crown wheel & pinion;		
4.11:1 (1600)	(1)	510005
3.89:1 (2 Litre MK1)	(1)	159801
3.27:1 (2 Litre MK2)	(1)	515129
Oil seals;		
Front pinion		
1600	(1)	109054
2 Litre	(1)	DAM5079
Side (Output shaft/Inner axle)		
	(2)	117952
Gasket - diff housing	(1)	114749
Bearings;		
Front pinion - outer		
1600	(1)	217268
2 Litre	(1)	134070
Front pinion - Inner		
1600	(1)	104556
2 Litre	(1)	134065
Side (Diff)		
1600	(2)	157732
2 Litre	(2)	130355
Spacer (fits between front pinion bearings);		
1600	(1)	110907
2 Litre	(1)	145933
Inner axle shaft;		
1600	(2)	132299
2 Litre	(2)	139531
Bearing/inner axle shaft		
	(2)	533360A
Retaining cap - bearing;		
1600	(2)	117547
2 Litre	(2)	139530
Screw - bearing cap		
	(8)	123803
Washer - locking		
	(8)	GHF331
Filler plug		
	(1)	114774
Drain plug (early models only)		
	(1)	114774
Flange & stoneguard;		
1600	(1)	121770
2 Litre	(1)	140913
Nut - castellated;		
1600	(1)	109049
2 Litre	(1)	112635
Washer - plain (all models)		
	(1)	WP12
Split pin		
	(1)	PC34

DESCRIPTION QTY REQ. PART No.

Differential Mountings

Front mountings;		
Upper		
Standard	(2)	133568
Polyurethane	(2)	133568P
Lower		
Standard	(2)	131796
Polyurethane	(2)	131796P
Washer - steel		
	(2)	WM810
Nut - Nyloc		
	(2)	TN3209
Bolt (front cross piece to diff)		
	(4)	132856
Washer (for bolt 132856)		
	(4)	GHF224
Rear mountings;		
Mounting bush		
Standard	(2)	117578
Polyurethane	(2)	117578P
Bolt (diff to chassis)		
	(2)	BH607201
Washer - plain (for bolt BH607201)		
	(2)	WM600071
Nut (for bolt BH607201)		
	(2)	GHF224
Spring mounting stud		
	(6)	131008
<i>Leaf spring to diff case.</i>		

DESCRIPTION QTY REQ. PART No.

Drive Shaft & Rear Hub



NON-Rotoflex

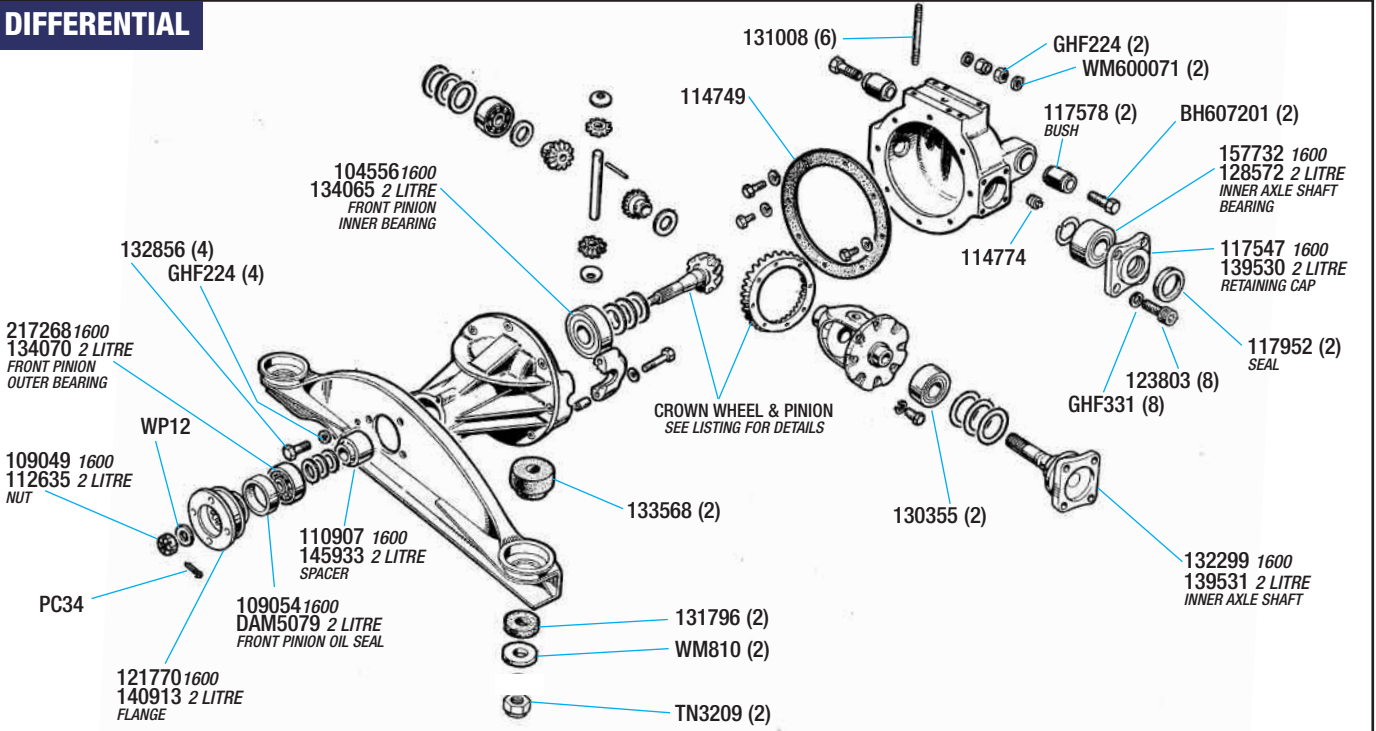
Note: listing, below relate to illustration on opposite page.

NON-'Rotoflex' system fitted to;		
1600 & Mk1 2 Litre.		
Rear hub puller tool	(1)	RX1542
Drive shaft only	(2)	128135
<i>Includes yoke, but less drive flange.</i>		
Drive flange only	(2)	37H4973
Bolt* (Flange to output shaft)	(8)	132023
Nut* (For nut 132023)	(8)	TN3209
<i>*These 2 items are NOT illustrated.</i>		
Universal joint	(2)	GUJ115
Stoneguard/oil flinger	(2)	128469
Woodruff key (Drive shaft to outer hub)	(2)	104581
Rear hub bearing kit (Per hub)	(2)	GHK1022
<i>Hub bearing kit includes items marked*</i>		
Hub seal - Inner*	(2)	128978
Bearing - Inner hub* (Needle roller)	(2)	117853
Hub - Inner (Bearing housing)	(2)	204226
Grease nipple (Not illustrated)	(2)	56935
Blanking plug (Alternative to 56935)	(2)	UHN445
Trunnion kit (Per vehicle)	(1)	514370
Gasket	(2)	GFG117
<i>Hub seal housing 104773 to inner hub</i>		
Bearing - Outer hub	(2)	GHB117
Hub seal - Outer	(2)	GHS111
Housing - Outer hub oil seal	(2)	104773
Grease catcher/flinger	(2)	104582
Tab washer	(4)	121860
Bolt - Tab washer	(8)	121862
Drive flange (Outer)	(2)	FAM2004
Wheel stud only	(8)	21H5774
Nut (Drive shaft retaining)	(2)	510618A

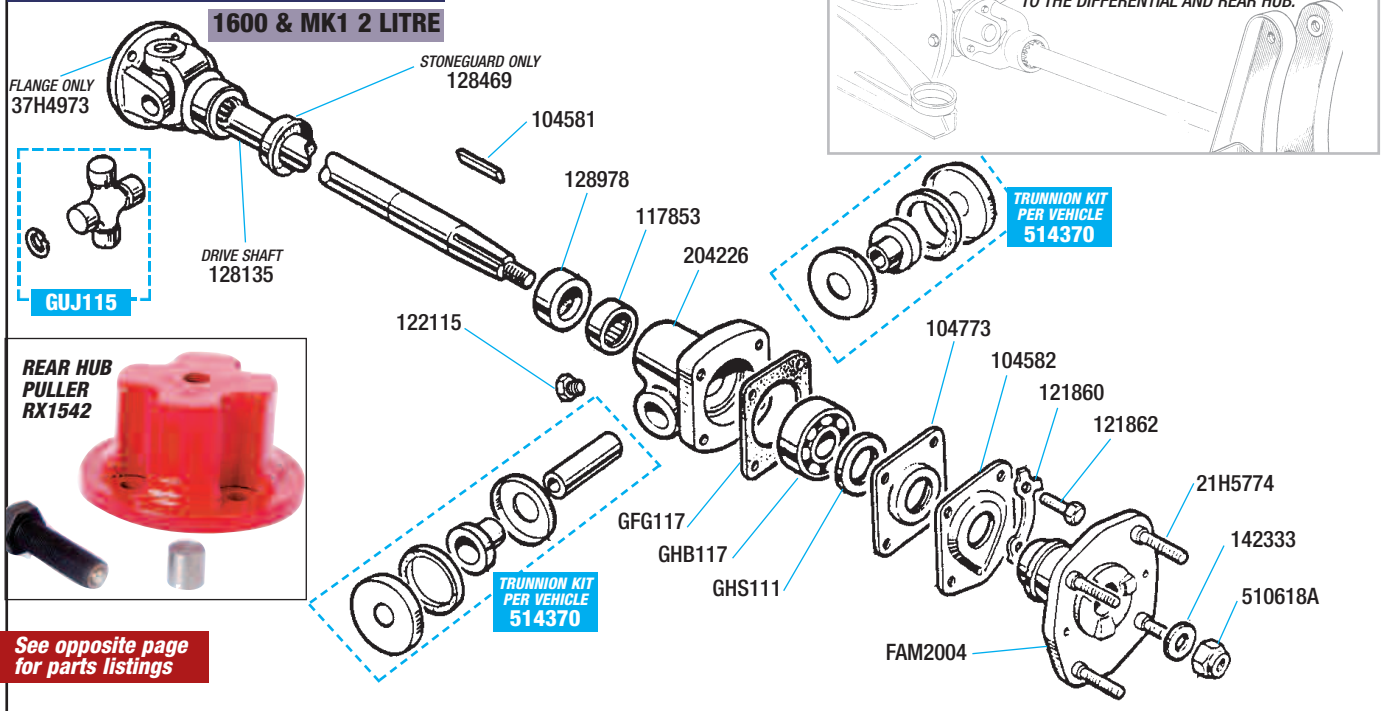


FROM COMPLETE DIFFERENTIALS TO GASKETS, WE HAVE THE PARTS YOU NEED. REFER TO LISTINGS FOR FULL INFORMATION & DETAILS OF DIFFERENTIALS, MOUNTINGS & DIFF COMPONENTS.

DIFFERENTIAL



DRIVE SHAFT & REAR HUB NON ROTOFLEX



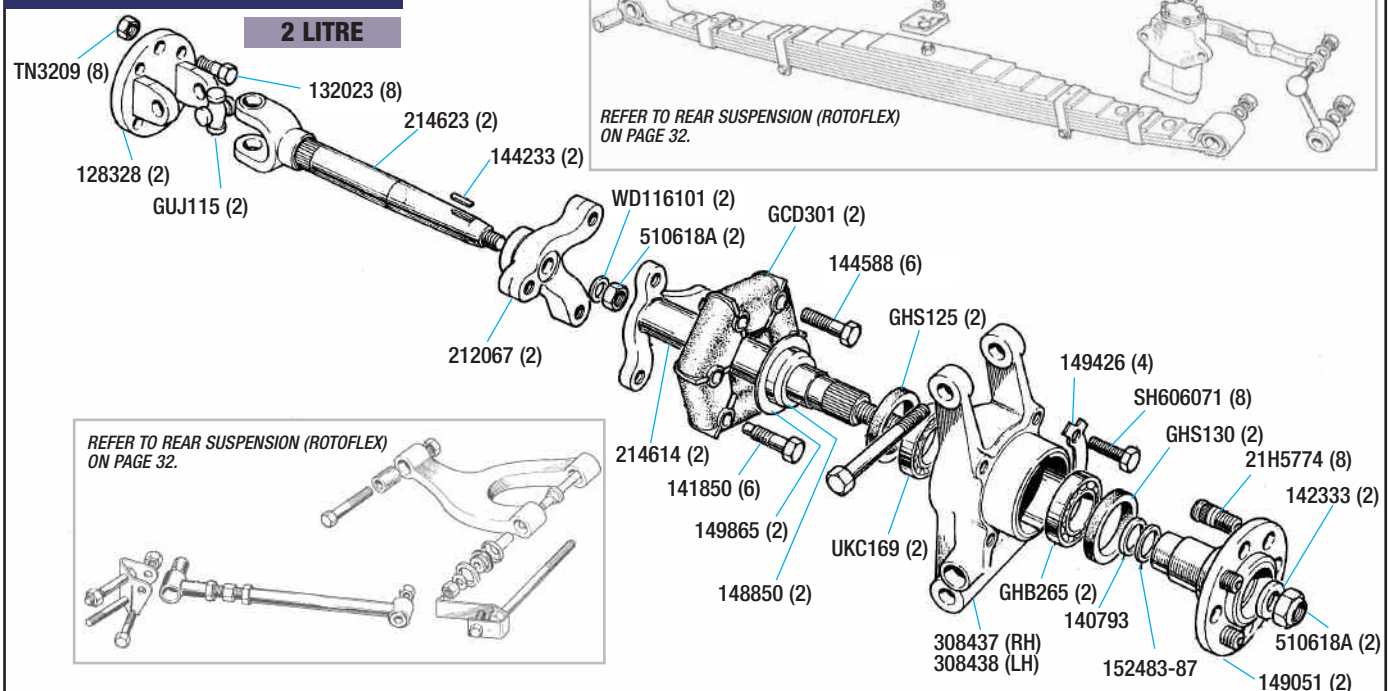
Drive Shaft & Rear Hub Rotoflex

'ROTOFLEX' system fitted to Mk2 2 Litre.
See also 'Rear Suspension - Rotoflex' page 32.

Rear hub puller tool	(1)	RX1542
Drive shaft - Inner	(2)	214623
<i>Includes yoke, but less drive flange.</i>		
Drive flange only	(2)	128328
Bolt (Flange to output shaft)	(8)	132023
Nut (For nut 132023)	(8)	TN3209
Universal joint	(2)	GUJ115
Woodruff key	(2)	104581
<i>Drive shaft to coupling 212067.</i>		
Drive coupling - Inner	(2)	212067
Nut (Flange to inner drive shaft)	(2)	510618A
Washer (For nut 510618A)	(2)	WD116101
Drive shaft - outer	(2)	214614

Spacer*	(2)	148850	Tab washer* (Not Illustrated)	(4)	149426
Stoneguard/oil flinger*	(2)	149865	Bolt - Tab washer* (Not Illustrated)	(8)	SH606071
<i>*Items included with drive shaft 214614.</i>					
Rotoflex coupling;			Bearing - Outer* hub	(2)	GHB265
Original	(2)	GCD301	Hub seal - Outer*	(2)	GHS130
Replacement	(2)	GCD301P	Shim (0.003")	(a/r)	140793
Bolt kit - Rotoflex coupling	(2)	RG1053	Distance piece/spacer;		
<i>Per coupling, includes 3 long and 3 short bolts.</i>					
Bolt (Rotoflex coupling);			0.139"	(a/r)	152483
Long (Coupling to drive flange 212067)	(6)	144588	0.141"	(a/r)	152484
Short (Coupling to outer drive shaft 216614)	(6)	141850	0.143"	(a/r)	152485
Rear hub bearing kit (Per hub)	(2)	GHK1528	0.148"	(a/r)	152486
<i>Hub bearing kit includes items marked*</i>					
Hub seal - Inner*	(2)	GHS125	0.155"	(a/r)	152487
Bearing - Inner* hub	(2)	UKC169	Outer hub assembly	(2)	149051
Vertical link;			<i>Complete with wheel studs.</i>		
Right hand	(1)	308437	Wheel stud only	(8)	21H5774
Left hand	(1)	308438	Nut (Drive shaft retaining)	(2)	510618A
			Washer (For nut 510618A)	(2)	142333

DRIVE SHAFT & REAR HUB ROTOFLEX



Give Your Front Suspension a Lift

with one of our money saving suspension

OVERHAUL KITS

WHETHER YOU REQUIRE SUSPENSION PARTS FOR A MINOR REPAIR, OR YOU ARE PROPOSING A MAJOR FRONT SUSPENSION/HUB OVERHAUL/REBUILD, HERE WE HAVE A SELECTION OF KITS THAT WILL ENABLE YOU TO IDENTIFY AND ORDER THE PRECISE AND CORRECT PARTS YOU NEED WITH THE MINIMUM OF FUSS - AND SAVE MONEY!

UPPER SUSPENSION

Overhaul Kit

with Standard Bushes

RH5080

2 kits required per Vehicle

with Polyurethane Bushes

RH5080POLY

2 kits required per Vehicle

One kit contains the following parts:

1 Ball Joint	GSJ155
1 Nut (for ball joint)	GHF224
1 Washer (for ball joint)	WD600071
2 Bushes (Wishbone)	119451
<i>Standard or Polyurethane depending on which kit is ordered.</i>	
2 Bolts (Wishbone rear)	BH606181
2 Nuts (for bolt BH606181)	GHF223
2 Bolts (Wishbone front)	BH605181
2 Nuts (for bolt BH605181)	GHF222
2 Washer (for bolt BH605181)	GHF332

UPGRADED FRONT ANTI-ROLL BAR

Overhaul Kit

For vehicles fitted with our
conversion kit only.

When fitted with std bar refer to listings.

with Standard Bushes

RL1286

1kit required per Vehicle

with Polyurethane Bushes

RL1286POLY

1 Kit required per Vehicle

This kit contains the following parts:

1 Link (Rh)	125481
1 Link (Lh)	125482
2 Nyloc Nuts (for links)	GHF224
2 Washer (for nuts GHF224)	WA600071
2 Bushes (Mounting bushes)	155310
<i>Standard or Polyurethane depending on which kit is ordered.</i>	
2 Clamps (for bushes 155310)	155308
2 'U' Bolts (for clamps 155308)	155307
4 Nyloc Nuts (for 'U' bolts 155307)	GHF222
4 Washer (for nuts GHF222)	GHF332
2 Studs (Link to bar)	125074
2 Nuts (for studs 125074)	GHF223
2 Washer (for nuts GHF223)	WA600071
2 Washer (for studs 125074)	GHF333

COMPLETE TRUNNION Overhaul Kit RG1192

1 Kit required per Vehicle

This kit contains the following parts:

1 'Right Hand' Overhaul Kit	RG1190
<i>This kit also contains 1 bush kit 514191.</i>	
1 'Left Hand' Overhaul Kit	RG1191
<i>This kit also contains 1 bush kit 514191.</i>	

TRUNNION BUSH KIT

514191

2 kits required per Vehicle

One kit contains the following parts:

1 Spacer	140893
2 Bushes	140892
2 Inner Shields	140894
2 Seals	122534
2 Outer Shields	140895

TRUNNION OVERHAUL KIT

Right Hand
RG1190

1 kit required per Vehicle

This kit contains the following parts:

1 Right Hand Trunnion	140919
1 Bolt	BH607201
1 Nut	GHF224
1 Washer	WD600071
1 Seal (Trunnion top)	122126
1 Bush Kit	514191

TRUNNION OVERHAUL KIT

Left Hand
RG1191

1 kit required per Vehicle

This kit contains the following parts:

1 Left Hand Trunnion	140920
1 Bolt	BH607201
1 Nut	GHF224
1 Washer	WD600071
1 Seal (Trunnion top)	122126
1 Bush Kit	514191

LOWER (INNER) SUSPENSION

Overhaul Kit

with Standard Bushes

RG1193

2 kits required per Vehicle

with Polyurethane Bushes

RG1193POLY

2 kits required per Vehicle

One kit contains the following parts:

2 Bushes (Wishbone)	119451
<i>Standard or Polyurethane depending on which kit is ordered.</i>	
2 Bolts (Wishbone rear)	BH606201
2 Nuts (for bolt BH606201)	GHF223

FRONT WHEEL BEARING KIT

GHK1011

2 kits required per Vehicle

One kit contains the following parts:

1 Inner Bearing	GHB101
1 Outer Bearing	GHB102
1 Hub Seal	GHS146

Don't forget to check these other parts for wear;
'D' Washer (132666), Nut (LN2211), Split Pin (PC20).

SAFETY FIRST

In this section we listed the parts which we believe to be most prone to deterioration. However, it is not a finite list. It is extremely important when working on the suspension that you check & verify the condition of all related parts & components, and replace as a matter of course if suspect.

BUSH & BOLT KITS - Car Set

	BUSH KIT		BOLT KIT
	STANDARD	POLYURETHANE	
1600 & MK1 2 LITRE	RH5361	RH5361POLY	RH5362
MK2 2 LITRE	RV6221	RV6221POLY	RV6222

BUSH KIT - CAR SET

Includes all bushes for suspension (front & rear) and mountings for steering rack, anti-roll bar and differential.

BOLT KIT - CAR SET

Includes all bolts, setscrews, nuts & washers to install Bush Kit.

Front Anti-Roll Bar

ORIGINAL ANTI-ROLL BAR

Anti-roll bar (original) (1) 207093
 See also conversion kit.

Anti-roll bar conversion kit (1) 217033K
 Not illustrated - see photo.

The original anti-roll bar (207093) is not currently available. This conversion kit allows the later type bar to be fitted to early cars and includes; Anti-roll bar (217033), 2 standard bushes (155310), 2 clamps (155308), 2 'U' bolts (155307), nuts and washers.

Overhaul kit (original anti-roll bar);

For original (early) spec' anti-roll bar 207093 only. Per car; Includes 2 links 125481/125482, 2 nuts GHF224, 2 studs 125074, 2 nuts GHF223, 2 bushes 123998, 2 clamps 123502, 2 'U' bolts 123694, 4 nuts GHF222 and all washers.

with standard bushes (1) RH5064
 with poly bushes (1) RH5064P

Bush - roll bar mounting (For 207093);

Standard (2) 123998
 Poly (2) 123998POLY

Clamp (Bush retainer) (For 207093) (2) 123502

'U' bolt (For 207093) (2) 123694

Nut (For 'U' bolt 123694) (4) GHF222

Washer (For 'U' bolt 123694) (4) GHF332

LATER TYPE ANTI-ROLL BAR (UPRATED)

Anti-roll bar (1) 217033

Overhaul kit (anti-roll bar);

Per car; Includes 2 links 125481/125482, 2 nuts GHF224, 2 studs 125074, 2 nuts GHF223, 2 bushes 155310, 2 clamps 155308, 2 'U' bolts 155307, 4 nuts GHF222 and all washers.

with standard bushes (1) RL1286

with poly bushes (1) RL1286P

Bush - Roll Bar Mounting (For 217033);

Standard (2) 155310
 Poly (2) 155310POLY

Clamp (Bush retainer) (2) 155308

'U' bolt (2) 155307

Nut (For 'U' bolt 155307) (4) GHF222

Washer (For 'U' bolt 155307) (4) GHF332

All Models

Link - Anti-roll bar;
 Right hand (1) 125481
 Left hand (1) 125482

Nut (Link mounting to suspension) (2) GHF224

Washer (For nut GHF224) (2) WA600071

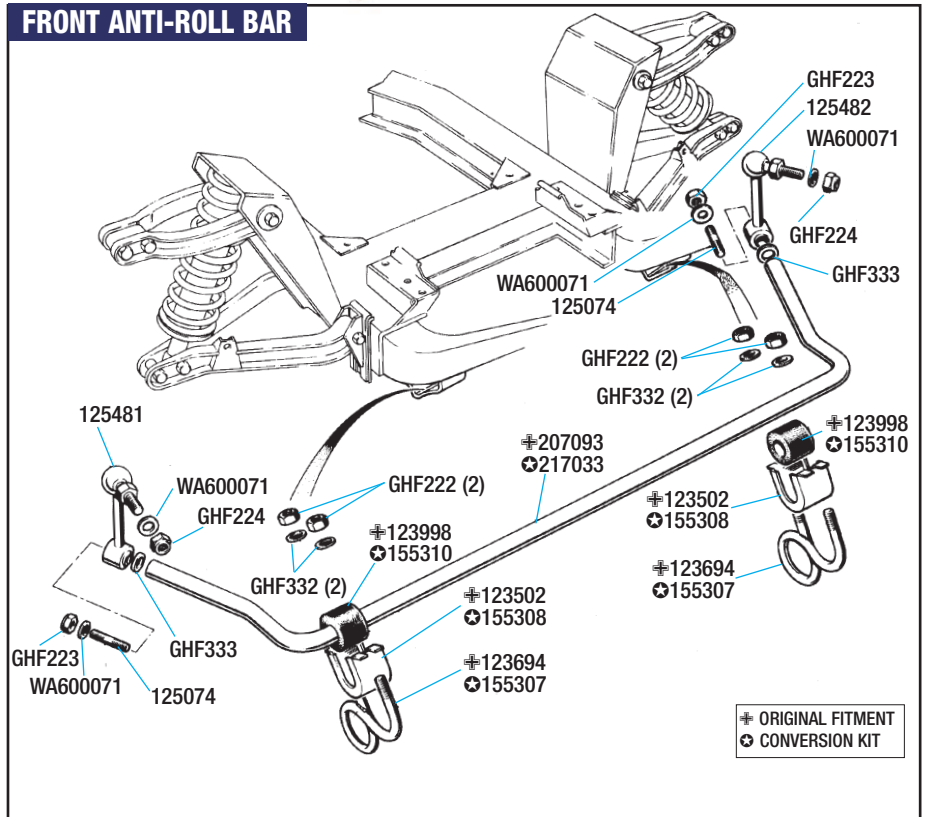
Stud (Link to roll bar) (2) 125074

Washer (For stud 125074) (2) GHF333

Washer (For stud 125074) (2) WA600071

Nut (For stud 125074) (2) GHF223

OUR ANTI-ROLL BAR CONVERSION KIT (217033K) ALLOWS THE LATER TYPE ROLL BAR TO BE FITTED TO ALL MODELS



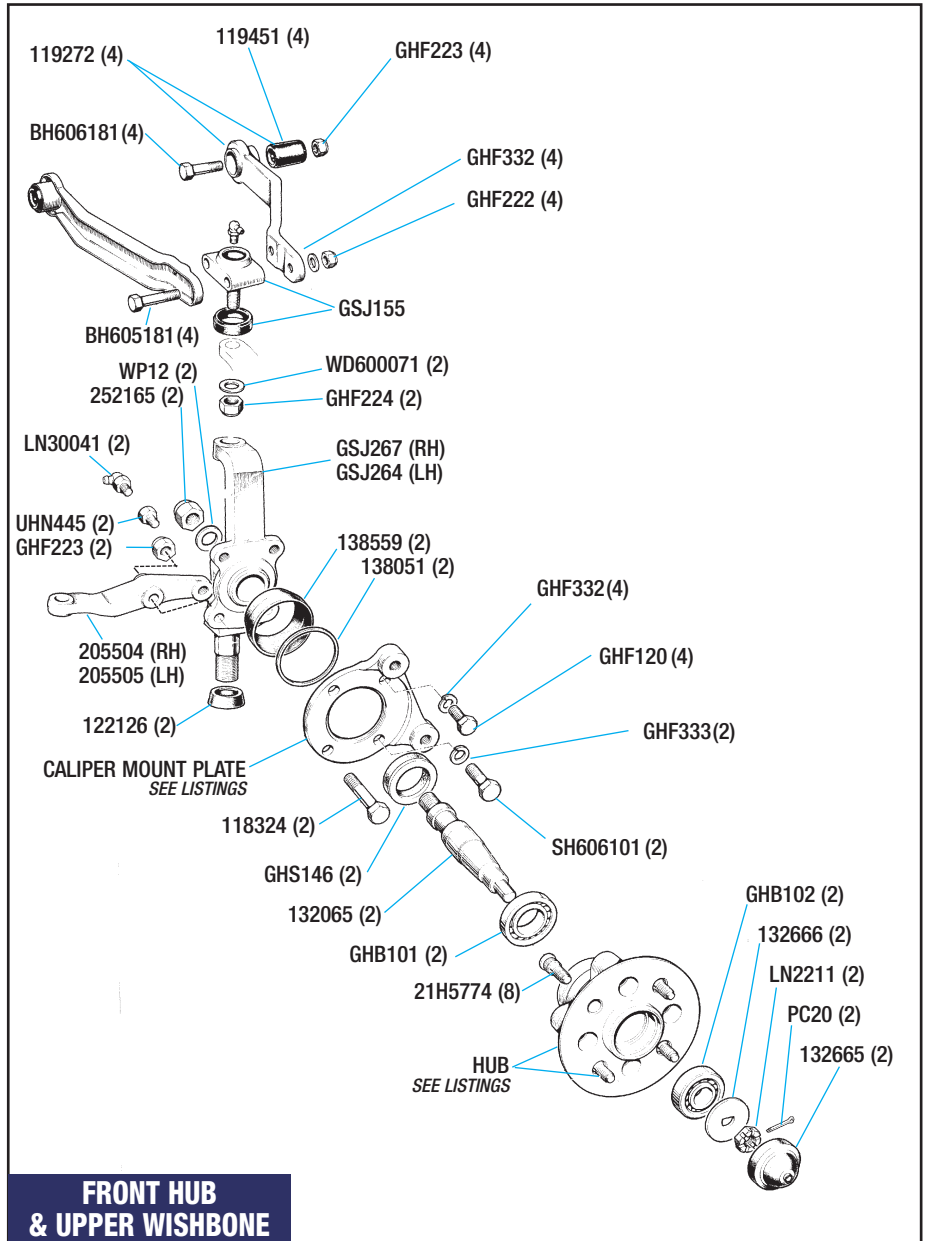
DESCRIPTION	QTY REQ.	PART No.	DESCRIPTION	QTY REQ.	PART No.	DESCRIPTION	QTY REQ.	PART No.
-------------	----------	----------	-------------	----------	----------	-------------	----------	----------

Front Hub & Upper Wishbones

Top Wishbone & Bush	(4)	119272
Bush only;		
Standard	(4)	119451
Poly	(4)	119451P
Upper Suspension Overhaul Kit;		
with Standard Bushes	(2)	RH5080
with Poly Bushes	(2)	RH5080P
<i>Per side & includes; 1 ball joint GSJ155, 2 bolts BH605181, 2 nuts GHF222, 2 washers GHF332, 1 nut GHF224, 1 washer WD600071, 2 bushes 119451, 2 bolts BH606181 & 2 nuts GHF223.</i>		
Bolt - Wishbone Inner	(4)	BH606181
Nut - Nyloc (For bolt BH606181)	(4)	GHF223
Ball Joint	(2)	GSJ155
Nut - Nyloc (Ball joint to link)	(2)	GHF224
Washer - Locking (For nut GHF224)	(2)	WD600071
Bolt (Ball joint to wishbone)	(4)	BH605181
Nut (For bolt BH605181)	(4)	GHF222
Washer (For bolt BH605181)	(4)	GHF332
Vertical Link;		
Right hand	(1)	GSJ267
Left hand	(1)	GSJ264
Grease Nipple (Vertical link)	(2)	LN30041
Grease Plug (Alternative to LN30041)	(2)	UHN445
Seal (For lower trunnion)	(2)	122126
<i>See; Front Spring/Damper & Lower Arm for Trunnions & fittings.</i>		
Steering Arm;		
Right hand	(1)	205504
Left hand	(1)	205505
Water Shield	(2)	138559
Seal (Caliper mounting plate to link)	(2)	138051
Caliper Mounting Plate;		
1600 (All Models)		
Right hand	(1)	210892
Left hand	(1)	210893
2 Litre (All Models)		
Right hand	(1)	145106
Left hand	(1)	145107
Bolt - Front Lower*	(2)	118324
Nut - Nyloc (For bolt 118324)	(2)	GHF223
Bolt - Rear Lower*	(2)	SH606101
Washer - Spring (For bolt SH606101)	(2)	GHF333
<i>*Caliper mounting plate (lower) & tie rod to vertical link.</i>		
Bolt - Upper**	(4)	GHF120
Washer - Spring** (For bolt GHF120)	(4)	GHF332
<i>**Caliper mounting plate (upper) to vertical link.</i>		
Stub Axle	(2)	132065
Nut (Stub axle to vertical link)	(2)	252165
Washer (For nut 252165)	(2)	WP12
Front Hub Bearing Kit	(2)	GHK1011
<i>Per side & includes; 1 of each bearing GHB101 & GHB102 & 1 seal GHS146.</i>		
Hub Seal	(2)	GHS146
Hub Bearing - Inner	(2)	GHB101
Hub Assembly;		
1600 (All Models)		
Standard	(2)	132881
2 Litre (All Models)		
Standard	(2)	145007
Alloy	(2)	145007A
Wheel Stud only	(4)	21H5774
Hub bearing - Outer	(2)	GHB102
'D' Washer	(2)	132666
Nut - Castle Headed	(2)	LN2211
Split Pin	(2)	PC20
Grease Cap/Cover	(2)	132665



NOT ONLY DO OUR KITS CONTAIN ALL THE PARTS YOU NEED, THEY ALSO COST LESS.
PHOTO SHOWS 1 UPPER SUSPENSION OVERHAUL KIT RH5080, ALSO AVAILABLE WITH POLYURETHANE BUSHES. KITS ARE PER SIDE.



NOT A BAD IDEA TO REPLACE THE HUB BEARINGS WHEN YOU REPAIR/ OVERHAUL YOUR SUSPENSION.
PHOTO SHOWS 2 (GHK1011) HUB BEARING KITS.

POLYURETHANE BUSHES

Polyurethane bushes out-perform standard rubber bushes and last longer too!



IF YOU REALLY WANT TO IMPROVE THE HANDLING, THEN POLYURETHANE BUSHES ARE A GOOD START.

REFER TO LISTINGS THROUGHOUT THIS CATALOGUE FOR FULL AVAILABILITY.

Front Spring - Shock Absorber & Lower Wishbone

Front Shock Absorber (Inc standard bushes);

Standard (Supplied in singles) (2) **GSA366**

Spax Adjustable (Supplied in pairs);

Ride Adjustable (1pr) **GSA366S**

Ride/Height Adjustable (1pr) **GSA366SA**

Koni Adjustable (1pr) **GSA366K**

Ride adjustable.

Gaz Adjustable

Ride Adjustable (1pr) **GSA366G**

Ride/Height Adjustable (1pr) **GSA366GA**

Bush only (Shock absorber lower);

Standard Material (2) **119450**

Polyurethane Material (2) **119450POLY**

Bolt (Shock absorber lower to wishbone) (2) **BH607201**

Nut (for bolt BH607201) (2) **GHF224**

Washer (for bolt BH607201) (2) **WD600071**

Front Road Spring;

Standard (2) **209009**

Up rated (+20%, lowered 1") (2) **209009UR**

Spring Compressor Tool (1) **RX1328A**

See photo.

Bush (Shock absorber - upper);

Standard Material (4) **517985**

Polyurethane Material (4) **517985POLY**

Retainer - Bush (4) **147631**

Spring Seat/Top Plate (2) **122137**

Nut (Spring seat retaining) (6) **GHF221**

Washer (for nut GHF221) (6) **GHF300**

Lower Wishbone & Standard Bush;

Right hand (1) **206685**

Left hand (1) **206686**

Lower Inner Suspension Overhaul Kit;

Not illustrated. Kit is per side & includes;

2 bushes (119451), 2 bolts (BH606201) & 2 nuts (GHF223).

Standard Material (2) **RG1193**

Polyurethane Material (2) **RG1193POLY**

Bush Only (Inner - Lower suspension arm);

Standard Material (4) **119451**

Polyurethane Material (4) **119451POLY**

Strut (Wishbone bracing) (2) **125733**

Bolt (Rear mounting bracket/wishbone) (4) **BH606201**

Nut - Nyloc (for bolt BH606201) (4) **GHF223**

Mounting Bracket (Wishbone);

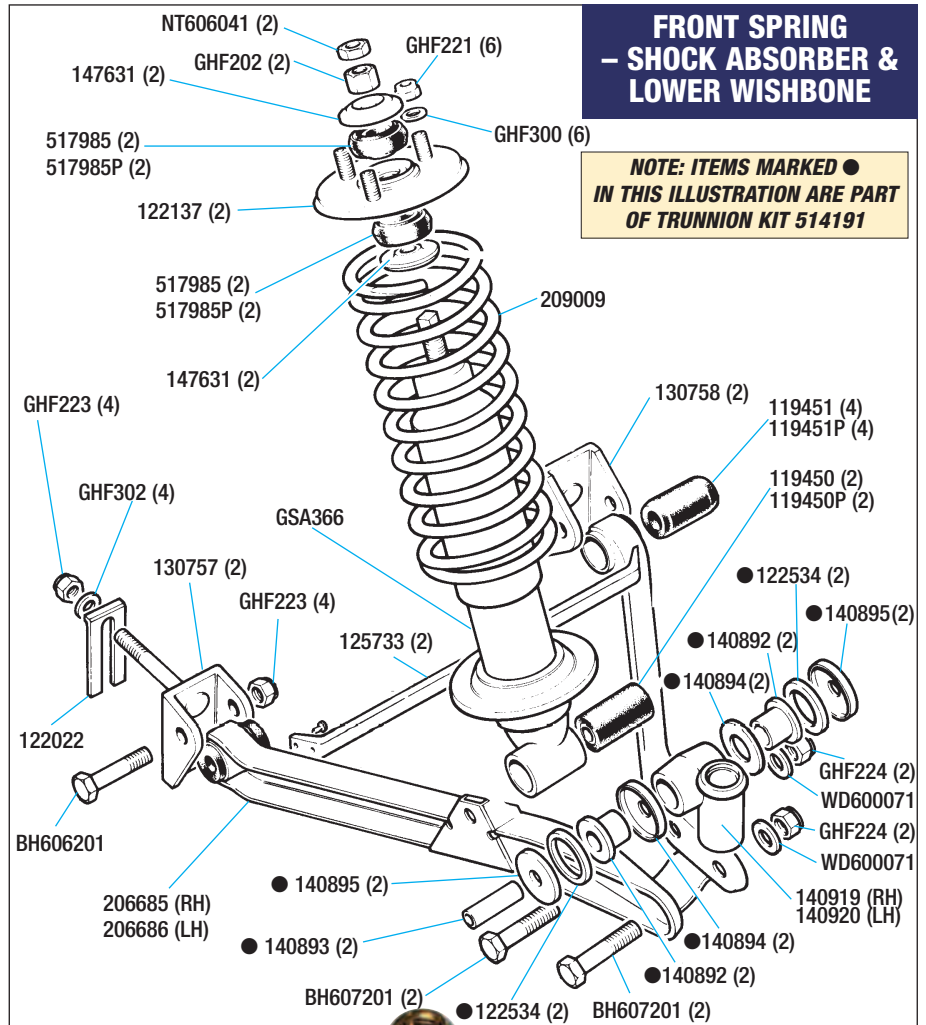
Front (2) **130757**

Rear (2) **130758**

Shim (Adjusting) (Use as required) (a/r) **122022**

Nut (to mounting bracket) (4) **GHF223**

Washer (for nut GHF223) (4) **GHF302**



FRONT SPRING - SHOCK ABSORBER & LOWER WISHBONE

NOTE: ITEMS MARKED ● IN THIS ILLUSTRATION ARE PART OF TRUNNION KIT 514191



TRUNNION OVERHAUL KIT (PER CAR) - RG1192

Trunnion Bush Kit (Per side); (2) **514191**

Includes items marked ● in illustration:

1 spacer (140893), 2 bushes (140892), 2 inner shields (140894), 2 seals (122534), & 2 outer shields (140895).

Trunnion Overhaul Kit (Per side)

Not illustrated. Includes either 1 Rh or 1 Lh trunnion,

Plus: 1 bolt (BH607201), 1 nut (GHF224), 1 washer (WD600071), 1 seal (122126), & 1 bush kit (514191).

Right hand

(1) **RG1190**

Left hand

(1) **RG1191**

Trunnion Overhaul Kit (Per car) (1) **RG1192**

Not illustrated. See Photo.

Kit is per car & includes 1 of each of the following kits; RG1190 (Rh) & RG1191 (Lh).

Lower Trunnion;

Right hand

(1) **140919**

Left hand

(1) **140920**

Seal (Trunnion to vertical link)

(2) **122126**

Not illustrated. See 'Front Hub & Upper Wishbone'.

Bolt (Trunnion to wishbone)

(2) **BH607201**

Nut (for bolt BH607201)

(2) **GHF224**

Washer (for nut GHF224)

(2) **WD600071**

Tube/Spacer* (for trunnion)

(2) **140893**

Shield - Outer* (for trunnion)

(4) **140895**

Seal* (for trunnion)

(4) **122534**

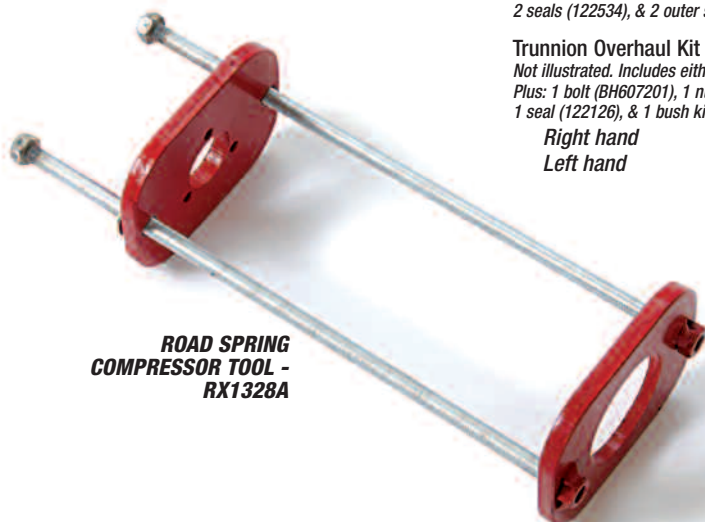
Bearing (Nylon)* (for trunnion)

(4) **140892**

Shield - Inner* (for trunnion)

(4) **140894**

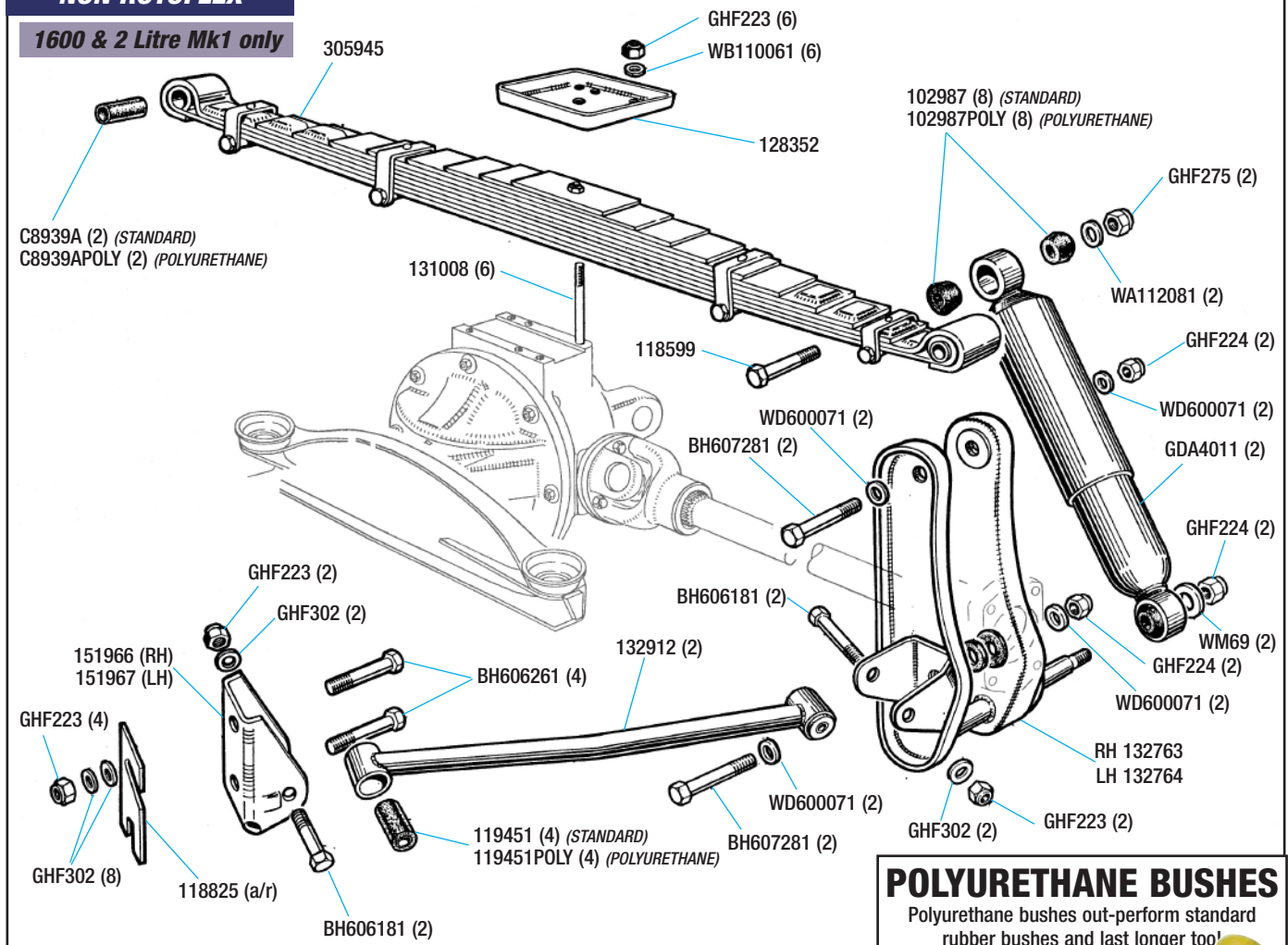
*Items marked are part of trunnion bush kit 514191.



ROAD SPRING COMPRESSOR TOOL - RX1328A

REAR SUSPENSION NON ROTOFLEX

1600 & 2 Litre Mk1 only



Rear Suspension Non Rotoflex

1600 & 2 Litre MK1

ROAD SPRING & FITTINGS

Rear Spring (Complete with bushes); 1600 & Mk1 2 Litre Saloon & Convertible.	(1)	305945
Lowering block - see panel		
Bush only (Rear spring)		
Standard	(2)	C8939A
Poly	(2)	C8939AP
Bolt - Rear spring locating Located through top of vertical link.	(2)	BH607281
Nut (For bolt BH607281)	(2)	GHF224
Washer (For bolt BH607281)	(4)	WD600071
Retaining plate - Spring	(1)	128352
Stud (Leaf spring to diff case)	(6)	131008
Nut (For stud 131008)	(6)	GHF223
Washer (For stud 131008)	(6)	WB110061

SHOCK ABSORBER & FITTINGS

See also; 'Suspension-Uprated Packages'.

Rear shock absorber (inc. bushes); Standard (Supplied in singles)	(2)	GDA4011
Spax adjustable (Supplied in pairs)	(1)	GDA4011S
Koni adjustable (Supplied in pairs)	(1)	GDA4011K
GAZ adjustable (Supplied in pairs)	(1)	GDA4011G
Bushes only (Upper & lower); Standard	(8)	102987
Poly	(8)	102987P
Bolt (Shock absorber mounting - Upper)	(2)	118599
Nut (For bolt 118599)	(2)	GHF275
Washer (For bolt 118599)	(2)	WA112081
Nut (Shock absorber mounting - Lower)	(2)	GHF224
Washer (For nut GHF224)	(2)	WM69

VERTICAL LINK - RADIUS ARM & PIVOT BRACKET

Rear vertical link; Right hand	(1)	132763
Left hand	(1)	132764
Bolt (Vertical link to rear inner hub)	(2)	BH607281
Nut (For bolt BH607281)	(2)	GHF224
Washer (For bolt BH607281)	(4)	WD600071
Radius arm	(2)	132912
Bush - Radius arm; Standard	(4)	119451
Poly	(4)	119451P
Bolt (Radius arm to vertical link)	(2)	BH606181
Nut (For bolt BH606181)	(2)	GHF223
Washer (For bolt BH606181)	(2)	GHF302
Bolt (Radius arm to bracket)	(2)	BH606181
Nut (For bolt BH606181)	(2)	GHF223
Washer (For bolt BH606181)	(2)	GHF302
Rear pivot bracket; Right hand	(1)	151966
Left hand	(1)	151967
Bolt (bracket to outrigger)	(4)	BH606261
Shim - Adjusting	(a/r)	118825
Washer - flat	(8)	GHF302
Nut - Nyloc	(4)	GHF223

POLYURETHANE BUSHES

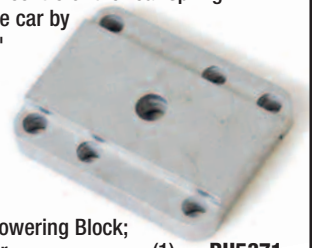
Polyurethane bushes out-perform standard rubber bushes and last longer too!



IF YOU REALLY WANT TO IMPROVE THE HANDLING, THEN POLYURETHANE BUSHES ARE A GOOD START. REFER TO LISTINGS THROUGHOUT THIS CATALOGUE FOR FULL AVAILABILITY.

REAR SUSPENSION LOWERING BLOCK

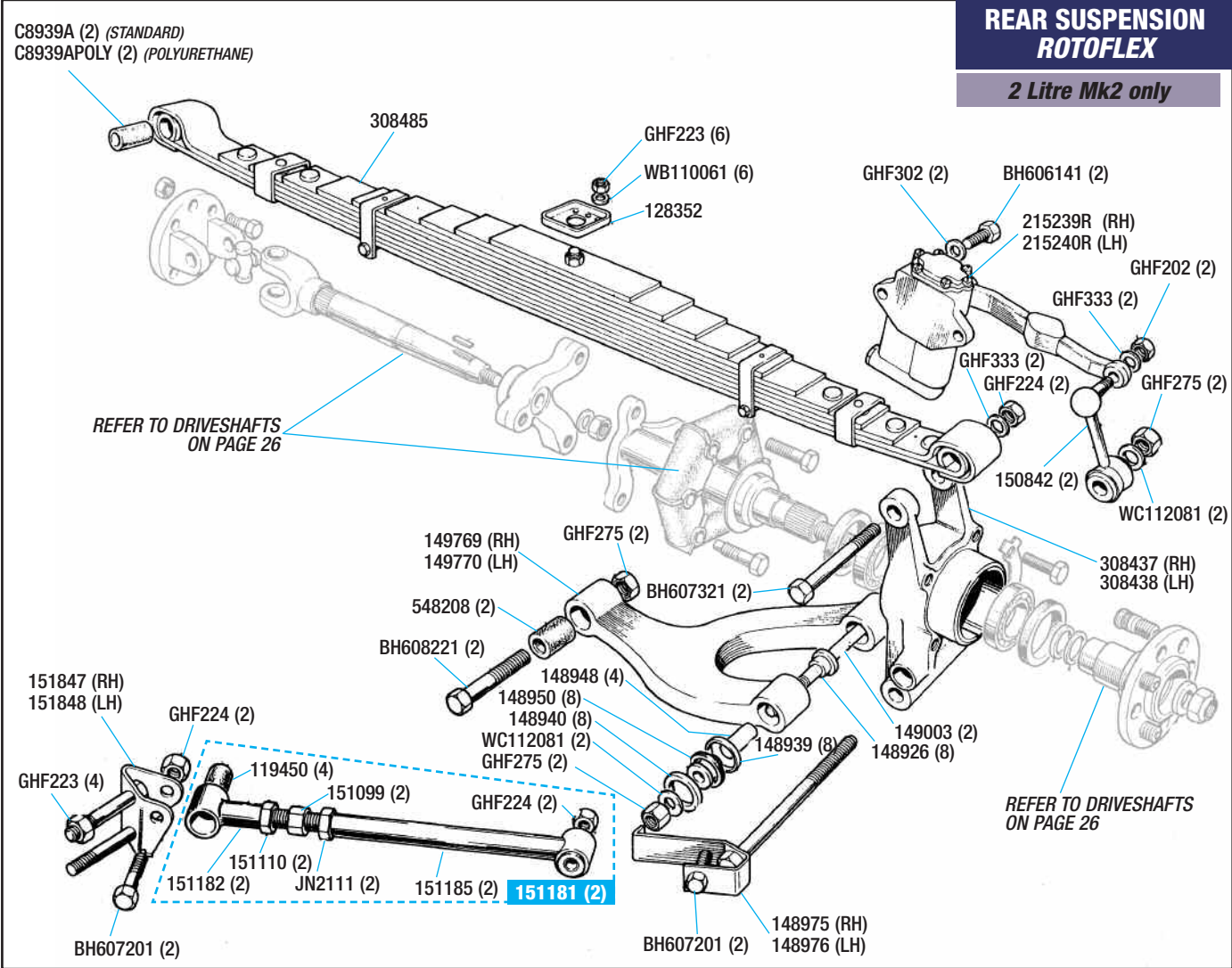
Do you want to lower the rear suspension slightly to improve handling or match the ride height of the front suspension if you have fitted adjustable ride height front shock absorbers? The simple solution is to install a stepped (alloy) block that sits on top of the differential which in turn raises the centre of the rear spring. This lowers the car by 1/2", 3/4" or 1" depending on your requirements. Suitable for any Vitesse.



Rear Spring Lowering Block; 1/2" Lower Ideal for all cars.	(1)	RH5371
3/4" Lower Use with lowered front suspension.	(1)	RH5372
1" Lower For track or special applications.	(1)	RH5373

**REAR SUSPENSION
ROTOFLEX**

2 Litre Mk2 only



**Rear Suspension
Rotoflex**

See also: 'Driveshafts - Rotoflex' page 26.

2 Litre Mk2 Models

ROAD SPRING & FITTINGS

- Rear spring (Complete with bushes) (1) **308485**
- Bush only (Rear spring);
 - Standard (2) **C8939A**
 - Poly (2) **C8939AP**
- Bolt - Rear spring locating
Located through top of vertical link. (2) **BH607321**
- Nut - Nyloc (For bolt BH607321) (2) **GHF224**
- Washer - spring (For bolt BH607321) (2) **GHF333**
- Retaining plate - Spring
6 stud mounting. (1) **128352**
- Stud - Leaf spring to diff case (6) **131008**
- Nut (For leaf spring studs to diff) (6) **GHF223**
- Washer (For leaf spring studs to diff) (6) **WB110061**

SHOCK ABSORBER & FITTINGS

See also: 'Suspension-Updated Packages' page 33, & 'Rear Shock Absorber Conversion Brackets' this page.

- Lever Arm Damper;
Supplied as exchange unit.
 - Right Hand (1) **215239R**
 - Left Hand (1) **215240R**
- Oil - Damper Lever (0.5 litre) (a/r) **AAA149M**
- Bump stop (Not illustrated) (2) **136758**
- Link Assembly (2) **150842**
- Set Screw (Damper to brackets) (2) **BH606141**
- Washer - Plain (For BH606141) (2) **GHF302**
- Nut - Nyloc (Link to vertical link) (2) **GHF275**
- Washer - Plain (For GHF275) (2) **WC112081**
- Nut - Nyloc (Lever arm to link) (2) **GHF202**
- Washer - Spring (2) **GHF333**

VERTICAL LINK & LOWER WISHBONE

- Rear vertical link;
 - Right hand (1) **308437**
 - Left hand (1) **308438**
- Lower wishbone;
 - Right hand (1) **149769**
 - Left hand (1) **149770**
- Bush (Inner mounting)
 - Standard (2) **548208**
 - Poly (2) **548208P**
- Bolt (Inner mounting) (2) **BH608221**
- Nut (For bolt BH608221) (2) **GHF275**
- Overhaul kit - Inner wishbone (Per side);
Not illustrated. Includes: 1 bolt 149003, 4 bushes 148926, 2 spacer/tube 148948, 4 water shield 148939, 4 dirt seal 148950, 4 water shield 148940, 1 washer WC112081, 1 bush 548208, 1 bolt BH608221 & 1 nut GHF275.
 - Standard bush (2) **RG1113**
 - Poly bush (2) **RG1113P**
- Bolt - Wishbone to vertical link (2) **149003**
- Bush (8) **148926**
- Tube/spacer (4) **148948**
- Water shield (8) **148939**
- Seal (Dirt) (8) **148950**
- Water shield (8) **148940**
- Washer (Plain) (2) **WC112081**
- Nut - Nyloc (2) **GHF275**

RADIUS ARM & PIVOT BRACKET

- Bracket / Bolt;
To radius arm & lower shock absorber mounting, locates through vertical link.
 - Right hand (1) **148975**
 - Left hand (1) **148976**
- Bolt (Bracket to radius arm) (2) **BH607201**
- Nut (For bolt BH607201) (2) **GHF224**
- Radius arm assembly - Adjustable
Supplied in self assembly kit form per side. Includes parts listed here and in drawing. Marked* Items are available separately. (2) **151181**
- Radius eye - Rear* (2) **151185**
- Adjuster - Radius arm* (2) **151099**
- Supplied complete with locking nuts.
 - Lock nut -
 - Right hand thread* (2) **JN2111**
 - Left hand thread* (2) **151110**
 - Radius eye - Front* (2) **151182**
 - Bush (Radius eyes)*
 - Standard (4) **119450**
 - Poly (4) **119450P**
- Pivot bracket;
 - Right Hand (1) **151847**
 - Left Hand (1) **151848**
- Bolt (Pivot bracket to radius arm) (2) **BH607201**
- Nut (For bolt BH607201) (2) **GHF224**
- Nut (Pivot bracket to body) (4) **GHF223**

**REAR SHOCK ABSORBER CONVERSION BRACKETS
Rotoflex**

The bracket kit converts the Mk2 2 litre from the lever arm dampers and links to conventional, telescopic rear shock absorbers. The top shock absorber mountings are located onto the brackets which are in turn mounted directly onto the chassis. This offers a more positive location and improves handling. The brackets are designed to be used with shock absorber GDA4011 which is available in either standard or a variety of updated specifications.



- Bracket kit only (1) **RG1305**
 - Bracket kit & rear shocks (pr) (1) **RG1306**
- Available with standard, Spax, Koni or Gaz rear shock absorbers.

UPDATED SHOCK ABSORBER PACKAGES



Spax Ride Adjustable Suspension Kit;
Packs include 4 adjustable shock absorbers with standard bushes.

1600 & Mk1 2 Litre (Non Rotoflex) (1) **RL1358**
Mk2 2 Litre (Rotoflex) (1) **RV6220**
Rear shock absorber conversion brackets also included.



Spax Ride/Height Adjustable Suspension Kit;
Packs include 2 front ride/height adjustable shock absorbers and 2 rear adjustable shock absorbers, all with standard bushes.

1600 & Mk1 2 Litre (Non Rotoflex) (1) **RL1358SA**
Mk2 2 Litre (Rotoflex) (1) **RV6220SA**
Rear shock absorber conversion brackets also included.



Koni Ride adjustable suspension kit;
Packs include 4 adjustable shock absorbers with standard bushes.

1600 & Mk1 2 Litre (Non Rotoflex) (1) **RL1359**
Mk2 2 Litre (Rotoflex) (1) **RV6220K**
Rear shock absorber conversion brackets also included.



Gaz Ride adjustable suspension kit;
Packs include 4 adjustable shock absorbers with standard bushes.

1600 & Mk1 2 Litre (Non Rotoflex) (1) **RL1358G**
Mk2 2 Litre (Rotoflex) (1) **RV6220G**

Gaz Ride/height adjustable suspension kit;
Packs include 2 front ride/height adjustable shock absorbers & 2 rear adjustable shock absorbers, all with standard bushes.
1600 & Mk1 2 Litre (Non Rotoflex) (1) **RL1358SAG**
Mk2 2 Litre (Rotoflex) (1) **RV6220SAG**
Rear shock absorber conversion brackets also included.

UPDATED SHOCK ABSORBER & FRONT SPRING PACKAGES



Spax Ride Adjustable Suspension Kit;
Packs include 2 uprated (20%), lowered (1") front springs, 4 adjustable shock absorbers with standard bushes.

1600 & Mk1 2 Litre (Non Rotoflex) (1) **RV6201S**
Mk2 2 Litre (Rotoflex) (1) **RV6200S**
Rear shock absorber conversion brackets also included.



Spax Ride/Height Adjustable Suspension Kit;
Packs include 2 uprated (20%), lowered (1") front springs, 2 front ride/height adjustable shock absorbers and 2 rear adjustable shock absorbers, all with standard bushes.

1600 & Mk1 2 Litre (Non Rotoflex) (1) **RV6201SA**
Mk2 2 Litre (Rotoflex) (1) **RV6200SA**
Rear shock absorber conversion brackets also included.



Koni Ride Adjustable Suspension Kit;
Packs include 2 uprated (20%), lowered (1") front springs, 4 adjustable shock absorbers with standard bushes.

1600 & Mk1 2 Litre (Non Rotoflex) (1) **RV6201K**
Mk2 2 Litre (Rotoflex) (1) **RV6200K**
Rear shock absorber conversion brackets also included.



Gaz Ride Adjustable Suspension Kit;
Packs include 2 uprated (20%), lowered (1") front springs, 4 adjustable shock absorbers with standard bushes.

1600 & Mk1 2 Litre (Non Rotoflex) (1) **RV6201G**
Mk2 2 Litre (Rotoflex) (1) **RV6200G**

Gaz Ride/Height Adjustable Suspension Kit;
Packs include 2 uprated (20%), lowered (1") front springs, 2 front ride/height adjustable shock absorbers and 2 rear adjustable shock absorbers, all with standard bushes.

1600 & Mk1 2 Litre (Non Rotoflex) (1) **RV6201SAG**
Mk2 2 Litre (Rotoflex) (1) **RV6200SAG**
Rear shock absorber conversion brackets also included.

TECH SPEC

SPAX ADJUSTABLE (ON CAR)

28 point adjustment, dyno tested. Handbuilt, matching units. Designed and developed by Motorsports Engineers. 2 year warranty.

KONI ADJUSTABLE (OFF CAR)

Specifically designed for each application. Individually tested until optimum in handling and comfort is reached. Will usually outlive your car.

GAZ SHOCKS ADJUSTABLE (ON CAR)

36 point fine tune settings. Zinc plated bodies. Double lip seal + O' ring on piston rod. Fully rebuildable. Top quality. Each unit tested and supplied with individual dyno read-out. 2 year warranty. British made.

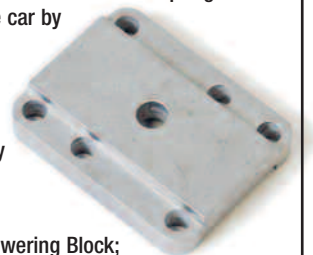
REAR SUSPENSION LOWERING BLOCK

Do you want to lower the rear suspension slightly to improve handling or match the ride height of the front suspension if you have fitted adjustable ride height front shock absorbers?

The simple solution is to install a stepped (alloy) block that sits on top of the differential which in turn raises the centre of the rear spring.

This lowers the car by 1/2", 3/4" or 1"

depending on your requirements. Suitable for any Vitesse.



Rear Spring Lowering Block;

1/2" Lower	(1)	RH5371
<i>Ideal for all cars.</i>		
3/4" Lower	(1)	RH5372
<i>Use with lowered front suspension.</i>		
1" Lower	(1)	RH5373
<i>For track or special applications.</i>		

REAR SHOCK ABSORBER CONVERSION BRACKETS Rotoflex

The bracket kit converts the Mk2 2 litre from the lever arm dampers and links to conventional, telescopic rear shock absorbers.

The top shock absorber mountings are located onto the brackets which are in turn mounted directly onto the chassis. This offers a more positive location and improves handling. The brackets are designed to be used with shock absorber GDA4011 which is available in either standard or a variety of uprated specifications. (They are also included in the packages listed on this page).



Bracket kit only	(1)	RG1305
Bracket kit & rear shocks (pr)	(1)	RG1306

Available with standard, Spax, Koni or Gaz rear shock absorbers.

MINILITE REPLICA ALLOY ROAD WHEELS



MINILITE REPLICA WHEELS

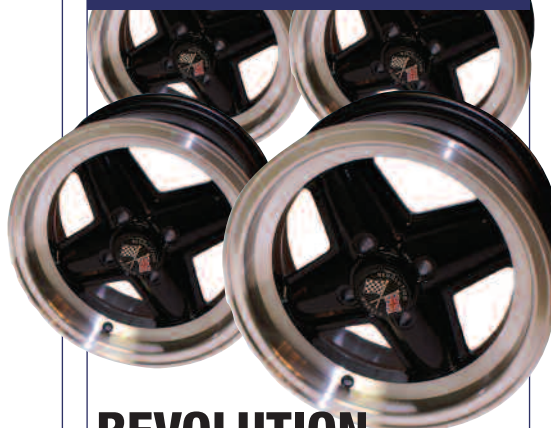
These superb (lightweight) aluminium replicas of the original magnesium Minilite (used for rallying), are now available - in silver only - at an extremely attractive price, and they make a very interesting alternative to steel and wire wheels.

These bolt-on wheels are a direct replacement when used with the corresponding wheel nuts.

Minilite 'Replica' Wheel Kit;
Includes 4 wheels, 4 centres and 16 wheel nuts.

13" x 5J	(1)	RL1473
13" x 5.5J	(1)	RL1473/5.5
Wheel Only;		
13" x 5J	(4)	RL1470
13" x 5.5J	(4)	RL1470/5.5
Wheel Centre only;		
Plastic	(4)	RL1472P
Alloy	(4)	RL1472A
Wheel Centre Triumph		
Badge only (stick on)	(4)	RL1472BADGE
Wheel Nut only	(16)	RL1471
Autoglym 'Clean Wheels' (500ml)	(1)	RX1322

REVOLUTION ALLOY ROAD WHEELS



REVOLUTION ALLOY WHEELS

Set your Vitesse different from the crowd with Revolution Alloy Wheels.

Beautifully finished with Alloy rims and black spokes.

Fit as direct replacements to standard wheels using special wheel nuts.

Revolution Wheel Kit;
Includes 4 wheels, 4 centres and 16 wheel nuts.

13" x 5.5J	(1)	RL1643
Wheel only (13" x 5.5J) (inc. centre)	(4)	RL1641
Wheel Centre only	(4)	RL1644
Wheel Nut only	(16)	RL1642
Autoglym 'Clean Wheels' (500ml)	(1)	RX1322

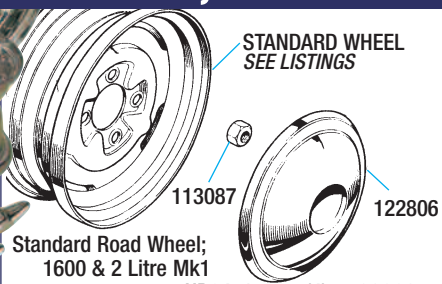
WIRE WHEELS

WIRE WHEELS

Look at our prices, our wheel sets include 5 wheels! If you prefer your Vitesse to look that little bit different, why not consider fitting a set of our wire wheels, they are available in chrome, or painted silver.



STEEL ROAD WHEEL & TRIMS, JACK ETC



Standard Road Wheel; 1600 & 2 Litre Mk1 up to comm. HB24515 from comm. HB24516	(4)	303804
	(4)	307401
2 Litre Mk2	(4)	307405
Wheel Nut	(16)	113087
Hub Cap	(4)	122806
Badge (Hub cap)	(4)	113256
Wheel Trim (with slots)	(4)	307583
Foot Pump	(1)	GAT347
Wheel Nut Brace	(1)	21A2818
Scissor Jack & Handle	(1)	311346
Tool Bag (for jack)	(1)	725793
Tool Pouch	(1)	RH5214

MUDFLAPS



Mudflaps (Pair)		
Front (inc. fittings)	(1)	RH5193F
Rear (inc. fittings)	(1)	RH5193R

IMPORTANT INFORMATION

Wire Wheels

When fitting Wire Wheels YOU MUST check the length of the wheel studs (and shorten if necessary) to ensure they do not foul the wheels.

Please read the full fitting instructions supplied.

Wire Wheel Conversion Kit - 13" x 4.5J;

Kits inc; 5 wheels, 4 splines, 4 two eared centre knock caps*, 16 retaining nuts, 1 cleaning brush, 1 hammer and instructions

Chrome Wheels (1) **RL1221/4.5**

Painted Wheels (1) **RL1201**

*Wheel kits available with alternative octagonal centre lock nuts.

NOTE: 'Eared' centre caps not allowed in some countries. Please state preference when ordering.

Wire Wheel Conversion Kit - 13" x 5.5J;

This kit gives you the option to fit wider section tyres that 'fill the arches'. Care should be taken in selecting the correct tyre width to avoid any clearance problems.

Kit includes; 5 wheels, 4 splines, 4 two eared centre knock caps*, 16 retaining nuts, 1 cleaning brush, 1 hammer and instructions

Chrome Wheels (1) **RL1221/5.5**

NOTE: 'Eared' centre caps not allowed in some countries.

*Kit available with alternative octagonal centre lock nuts. Please state preference when ordering.

OPTIONAL OCTAGONAL CENTRE LOCK NUTS



REPLACEMENT WIRE WHEEL COMPONENTS

Wire Wheel only;		
13" x 4.5J -		
Chrome	(5)	XW466C
Painted	(5)	XW466S
13" x 5.5J - Chrome	(5)	XW5729C

Hub Adaptor/Spline (Bolt-on);		
Right hand	(2)	RSSPR
Left hand	(2)	RSSPL
Retainer Nuts (Hub adaptor to spline)	(16)	RSRN38

'Eared' Centre Knock Cap;
NOTE: 'Eared' centre caps not allowed in some countries.

2 Eared		
Right hand	(2)	KC4282R
Left hand	(2)	KC4282L
3 Eared		
Right hand	(2)	KC4282R-3
Left hand	(2)	KC4282L-3

'Octagonal' Centre Lock Nut;
Alternative to 'Eared' centre caps.

Right hand	(2)	KC4280R
Left hand	(2)	KC4280L
Cleaning Brush	(1)	KACB101
Copper & Hide Hammer	(1)	KACH100
Spanner (for 'Octagonal' centre nuts)	(1)	KAS42

Front Brakes

1600 Models

Brake Kits (Front); <i>Disc & Pad set (2 discs & pads)</i>					
Standard Discs & Pads	(1)	RL1525			
Upgraded Discs & Pads					
EBC Discs/Pads	(1)	RL1525UR			
Rossini Discs/Pads	(1)	RL1525ROS			
Brake Disc;					
Standard (Each)	(2)	208715			
EBC (Pair)	(1)	208715UR			
Rossini (Pair)	(1)	208715ROS			
Bolt (Disc to Hub)	(8)	113150			
Washer - Spring	(8)	GHF333			
Brake Pads (car set);					
Standard	(1)	GBP166			
Standard with fitting kit	(1)	GBP166K			
Upgraded Green Stuff EBC	(1)	GBP166GS			
Pads Fitting Kit <i>Inc. shims, pins & clips.</i>	(1)	GBK5914			
Pads Pin & Clip Kit <i>Inc. 4 pins & 4 clips.</i>	(1)	GBK1001			
Pads Retaining Pin (each)	(4)	511031			
Pads Clip (retaining pin) (each)	(4)	511032			
Caliper;					
Right hand	(1)	210989			
Left hand	(1)	210988			
Caliper Repair Kit (for 2 calipers)	(1)	511034			
Caliper Piston	(4)	512067			
Brake Hose - Front;					
Standard	(2)	GBH216			
Stainless Braided	(2)	GBH216GR			
Bleed Nipple	(2)	601959			
Dust Cap (bleed nipple)	(2)	STC1913			
Caliper Mounting Plate;					
Right hand	(1)	201892			
Left hand	(1)	201893			
Bolt (Caliper mounting)	(4)	132439			
Washer - Spring (Caliper bolt)	(4)	GHF335			

EBC BRAKE DISCS

EBC turbo groove discs are handed (lh & rh) with curved grooves and dimples to offer superb stopping power when combined with 'Green Stuff' Kevlar pads.



EBC
BRAKES

ROSSINI BRAKE DISCS

Rossini performance drilled and grooved discs are made from the best compounds with carbon & added manganese, molybdenum & titanium. The drillings cool the disc to reduce brake fade. The grooves reduce pad glazing and increase grip. The embedded Rossini logo on the disc face lets you know when they need replacing. Can be used with standard or 'Green Stuff' Kevlar Pads.



Rossini

2 Litre Models

Brake Kits (Front); <i>Disc & pad set (2 discs & pads)</i>	(1)	RG1059			
Standard Discs & Pads					
Upgraded Discs & Pads					
EBC Discs/Pads	(1)	RG1059UR			
Rossini Discs/Pads	(1)	RG1059ROS			
Brake Disc;					
Standard (each)	(2)	213227			
EBC (pair)	(1)	213227UR			
Rossini (pair)	(1)	213227ROS			
Bolt (disc to hub)	(8)	113150			
Washer - Spring	(8)	GHF333			
Brake Pads (car set);					
Standard	(1)	GBP132			
Standard inc fitting kit	(1)	GBP132K			
Upgraded EBC	(1)	GBP132GS			
Upgraded EBC inc fitting kit	(1)	GBP132GSK			
Pads Fitting Kit <i>Inc. shims, pins & clips.</i>	(1)	GRPFK1			
Pads Pin & Clip Kit <i>Inc. 4 pins & 4 clips.</i>	(1)	GBK1003			
Pads Shim (each)	(4)	27H2953			
Pads Retaining Pin (each)	(4)	QP2000			
Pads Clip (retaining pin) (each)	(4)	UKC7840			
Calipers & Fittings: <i>Type 16P - Imperial to HC53394.</i>					
Caliper;					
Right hand	(1)	307976			
Left hand	(1)	307977			
Piston - Caliper (1.5mm groove);					
Standard	(4)	510792			
Stainless Steel	(4)	510792SS			
Repair kit (For 2 calipers)	(1)	601960			
Bleed nipple	(2)	556508A			
Dust cap (Bleed nipple)	(2)	STC1913			
Calipers & Fittings: <i>Type 16PB - Imperial from HC53395.</i>					
Caliper;					
Right hand	(1)	311852			
Left hand	(1)	311851			
Piston - Caliper (5mm groove);					
Standard	(4)	157685			
Stainless Steel	(4)	157685SS			
Repair kit (For 2 calipers)	(1)	519731			
Bleed nipple	(2)	556508A			
Dust cap (Bleed nipple)	(2)	STC1913			
Caliper Adaptor Mounting Plate;					
RH	(1)	145106			
LH	(1)	145107			
Mounting bolt (Caliper)	(4)	132439			
Washer - Spring for bolt	(4)	GHF335			
Brake Hose - Front;					
Mk1 2 Litre					
Standard	(1)	GBH216			
Stainless braided	(1)	GBH216GR			
Mk2 2 Litre					
Standard	(2)	GBH203			
Stainless braided	(2)	GBH203GR			
Dust Shield (back plate);					
Right hand	(1)	213232			
Left hand	(1)	213233			
Brake Fluid;					
Standard Dot 3 (1 Litre)	(a/r)	GBF103			
Silicone					
0.5 litre	(a/r)	RX1327			
1 Litre	(a/r)	RX1326			



STANDARD FRONT BRAKE KIT

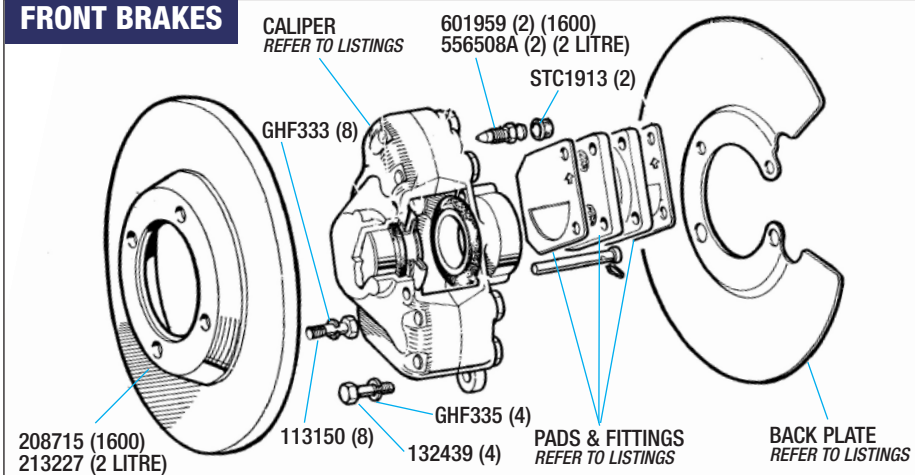


UPGRADED EBC DISCS & GREENSTUFF PADS



UPGRADED ROSSINI DISCS & GREENSTUFF PADS

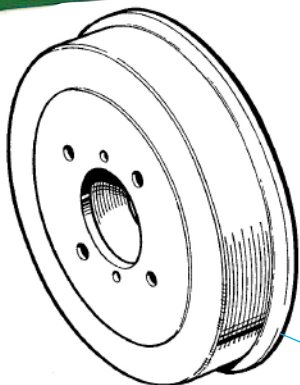
FRONT BRAKES



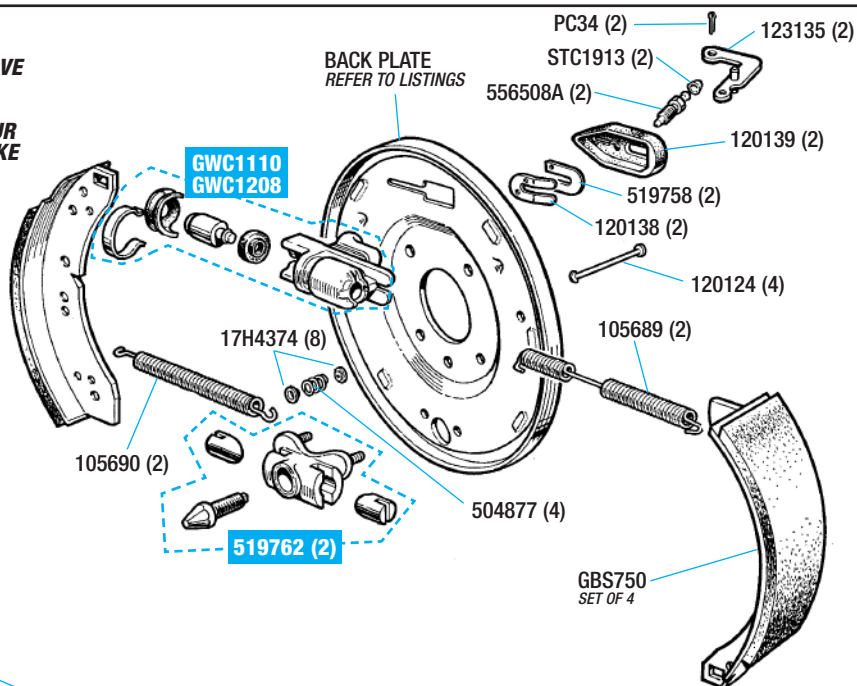


OUR BRAKE PIPE KITS HAVE EVERYTHING YOU NEED TO REPLACE YOUR RUSTED BRAKE PIPES.

V5435 (4)



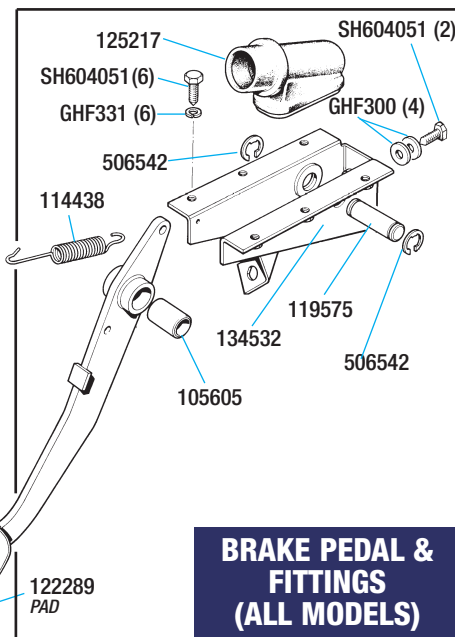
203077 (2)

**REAR BRAKES****Rear Brakes**

Brake Shoe Axle Set	(1)	GBS750
Brake Drum	(2)	203077
Screw-Drum Locating	(4)	V5435
Brake Back Plate;		
1600 & Mk1 2 Litre		
Right Hand	(1)	209260
Left Hand	(1)	209259
Mk2 2 Litre		
Right Hand	(1)	214817
Left Hand	(1)	214818
Tab washer*	(4)	121860
Bolt - tab washer*	(8)	121862
*Non-Rotoflex. Locates backplate & oil seal housing to inner hub.		
Tab washer**	(4)	149426
Bolt - tab washer**	(8)	SH606071
**Rotoflex. Locates backplate to vertical link.		
Adjuster Assy	(2)	519762
Wheel Cylinder;		
1600 & 2 Litre Mk1 (11/16" bore)	(2)	GWC1110
2 Litre Mk2 (3/4" bore)	(2)	GWC1208
Wheel Cylinder Repair Kit;		
for GWC1110	(2)	18G8642
for GWC1208	(2)	507865
Retaining Plate (Wheel cylinder)	(2)	120138
Retaining Spring Clip (Wheel cylinder)	(2)	519758
Dust Cover (Rubber)	(2)	120139
Bleed Nipple	(2)	556508A
Brake Shoe Pull-off Spring;		
Double Coil (Upper)	(2)	105689
Single Coil (Lower)	(2)	105690
Pin (Brake shoe retaining)	(4)	120124
Spring (for 120124)	(4)	504877
Cup Washer (for 120124)	(8)	17H4374
Brake Shoe Retaining Kit	(1)	RH5079
Kit is per axle and contains; 4 pins, 4 springs & 8 cup washers.		
Handbrake Operating Lever	(2)	123135
Split Pin (for 123135)	(2)	PC34
Rear Brake Hose;		
Standard		
1600 & 2 Litre MK1	(2)	GBH204
2 Litre MK2		
RH	(1)	GBH203
LH	(1)	GBH204
Braided Stainless;		
1600 & 2 Litre MK1	(2)	GBH204GR
2 Litre MK2		
RH	(1)	GBH203GR
LH	(1)	GBH204GR

Brake Pedal Fittings

Brake Light Switch (on pedal)	(1)	134529
Brake Pedal Bracket	(1)	134532
Pedal/Pad Rubber	(1)	122289
Bush (brake pedal)	(1)	105605
Spring - Pedal Return	(1)	114438
Cross Shaft - Pedal	(1)	119575
Circlip (for 119575 shaft)	(2)	506542
Setscrew (pedal adjusting)	(2)	SH604051
Washer - Flat (for SH604051)	(4)	GHF300
Setscrew (mounting bracket)	(6)	SH604051
Locates mounting bracket to bulkhead.		
Washer - Spring (for SH604051)	(6)	GHF331
Dust Cover/Boot	(1)	125217
Master cyl push rod.		

**BRAKE PEDAL & FITTINGS (ALL MODELS)****Brake Consumables**

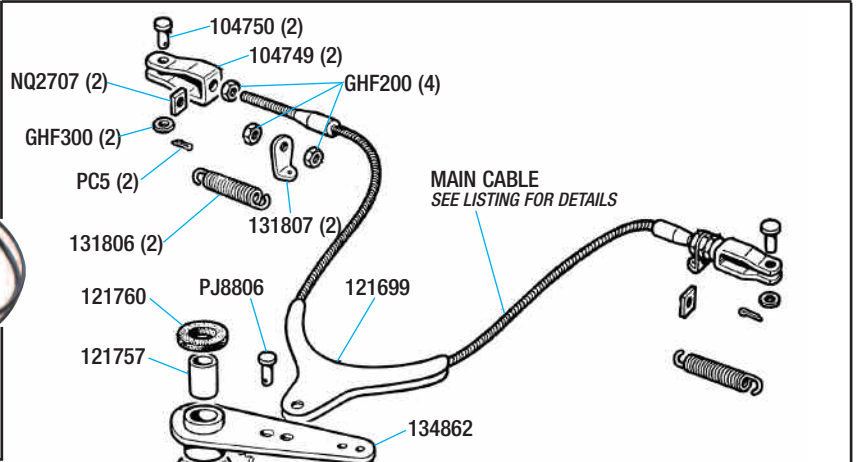
Brake Cleaner (aerosol)	(a/r)	GBF901
Brake Rubber Grease (tube)	(a/r)	514578
Copper Ease (anti-seize)	(a/r)	RX1345



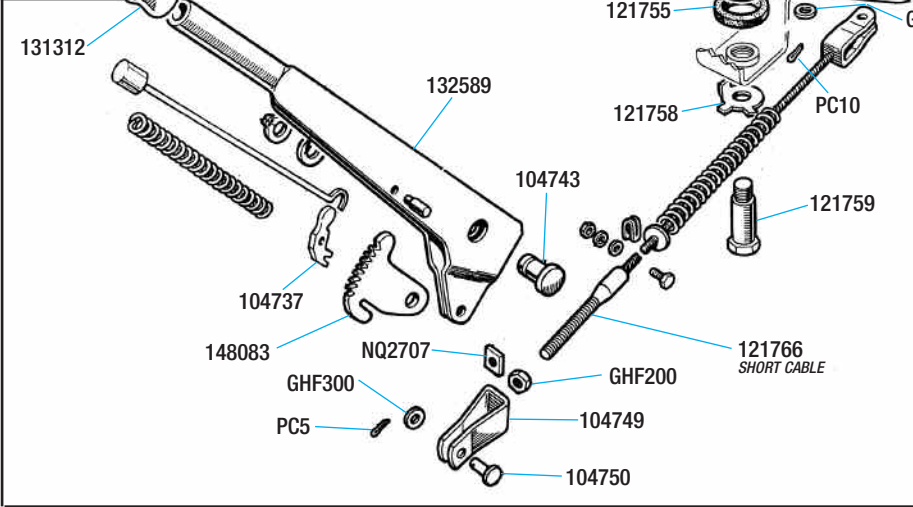
EVERYTHING YOU NEED TO OVERHAUL YOUR REAR BRAKES



BRAKE SERVO KIT - RH5272
 REMOTE MOUNTING.
 IMPROVE YOUR STOPPING POWER.



HANDBRAKE & CABLE



Handbrake & Cables

Handbrake Cable:		
Short Cable	(1)	121766
Handbrake to relay lever.		
Main Cable (compensator to wheel cylinders)		
1600 & 2 Litre MK1	(1)	127311
2 Litre MK2	(1)	151227
Handbrake Lever Assy	(1)	132589
Handbrake Grip	(1)	131312
Gaiter - Handbrake Lever	(1)	705789
Ratchet - H/Brake Lever	(1)	148083
Pawl - H/Brake lever	(1)	104737
Clevis Pin (cable to handbrake lever)	(1)	104750
Washer	(1)	GHF300
Split Pin	(1)	PC5
Cable Fork End	(1)	104749
Nut - Square	(1)	NQ2707
Nut - Locking	(1)	GHF200
Relay Lever	(1)	134862
Bush - Relay Lever	(1)	121757
Seal-Felt (for 121757)	(1)	121760
Seal-Rubber (for 121757)	(1)	121755
Pivot Pin	(1)	121759
Shouldered, locates relay lever to body.		
Tab Washer (for 121759)	(1)	121758
Compensator	(1)	121699
Handbrake cable equalising lever.		
Clevis Pin	(1)	PJ8806
Compensating lever to relay lever.		
Washer (for PJ8806)	(1)	GHF301
Split Pin (for PJ8806)	(1)	PC10
Spring (Handbrake pull off)	(2)	131806
'L' Bracket	(2)	131807
Nut (for 131807)	(4)	GHF200
Cable Fork End	(2)	104749
Clevis Pin	(2)	104750
Washer	(2)	GHF300
Split Pin	(2)	PC5
Operating Lever - Handbrake	(2)	123125
Handbrake cable fork to wheel cylinder. (Not shown).		

Brake Hydraulics

Brake Master Cylinder;		
1600	(1)	GMC224
2 Litre	(1)	GMC209
Mounting Bracket (Master cylinder)	(1)	119583
Repair Kit for Brake Master Cylinder;		
For GMC224	(1)	GRK1029
For GMC209	(1)	521154
Brake Servo Kit	(1)	RH5272
Remote mounting (see photo).		
Complete kit includes brackets & fittings.		
Repair Kit for above	(1)	RH5272RK
Brake Hose Kit (set of 4 hoses, front & rear);		
Standard		
1600 & 2 Litre MK1	(1)	RL1635
2 Litre MK2	(1)	RV6215
Braided Stainless		
1600 & 2 Litre MK1	(1)	RL1635GR
2 Litre MK2	(1)	RV6215GR
Front Brake Hose;		
Standard		
1600 & 2 Litre MK1	(2)	GBH216
2 Litre MK2	(2)	GBH203
Braided Stainless		
1600 & 2 Litre MK1	(2)	GBH216GR
2 Litre MK2	(2)	GBH203GR
Rear Brake Hose;		
Standard		
1600 & 2 Litre MK1	(2)	GBH204
2 Litre MK2		
RH	(1)	GBH203
LH	(1)	GBH204
Braided Stainless;		
1600 & 2 Litre MK1	(2)	GBH204GR
2 Litre MK2		
RH	(1)	GBH203GR
LH	(1)	GBH204GR
Brake Pipe Clip:		
Plastic Clip (Single)	(a/r)	GHF1192
Plastic Clip (Double)	(a/r)	625521A

Brake Pipe Kit (Copper);
 All pipes are fully made up and the correct length for the whole vehicle.

1600		
RHD	(1)	RH5165
LHD	(1)	RH5165LHD
2 Litre MK1		
RHD	(1)	RV6078
LHD	(1)	RV6078LHD
2 Litre MK2		
RHD	(1)	RV6055
LHD	(1)	RV6055LHD
Brake Pipe Junction:		
Front 5 way	(1)	137075
Front 4 way	(1)	565719
Rear 3 way	(1)	BTB657
Bolt (junction mounting)	(2)	BH604101
Nut (for BH604101)	(2)	GHF200
Washer - Plain (for BH604101)	(2)	WC701121
Washer - Locking (for BH604101)	(2)	GHF331
Brake Light Switch;		
Fitted in 5 way junction	(1)	132569
1600 & 2 Litre MK1.		
Fitted on Brake Pedal	(1)	134529
2 Litre MK2.		
Connector (male/male)	(1)	ACB5559
Connects main front pipe to main rear pipe.		

SILICONE - DOT 5 BRAKE & CLUTCH FLUID

THE FACTS

Automec Silicone Brake Fluid (SBF) meets the USA Department of Transportation Federal Motor Vehicle Safety Standard No 116 for DOT5 brake fluid, which has now been adopted by the UK & Europe. Silicone fluid is used in the same way as normal brake fluid. Drain the system, fill with Silicone and bleed in accordance with the vehicle manufacturers instructions. Initially the brake fluid remains purple, then after a while it changes to yellow. The colour change is quite normal and does not affect the performance of the fluid. Because Silicone fluid is non-hygroscopic (it absorbs less than 1% by weight of moisture), corrosion in the system is virtually eliminated, while at the same time the boiling point (important under emergency braking conditions) remains very high at around 260 Centigrade (500F) unlike normal fluids that can be as low as 170C. SBF is non-toxic, virtually inert (it is not glycol based) and is environmentally friendly. All this means that it won't harm you, your cars braking components, or the paintwork and because you don't have to drain the system (unlike normal glycol based fluids), it doesn't harm the environment. If Automec Silicone Brake Fluid becomes mixed with normal glycol fluid, they will work safely, as they both have to be classified as D.O.T fluids.

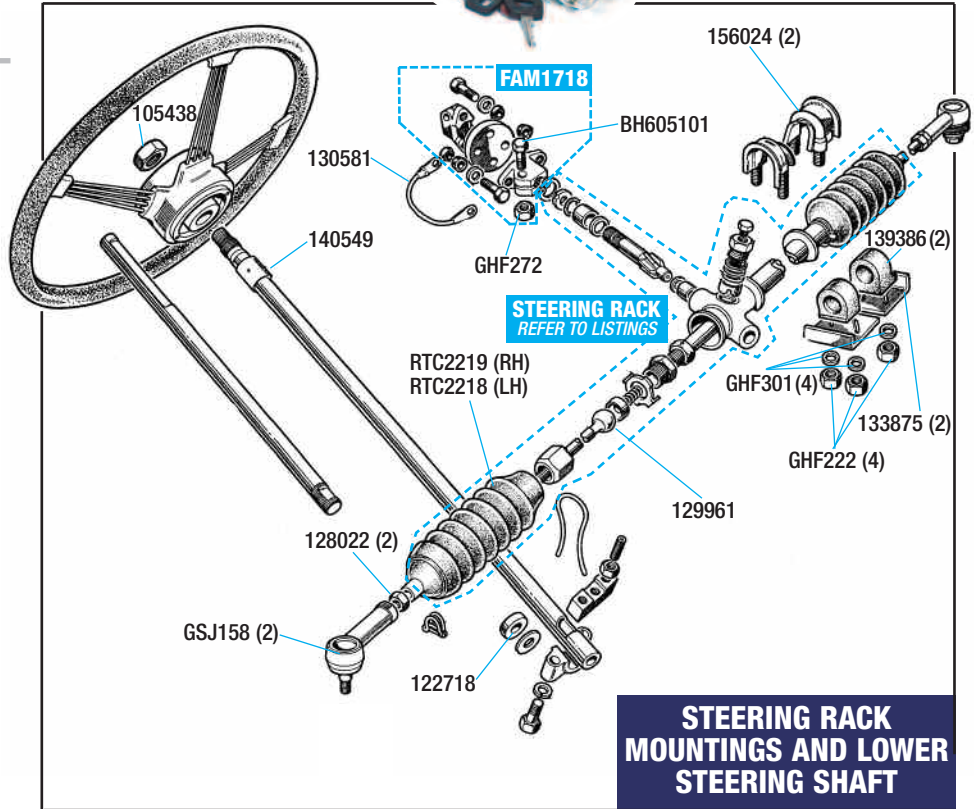


Brake Fluid;		
Standard (Dot 3) (1 Litre)	(a/r)	GBF103
Silicone		
0.5 litre	(a/r)	RX1327
1 Litre	(a/r)	RX1326

Steering Rack & Coupling

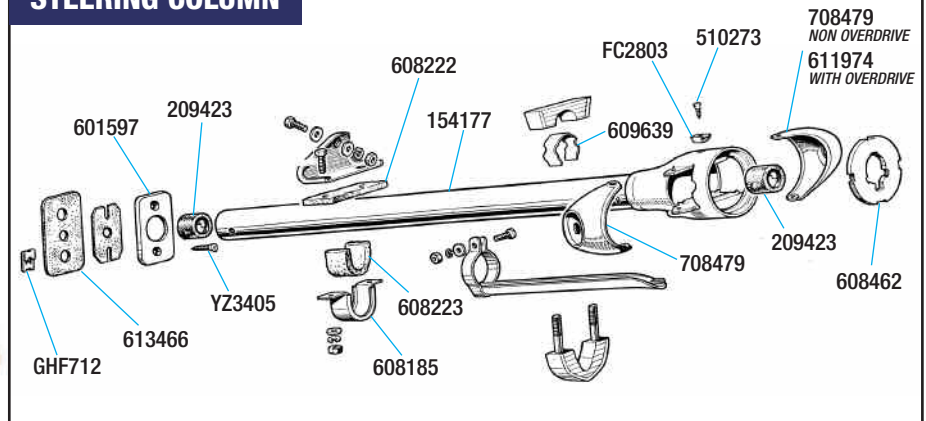
Steering Rack;
Includes gaiters, less track rod ends.

1600 & 2 Litre MK1								
RHD New	(1)	305932						
RHD Reconditioned	(1)	305932R						
RHD High Ratio	(1)	305932HR						
LHD New	(1)	305931						
LHD Reconditioned	(1)	305931R						
LHD High Ratio	(1)	305931HR						
2 Litre MK2								
RHD New	(1)	306829						
RHD Reconditioned	(1)	306829R						
RHD High Ratio	(1)	306829HR						
LHD New	(1)	306830						
LHD Reconditioned	(1)	306830R						
LHD High Ratio	(1)	306830HR						
Track Rod End (Inc nyloc nut)	(2)	GSJ158						
Nut (Track rod end to track rod 129961)	(2)	128022						
Rack Gaiter;								
Right Hand	(1)	RTC2219						
Left Hand	(1)	RTC2218						
Pair	(1)	RTC2218-9						
Track Rod & Inner Ball Joint	(2)	129961						
Steering Knuckle (Lower)	(1)	FAM1718						
Rack to column shaft.								
Pinch Bolt	(1)	BH605101						
Steering knuckle to rack/shaft.								
Nut (for bolt BH605101)	(1)	GHF272						
Earth Strap (Horn)	(1)	130581						



STEERING RACK MOUNTINGS AND LOWER STEERING SHAFT

STEERING COLUMN



Steering Column & Fittings

Outer Column Tube	(1)	154177
Escutcheon/Cover Indicator & Lighting stalks.	(2)	708479
Escutcheon/Cover Overdrive type, RH fitting.	(1)	611974
Screw (for 708479)	(2)	510273
Spire Nut (for 708479)	(2)	FC2803
Label/Instructions (for escutcheon/covers);		
Indicators	(1)	611011
Lighting	(1)	611013
Clip - Turn Signal Cancelling	(1)	140549
Slip Ring/Insulator	(1)	608462
Horn Push	(1)	150277
Clip (horn push)	(1)	204741
Pencil Connector (horn push)	(1)	142534

Bearings - Column (upper & lower)	(2)	209423
Spring Clip (upper column support)	(1)	609639
Clamp - Lower Column Support	(1)	608185
Felt (upper flat)	(1)	608222
Felt (U shaped lower)	(1)	608223
Column Retaining Plate Seal	(1)	613466
Retaining Plate	(1)	601597
Screw (retaining plate)	(2)	YZ3405
Spire Nut (for YZ3405)	(2)	GHF712
Bolt (for clamp 608185)	(2)	GHF117
Washer - Plain	(2)	GHF300
Washer - Locking	(2)	GHF332
Nut	(2)	GHF200
Steering Lock (Late Mk2 models only)	(1)	2190611
Shear Bolt	(2)	152597

Steering Rack Mountings

ALL MODELS

Rubber Mounting (Rack to body)								
Standard	(2)	139386						
Polyurethane	(2)	139386P						
Reinforcing Plate	(2)	133875						
U Bolt/clamp	(2)	156024						
Nut-nyloc (for U bolt 156024)	(4)	GHF222						
Washer-plain (for U bolt 156024)	(4)	GHF301						
Solid Mounting Kit Upgraded	(1)	RR1370						
See photo. Replaces original rubber mountings and clamps. Solid aluminium blocks clamp rack body to chassis using 'U' bolts. Provides more positive feel to steering. Note: also transmits more road noise and vibration.								

STEERING RACK SOLID MOUNTING KIT - RR1370



**MOTO-LITA
WOOD RIMMED 13" FLAT
RR1170/13**



**MOTO-LITA
WOOD RIMMED 14" FLAT
RR1170/14**

Steering Wheel & Fittings

"Moto-Lita" Sports Steering Wheel;
Inc. boss and fittings.

- | | | |
|-------------------------|-----|------------------|
| Wood Rimmed 13" Flat | (1) | RR1170/13 |
| Wood Rimmed 14" Flat | (1) | RR1170/14 |
| Leather Rimmed 13" Flat | (1) | RR1173/13 |
| Leather Rimmed 14" Flat | (1) | RR1173/14 |

"Mountney" Sports Steering Wheel & Boss;
13" Wood Rimmed

- | | | |
|---|-----|---------------|
| Semi-dished | (1) | RL1466 |
| 14" Vinyl Rimmed Dished
with Polished Spokes | (1) | RH5357 |
| with Black Spokes | (1) | RH5358 |

Nut - Steering Wheel Securing (1) **105438**



**MOTO-LITA
LEATHER 13" FLAT
RR1173/13**



**MOTO-LITA
LEATHER 14" FLAT
RR1173/14**



**MOUNTNEY
WOOD RIMMED
13" SEMI-DISHED
RL1466**



**MOUNTNEY
VINYL RIMMED
14" DISHED
POLISHED SPOKES
RH5357**



**MOUNTNEY
VINYL RIMMED
14" DISHED
BLACK SPOKES
RH5358**



Engine Electrics - Major Units

ALTERNATOR - DYNAMO - STARTER

Starter Motor;

Reconditioned (Exchange)	(1)	GEU9405
Up rated Hi-Torque (see panel)	(1)	GEU9405UR
Solenoid (Standard starter motor)	(1)	134174
Bush Set (Standard starter)	(1)	GSB105
Alternator Conversion Kit	(1)	RV6043
<i>See panel below.</i>		
Alternator Conversion Plug Kit	(1)	GEU250
Control Box (Voltage regulator)	(1)	GEU6606
Dynamo	(1)	GEU1102
Pulley (Dynamo)	(1)	147906
Fan (Dynamo)	(1)	147333
Bracket (Fan belt adjustment)	(1)	143650
Bolt (for 143650)	(1)	GHF120
Washer - Flat	(1)	RTC610A
<i>Bracket (Dynamo mounting to block);</i>		
2 Litre MK1	(1)	133241
2 Litre MK2	(1)	143437
Bolt (for 133241 & 143437)	(1)	GHF120
Washer - Spring	(1)	GHF332
Pedestal (adjusting)	(1)	59015
Nut - nyloc (for 59015)	(1)	GHF275
Bolt (for 59015)	(2)	BH605101
Washer - Plain	(2)	GHF301
Nut - nyloc	(1)	GHF272
Washer - Spring	(1)	GHF332
<i>Fan Belt;</i>		
1600	(1)	GCB11038
2 Litre MK1 to HC7937E	(1)	GCB11125
2 Litre MK1 from HC7938E	(1)	GCB11088
2 Litre MK2	(1)	GCB11088

UPRATED HI-TORQUE STARTER MOTOR



Fits as direct replacement.

Starts engine regardless of compression or temperature. Up to 200% more cranking power using up to 50% less current.

Up rated Hi-Torque Starter motor (1) **GEU9405UR**
All models. Outright sale, no exchange.

ALTERNATOR CONVERSION KIT

Alternator Conversion Kit **RV6043**

Note: vehicles must be (or converted to) negative earth.



PERFORMANCE IGNITION PARTS



Engine Electrics - Ignition System

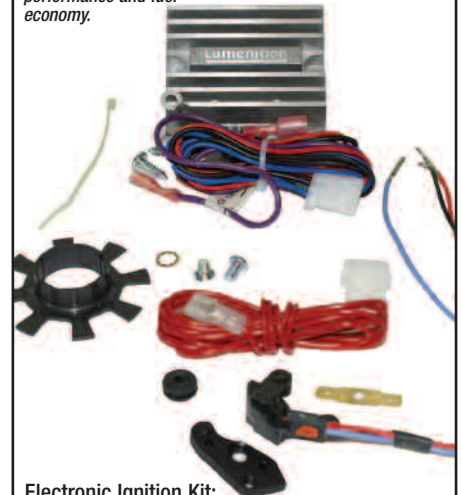
<i>Distributor (exchange);</i>		
1600 Lucas	(1)	208914R
1600 Delco	(1)	212873R
2 Litre MK1 Lucas	(1)	213754R
2 Litre MK1 Delco	(1)	213186R
2 Litre MK2 Lucas	(1)	215512R
Vacuum Pipe	(1)	37H4229M
<i>Adaptor for Vacuum pipe:</i>		
Straight End	(1)	12B2095
Angled End	(1)	12B262
<i>Distributor cap;</i>		
1600 Lucas	(1)	GDC105
1600 Delco	(1)	GDC109
2 Litre MK1 Lucas	(1)	GDC115
2 Litre MK1 Delco	(1)	GDC109
2 Litre MK2 Lucas	(1)	GDC115
<i>Plug Lead Set;</i>		
Standard	(1)	GHT142
Silicone	(1)	GHT142S
Lumenition Performance	(1)	GHT142P
<i>Vacuum unit;</i>		
1600 & 2 Litre MK1 <i>Up to Engine No HB511655.</i>	(1)	511655
2 Litre MK2	(1)	27H3821
<i>Contact Breaker Points;</i>		
Lucas Distributor	(1)	GCS101
AC Delco Distributor	(1)	GCS105
<i>Rotor Arm;</i>		
Lucas Distributor	(1)	GRA102
AC Delco Distributor	(1)	GRA2110
<i>Condenser</i>		
Lucas Distributor	(1)	GSC111
AC Delco Distributor	(1)	GSC104
<i>Terminal-Bush & Lead</i>		
Lucas Distributor	(1)	600329A
<i>Ignition Coil (12 volt);</i>		
Standard	(1)	GCL110
Lucas	(1)	GCL110LUCAS
Performance	(1)	GCL110HP
<i>This coil must NOT be used with electronic ignition.</i>		
Lumenition Performance	(1)	GCL132MS
<i>This coil is suitable for electronic ignition.</i>		
<i>Spark Plug;</i>		
Standard	(6)	GSP4382
Double Core	(6)	GSP4382HP
Plug Spanner	(1)	GAT140

Windscreen Wiper/Washer System

Wiper Motor Assy (less gear)	(1)	GXE7714
Wiper Rack	(1)	RTC202A
Grommet - Rack Tubing	(1)	600395
Wiper Box	(2)	122781
Nut (Wiper Box)	(2)	520205
Wiper Blade	(2)	GWB112
<i>Wiper Arm;</i>		
RHD	(2)	130034
LHD	(2)	130035
<i>Windscreen Wiper Switch;</i>		
1600 & 2 Litre Mk1	(1)	2H4841
Knob (for 2H4841)	(1)	704875
Washer Pump -1600 & Mk1 2 Litre	(1)	609173
<i>Windscreen Wiper Switch & Washer Pump - 2 Litre Mk2</i>		
Knob (for 149138)	(1)	149138
Washer Bottle	(1)	725374
Washer Bottle	(1)	609172
Retaining Clip (Washer bottle)	(1)	RTC2392
Washer Pipe Kit	(1)	RH5083
'T' Piece	(1)	612601
Washer Jet	(2)	608554
Grommet - Tubing	(1)	61917

ELECTRONIC IGNITION KIT

Kit offers maintenance free ignition system (in place of contact points) with improved performance and fuel economy.



<i>Electronic Ignition Kit;</i>		
AC Delco Distributor	(1)	RG1255
<i>Newtronic</i>		
Lucas Distributor	(1)	RR1113
<i>Lumenition</i>		
Optronic	(1)	RR1113P
<i>Uses infra red beam & breaker.</i>		
Performance	(1)	RR1113P
<i>Includes special coil.</i>		
Magnetronic	(1)	RR1432
<i>Fits inside distributor and uses Hall effect.</i>		

Headlights & Fittings

- Headlight Unit (Glass Bowl); Sealed Beam Type (RHD)**
- Outer - Dip Beam (2) **GLU135**
 - Inner - Main Beam Standard (2) **GLU105**
 - Up rated (Bulb Type) (2) **GLU105UR**
Includes bulb.
- Bulb Type (LHD)**
Supplied less bulb unless stated.
- Outer - Dip Beam Standard (2) **GLU526**
 - Up rated (2) **GLU526UR**
Includes bulb.
 - Inner - Main Beam Standard (2) **GLU525**
 - Up rated (2) **GLU105UR**
Includes bulb.
 - Bulb only Standard (4) **GLB410**
 - Up rated (60/55w) (4) **GLB2983**
- Halogen Bulb Type**
Alternative to sealed beam or standard bulb type. Supplied less bulb unless stated.
- Outer - Dip Beam RHD (2) **GLU537**
 - LHD (2) **GLU526UR**
Includes bulb.
 - Inner - Main Beam (2) **GLU538**
RHD & LHD.
 - Bulb only (Halogen) Dip (2) **GLB472**
 - Dip (Xenon type) Pair (1) **GLB472X**
 - Main (2) **GLB448**
 - Main (Xenon type) Pair (1) **GLB448X**
 - Main (Osram Silver Star H1) Pair (1) **GLB448S**
- Halogen Headlight Conversion Kit;**
Includes 4 headlamps, bulbs, relay & instructions. For use only with vehicles equipped with alternator. See Accessories for photo.
- RHD (1) **RM8100**
 - LHD (1) **RM8100 LHD**
- Headlamp Bowl Assy (Plastic)** (4) **RS1114**
This backing bowl comes complete with inner rim, adjusters & gasket.
- Chrome Rim (Outer);**
- Each (4) **511598A**
 - Set of 4 (1) **511598K**
 - Retaining screw (12) **GHF425**
- Adjuster Kit - Headlamp** (4) **37H8541**
- Gasket (headlamp bowl to body)** (4) **511602**
- Chrome Mesh Headlamp Guard (Pair)** (2) **RS1733**

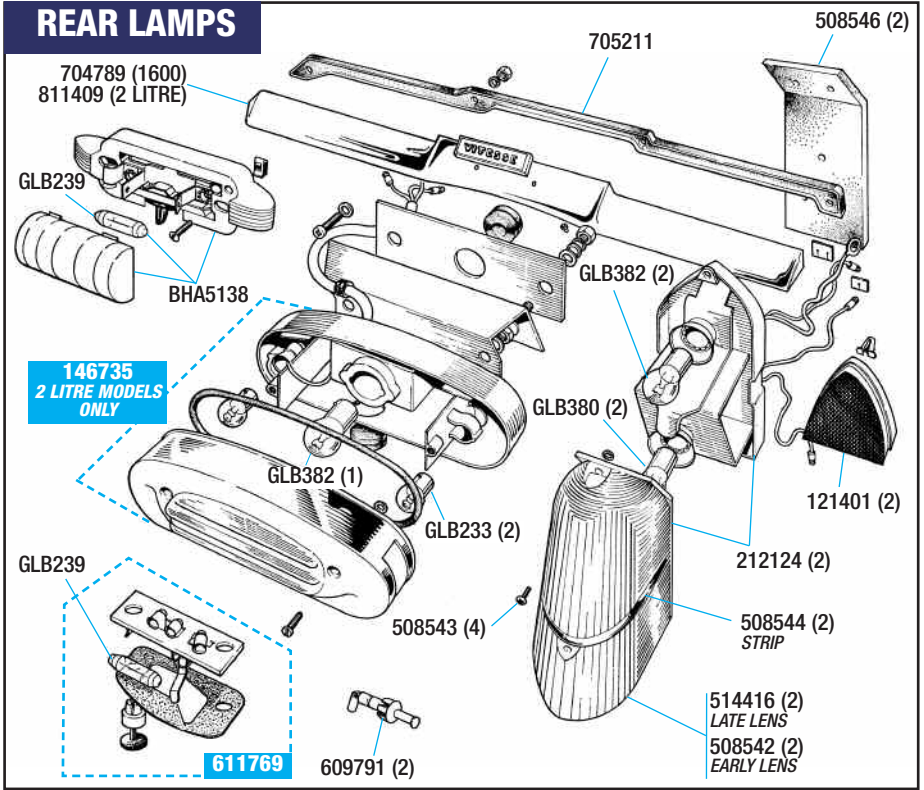


CHROME MESH HEADLAMP GUARDS - RS1733.
SOLD AS PAIRS (2 PAIRS REQUIRED PER VEHICLE).



FRONT FOG LIGHTS - RX1370

REAR LAMPS



Front Side/Flasher Lamps

- Side/Flasher Lamp Assy (Flat lens);**
- Right hand (1) **216416**
 - Left hand (1) **216417**
- Lens;**
- Right hand (1) **518483**
 - Left hand (1) **518482**
- Amber cover** (2) **505854**
- Rim** (2) **510756**
- Gasket (lens to lamp body)** (2) **122229**
- Bulb - side light** (2) **GLB989**
- Bulb - Indicator** (2) **GLB382**

Rear Lamps & Fittings

- Rear Lamp Assy** (2) **212124**
- Lens only;**
- Late (2) **514416**
 - Early (2) **508542**
- Finisher Strip - Lens** (2) **508544**
- Screw - Lens fixing** (4) **508543**
- Bulb Holders;**
- Stop & Tail (2) **508545**
 - Indicator (2) **508537**
- Bulb Stop/Tail** (2) **GLB380**
- Bulb Indicator** (2) **GLB382**
- Gasket - Lens Sealing** (2) **508546**
- Reflector - Red** (2) **121401**

Rear Number Plate Lamp

- Rear Number Plate Lamp;**
- 1600 (1) **703829**
 - 2 Litre (1) **146735**
- Bulb;**
- 1600 (1) **GLB989**
 - 2 Litre (2) **GLB233**
- Bulb Reversing Light (MK2 only)** (1) **GLB382**
- Cowl;**
- 1600 (1) **704789**
 - 2 Litre (1) **811409**
- Seal (cowl to body)** (1) **705211**

Interior Lighting

- Facia Lamp Assy - All models** (1) **611769**
- Bulb (Facia and roof lamp)** (a/r) **GLB239**
- Courtesy Light Switch** (2) **609791**
- Roof Lamp (2 Litre MK2)** (1) **BHA5138**
- Bulb (Roof lamp)** (1) **GLB239**

Fog lights

- Front fog lights (Rectangular, pair)** (1) **RX1370**
- Rear fog light (Each)** (2) **RB7092**



DRIVING LAMPS - RX1556

Driving Lamps

- Driving Lamps (pair)** (1) **RX1556**
5" dia, chrome. Also available in stainless steel.

Switches & Controls

FACIA / DASH MOUNTED SWITCHES

- Ignition Switch (1) **127651**
- Barrel & keys (1) **24G1345**
- Lock/Barrel & Key Set (1) **RH5271**
- Door, boot, ignition and glove box.*
- Master Light Switch
- 1600 & 2 Litre MK1 (1) **125245**
- 2 Litre MK2 (1) **131812**
- Knob (*Light Switch*)
- 1600 & 2 Litre MK1 (*Round knob*) (1) **704885**
- 2 Litre MK2 (*T - knob*) (1) **622672**
- Heater Blower Switch (1) **149011A**
- Windscreen wiper switch
- 1600 & 2 Litre MK1 (1) **2H4841**
- Knob (*for 2H4841*) (1) **704875**
- Windscreen Wiper Switch & Washer Pump (*2 Litre MK2*) (1) **149138**
- Knob (*for 149138*) (1) **725374**
- Heated rear window switch (1) **156467**
- All models if fitted.*
- Choke Cable Assy;
- 1600 (1) **401458**
- 2 Litre (1) **402694**
- Knob - Choke cable (1) **143136**

COLUMN MOUNTED SWITCHES

- Steering lock/switch (*Late MK2 when fitted.*) (1) **2190611**
- Shear Bolt (2) **152597**
- Indicator stalk (1) **158966**
- Lighting stalk;
- 1600 (*No Headlight flash*)
- RHD (1) **131275**
- LHD (1) **131276**
- 2 Litre (*3 position*)
- RHD (1) **147278**
- LHD (1) **147279**
- Overdrive Stalk;
- RHD (1) **147280**
- LHD (1) **147281**
- Escutcheon/Covers;
- Indicator & lighting stalks (2) **708479**
- Indicator/overdrive (1) **611974**
- Labels-Instructions (*Transfers for 708479 covers*)
- Lighting (1) **611400**
- Indicator
- RHD (1) **611012**
- LHD (1) **611011**
- Horn Push (1) **150277**
- Clip (*horn push*) (1) **204741**
- Pencil connector (*horn push*) (1) **142534**

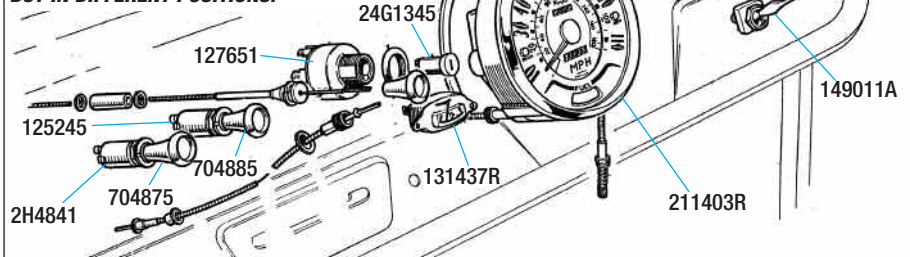
MISCELLANEOUS SWITCHES

- Brake Light switch;
- 1600 & 2 Litre Mk1 (1) **132569**
- Fitted in 5 way hydraulic junction*
- 2 Litre Mk2 (1) **134529**
- Fitted on brake pedal*
- Courtesy Light Switch (1) **609791**
- Oil Pressure Switch (1) **GPS117**
- Reverse Light Switch (1) **BAU1074A**
- Overdrive Inhibitor Switch (1) **BAU1074A**

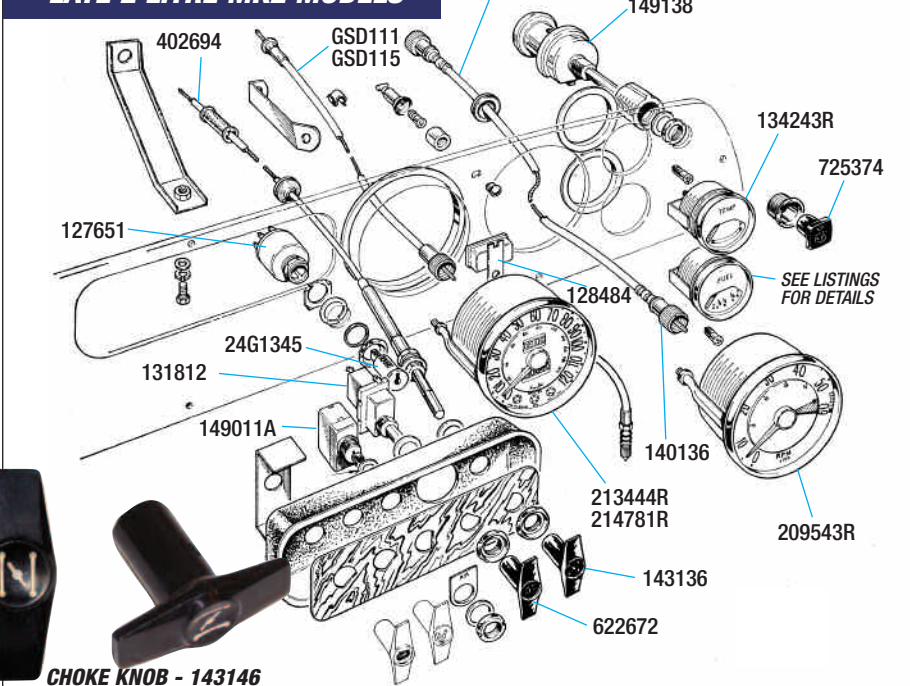


INSTRUMENTS & SWITCHES 1600 & 2 LITRE MK1 MODELS

SWITCHES FOR 2 LITRE MK1 ARE THE SAME BUT IN DIFFERENT POSITIONS.



INSTRUMENTS & SWITCHES LATE 2 LITRE MK2 MODELS



Instruments & Cables

- | | | | |
|--|--------------------|--|---------------------|
| Speedometer;
<i>Reconditioned. Customer's own unit.</i> | | Rev Counter | (1) 209543R |
| 1600 | (1) 211403R | Rev Counter Cable | (1) 140136 |
| 2 Litre for use with 3.89 Axle | | Fuel Gauge; | |
| 5.60 x 13 Tyres | (1) 213444R | 1600 (<i>early, no voltage stabiliser</i>) | (1) 131437R |
| 155 x 13 Tyres | (1) 214781R | 2 Litre MK1 | (1) 145700R |
| Speedometer Cable | | 2 Litre MK2 | (1) 131438R |
| Non Overdrive | (1) GSD111 | Water Temperature Gauge | |
| Overdrive | (1) GSD115 | 2 Litre Models only | (1) 134243R |
| Voltage Stabiliser; | | Thermal transmitter (<i>for 134243</i>) | (1) GTR108 |
| 2 Litre models only | (1) 128484 | Bulb Instrument/Warning | (a/r) GLB987 |



Oil Pressure Gauge & Switch

You can either guess your oil pressure - or fit one of our kits.

- | | | | |
|---|----------------------|--|--------------------|
| Oil Pressure Gauge Kit
<i>Includes gauge pipe etc.</i> | (1) RX1351/O | Adaptor;
Oil Pipe to Block | (1) 143943 |
| Oil Pressure and Water Temperature Gauge Kit
<i>Includes gauge pipe etc.</i> | (1) RX1351/OW | Temp Sender to Water Pump Housing | (1) 11K2846 |
| Bracket (<i>for remote mounting of gauge</i>) | (1) RB7050 | Washer - Copper (<i>for adaptor 11K2846</i>) | (1) AED172 |
| | | "T" Piece | (1) RX1352 |
| | | <i>Required when fitting oil pressure gauge kit if retaining low Pressure warning light.</i> | |

AIR HORNS - RX1381



Relays, Fuses & Horns

Horn;		
High Note	(1)	GGE164
Low Note	(1)	GGE165
Air Horns (pair)	(1)	RX1381
Horn Push	(1)	150277
Clip (Horn push)	(1)	204741
Pencil Connector (Horn push)	(1)	142534
Indicator Relay	(1)	GFU103
Voltage Stabiliser (2 Litre models only)	(1)	128484
Fuse Box	(1)	606253A
Fuse 35A (pack of 5)	(1)	GFS3035
Overdrive Relay	(1)	142169A

Wiring Harness

Wiring Harness - Full Loom		
1600 & MK1 2 Litre		
RHD	(1)	307908
LHD	(1)	307908LHD
MK2 2 Litre		
RHD	(1)	308803
LHD	(1)	308803LHD
Overdrive Harness (All models)	(1)	139243

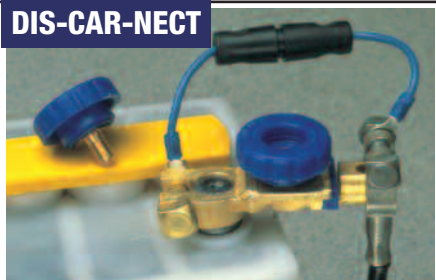
Battery & Fittings

Battery (Available for collection only);		
Premium	(1)	GBA3015
Economy	(1)	GBY3101
Battery Conditioner (See panel)	(1)	RX1410CTEK
Battery Charger (Conventional type)	(1)	GAC7106
Battery Bracket Fixing Kit	(1)	RV6226
<i>Includes retaining bar, hooks, wing nuts & washers.</i>		
Retaining Hook - Battery	(2)	618434
Battery Retaining Bar	(1)	142087
Wing Nut (for retaining bar)	(2)	132068
Washer (for retaining bar)	(2)	WP127
Seating Pad - Battery	(1)	613155



Battery Leads

Battery Leads;		
Starter to Solenoid	(1)	507899
Battery to Earth	(1)	516376
Engine to Earth	(1)	507901
Battery to Solenoid		
RHD	(1)	515554
LHD	(1)	515555



'Dis-Car-Nect' Starter Immobiliser	RX1356
See photo above.	
Replacement Screw Knob	RX1356K
Replacement Fuse	RX1356F

HOW DOES 'DIS-CAR-NECT' WORK ?

When leaving your car, simply remove the knob to isolate the starter circuit. The 16 amp by-pass fuse will maintain current to all other electrical circuits (central locking, stereo memories, alarm etc). Because the starter motor draws over 150 amp's, any attempt to connect (hot wire) the starter motor will instantly cause the fuse to blow. This immobilises the car until the knob is replaced. If this should happen, simply replace the 16 amp fuse at a convenient time. As an added advantage, the 'Dis-Car-Nect' will also prevent battery drain if you intend to store your car, simply unscrew the knob and remove the fuse. For extra security, unscrew and remove the immobiliser knob completely. Fits all vehicles and is easily fitted to any battery terminal. Full installation instructions supplied with every unit.

BATTERY CONDITIONER



The battery charger that turns on and off, automatically.

Suitable for all 12 volt batteries (from 5AH to 100AH), this superb product constantly revitalises the battery cells - helping to extend cell life, without the danger of overcharging.

LOOK AT THESE BENEFITS;

- Designed to be left connected for long periods.
- Use without disconnecting vehicle electrics.
- L.E.D. battery condition display.
- Thermal cut-out facility.
- 12 month guarantee.

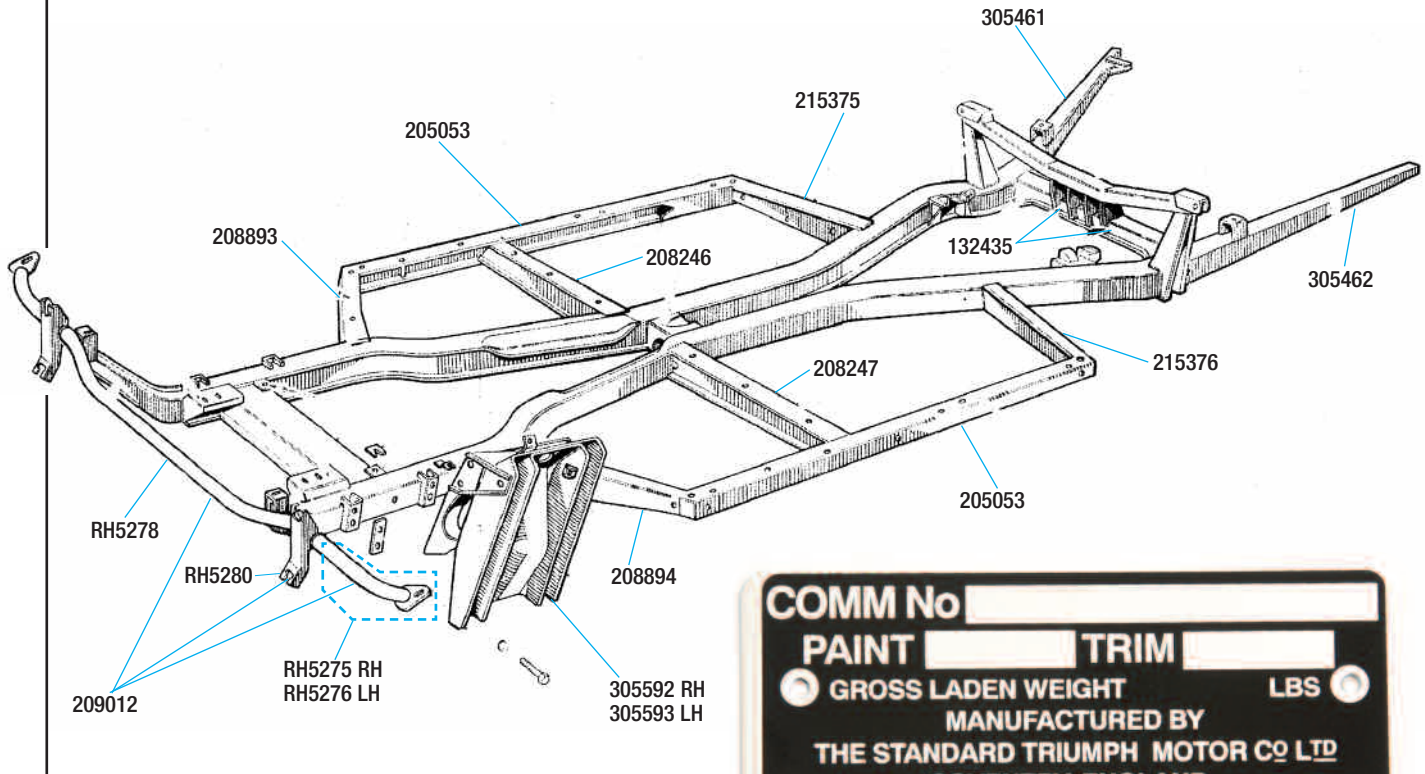
Can also be used for these applications providing they use a 12 volt battery;
Caravans, lawn mowers, motorbikes, motor boats, wheel chairs and general leisure use.

**BATTERY CONDITIONER KIT
RX1410CTEK**

Comes complete with all fittings & operating instructions.

BATTERY CHARGER GAC7106

Conventional type 12v.

CHASSIS FRAME & OUTRIGGERS

COMM No

PAINT

TRIM



GROSS LADEN WEIGHT

LBS

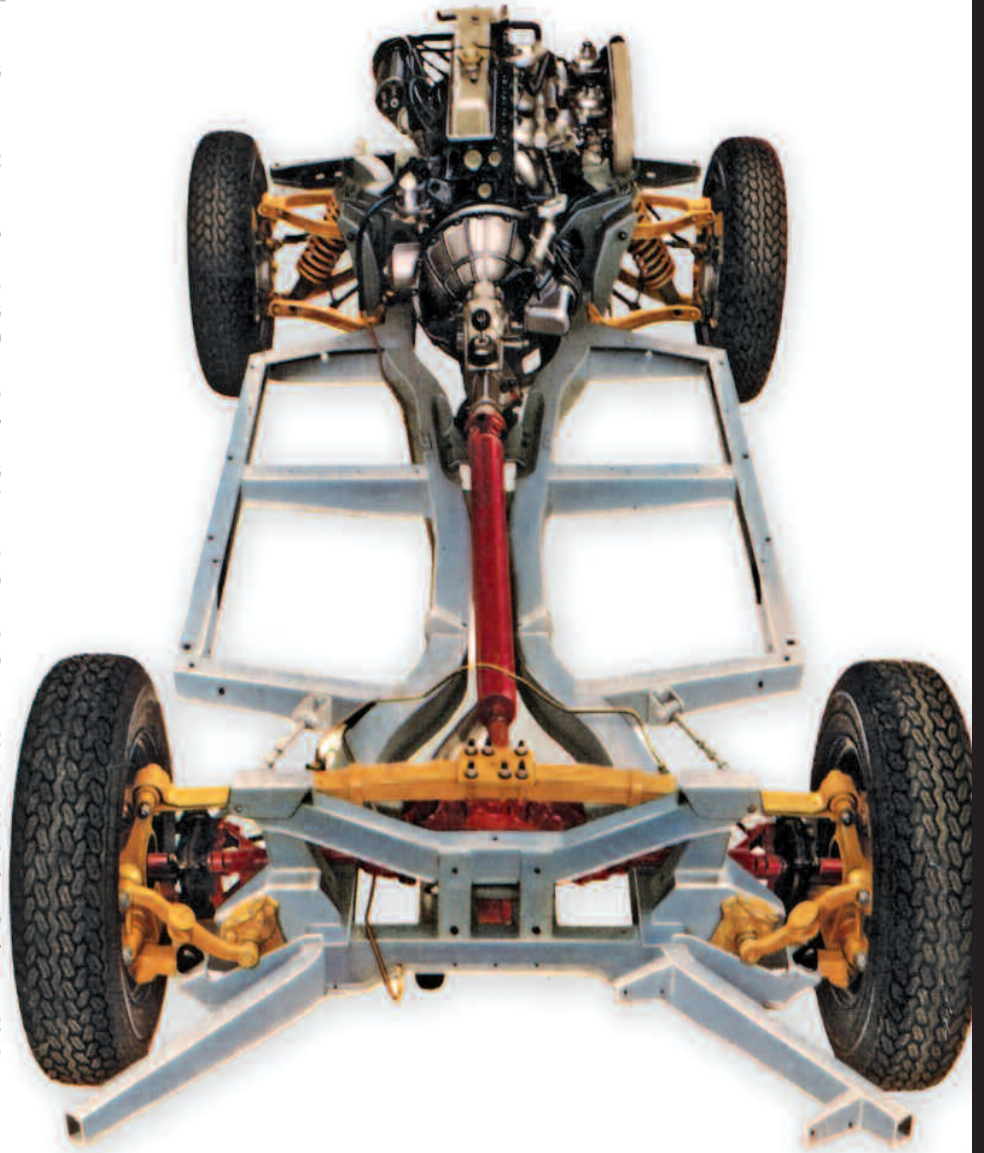
MANUFACTURED BY
THE STANDARD TRIUMPH MOTOR CO LTD
COVENTRY, ENGLAND.

BS. AU48: 1965

Chassis**1600, 2 Litre MK1 & MK2**

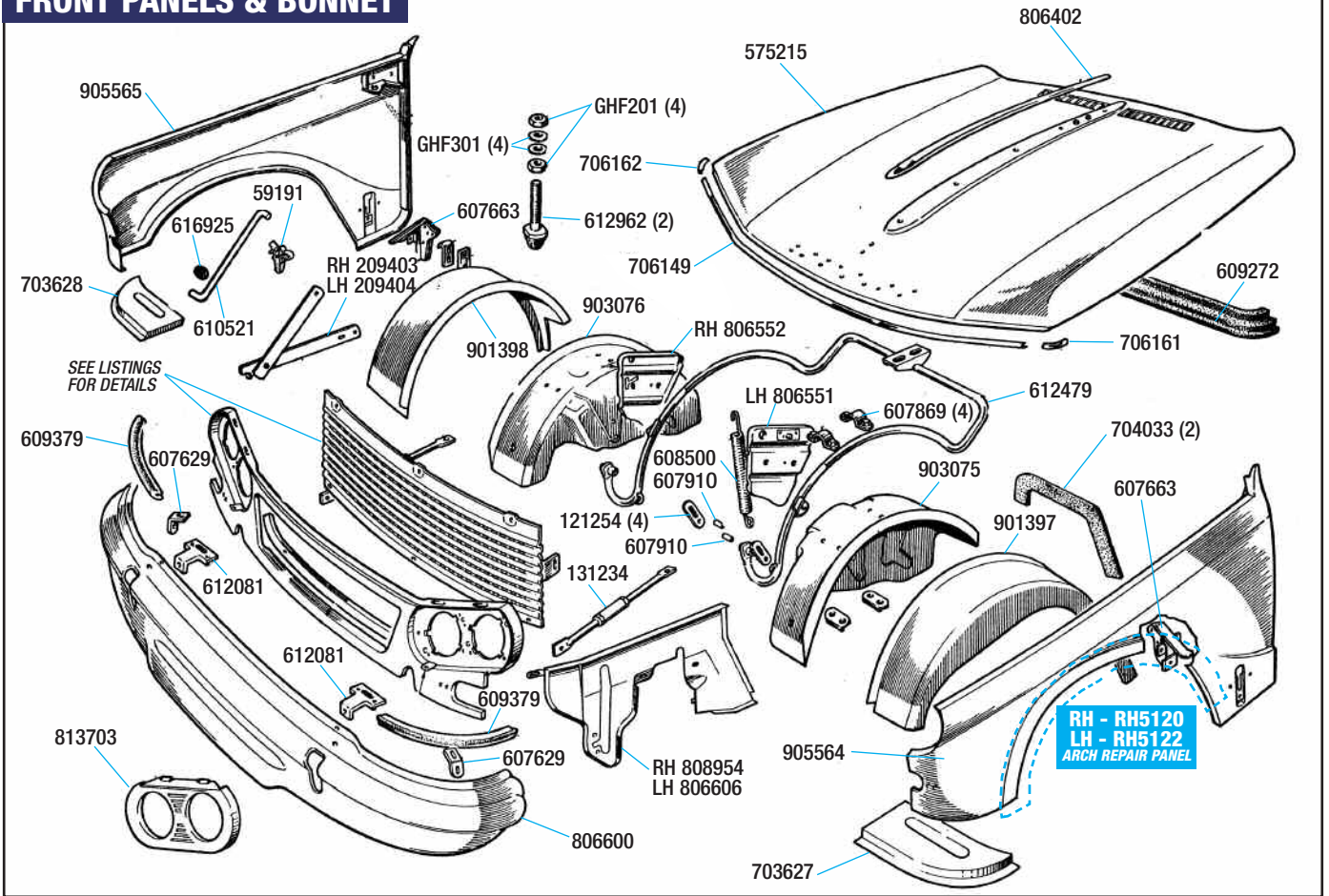
Chassis to Body Mounting Kit	(1)	RH5086
<i>Kit includes bolts, washers & mounting rubbers.</i>		
Front Cross Tube Assembly;		
<i>Complete with mounting brackets.</i>		
All models	(1)	209012
Front Cross Tube only		
<i>NOT supplied with brackets.</i>		
All models	(1)	RH5278
Front Cross Tube End Repair (<i>All models</i>);		
Right Hand	(1)	RH5275
Left hand	(1)	RH5276
Mounting Brackets (<i>Cross Tube</i>)	(2)	RH5280
Front Outrigger		
RH	(1)	208893
LH	(1)	208894
Centre Rigger;		
RH	(1)	208246
LH	(1)	208247
Rear Outrigger;		
RH	(1)	215375
LH	(1)	215376
Side Chassis Rail;		
RH & LH	(2)	205053
Bracket Sill Mounting	(8)	607696
Rear Chassis Extension;		
RH	(1)	305461
LH	(1)	305462
Mounting Bracket Differential	(2)	132435
Front Suspension & Engine Mounting Turret;		
RH	(1)	305592
LH	(1)	305593
Rear Rebound Rubber	(2)	136758
<i>Located On shock mount MK2 only.</i>		
Spacer Block-Chassis Mounting	(a/r)	CD26326
Distance Tube-Body Mounting	(4)	609824
Side Rail to Bulkhead Anchor Kit	(4)	RH5291
Side Rail to Rear Body		
Anchor Plate	(4)	RH5292
Chassis Plate (<i>Identification</i>)	(1)	CNPTR5

CHASSIS PLATE - CNPTR5



ORDER ON: 01522 568000 / www.rimmerbros.co.uk

FRONT PANELS & BONNET



Front Panels & Bonnet

Bonnet Top Panel	(1)	575215
Front Wing;		
RH	(1)	905565
LH	(1)	905564
Front Wing Wheel Arch Repair Panel		
RH	(1)	RH5120
LH	(1)	RH5122
Stiffener Panel;		
RH	(1)	806552
LH	(1)	806551
'D' Panel (Wheelarch to front panel);		
RH	(1)	703628
LH	(1)	703627
Front Outer Wheel Arch;		
RH	(1)	901398
LH	(1)	901397
Front Inner Wheel Arch;		
RH	(1)	903076
LH	(1)	903075
Seal (Wheel arch to bulkhead)	(2)	704033
Clip (for 704033)	(20)	608520
Bonnet to bulkhead seal	(1)	609272
Moulding (Bonnet Top)	(1)	806402
Clip (Moulding)	(5)	611504
Rivet (Clip fixing)	(5)	557922
Moulding (Bonnet Front)	(1)	706149
Clip (Moulding)	(9)	608817
Moulding Corner;		
RH	(1)	706162
LH	(1)	706161
Screw (Corner retainer)	(2)	YZ3162
Inner Valance;		
RH	(1)	808954
LH	(1)	806606
Seal (Inner Valance)	(2)	609098
Bonnet Pivot Tube	(1)	612479
Bracket (Pivot Tube)	(4)	607869
Link Plate (Pivot Tube)	(4)	121254
Spring (Bonnet)	(2)	608500
Fulcrum Pin	(2)	607910

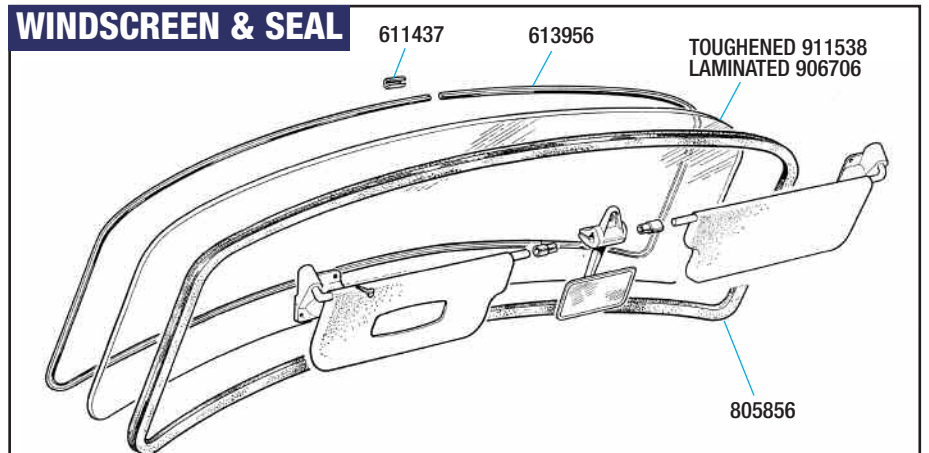
Fulcrum Pin	(2)	607910
Bonnet Catch Assy	(2)	607663
Bonnet Catch Fitting Kit	(1)	607663FK
Bonnet Lock (Pair)	(1)	562116
Bonnet Locating Cone	(2)	612962
Retaining Nut (for 612962)	(4)	GHF201
Washer (for 612962)	(4)	GHF301
Rubber Buffer (Bonnet)	(2)	CD22869
Bonnet Stay (Bonnet to wheel arch)		
RH	(1)	209403
LH	(1)	209404
Bonnet Stay (Bonnet to engine valance) (1)		610521
Grommet (Rubber)	(1)	616925
Clip (for 610521)	(1)	59191
Bonnet Stay rod (Threaded)	(2)	131234
Nut (RH Thread)	(2)	JN2110
Nut (LH Thread)	(2)	131233
Front Panel (Headlight);		
1600 & 2 Litre MK I	(1)	903106
2 Litre MK II	(1)	814092
Channel / Stiffener;		
1600 & 2 Litre MK I	(1)	806549
2 Litre MK II	(1)	814113

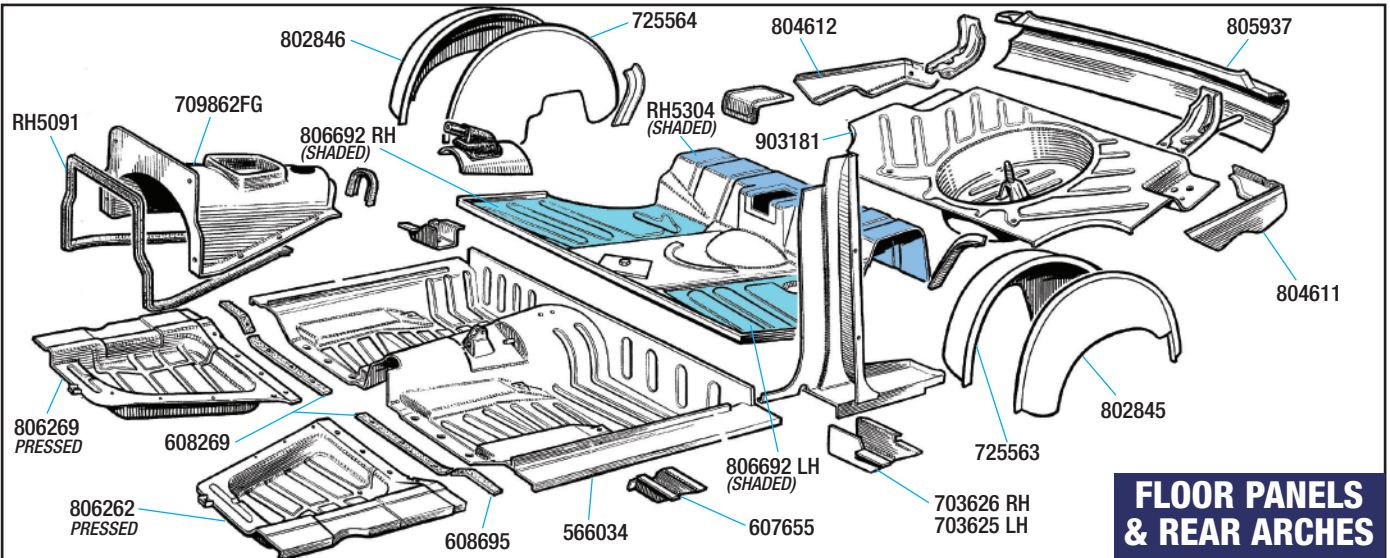
Front Grille;		
1600 & 2 Litre MK I	(1)	806354
2 Litre MK II	(1)	814083
Headlamp Trim	(2)	813703
Bracket-Override	(2)	612081
Front Valance - Lower	(1)	806600
Bracket - Valance End	(2)	607629
Seal - Valance to wheel arch	(2)	609379

Windscreen & Seal

Windscreen;		
Toughened (Clear)	(1)	911538
Laminated (Clear)	(1)	906706
Windscreen Rubber	(1)	805856
Finisher	(1)	613956
Clip-Finisher	(1)	611437
Seal (Saloon);		
Windscreen frame to roof	(1)	703696
Roof - rear to deck	(1)	611750

WINDSCREEN & SEAL





FLOOR PANELS & REAR ARCHES

Floor Panels & Rear Arches

Front Floor - Pressed (shaped);		
Right hand	(1)	806269PRE
Left hand	(1)	806262PRE
Front Floor Repair Panel (<i>Flat panel with side lips</i>);		
Right hand	(1)	806269
Left hand	(1)	806262
Sealing Strip;		
Front to rear floor inner	(2)	608269
Front to rear floor outer	(2)	608695
Treadplate-Repair Panel (<i>RH & LH</i>)	(2)	566034
Treadplate Finisher	(2)	806598
Screw - Retaining	(14)	518368
Rear Seat Pan (Repair);		
RH	(1)	806692RH
LH	(1)	806692LH
Rear Inner Wheel Arch (<i>outer section</i>);		
Right hand	(1)	802846
Left hand	(1)	802845
Rear Inner Wheel Arch (<i>inner section</i>);		
Right hand	(1)	725564
Left hand	(1)	725563
Rear Centre Valance	(1)	805937
<i>Less bumper retaining strip.</i>		
Bumper Retaining Strip	(1)	RH5229
Gear Box Tunnel Cover;		
Fibreglass	(1)	709862FG
Plastic	(1)	709862PL

Seal Kit - Tunnel Cover	(1)	RH5091
Fitting Kit - Tunnel cover	(1)	709862FK
Anchor Plate - Seatbelt	(2)	621271

Body Mounting Brackets

Front Floor (Front)	(2)	607548
Rear Floor (<i>RH & LH</i>);		
Treadplate Support	(2)	607655
Rear Floor Support	(2)	612295
"B" Post;		
Right hand	(1)	703626
Left hand	(1)	703625
Body to Chassis Mounting Kit	(1)	RH5086

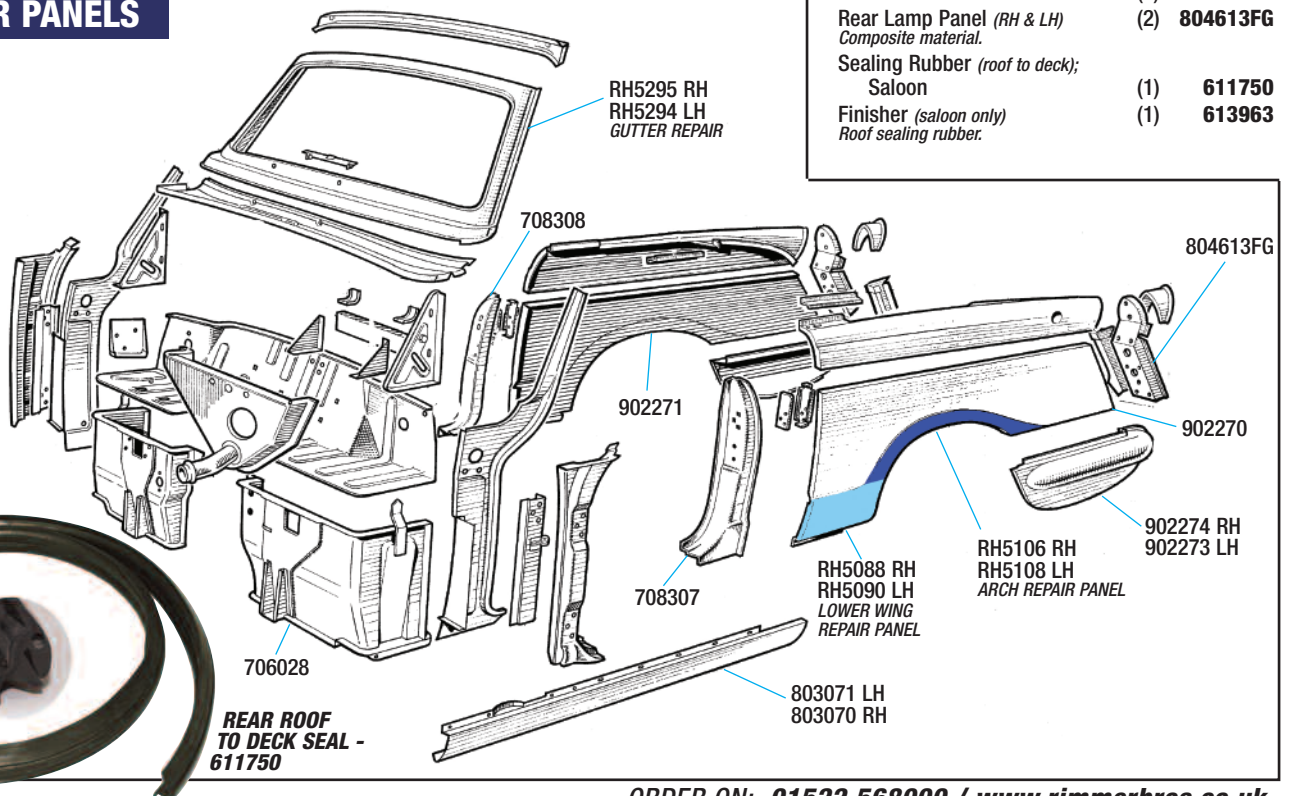
Boot Floor

Boot Floor Side (Repair);		
Right hand	(1)	804612
Left hand	(1)	804611
Boot Floor Panel	(1)	903181
Boot Floor Heel Panel (<i>repair</i>)	(1)	RH5304
Washer-Plain (<i>boot floor to chassis</i>)	(4)	CD26326
Grommet (<i>spare wheel well</i>)	(1)	600399

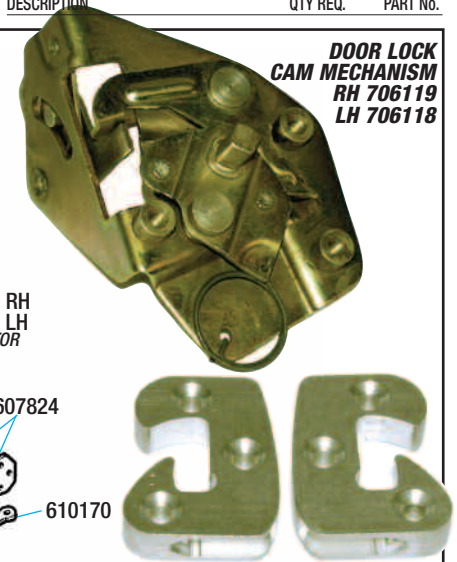
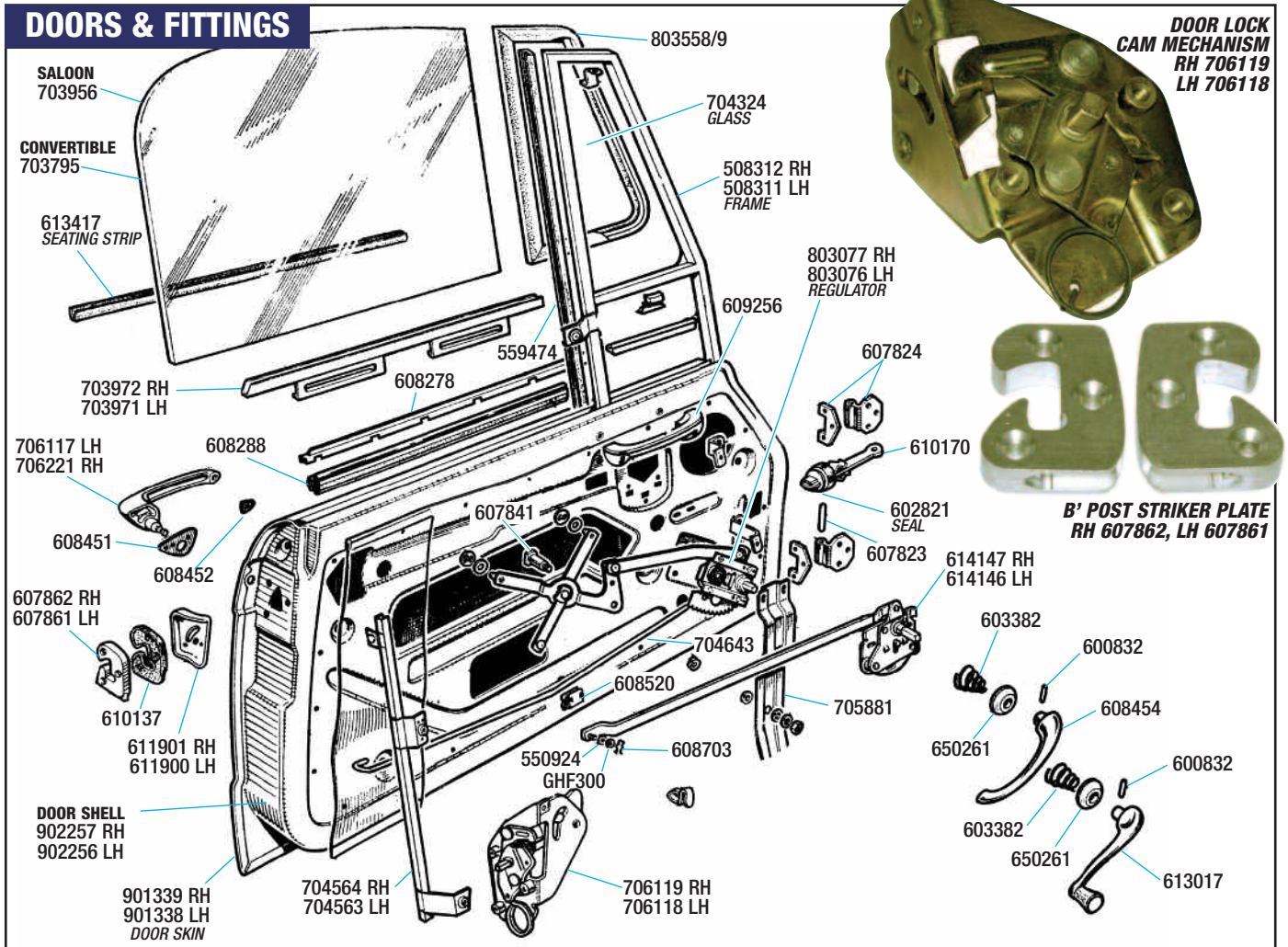
Rear Panels Sills & Windscreen Gutters

Windscreen Gutter (Repair);		
Right hand	(1)	RH5295
Left hand	(1)	RH5294
"B" Post Assy;		
Right hand	(1)	703808
Left hand	(1)	703807
Rear Wing;		
Right hand	(1)	902271
Left hand	(1)	902270
Outer Sill - Full;		
Right hand	(1)	803071
Left hand	(1)	803070
Bracket - Sill Mounting	(8)	607696
Rear 1/4 Valance;		
Right hand	(1)	902274
Left hand	(1)	902273
Clip - 1/4 Valance	(a/r)	FA3057/4
Bolt - 1/4 Valance	(a/r)	UL2706
Bumper Retaining Strip	(1)	RH5229
Rear Wing Repair Panel;		
Front Lower Side		
Right hand	(1)	RH5088
Left hand	(1)	RH5090
Wheel Arch		
Right hand	(1)	RH5106
Left hand	(1)	RH5108
Rear Lamp Panel (<i>RH & LH</i>)	(2)	804613FG
<i>Composite material.</i>		
Sealing Rubber (<i>roof to deck</i>);		
Saloon	(1)	611750
Finisher (<i>saloon only</i>)	(1)	613963
<i>Roof sealing rubber.</i>		

REAR PANELS



REAR ROOF TO DECK SEAL - 611750



Door Panels & Hinges

Door Shell (Bare);		
Right hand	(1)	902257
Left hand	(1)	902256
Door Skin;		
Right hand	(1)	901339
Left hand	(1)	901338
Door Skin Repair Panel;		
Lower Section		
Right hand	(1)	RH5093
Left hand	(1)	RH5095
Bottom (Underside)		
Right hand	(1)	RH5121
Left hand	(1)	RH5123
Door Aperture Seal:		
<i>Available in black, blue, red, beige, chestnut & tan.</i>		
Saloon Models	(2)	RX3004
Convertible Models	(2)	RX3002
Hinge Assy	(4)	607824
Hinge Pin	(4)	607823
Screw Hinge to Body	(4)	SF605061
Screw Hinge to Body	(8)	SH605071
Washer - Locking	(12)	GHF332
Screw - Hinge to door	(12)	SH605071
Washer - Locking	(12)	GHF332
Door Check Strap	(2)	610170
Seal Check Strap	(2)	602821
Anti Burst Catch (convertible only)	(2)	703741

Door Handles & Fittings

Door Handle Assy;		
RH - Locking	(1)	706117
LH - Non Locking	(1)	706221
Lock/Barrel & Key (door only)	(1)	567019
Lock/Barrel & Key Set	(1)	RH5271
<i>Per car: door, boot, ignition, cubby.</i>		
Door Handle Gasket;		
Large	(2)	608451
Small	(2)	608452
Door Striker;		
<i>Note: re-use existing springs.</i>		
Right hand	(1)	607862
Left hand	(1)	607861
Gasket	(2)	610137
Cover Plate (Striker);		
Right hand	(1)	611901
Left hand	(1)	611900
Screw - Door Catch	(6)	SF604051
Lock Cam Mechanism;		
Right hand	(1)	706119
Left hand	(1)	706118
Push Button;		
Right hand	(1)	567017
Left hand	(1)	567018
Remote Control;		
Right hand	(1)	614147
Left hand	(1)	614146
Washer (Remote to lock assy)	(2)	550924
Washer - Plain (Remote to lock assy)	(2)	GHF300
Clip (Remote to lock assy)	(2)	608703
Interior Door Handle (opening)	(2)	608454
Pin (Interior door handle)	(2)	600832
Escutcheon (Interior door handle)	(2)	650261
Spring - Conical	(2)	603382
Handle - Door Pull	(2)	609256
Window Winder Handle	(2)	613017
Pin (Winder Handle)	(2)	600832
Escutcheon (Winder handle)	(2)	650261

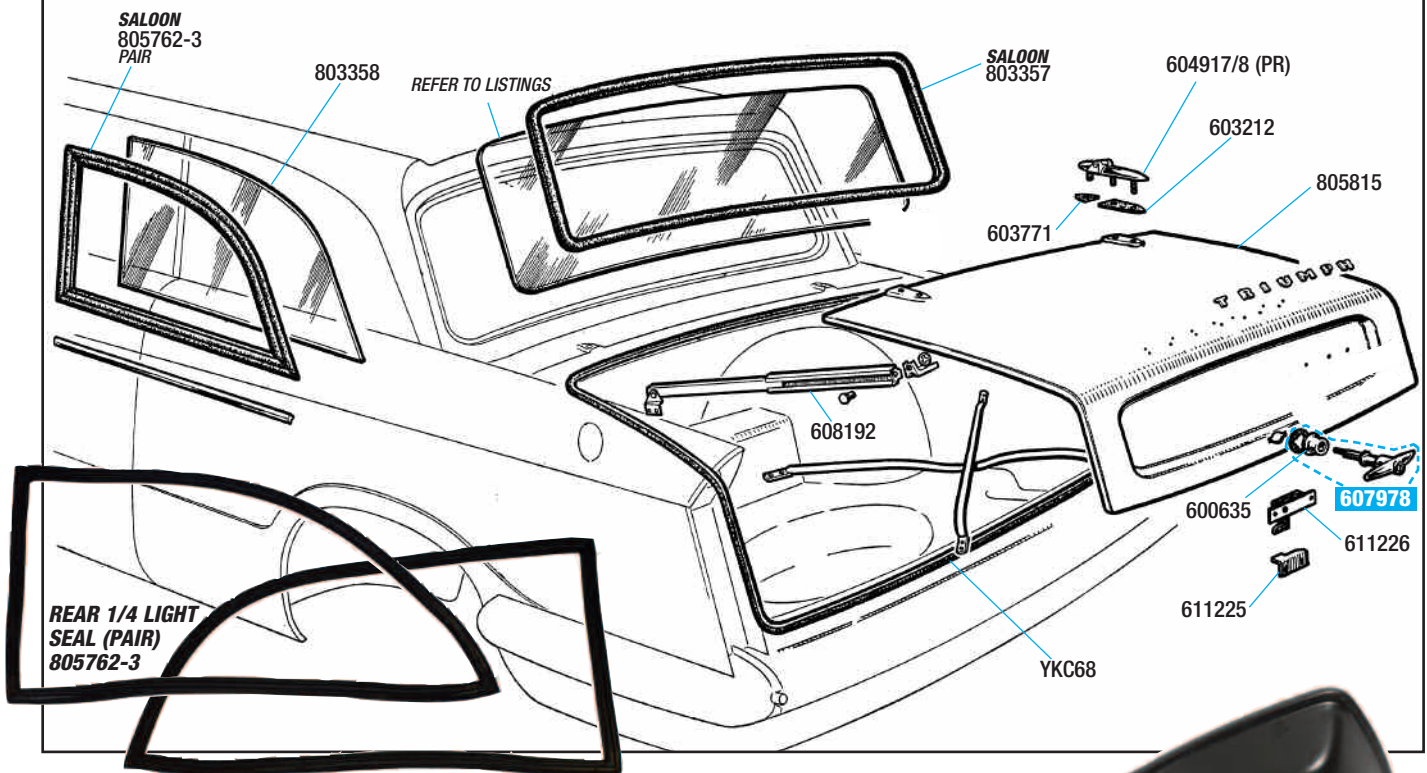
Door Glass & Controls

Drop Glass;		
Saloon	(2)	703956
Convertible	(2)	703795
Channel - Glass Lift;		
Right hand	(1)	703972
Left hand	(1)	703971
Glass Seating Strip	(2)	613417
<i>For glass lift channel.</i>		
Glass Waist Seal - Outer (cut to fit)	(2)	608278
Clip - Outer Seal	(16)	613869
Glass Waist Seal - Inner	(2)	608288
Clip - Inner Seal	(16)	GHF1582
Weatherstrip Clip Fitting Tool	(1)	RX1562
Front Channel (Drop Glass)	(2)	559474
<i>Flock material.</i>		
Cover Vent Top (Prevents draught)	(2)	609143
Rear Channel;		
Right hand	(1)	704564
Left hand	(1)	704563
Regulator - Drop Glass;		
Right hand	(1)	803077
Left hand	(1)	803076
Pivot Bolt (Regulator)	(2)	607841
Tie Rod (Glass Channel)	(2)	704643
Clip (Tie Rod)	(2)	608520
Reinforcer (Regulator pivot)	(2)	705881

Front 1/4 Light

Glass - Front 1/4 Light	(2)	704324
Seal - 1/4 Light (Pair)	(1)	803558/9
Frame - 1/4 Light;		
Right hand	(1)	508312
Left hand	(1)	508311
Glazing Strip	(2)	570228
Bracket (LH quarter light handle)	(1)	608637
"A" Post Seal	(2)	630755
Locking Handle Quarter Light;		
Right hand	(1)	608545
Left hand	(1)	608544



BOOT LID & SEALS**Boot Lid & Fittings**

Boot Lid	(1)	805815
Hinge Assy (Pair)	(1)	604917-8
Nut (Hinge to boot lid)	(4)	GHF200
Nut (Hinge to rear deck)	(2)	GHF222
Gasket (Hinge to boot lid)	(2)	603212
Gasket (Hinge to rear deck)	(2)	603771
Boot Seal	(1)	YKC68
Boot Lid Stay	(1)	608192
Handle Assy	(1)	607978
Barrel & Keys	(1)	557046
Escutcheon (Handle)	(1)	607978
Gasket	(1)	600949
Lock/Latch Assy	(1)	611226
Catchplate/Striker	(1)	611225
Boot Rack - 6 bar (Mille Miglia) Stainless Steel.	(1)	RX1330H-V

Rear Glass & Seals

Rear Windscreen;		
Saloon	(1)	803355
Saloon - Heated	(1)	571380
Rear/Side 1/4 Glass	(2)	803358
Sealing Rubber;		
Rear screen	(1)	803357
Rear/side glass (Pair)	(1)	805762-3
Seal - Rear Roof to Deck (Saloon)	(1)	611750



**STAINLESS STEEL
6 BAR BOOT RACK
RX1330H-V**



**'BULLET' STYLE
MIRROR GAM105**



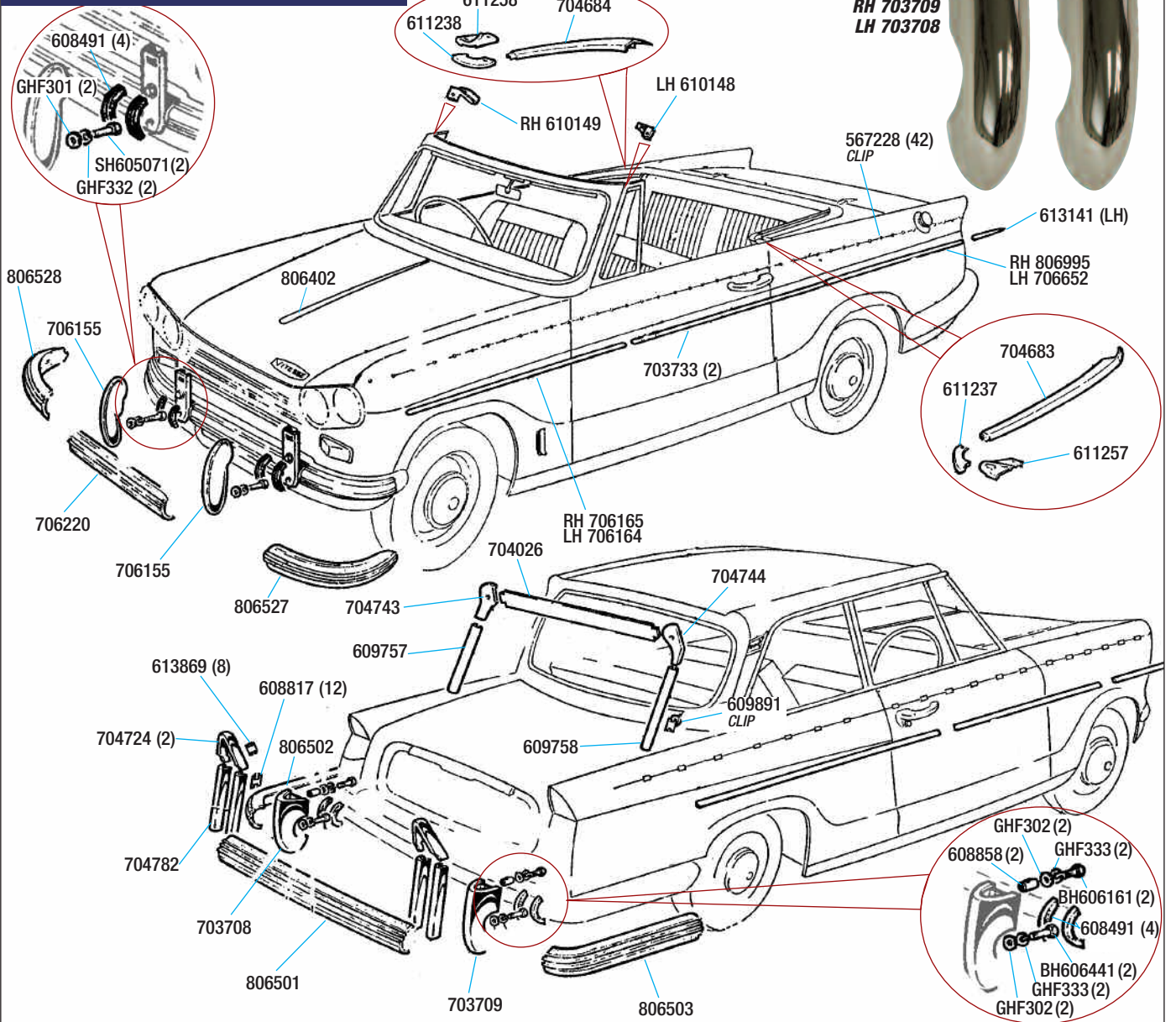
**DOOR
MIRRORS
IN CHROME
& BLACK**

**WING
MIRROR
HEADS
& ARM**

Mirrors

Rear View Mirror	(1)	612162
Door Mirror;		
Chrome (convex glass)		
RH	(1)	GAM211
LH	(1)	GAM212
Chrome (flat type glass)		
RH	(1)	GAM213
LH	(1)	GAM214
Black (flat type glass)		
RH	(1)	GAM261
LH	(1)	GAM262
'Bullet' Style (RH or LH)	(2)	GAM105
Wing Mirror (chrome);		
Arm only	(2)	RH5284
Mirror Head (rectangular)		
Flat Glass	(2)	RH5286
Convex Glass	(2)	RH5285
Mirror Head (round)		
Flat Glass	(2)	RH5288
Convex Glass	(2)	RH5287
Quarterlight Mirror	(2)	GAM115

BUMPERS & EXTERIOR TRIM



REAR OVERIDER
RH 703709
LH 703708

Bumpers & Overiders

Front Bumper (Anodised Aluminium);		
Centre	(1)	706220
Right Hand	(1)	806528
Left Hand	(1)	806527
Pop Rivet (Bumper attachment)	(a/r)	556141
Front Overider (RH or LH)	(2)	706155
Seating Strip-Black Overider mounting strip.	(4)	608491
Bolt - Overider	(2)	SH605071
Washer - Plain	(2)	GHF301
Washer - Locking	(2)	GHF332
Rear Bumper (Anodised Aluminium);		
Centre	(1)	806501
Right Hand	(1)	806503
Left Hand	(1)	806502
Pop Rivet (Bumper attachment)	(a/r)	556141
Rear Overider;		
Right Hand	(1)	703709
Left Hand	(1)	703708
Seating Strip-Black Overider mounting strip.	(4)	608491
Distance Piece	(2)	608858
Bolt - Upper Overider	(2)	BH606161
Washer - Plain	(2)	GHF302
Washer - Locking	(2)	GHF333
Bolt - Lower Overider	(2)	BH606441
Washer - Locking	(2)	GHF333
Washer - Plain	(2)	GHF302

Body Mouldings/Trim

Bonnet Top Moulding	(1)	806402
Clip (for 806402)	(5)	611504
Rivet (for 611504)	(5)	557922
Bonnet Front Moulding	(1)	706149
Clip (for 706149)	(9)	608817
Bonnet Corner Moulding;		
RH	(1)	706162
LH	(1)	706161
Screw - Corner Retaining	(2)	YZ3162
Front Wing Moulding;		
RH	(1)	706165
LH	(1)	706164
Door Moulding (RH & LH)	(2)	703733
Rear Wing Moulding;		
RH	(1)	806995V
LH (long)	(1)	706652V
LH (short)	(1)	613141
Clip - Side Mouldings	(42)	567228
Rear lamp Mouldings;		
Upper Horseshoe	(2)	704724
Lower Strip	(4)	704782
Clip (for 704724)	(8)	613869
Clip (for 704782)	(12)	608817
Front Grille;		
1600 & Mk1	(1)	806354
Mk2	(1)	814083
Headlamp Cover Trim	(2)	813703

Rear Roof/Screen Mouldings;		
Rear - Upper moulding	(1)	704026
Rear corner moulding		
RH	(1)	704744
LH	(1)	704743
Rear-Side Moulding		
RH	(1)	609758
LH	(1)	609757
Clip (for 704026)	(3)	FC2803
Clip (for side mouldings)	(6)	609891

Cappings

Convertibles Only		
'A' Post Capping (Door Seal);		
RH	(1)	610149
LH	(1)	610148
Retaining Screw	(2)	AB606039
'B' Post Capping;		
Front RH	(1)	611238
Front LH	(1)	611237
Rear RH	(1)	611258
Rear LH	(1)	611257
Finisher Squab (Rail);		
RH	(1)	704684
LH	(1)	704683

'A' POST CAPPINGS - 610149 (RH), 610148 (LH)



TRIUMPH

TRIUMPH
LETTER SET -
RL1402



TRIUMPH SHIELD
- 608380



TRIUMPH BADGE - 623822



OVERDRIVE BADGE - 622152

Badges

1600 Models

BONNET BADGES

'Triumph Shield' Badge	(1)	608380
'TRIUMPH' Letter Set	(1)	RL1402
Letter T	(1)	703862
Letter R	(1)	703863
Letter I	(1)	703864
Letter U	(1)	703865
Letter M	(1)	703866
Letter P	(1)	703867
Letter H	(1)	703868
Fastener (for all letters & badges) (a/r)		GHF1532
'BL' Badge - Blue	(2)	725525

Lower front wing (if required). Stick-on.

BOOT BADGES

'TRIUMPH' Letter Set	(1)	RL1402
Letter T	(1)	703862
Letter R	(1)	703863
Letter I	(1)	703864
Letter U	(1)	703865
Letter M	(1)	703866
Letter P	(1)	703867
Letter H	(1)	703868
'Vitesse' Badge	(1)	612190
'6' Badge	(1)	611899
'Overdrive' Scroll	(1)	603906
Fastener (letters & badges to boot) (22)		GHF1532

ROOF PILLAR BADGES

'Vitesse'		
RH (Up to body No HBD2855)	(1)	612166
LH (Up to body No HBD2855)	(1)	612165
'Triumph'		
RH (From body No HBD2856)	(1)	613294
LH (From body No HBD2856)	(1)	613293

DASHBOARD

'Vitesse' Name plate	(1)	612185
----------------------	-----	--------



VITESSE BADGE - 612190



VITESSE BADGE - 623819



VITESSE DASH NAME PLATE - 612185 (1600 MK1 2 LITRE)

2 litre Mk 1 Models

BONNET BADGES

'TRIUMPH' Letter Set	(1)	RL1402
Letter T	(1)	703862
Letter R	(1)	703863
Letter I	(1)	703864
Letter U	(1)	703865
Letter M	(1)	703866
Letter P	(1)	703867
Letter H	(1)	703868
'2 Litre' Badge	(2)	620126
Lower wing near bonnet catch.		
Fastener	(18)	GHF1532
For all letters and badges except 620396.		
'BL' Badge - Blue	(2)	725525
Lower front wing (if required). Stick-on.		
'2 Litre' Badge (front Grille)	(1)	620396
Spire clips (for front grille badge)	(2)	FC2803

BOOT BADGES

'TRIUMPH' Letter Set	(1)	RL1402
Letter T	(1)	703862
Letter R	(1)	703863
Letter I	(1)	703864
Letter U	(1)	703865
Letter M	(1)	703866
Letter P	(1)	703867
Letter H	(1)	703868
'Vitesse' Badge	(1)	612190
'2 Litre' Badge (rear of bootlid)	(1)	620126
'Overdrive' Badge	(1)	621074
Fastener (letters & badges to boot) (19)		GHF1532

ROOF PILLAR BADGES

'Triumph'		
RH	(1)	613294
LH	(1)	613293

DASHBOARD

'Vitesse' Name plate	(1)	612185
----------------------	-----	--------



'6' BADGE
- 611899

2 litre Mk 2 Models

BONNET BADGES

'Vitesse' Badge	(1)	623819
'MK 2' Badge	(2)	623827
Lower wing near bonnet catch.		
Fastener (for all letters and badges)	(6)	GHF1532
'BL' Badge - Blue	(2)	725525
Lower front wing (if required). Stick-on.		

BOOT BADGES

'Triumph' Badge	(1)	623822
'Vitesse' Badge	(1)	623901
Fits on numberplate light cowl.		
'Overdrive' Badge	(1)	622152
Fastener (letters & badges to boot)	(4)	GHF1532

ROOF PILLAR BADGES

'Triumph'		
RH	(1)	621853
LH	(1)	621852



2 LITRE BADGE -
620126



2 LITRE BADGE -
620396



MK2 BADGE
- 623827



BL BADGE - 725525
OPTIONAL



OVERDRIVE BADGE
- 621074



OVERDRIVE BADGE - 603906

INTERIOR TRIM RESTORATION

We have available a full range of interior trim (including carpets, door trim panels and headlining kits) for the Triumph Vitesse (both saloon & convertible), so at long last the owners of these Classic Triumphs can now restore and renovate their vehicles to a standard that has not been possible for many years.

Whether you are just wanting to replace a damaged board, re-trim a tired seat, replace worn carpets, or are contemplating a complete interior restoration project, from the following listings you will find the part, or kit, suitable for your needs and budget.

Complete Interior Re-trim Kits

RENOVATION OR COLOUR CHANGE!

If you are considering a complete re-trim of the interior of your Vitesse, we can supply a complete interior trim kit.

Ordering everything that is required for such a project could not be easier, all you have to do - from the list across - is identify your vehicle model, then choose the colour you require, and by quoting just one part number, you are assured that nothing has been missed. (our kits are so complete, once you have identified your model, you may even change the colour!)

WHAT DO OUR KITS CONTAIN ?

Although we do not include passenger area carpet sets in our interior trim kits, they are nonetheless very comprehensive, they even include the Boot trim.

You can use the following as a check list:

2 door trim panels and clips.

Trim for 2 front seats, plus, 2 base cushions, 2 base diaphragms and all necessary clips, 2 base foam wraps, 2 squab foam pads or squab kits (depending upon model), and 2 squab strap kits (where applicable).

Full rear seat trim kit (saloons & convertibles), plus, for saloons 1 seat base foam & 1 squab foam, and for convertibles 1 seat base foam & 1 squab horsehair pad.

For the dash area & footwells, 1 upper & 1 lower dash panel with clips, 1 dash 'sound' insulation kit, 1 securing strap kit (for insulation) and 2 front scuttle panels.

Rear 1/4 trim panels, or trim panel covering kit (depending upon model).

And for saloon models only, 1 headlining kit, covering material for both 'B' posts and 2 rear wheel arch covers.

For the boot our kits include; 2 boot floor 'sound' proofing panels, 1 spare wheel cover (black hardboard), 1 (Rh) side trim board, 1 boot floor hardura mat kit, 1 tool pouch (red), 1 jack/tool bag (black hardura), and for convertibles only, 1 boot to hood stowage board.

Our kits come with full fitting instructions.

WHAT MODELS DO WE HAVE KITS FOR ?

Our kits cover Vitesse 1600 Mk1, Vitesse Mk1 (2 Litre) & Mk2 (2 Litre), Saloon and Convertibles, we also have kits for both Rhd & Lhd models.

TRIM COLOURS AND STYLE

Our comprehensive range of trim boards and seat trim kits are as the original, both in colour and grain.

Although the Triumph Vitesse was produced with a varied selection of trim colours (inc Cactus, Phantom Grey and Coffee), we are only able to supply (for the foreseeable future), a limited colour range for the trim boards and seat trim, these being Black, Midnight Blue and Matador Red for the Vitesse Mk1 1600, and for the Vitesse 2 Litre (Mk1 & Mk2), Black, Shadow Blue, Matador Red and Light Tan.

Our moulded carpet sets and our stitched carpet sets are available in various colours, please refer to 'Carpets' section.

As an added service to our customers we offer a full seat re-trimming service (for those who don't wish to undertake this task !).

Please contact us for details.

Complete Interior Trim Kits

1600 Models

Complete Interior Trim Kits;

Saloon Models - (RHD)	
Black	(1) RV6074BLACK
Midnight Blue	(1) RV6074BLUE
Matador Red	(1) RV6074RED
Saloon Models - (LHD)	
Black	(1) RV6080BLACK
Midnight Blue	(1) RV6080BLUE
Matador Red	(1) RV6080RED
Convertible Models - (RHD)	
Black	(1) RV6056BLACK
Midnight Blue	(1) RV6056BLUE
Matador Red	(1) RV6056RED
Convertible Models - (LHD)	
Black	(1) RV6060BLACK
Midnight Blue	(1) RV6060BLUE
Matador Red	(1) RV6060RED

2 Litre Mk1 Models

Complete Interior Trim Kits;

Saloon Models - (RHD)	
Black	(1) RV6069BLACK
Shadow Blue	(1) RV6069BLUE
Matador Red	(1) RV6069RED
Light Tan	(1) RV6069TAN
Saloon Models - (LHD)	
Black	(1) RV6077BLACK
Shadow Blue	(1) RV6077BLUE
Matador Red	(1) RV6077RED
Light Tan	(1) RV6077TAN
Convertible Models - (RHD)	
Black	(1) RV6066BLACK
Shadow Blue	(1) RV6066BLUE
Matador Red	(1) RV6066RED
Light Tan	(1) RV6066TAN
Convertible Models - (LHD)	
Black	(1) RV6084BLACK
Shadow Blue	(1) RV6084BLUE
Matador Red	(1) RV6084RED
Light Tan	(1) RV6084TAN

2 Litre Mk2 Models

Complete Interior Trim Kits;

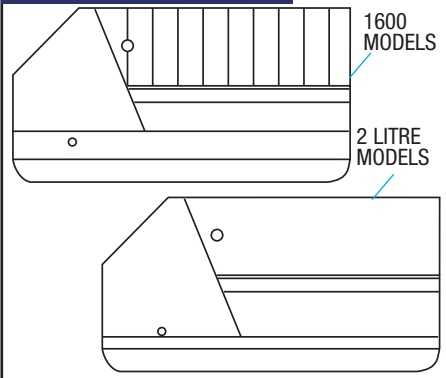
Saloon Models - (RHD)	
Black	(1) RV6082BLACK
Shadow Blue	(1) RV6082BLUE
Matador Red	(1) RV6082RED
Light Tan	(1) RV6082TAN
Saloon Models - (LHD)	
Black	(1) RV6058BLACK
Shadow Blue	(1) RV6058BLUE
Matador Red	(1) RV6058RED
Light Tan	(1) RV6058TAN
Convertible Models - (RHD)	
Black	(1) RV6071BLACK
Shadow Blue	(1) RV6071BLUE
Matador Red	(1) RV6071RED
Light Tan	(1) RV6071TAN
Convertible Models - (LHD)	
Black	(1) RV6089BLACK
Shadow Blue	(1) RV6089BLUE
Matador Red	(1) RV6089RED
Light Tan	(1) RV6089TAN



**DOOR TRIM
PANELS FOR
ALL MODELS**



DOOR TRIM PANELS



1600
MODELS

2 LITRE
MODELS

Door Trim Panels

Note:- Door panels are only supplied in pairs.

1600 Models

Trim has Vertical & Horizontal flutes with pocket.

Door Trim panels (Pair)

Black	(1)	RV6035BLACK
Midnight Blue	(1)	RV6035BLUE
Matador Red	(1)	RV6035RED

Door Trim Clip;

Each	(44)	608511
Kit (per car, 44 clips)	(1)	RH5127

Clip Retainer (Plastic)

(44)	613769
------	---------------

Fits in door.

All 2 Litre Models

Trim has only Horizontal flutes with pocket.

Door Trim panels (Pair)

Black	(1)	RV6042BLACK
Shadow Blue	(1)	RV6042BLUE
Matador Red	(1)	RV6042RED
Light Tan	(1)	RV6042TAN

Door Trim Clip;

Each	(44)	608511
Kit (per car, 44 clips)	(1)	RH5127

Clip Retainer (Plastic)

(44)	613769
------	---------------

Fits in door.

Door Kick Plate

Door Kick Plate	(2)	806598
Fixing Screw	(14)	518368

Door Aperture Seals

Door Aperture Seal (all models);

Saloon Models (furflex)

Black	(2)	RX3004BLACK
Blue	(2)	RX3004BLUE
Red	(2)	RX3004RED
Tan	(2)	RX3004TAN
Beige	(2)	RX3004BEIGE
Chestnut	(2)	RX3004CHESTNUT

Convertible Models

Black	(2)	RX3002BLACK
Blue	(2)	RX3002BLUE
Red	(2)	RX3002RED
Tan	(2)	RX3002TAN
Beige	(2)	RX3002BEIGE
Chestnut	(2)	RX3002CHESTNUT



**FURFLEX DOOR
APERTURE SEAL**

Dash Fittings

'Vitesse' Nameplate

(1) 612185

1600 & 2 Litre MK1 only.

Vitesse

**VITESSE DASH NAME PLATE -
612185 (1600 MK1 2 LITRE)**



Front Seat Identification & Construction

SEAT IDENTIFICATION

The following listings and descriptions for the Vitesse seats, are technically correct, and they are described as originally specified by the factory, prior to vehicle production. However, it is quite possible that the seat(s) fitted in your vehicle do not correspond with either our descriptions, or that in the Triumph parts lists. There were many overlaps of the various models (Herald & Vitesse) on the production line, couple this with model changes, and the lack of (the correct) finished items on the assembly line, and this has led us to believe that an unknown quantity of vehicles left the factory with the incorrect specification seats/trim fitted. Not to mention that the previous owner(s) may, at some time, have changed the seats themselves !

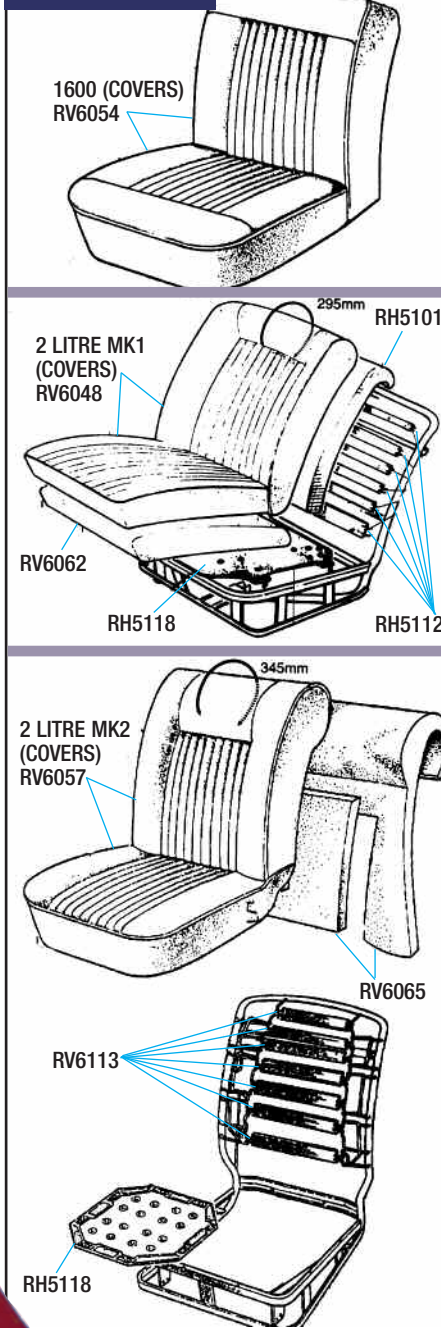
SEAT CONSTRUCTION

The internal construction of the front seats for the Mk1 Vitesse 1600 differ from the other models in that they were produced with a squab 'spring frame', which was originally covered in cotton wadding. This material has proved difficult to obtain, so for these models we now supply a special 'Squab Foam Pad' which replaces the 'spring-frame', and apart from being easier to fit, the foam pad is indistinguishable from the original both in looks and comfort.

40 YEARS OLD!

If you have decided to re-trim your seats, may we suggest that before ordering the kit of your choice, you inspect very carefully all the seat components to ensure that all is well, including the base foams and diaphragms (if they are old and mishaped, they wont really compliment your new trim), which after possibly 40 years of use, could be very tired.

FRONT SEAT RE-TRIM KITS



SEAT TRIM COVERS FOR ALL MODELS

STATIC FRONT SEAT BELT KIT - 565722

INERTIA FRONT SEAT BELT KIT RH5159

Front Seats & Re-Trim Kits

Please note front seat re-trim kits are supplied in car sets only.

1600 Models

1600 trim has welded seams

Front Seat Trim Kit;

Kit inc 2 cushions & 2 squab covers

- Black (1) **RV6054BLACK**
- Midnight Blue (1) **RV6054BLUE**
- Matador Red (1) **RV6054RED**

Squab padding kit (2) **RH5129**

Kit is per seat and inc back board, squab Foam pad, top wadding & instructions.

Base foam pad (cushion) (2) **RH5156**

Diaphragm (2) **RH5118**

Foam Wrap (seat frame) (2) **RH5125**

'C' Clip Pack (1 pack of 2 per seat) (2) **RH5154**

Seat Clips Pack (2) **RH5142**

1 pack of 20 per seat.

2 Litre Mk1 Models

MK1 (2 Litre) trim has stitched seams.

Front Seat Trim Kit;

Kit inc 2 cushions & 2 squab covers

- Black (1) **RV6048BLACK**

- Shadow Blue (1) **RV6048BLUE**

- Matador Red (1) **RV6048RED**

- Light Tan (1) **RV6048TAN**

Squab Foam Pad (2) **RH5101**

Squab Strap Kit (set of 6 straps) (2) **RH5112**

Base foam pad (cushion) (2) **RV6062**

Diaphragm (2) **RH5118**

Foam Wrap (seat frame) (2) **RH5125**

'C' Clip Pack (1 pack of 2 per seat) (2) **RH5154**

Seat Clips Pack (2) **RH5142**

1 pack of 20 per seat.

2 Litre Mk2 Models

MK2 (2 Litre) trim has stitched seams.

Front Seat Trim Kit;

Kit inc 2 cushions & 2 squab covers.

- Black (1) **RV6057BLACK**

- Shadow Blue (1) **RV6057BLUE**

- Matador Red (1) **RV6057RED**

- Light Tan (1) **RV6057TAN**

Squab Foam Pad only* (2) **RV6065**

Squab Strap Kit only* (2) **RV6019**

*Not required if purchasing RV6113.

Squab Foam & Strap Conversion Kit (2) **RV6113**

Includes squab foam pad & straps.

Use if squab wires are perished as NLA.

Base foam pad (cushion) (2) **RV6062**

Diaphragm (2) **RH5118**

Foam Wrap (seat frame) (2) **RH5125**

'C' Clip Pack (1 pack of 2 per seat) (2) **RH5154**

Seat Clips Pack (2) **RH5142**

1 pack of 20 per seat.



Seat Belts

Front Seat Belt Kit (3-point);

Saloon

Static (per seat) (2) **565722**

Inertia (per seat) (2) **RH5159**

Convertible

Static (per seat) (2) **RH5221**

Inertia (per seat) (2) **RB7355SA**

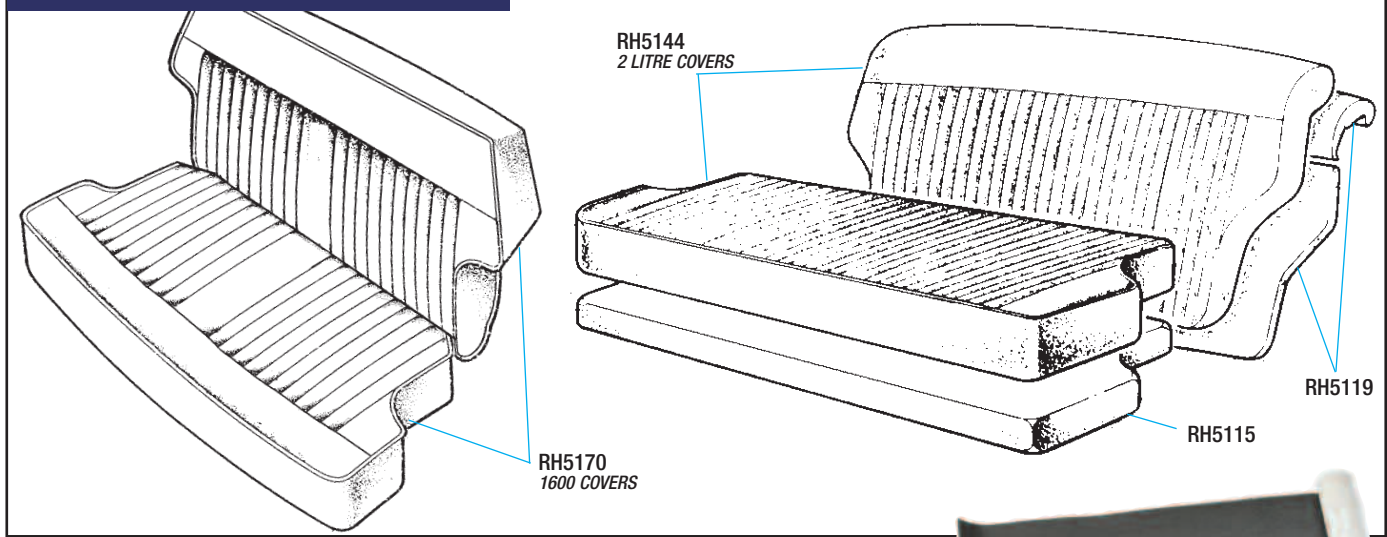
Seat Adjusting Block (4) **608759**

Anchor Plate (Belt) (if required) (2) **621271**

Rear Seat Belt Kit (2-point) (1) **RS1394**

Lap belt, per car (pair).

SALOON REAR SEAT RE-TRIM KITS



Rear Seat Re-Trim Kits Saloon

Note; Rear seat re-trim kits are supplied in car sets only.

1600 Saloon Models

1600 trim has welded seams.

Rear Seat Trim Kit;

Kit inc 1 cushion & 1 squab cover

Black	(1)	RH5170BLACK
Midnight Blue	(1)	RH5170BLUE
Matador Red	(1)	RH5170RED
Squab Foam Pad	(1)	RH5119
Base Foam pad (Cushion)	(1)	RH5115

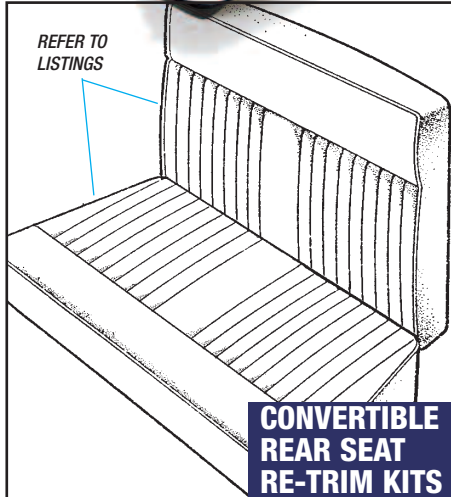
2 Litre Mk1 & Mk2 Saloon Models

MK1 & MK2 2 Litre trim has stitched seams.

Rear Seat Trim Kit;

Kit inc 1 cushion & 1 squab cover

Black	(1)	RH5144BLACK
Shadow Blue	(1)	RH5144BLUE
Matador Red	(1)	RH5144RED
Light Tan	(1)	RH5144TAN
Squab Foam Pad	(1)	RH5119
Base Foam pad (Cushion)	(1)	RH5115



Rear Seat & Re-Trim Kits Convertible

Note; Rear seat re-trim kits are supplied in car sets only.

1600 Convertible Models

1600 trim has welded seams.

Rear Seat Trim Kit;

Kit inc 1 cushion & 1 squab cover

Black	(1)	RH5139BLACK
Midnight Blue	(1)	RH5139BLUE
Matador Red	(1)	RH5139RED
Backboard (Squab)	(1)	RH5150
Horsehair Squab pad	(1)	RH5151
Base Foam pad (Cushion)	(1)	RH5152
Base Spring Frame Assy	(1)	RH5153

Complete Squab Assy (Ready to fit);

Black	(1)	RH5164BLACK
Midnight Blue	(1)	RH5164BLUE
Matador Red	(1)	RH5164RED

Complete Seat Base Assy (Ready to fit);

Black	(1)	RH5173BLACK
Midnight Blue	(1)	RH5173BLUE
Matador Red	(1)	RH5173RED

2 Litre Mk1 & Mk2 Convertible Models

MK1 & MK2 (2 Litre) Convertible trim has stitched seams.

Rear Seat Trim Kit;

Kit inc 1 cushion & 1 squab cover.

Black	(1)	RV6028BLACK
Shadow Blue	(1)	RV6028BLUE
Matador Red	(1)	RV6028RED
Light Tan	(1)	RV6028TAN
Backboard (Squab)	(1)	RH5150
Horsehair Squab pad	(1)	RH5151
Base Foam pad (Cushion)	(1)	RH5152
Base Spring Frame Assy	(1)	RH5153

Complete Squab Assy (Ready to fit);

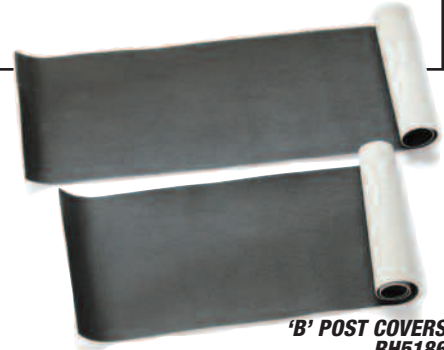
Black	(1)	RV6022BLACK
Shadow Blue	(1)	RV6022BLUE
Matador Red	(1)	RV6022RED
Light Tan	(1)	RV6022TAN

Complete Seat Base Assy (Ready to fit);

Black	(1)	RH5199BLACK
Shadow Blue	(1)	RH5199BLUE
Matador Red	(1)	RH5199RED
Light Tan	(1)	RH5199TAN

Sound Proofing Panels

Dash Sound Insulation Kit	(1)	RH5213
Carpet Underfelt Kit	(1)	RH5065
<i>Not required with moulded carpets</i>		
Sound Proofing Pad Kit	(1)	RH5204
<i>Set of 4 self adhesive sound proofing pads (200mm x 150mm) for use on inside of body panels etc to reduce resonance.</i>		
Sound Proofing Pad (each)	(a/r)	RB7145
<i>200mm x 150mm.</i>		



'B' Post Trim Cover

Saloon models only.

Note; 'B' Post Trim is supplied per vehicle.

Trim Cover Material;

1600

Black	(1)	RH5186BLACK
Midnight Blue	(1)	RH5186BLUEMID
Shadow Blue	(1)	RH5186BLUESHAD
Matador Red	(1)	RH5186RED
MK1 & MK2 2 Litre		
Black	(1)	RH5186BLACK
Midnight Blue	(1)	RH5186BLUEMID
Shadow Blue	(1)	RH5186BLUESHAD
Matador Red	(1)	RH5186RED
Light Tan	(1)	RH5186TAN



Rear Wheel Arch Covers

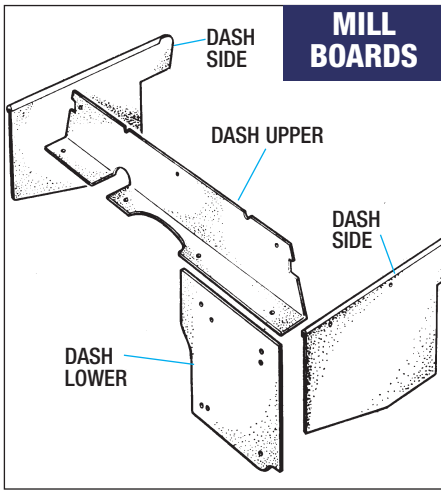
Saloon models only.

Rear Wheel Arch Covers;

Supplied as pairs only.

1600

Black	(1)	RH5205BLACK
Midnight Blue	(1)	RH5205BLUEMID
Shadow Blue	(1)	RH5205BLUESHAD
Matador Red	(1)	RH5205RED
MK1 & MK2 2Litre		
Black	(1)	RH5205BLACK
Midnight Blue	(1)	RH5205BLUEMID
Shadow Blue	(1)	RH5205BLUESHAD
Matador Red	(1)	RH5205RED



MILL BOARDS

Lower Dash & Scuttle (Mill Boards)

Panel - Dash Upper;		
RHD (Inc clips)	(1)	RH5195
LHD (Inc clips)	(1)	RH5203
Panel - Dash Lower;		
RHD (Inc clips)	(1)	RH5208
LHD (Inc clips)	(1)	RH5183
Sound Insulation Kit (Dash)	(1)	RH5213
Securing Strap Kit	(1)	RH5218

Original Lower insulation retainer.

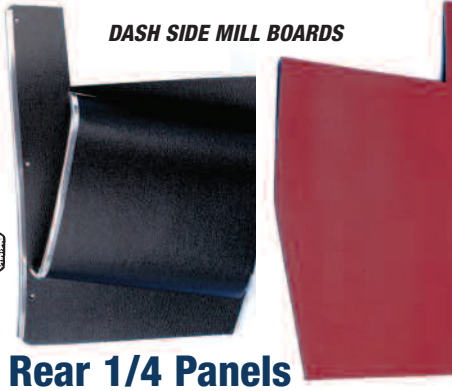
Dash Side/Scuttle;

Right Hand Drive Vehicles

1600 - Drivers Side		
Black	(1)	RH5167BLACK
Midnight Blue	(1)	RH5167BLUEMID
Matador Red	(1)	RH5167RED
MK1 & MK2 2 Litre - Drivers Side		
Black	(1)	RH5167BLACK
Shadow Blue	(1)	RH5167BLUESHAD
Matador Red	(1)	RH5167RED
Light Tan	(1)	RH5167TAN
1600 - Passenger Side (with pocket)		
Black	(1)	RH5176BLACK
Midnight Blue	(1)	RH5176BLUEMID
Matador Red	(1)	RH5176RED
MK1 & MK2 2 Litre - Passenger Side		
With pocket.		
Black	(1)	RH5176BLACK
Shadow Blue	(1)	RH5176BLUESHAD
Matador Red	(1)	RH5176RED
Light Tan	(1)	RH5176TAN

Left Hand Drive Vehicles

1600 - Passenger Side (with pocket)		
Black	(1)	RH5196BLACK
Midnight Blue	(1)	RH5196BLUEMID
Matador Red	(1)	RH5196RED
MK1 & MK2 2 Litre - Passenger Side		
With pocket.		
Black	(1)	RH5196BLACK
Shadow Blue	(1)	RH5196BLUESHAD
Matador Red	(1)	RH5196RED
Light Tan	(1)	RH5196TAN
1600 - Drivers Side		
Black	(1)	RH5228BLACK
Midnight Blue	(1)	RH5228BLUEMID
Matador Red	(1)	RH5228RED
MK1 & MK2 2 Litre - Drivers Side		
Black	(1)	RH5228BLACK
Shadow Blue	(1)	RH5228BLUESHAD
Matador Red	(1)	RH5228RED
Light Tan	(1)	RH5228TAN



DASH SIDE MILL BOARDS

Rear 1/4 Panels

Rear 1/4 Panels - SALOON (Supplied as pairs only);

1600		
Black	(1)	RH5231BLACK
Midnight Blue	(1)	RH5231BLUE
Matador Red	(1)	RH5231RED
2 Litre Mk1		
Black	(1)	RV6016BLACK
Shadow Blue	(1)	RV6016BLUE
Matador Red	(1)	RV6016RED
Light Tan		RV6016TAN
2 Litre Mk2		
Black	(1)	RH5219BLACK
Shadow Blue	(1)	RH5219BLUE
Matador Red	(1)	RH5219RED
Light Tan	(1)	RH5219TAN

Trim Clip;

Kit (Kit is per car & inc 18 clips)	(1)	RH5236
Each	(18)	608511
Trim Clip Retainer (plastic)	(18)	613769

Fits in door.

Rear 1/4 Panels - CONVERTIBLE (Supplied as pairs only);

1600		
Black	(1)	RH5225BLACK
Midnight Blue	(1)	RH5225BLUE
Matador Red	(1)	RH5225RED
2 Litre Mk1 & Mk2		
Black	(1)	RV6025BLACK
Shadow Blue	(1)	RV6025BLUE
Matador Red	(1)	RV6025RED
Light Tan		RV6025TAN

Trim Clip;

Kit (Kit is per car & inc 18 clips)	(1)	RH5236
Each	(18)	608511
Trim Clip Retainer (plastic)	(18)	613769

Fits in door.

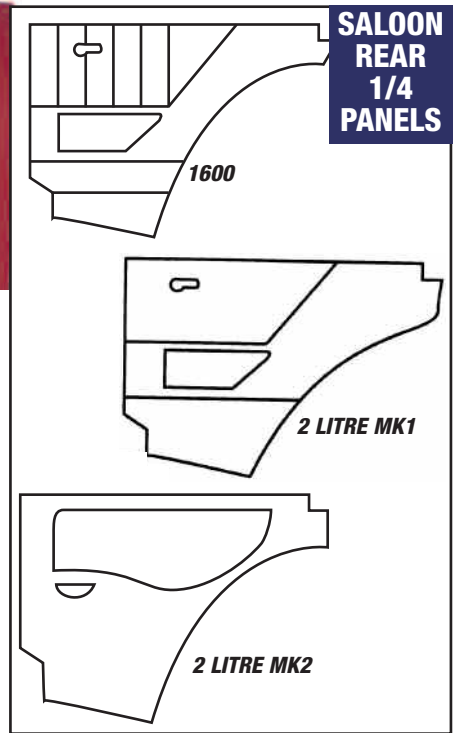
Headlining

Headlining Kit (saloon only)	(1)	RH5241
------------------------------	-----	---------------

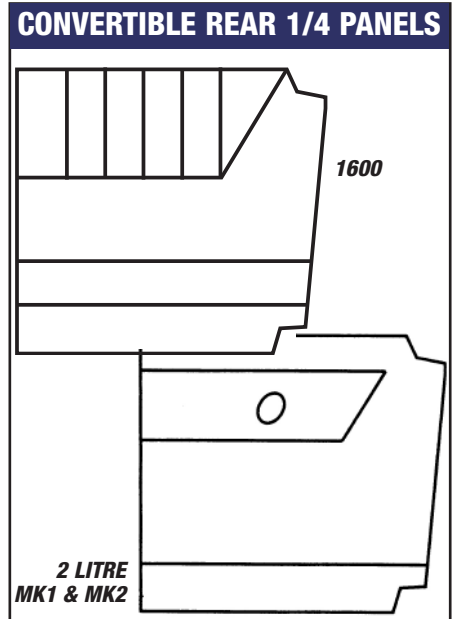
Fasteners & Fixing Clips

Door Trim Clip Kit (per car, 44 clips)	(1)	RH5127
'C' Clip Pack (1 pack of 2 per seat)	(1)	RH5154
Seat Clips Pack (1 pack of 20 per seat)	(1)	RH5142
Rear 1/4 Trim Clip Kit	(1)	RH5236
Kit is per car & inc 18 clips.		
Screw & Cup Washer Pack	(1)	RH5249
General purpose fixings, 20 screws & washers.		
Trim Clip;		
Kit (Kit is per car & inc 18 clips)	(a/r)	RH5236
Each	(a/r)	608511
Trim Clip Retainer (plastic)	(a/r)	613769

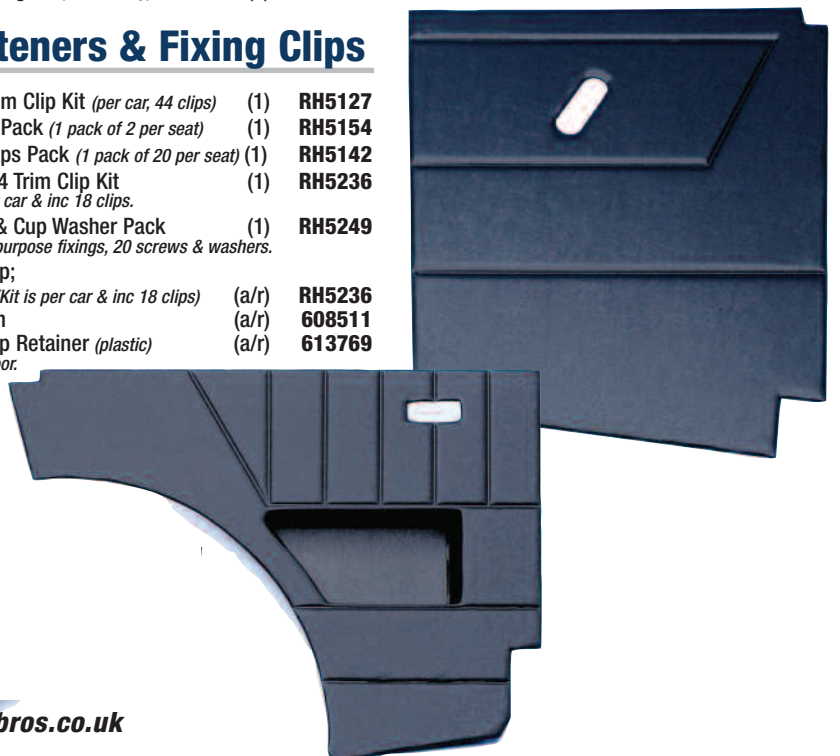
Fits in door.



SALOON REAR 1/4 PANELS



CONVERTIBLE REAR 1/4 PANELS



CARPET SETS

MOULDED CARPETS

Our moulded carpet sets (which are felt backed) include both front footwells, carpet for the transmission tunnel, full rear passenger area carpet, and bulkhead (heel) mat. The front footwell carpets have been designed to ensure a perfect fit (unlike the originals which worked loose!), and the drivers carpet has a heel mat fitted. The transmission tunnel carpet has been cut to provide a 'snug fit', and comes supplied with 2 pieces of loose felt (for the sides of the tunnel). The rear carpet section, although very complex, will mould into shape as you fit it, this is due to the material (carpet & felt) from which it is manufactured. Finally, the bulkhead (heel) mat is again tailor-made for a trouble free fit. Our moulded carpet kits are supplied in a range of colours.

STITCHED CARPETS

Our stitched carpet sets also include front footwell carpets (with drivers heel pad), transmission tunnel and rear passenger area carpet, and a bulkhead (heel) mat. They are made from a high quality tufted pile material, with fully bound edges and sewn in footwell mats. Our stitched carpet kits are supplied in a range of colours.



MOULDED CARPET SET



STITCHED CARPET SET

Carpet Sets

All Models

Please note carpets are only supplied in vehicle sets.
Suitable for Saloon & Convertible.

Moulded Carpet Set - RHD;

Black	(1)	RV6052BLACK
Green	(1)	RV6052GREEN
Blue	(1)	RV6052BLUE
Red	(1)	RV6052RED
Biscuit	(1)	RV6052BISCUIT
Grey	(1)	RV6052GREY

Moulded Carpet Set - LHD;

Black	(1)	RV6053BLACK
Green	(1)	RV6053GREEN
Blue	(1)	RV6053BLUE
Red	(1)	RV6053RED
Biscuit	(1)	RV6053BISCUIT
Grey	(1)	RV6053GREY

Stitched Carpet Set - RHD;

Black	(1)	RV6037BLACK
Beige	(1)	RV6037BEIGE
Blue (Dark)	(1)	RV6037BLUE
Blue (Shadow)	(1)	RV6037BLUESHAD
Brown	(1)	RV6037BROWN
Green	(1)	RV6037GREEN
Red	(1)	RV6037RED

Stitched Carpet Set - LHD;

Black	(1)	RV6091BLACK
Beige	(1)	RV6091BEIGE
Blue (Dark)	(1)	RV6091BLUE
Blue (Shadow)	(1)	RV6091BLUESHAD
Brown	(1)	RV6091BROWN
Green	(1)	RV6091GREEN
Red	(1)	RV6091RED

Carpet Underfelt Kit

Not required with moulded carpet sets.

Overmat Set (Front & Rear)	(1)	RV6075
----------------------------	-----	--------

Fits RHD or LHD vehicles.



OVERMAT SET - RV6075

DESCRIPTION QTY REQ. PART No. DESCRIPTION QTY REQ. PART No. DESCRIPTION QTY REQ. PART No.

**BOOT
CARPET KIT -
SALOON
RH5148**
ALSO
AVAILABLE IN
HARDURA



**DOOR MIRRORS
IN CHROME & BLACK**

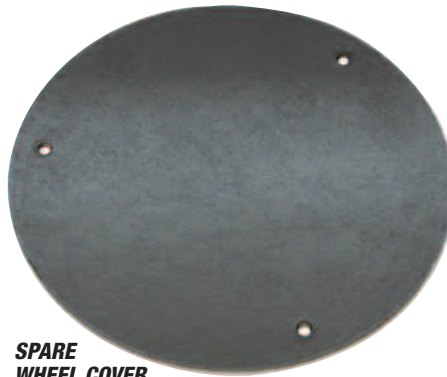


**WING
MIRROR
HEADS
& ARM**

Boot Carpet & Fittings

Boot Carpet Kit (alternative to Hardura);
Kit includes carpet, 6 fasteners and webbing for jack.

Saloon	(1)	RH5148
Convertible	(1)	RH5149
Boot Mat Kit (Hardura, alternative to carpet);		
Saloon	(1)	RH5130
Convertible	(1)	RH5131
Spare Wheel Cover	(1)	RH5155
<i>Black hardboard.</i>		
Side Trim Board (RH)	(1)	RH5211
Hood Stowage to Boot Board	(1)	RH5215
<i>Convertible.</i>		
Sound Proofing Pad	(a/r)	RB7145
<i>200mm x 150mm self adhesive.</i>		
<i>Sound proofing pad for use on inside of body panels etc.</i>		
Tool Pouch (Red)	(1)	RH5214
Tool Bag (for jack etc)	(1)	725793
Scissor Jack & Handel	(1)	311346
Wheel Nut Brace	(1)	21A2818



**SPARE
WHEEL COVER
RH5155**



**SIDE TRIM
BOARD (RH)
RH5211**



**TOOL BAG
725793**

**TOOL
POUCH
RH5214**



HOOD STOWAGE TO BOOT BOARD - RH5215

Mirrors

Rear View Mirror	(1)	612162
Door Mirror;		
Chrome (Convex Glass)		
RH	(1)	GAM211
LH	(1)	GAM212
Chrome (Flat Glass Type)		
RH	(1)	GAM213
LH	(1)	GAM214
Black (Flat Glass Type)		
RH	(1)	GAM261
LH	(1)	GAM262
'Bullet' Style (RH or LH)	(2)	GAM105
Wing Mirror (Chrome);		
Arm only		
(2)		RH5284
Mirror head (Retangular)		
Flat Glass	(2)	RH5286
Convex Glass	(2)	RH5285
Mirror Head (Round)		
Flat Glass	(2)	RH5288
Convex Glass	(2)	RH5287
Quarterlight Mirror	(2)	GAM115



**'BULLET' STYLE
MIRROR GAM105**



DESCRIPTION

QTY REQ.

PART No.

DESCRIPTION

QTY REQ.

PART No.

DESCRIPTION

QTY REQ.

PART No.

**STATIC FRONT SEAT BELT KIT
565722****INERTIA FRONT
SEAT BELT KIT
RH5159****Seat Belts**

Front Seat Belt Kit (3-point);

Saloon

Static (per seat)	(2)	565722
Inertia (per seat)	(2)	RH5159

Convertible

Static (per seat)	(2)	RH5221
Inertia (per seat)	(2)	RB7355SA

Seat Adjusting Block

	(4)	608759
--	-----	---------------

Anchor Plate (Belt) (if required)

	(2)	621271
--	-----	---------------

Rear Seat Belt Kit (2-point)

	(1)	RS1394
--	-----	---------------

Lap belt, per car (pair).

**REAR LAP SEAT
BELT KIT (PAIR)
RS1394****Hood Covers**

See page 69 for Hood Care products.

Hood Cover (PVC);

Heavy Duty Black (as original)	(1)	705737OE
Standard PVC Black	(1)	705737ALT

Hood Cover (PVC-Everflex);

Top Quality PVC, available in a choice of colours.

Blue	(1)	705737BLUE
Beige	(1)	705737BEIGE
White	(1)	705737WHITE
Tan	(1)	705737TAN

Hood Cover (Double Duck);

Black Canvas	(1)	705737DUCK
--------------	-----	-------------------

Hood Cover (Mohair) (with lining);

Black	(1)	705737MOHBLACK
Beige	(1)	705737MOHBEIGE
Blue	(1)	705737MOHBLUE
Brown	(1)	705737MOHBROWN

**Hood Seals**

Weather Strip Retainer;

Front (above windscreen)	(1)	704418
Front side	(2)	609333
Rear side	(2)	609334
B post	(2)	704463

Seals - Hood Sides (Pair)

	(2)	609340
--	-----	---------------

Seal - Hood Front

	(1)	609366
--	-----	---------------

To top of windscreen.

Finisher - Roof Header (Black)

	(1)	609602
--	-----	---------------

Hood Clamp (on windscreen)

	(2)	609332
--	-----	---------------

Hood Clamp (on header rail)

	(2)	609331
--	-----	---------------

Screw (for clamp)

	(8)	CMP308
--	-----	---------------

Hood Storage Covers

Hood Storage Cover;

PVC

Black	(1)	609699
-------	-----	---------------

Beige	(1)	609699BEIGE
-------	-----	--------------------

White	(1)	609699WHITE
-------	-----	--------------------

Double Duck	(1)	609699DUCK
-------------	-----	-------------------

Canvas, black only.

Mohair	(1)	609699MOH
--------	-----	------------------

Canvas with lining. Available in black or beige.

**HOOD STORAGE
COVER - 609699****Hood Fasteners**

Hood Popper Kit

Contains 12 hood poppers (male/female)

body Studs & rivets.

Hood Popper;	(1)	RH5143
--------------	-----	---------------

Male

Fits On the outside of the hood.

Black	(12)	ZKC751
-------	------	---------------

Chrome	(12)	ZKC751C
--------	------	----------------

Female	(12)	713501
--------	------	---------------

Fits on the inside of the hood.

Body Stud (fits on the bodywork)	(12)	713511
----------------------------------	------	---------------

Rivet (for use with 713511)	(12)	713531
-----------------------------	------	---------------

Hood Popper Fixing Tool	(1)	RX1342
-------------------------	-----	---------------

Screw (Hood retaining strip rear lower)	(12)	509688
---	------	---------------

Nut (for above)	(12)	519989
-----------------	------	---------------

Eyelet Tool (Tonneau)	(1)	RX1384
-----------------------	-----	---------------

Sail Eyelet (Tonneau);

Male	(4)	618177
------	-----	---------------

Washer	(4)	618178
--------	-----	---------------

Tonneau Fixing Peg/Bracket (Dash Top);

Popper type - see photo.

Outer	(6)	610125
-------	-----	---------------

Centre	(1)	610124
--------	-----	---------------

Tonneau Covers

Tonneau Cover (Black PVC);

RHD	(1)	562920
-----	-----	---------------

LHD	(1)	562919
-----	-----	---------------

Tonneau Cover Fixing Kit	(1)	RH5360
--------------------------	-----	---------------

Contains fixing studs and brackets

to fit cover to dash top. Popper type.

**TONNEAU COVER
FIXING KIT - RH5360****Wind Deflector -
Convertible**

Wind Deflector	(1)	RH5297
----------------	-----	---------------

Perspex screen. Fits behind front seats.

Stops wind buffeting.

WIND DEFLECTOR - RH5297ORDER ON: 01522 568000 / www.rimmerbros.co.uk

ENGINE

OIL COOLER KIT

FIT AN OIL COOLER KIT FOR PEACE OF MIND.



Kits include oil cooler radiator, fitting kit, filter adaptor, hoses & fittings, but not thermostat.

Engine Oil Cooler Kit RR1296

Note: also converts to spin-on type oil filter.

Thermostat (Engine oil cooler) RS1456
Not included in oil cooler kit.

K&N AIR FILTERS



These units replace the existing air cleaner box and improve engine breathing - they look good too!

Don't forget to order cleaning and re-oiling fluids. Note: Carb needles may require changing depending upon application.

K&N Filters (Stromberg 150CD);
Pair **RM8230**
Each **RL1575**
Cleaning Fluid (K&N) (1 Litre) RX1346
Element Oil (Use after cleaning);
29.58ml Sachet **RX1347**
250ml Bottle **RX1348**
400ml Aerosol **RX1349**
Carb Needle (each) **514976**
Mk1/2. 2 Litre. Use when K&N & Tubular Manifold fitted.

OIL PRESSURE GAUGE & OIL PRESSURE/WATER GAUGE



YOU CAN EITHER GUESS YOUR OIL PRESSURE – OR FIT ONE OF OUR KITS.

Oil Pressure Gauge Kit RX1351/O
Includes gauge pipe etc.
Oil Pressure and Water Temperature Gauge Kit RX1351/OW
Includes gauge pipe etc.
Bracket (for remote mounting of gauge) RB7050

Adaptor; Oil Pipe to Block 143943
temp sender to water pump housing 11K2846
Washer - Copper (for adaptor 11K2846) AED172
"T" Piece RX1352
Required when fitting oil pressure gauge kit if retaining low pressure warning light.

ALLOY ROCKER COVER



Alloy Rocker Cover; Alloy finish TKC378A
Black (Crackle finish) TKC378AP

SPIN-ON FILTER CONVERSION



Recommended for all owners!
This converts the standard 'Bowl' & element oil filter to the more efficient 'Spin-on' cartridge type. It makes filter changing easier (& cleaner) and prevents oil draining back into the sump thus avoiding the 'start-up rattle'.

Adaptor only (Spin-on oil filter); vehicle without Oil cooler RR1238
vehicle with Oil cooler fitted RR1275
Oil filter cartridge only RR1243
Service kit (O' rings) (For adaptor) RR1238SK

ROCKER FEED KIT - ALL MODELS



ROCKER OIL FEED KIT

Excessive rocker shaft wear is a classic complaint about the Triumph push rod engines. The external rocker feed kit is an effective and easy to fit solution to the problem. It works by piping oil from a plug hole in the cylinder block main oil gallery up to the cylinder head, thereby maintaining a higher oil flow than standard. No drilling or tapping is required for installation. The kit is so good, it looks as though it should always have been there!

EXTERNAL ROCKER FEED KIT

ALL MODELS

RR1340

The Rocker Feed Kit and Oil Consumption

When the supplementary oil feed to the rocker gear is fitted, an increase in oil consumption is often encountered. This is attributed to oil being drawn down worn valve guides. The extra amount of lubricating oil flowing through the valve and rocker chamber, as supplied by the feed kit, exaggerates any tendency for oil to be sucked down worn valve guides past worn valve stems. The best solution is to fit new valves and guides, but this is not always on the top of the repair priority list. To assist in the reduction of oil being sucked down the guides a method of valve stem oil seal is required. We offer the simple do-nut rubber ring that is used so successfully on MG sports cars. Its part number is AEK113, one per valve stem.

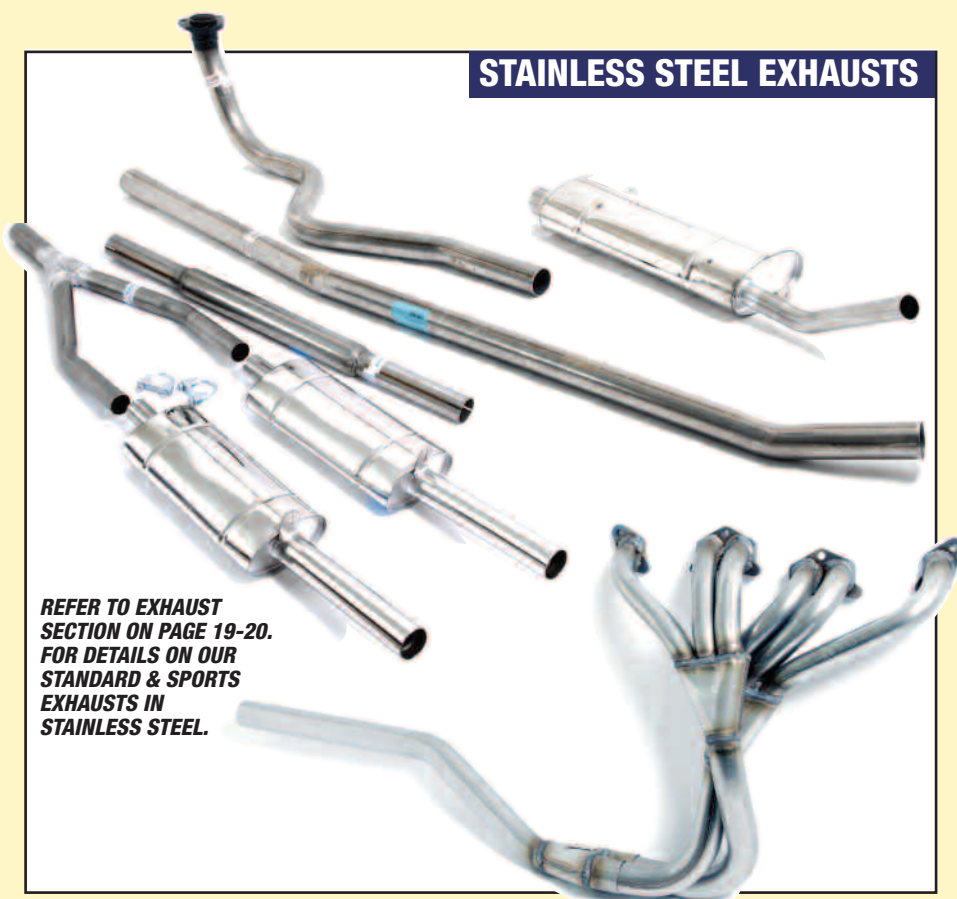
Now the clever bit... How to fit them without removing the cylinder head from the car?

Each seal needs to be fitted to the valve stem above the valve guide but below the valve spring upper retaining cap(s). Remove the rocker cover, rocker gear and the spark plugs. Cover the holes that the push rods come up through so nothing can be dropped down into the engine. Turn the crankshaft so that number one piston is at bottom dead centre (BDC). Feed a length of clean, pliable rope down the spark plug hole of number one cylinder, leaving a bit hanging out so you can retrieve it. Now, slowly and carefully turn the crankshaft clockwise by hand, a resistance will be felt as the rising piston in that bore compresses the rope against the combustion faces of the two valves in that cylinder, holding them against their seats. The valve collets and spring caps of that cylinder can now be removed without the fear of losing the valves down the bore. The valve stem oil seals can be fitted to these two valve stems and perhaps a new set of valve springs.

Be honest, this tip has saved the cost of a decoke set! Once the valve stem oil seals and other parts have been refitted to this first pair of valves satisfactorily, simply turn the crank anticlockwise to BDC, withdraw the rope and repeat the process on the remaining cylinders and pairs of valves.

To be sure that the rope has compressed sufficiently against the faces of the valves, attempt to push the valves by hand, as if being acted on by the rockers before removing the spring caps or collets, this is the fail safe check. This method can be adopted anywhere as it does not require the use of compressed air, special tools or luck.

STAINLESS STEEL EXHAUSTS



REFER TO EXHAUST SECTION ON PAGE 19-20. FOR DETAILS ON OUR STANDARD & SPORTS EXHAUSTS IN STAINLESS STEEL.

SUSPENSION OVERHAUL KITS

WHETHER YOU REQUIRE SUSPENSION PARTS FOR A MINOR REPAIR, OR YOU ARE PROPOSING A MAJOR FRONT SUSPENSION/HUB OVERHAUL/REBUILD, HERE WE HAVE A SELECTION OF KITS THAT WILL ENABLE YOU TO IDENTIFY AND ORDER THE PRECISE AND CORRECT PARTS YOU NEED WITH THE MINIMUM OF FUSS - AND SAVE MONEY! See page 27 for further details.

Upper Suspension Overhaul Kit;
2 kits required per Vehicle
with Standard Bushes **RH5080**
with Polyurethane Bushes **RH5080POLY**

Lower (Inner) Suspension Overhaul Kit;
2 kits required per Vehicle
with Standard Bushes **RG1193**
with Polyurethane Bushes **RG1193POLY**

Upgraded Front Anti-Roll Bar Overhaul Kit;
For vehicles fitted with our conversion kit only.
When fitted with std bar refer to listings.
1 kit required per Vehicle
with Standard Bushes **RL1286**
with Polyurethane Bushes **RL1286POLY**

Front Wheel Bearing Kit
2 kits required per Vehicle

Complete Trunnion Overhaul Kit
1 kit required per Vehicle.

Trunnion Bush Kit
2 kits required per Vehicle.
Trunnion Overhaul Kit;
1 kit required per Vehicle

Right Hand
Left Hand

Bush Kit - car set;
inc. bushes for suspension, steering rack,
anti-roll bar and differential.

1600 & Mk1 2 Litre
Standard Bushes
Polyurethane Bushes

Mk2 2 Litre
Standard Bushes
Polyurethane Bushes

Bolt Kit - car set (To install bush kits above)
1600 & Mk1 2 Litre
Mk2 2 Litre

GHK1011

RG1192

514191

RG1190

RG1191

RH5361

RH5361POLY

RV6221

RV6221POLY

RH5362

RV6222

EXHAUST INSULATING HEAT WRAP

COOL IT
Thermo-Tec



Thermo-Tec exhaust insulating wrap reduces under bonnet temperatures by as much as 70%, this increases air intake and exhaust gas velocity which adds performance.

Retaining the heat in the exhaust protects you from mechanical burns and it will also help to prevent under bonnet fires. Any electrical components which are close to the manifold will be less prone to heat failure, increasing their life and performance. As an added benefit, under bonnet noise is also reduced! Thermo-Tec can be used on any 4 stroke, 2 stroke or diesel engines and contains no asbestos or carcinogens.

The Snap Strap Installation Kit secures Thermo-Tec exhaust insulation wrap to your tubular manifold/s. A stainless steel high temperature material designed better than hose clamps and is easier to use.

Also recommended is Hy-cote paint. This preserves and protects the exhaust wrap after installation. Extra resins and binders seal the pores, toughen the surface and help extend the life of the wrap.

APPLICATION GUIDELINES FOR TUBULAR MANIFOLDS

ENGINE TYPE	INSULATING WRAP	SNAP STRAP KIT	TYPICAL APPLICATION
4 Cylinder	1 x RX1382	1 x RX1383	Herald, Spitfire, TR7, Dolomite Sprint
6 Cylinder	2 x RX1382	1 x RX1383	Vitesse, GT6 TR6
8 Cylinder	2 x RX1382	1 x RX1383	TR7 V8, TR8, Stag, Rover SD1

GUIDE TO TYPICAL AMOUNT OF WRAP REQ'D BY PIPE SIZE

PIPE SIZE	2"	3"	4"	5"	6"
INCHES OF WRAP PER FOOT OF PIPE	44"	57"	70"	83"	96"

EXHAUST INSULATING WRAP -
2" x 50'

RX1382

SNAP STRAP EXHAUST WRAP
INSTALLATION KIT

RX1383

HY-COTE PAINT, AEROSOL (400ML)
AVAILABLE IN BLACK OR ALUMINIUM.

RX1432

UPGRADED SUSPENSION PACKAGES

See page 33 for details.



POLYURETHANE BUSHES

Polyurethane bushes out-perform standard rubber bushes and last longer too!



IF YOU REALLY WANT TO IMPROVE THE HANDLING, THEN POLYURETHANE BUSHES ARE A GOOD START. REFER TO LISTINGS THROUGHOUT THIS CATALOGUE FOR FULL AVAILABILITY.

UPRATED DISCS & PADS



See page 35 for full details.

- | | |
|--|-------------------------------------|
| Uprated Discs & Pads (Set);
1600 Models
EBC Discs & Pads
Rossini Discs & Pads | RL1525UR
RL1525ROS |
| 2 Litre Models
EBC Discs & Pads
Rossini Discs & Pads | RG1059UR
RG1059ROS |
| Uprated Discs (pair);
1600 Models
EBC
Rossini | 208715UR
208715ROS |
| 2 Litre Models
EBC
Rossini | 213227UR
213227ROS |
| 'Green Stuff' Pads;
1600
2 Litre | GBP166GS
GBP132GS |

ALFIN BRAKE DRUMS



'ALFIN' FINNED BRAKE DRUMS FOR EXTRA COOLING AND INCREASED RESISTANCE TO FADE. SUPPLIED IN PAIRS.

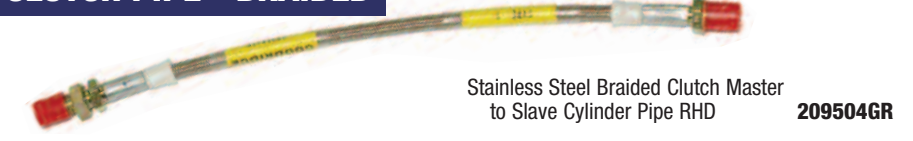
Brake Drum-Alfin (pair) **201246UR**

BRAKE SERVO KIT



Brake Servo Kit **RH5272**
Remote mounting.
Complete kit ready to improve your stopping power!

CLUTCH PIPE - BRAIDED



Stainless Steel Braided Clutch Master to Slave Cylinder Pipe RHD **209504GR**

BRAKE HOSE SET - BRAIDED



For a firmer brake pedal.
Stainless Steel braided hoses.
Also available singularly.

Stainless Steel Braided Brake Hose Set;
Car set (4 hoses).
1600 & 2 Litre Mk1 **RL1635GR**
2 Litre Mk2 **RV6215GR**

QUIK TAPE - SILICONE RUBBER TAPE

KALIMEX
QuikTape
BONDED FOR LIFE
DEVELOPED FOR MILITARY USE

Self adhering and fusing, curing into a solid rubber insulator in less than 24 hours.

Resists moisture and temperatures up to 260°C.

Gives a tough, permanent insulation seal around electrical connections, hoses, pipes (including exhaust) etc.

100s of uses wherever you need a flexible bond in:
Motoring, Boating, Sports Equipment, Household, Plumbing, Farming, Industry

Quik Tape **RX1479**
Black. 25mm wide x 0.5mm depth x 3m length.

25mm x 3m (approx) **MADE IN THE USA**

WHEELS

REVOLUTION ALLOY WHEEL KITS



See page 34 for details.

MINILITE REPLICA WHEEL KITS



See page 34 for details.

WIRE WHEEL CONVERSION KIT



See page 34 for details.

MUDFLAPS



Mudflaps (Pair)
Front (Inc. fittings)
Rear (Inc. fittings)

RH5193F
RH5193R

SEAT BELTS



STATIC FRONT SEAT BELT KIT
565722

INERTIA FRONT SEAT BELT KIT
RH5159

REAR LAP BELT KIT (PAIR)
RS1394

Front Seat Belt Kit (3-point);
Saloon
Static (per seat) (2 Req) 565722
Inertia (per seat) (2 Req) RH5159
Convertible
Static (per seat) (2 Req) RH5221
Inertia (per seat) (2 Req) RB7355SA
Seat Adjusting Block (4 Req) 608759
Rear Seat Belt Kit (2-point)
Lap belt, per car. RS1394

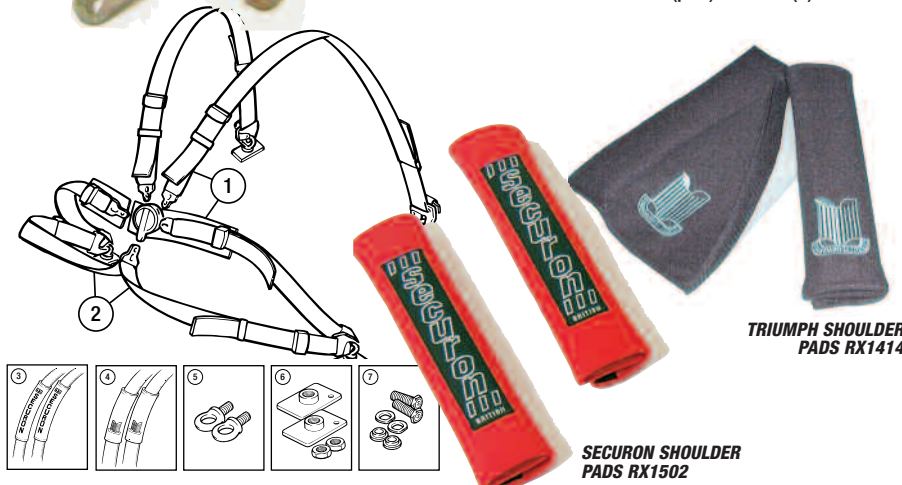
COMPETITION TYPE HARNESS



A popular alternative to standard seat belts - these really do look the part!

The 4-point harness shown (no. 1) can be converted to the 6-point type by the inclusion of the crotch strap listed (no. 2). Note that fittings (eye bolts, reinforcement plates & bolts/spacer sets) are supplied separately. Harnesses are supplied singularly in 2" wide red webbing (black or blue webbing supplied to special order). This harness is designed for road use - please contact us if you have specific FIA/RAC approved type requirements.

- | | QTY | REQ. |
|---|-----|--------|
| 1 HARNESS, competition type, red (each) | (2) | RX1500 |
| 2 CROTCH STRAP, red (each) | (2) | RX1501 |
| 3 SHOULDER PADS, 'Securon' (pair) available in red or black | (2) | RX1502 |
| 4 SHOULDER PADS, 'Triumph' (pair) black | (2) | RX1414 |
| 5 EYE BOLT SET (pair) | (2) | RX1503 |
| 6 REINFORCEMENT PLATE SET (pair) | (2) | 621112 |
| 7 BOLT & SPACER SET (pair) | (2) | RX1505 |



TRIUMPH SHOULDER PADS RX1414

SECURON SHOULDER PADS RX1502

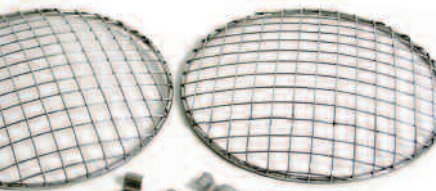
ELECTRICAL

HALOGEN HEADLAMP CONVERSION KIT



Halogen Headlamp Conversion Kit:
 Note:- only for use with vehicles fitted with alternator.
 Includes 4 headlamps, bulbs, relay & instructions
 RHD **RM8100**
 LHD **RM8100LHD**

HEADLAMP STONE GUARDS



Headlamp Stoneguards (pair) (Clip on) **RS1733**
 2 pairs required per vehicle.

FOG LIGHTS



Front 'Fog light' (Supplied in Pairs) **RX1370**
 Rear Fog Light/Guard **RB7092**

DRIVING LAMPS



Driving Lamps - 5" dia. (pair) **RX1556**
 Available in Chrome or Stainless Steel.

ALTERNATOR CONVERSION KIT

Alternator Conversion Kit **RV6043**
 Our alternator conversion kit, which is suitable for all models, comes complete with all necessary fittings
NOTE: vehicles must be (or converted to) negative earth.



KENLOWE ELECTRIC FAN



Kenlowe Electric Fan Kit **RV6003**

UPRATED IGNITION SYSTEMS

These kits offer a maintenance free ignition system, (in place of contact points) with potential for improved performance and fuel economy.

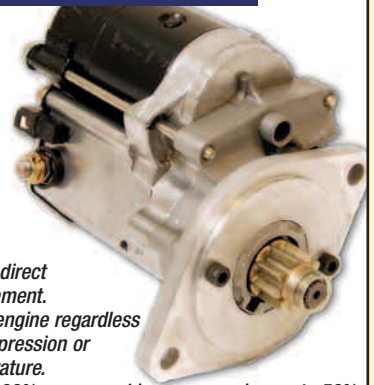


Electronic Ignition Kit;
 Lumenition (Lucas Distributor) **RR1113**
 Standard (Optronic) **RR1113P**
 Performance (inc coil) **RR1432**
 Magnetric **RG1255**
 Fits inside Distributor.
 Newtronic (AC Delco Distributor)



Performance Plug Lead Set;
 Silicone **GHT142S**
 Lumenition Performance **GHT142P**
 Spark Plug - High Performance Each **GSP4382HP**
 Sports Coil (performance) **GCL110HP**
 Not for use with Electronic Ignition. **GCL132MS**
 Lumenition Sports Coil

UPRATED HI-TORQUE STARTER MOTOR



Fits as direct replacement.
 Starts engine regardless of compression or temperature.
 Up to 200% more cranking power using up to 50% less current.
 Uprated Hi-Torque Starter Motor
 Outright sale, no exchange.
 All models **GEU9405UR**

BATTERY CONDITIONER



The battery charger that turns on and off, automatically.

Suitable for all 12 volt batteries (from 5AH to 100AH), this superb product constantly revitalises the battery cells - helping to extend cell life, without the danger of overcharging.

Battery Conditioner Kit - RX1410CTEK
 Comes complete with all fittings & operating instructions.

- LOOK AT THESE BENEFITS;**
- Designed to be left connected for long periods.
 - Use without disconnecting vehicle electrics.
 - L.E.D. battery condition display.
 - Thermal cut-out facility.
 - 12 month guarantee.

Can also be used for these applications providing they use a 12 volt battery;
 Caravans, lawn mowers, motorbikes, motor boats, wheel chairs and general leisure use.

BATTERY CHARGER GAC7106
 Conventional type 12 volt.

**MOBILE FRIDGE/
TRAVEL COOLER**



*Ideal for keeping food and drinks cool in the summer!
Simply plugs into cigar lighter.
Fantastic value.*

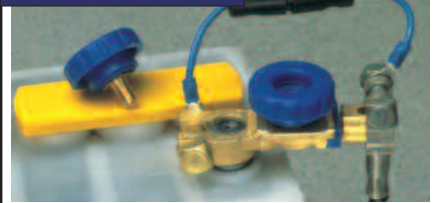
Mobile Fridge/Travel Cooler **RX1540**

**ENGINE BAY BONNET LAMP
& ACTIVATION SWITCH**



Engine Bay Bonnet Lamp Activation (plunger) Switch **DRC2878**
AAU1908A

DIS-CAR-NECT



'Dis-Car-Nect' Starter Immobiliser **RX1356**
Replacement screw knob **RX1356K**
Replacement fuse **RX1356F**

HOW DOES 'DIS-CAR-NECT' WORK?

*When leaving your car, simply remove the knob to isolate the starter circuit. The 16 amp by-pass fuse will maintain current to all other electrical circuits (stereo memories, vehicle alarm etc).
Because the starter motor draws over 150 amps, any attempt to connect (hot wire) the starter motor will instantly cause the fuse to blow, immobilising the car until the knob is replaced. If this should happen, simply replace the 16 amp fuse at a convenient time.
For extra security, unscrew and remove the immobiliser knob completely, and if you intend to store your vehicle for some time, 'Dis-Car-Nect' will also prevent battery drain, simply unscrew the knob and remove the fuse.
Fits all vehicles and is easily fitted to any battery terminal.
Full installation/user instructions supplied with every unit.*

POWER SOURCE INVERTOR



Great for in car entertainment and leisure use!

POWER SOURCE INVERTOR

A power source inverter converts car battery voltage (12v) into a 240v output. You can plug in a variety of mains voltage appliances into the standard UK socket.

Three different invertors are available to suit a range of power requirements. There is overload, overheat and short circuit protection on all models.



150 WATT MODEL **RX1551-150**
Continuous power: 150w. Peak power: 300w
Cigar lighter plug connection. 15A fuse.
Suitable applications: TV, DVD, Video, Computer Consoles, Lights (not fluorescent) Phone charger etc.

300 WATT MODEL **RX1551-300**
Continuous power: 300w. Peak power: 660w
Cigar lighter or battery clip connection.
40A fuse.
Suitable applications: as 150w model plus small power tools, small fridges, stereo etc.

500 WATT MODEL **RX1551-500**
Continuous power: 500w. Peak power: 800w
Battery clip connection only. 70A fuse.
Suitable applications: as 300w model plus medium power tools, colour TV's with DVD's, battery chargers etc.

BATTERY ISOLATOR SWITCH



Battery Isolator Switch **LL1171**
Battery Isolator Switch - Race type **LL1171RACE**
Spare Key **LL1171KEY**

This isolator switch is simple to fit and features a removable key.

INSPECTION LAMP



Inspection Lamp/Halogen **RX1424**
Plugs into cigar lighter.

PORTABLE WORKLIGHT

Ideal for working on you car or for jobs around the house. Inc. 240v-500w tungsten halogen lamp, 2m cable and BS plug.



Portable Halogen Worklight (500w) **RX1263**
Spare Bulb **RX1263B**

AIR HORNS



Air Horns (Electric type) **RX1381**
Twin 'Compressed - Air' Horns.

STEERING WHEELS



**MOTO-LITA
WOOD RIMMED - RR1170**

Motolita Steering Wheel;
Inc. Boss & fittings.

Wood Rimmed
13" dia - flat
14" dia - flat

**RR1170/13
RR1170/14**

Motolita Steering Wheel;
Inc. Boss & fittings.

Leather Rimmed
13" dia - flat
14" dia - flat

**RR1173/13
RR1173/14**

Mountney Sports Steering Wheel & Boss;

13" Wood Rimmed
Semi-dished
14" Vinyl Rimmed Dished
with Polished Spokes
with Black Spokes

RL1466

**RH5357
RH5358**



**MOUNTNEY VINYL RIMMED
14" DISHED
BLACK SPOKES - RH5358**



**MOUNTNEY
WOOD RIMMED - RL1466**



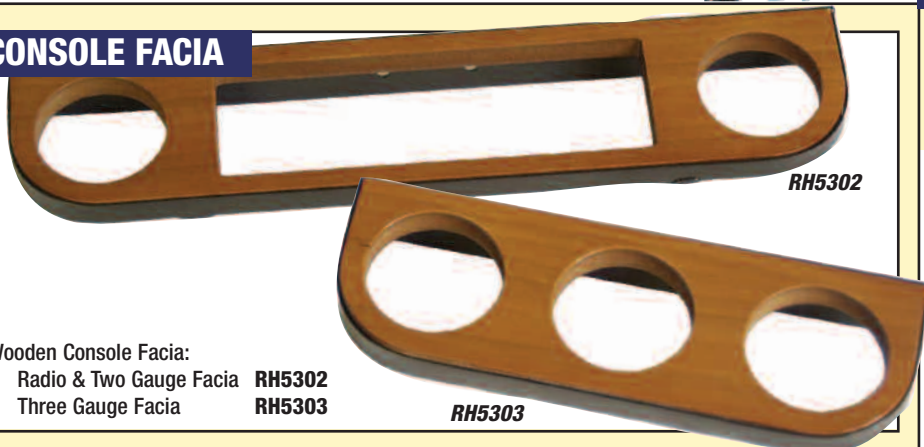
**MOTO-LITA
LEATHER RIMMED - RR1173**



**MOUNTNEY VINYL RIMMED
14" DISHED
POLISHED SPOKES - RH5357**

**STEERING RACK
SOLID MOUNTING KIT**

CONSOLE FACIA



RH5302

RH5303

Wooden Console Facia:

Radio & Two Gauge Facia **RH5302**
Three Gauge Facia **RH5303**



Solid Mounting Kit (alloy) RR1370
Replaces original rubber mountings and clamps. Provides more positive feel to steering. Note: also transmits more road noise and vibration.

GEAR LEVER KNOBS



Gear Lever Knob;

Wood
Leather
Wood (*larger Amco style*)
Leather (*larger Amco style*)

**RL1528W
RL1528L
RL1528WA
RL1528LA**

TREADPLATE FINISHER



Treadplate Finisher (each) 806598
Screw (7 per finisher) 518368

OVERMATS



Footwell Overmats - Velour (Set of 4) RV6075
Suitable for RHD & LHD models. Front & rear.

MIRRORS



**DOOR MIRRORS
IN CHROME &
BLACK**



**'BULLET' STYLE
MIRROR GAM105**



**WING MIRROR
HEADS & ARM**



Rear View Mirror	612162
Door Mirror;	
Chrome (convex glass)	GAM211
RH	GAM212
LH	
Chrome (flat type glass)	GAM213
RH	GAM214
LH	
Black (flat type glass)	GAM261
RH	GAM262
LH	GAM105
Wing Mirror (chrome);	
Arm only	RH5284
Mirror Head (retangular)	
Flat Glass	RH5286
Convex Glass	RH5285
Mirror Head (round)	
Flat Glass	RH5288
Convex Glass	RH5287
Quarterlight Mirror	GAM115

WIND DEFLECTOR



**Do you enjoy driving
with the hood down?**

If so, then your motoring pleasure can be further enhanced with our range of SISA wind deflectors.

It effectively stops the buffeting you receive from air being forced back into the cabin - year round open top driving is suddenly an option! Easy to fit and remove.

Wind Deflector **RH5297**

DIECAST MODELS

Die Cast Model Cars - Vitesse **RV6118**
Refer to latest Price Guide or Web Site for availability.

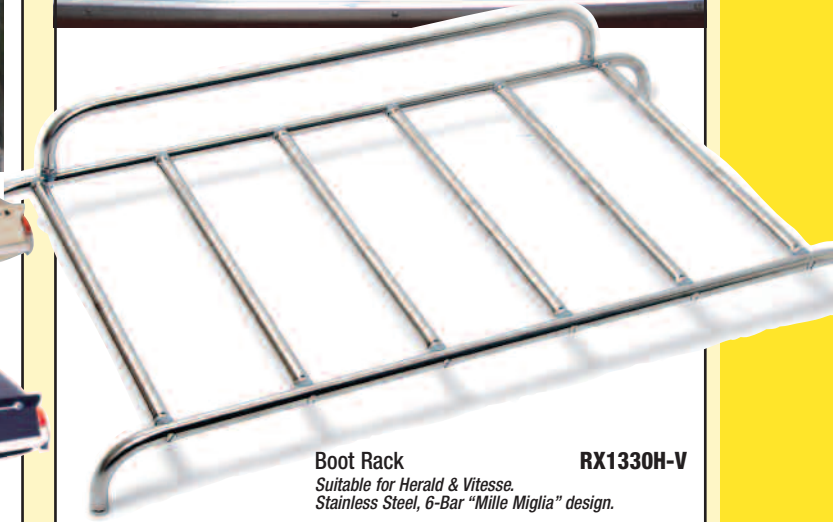
Die Cast Model Cars - 1/18 Herald;
Refer to latest Price Guide or Web Site for availability,
scale size, colour & dress.
Listings below were available at the time of printing.
Others may be available.

Last of the Summer Wine	RH5301-04
White Convertible	RH5301-02
Red and White Saloon	RH5301
Light Blue Saloon	RH5301-06
Dark Blue Convertible	RH5301-03

**REFER TO PRICE
GUIDE OR WEB
SITE USING
PART NUMBER
RV6118 OR
RH5301
TO CHECK ON
LATEST
AVAILABILITY
AND SPEC**



BOOT RACK



Boot Rack **RX1330H-V**
Suitable for Herald & Vitesse.
Stainless Steel, 6-Bar "Mille Miglia" design.

ADVERTISING PRINTS

Reproductions of Original Triumph adverts.

We have available a good selection of full colour advertisements/posters as released by Triumph - British Leyland, representing adverts used Worldwide.

RV6107



Vitesse Mk1 **RV6107**
Picture: White Vitesse on a beach with man stood up through the skylight roof taking a picture of the sunset.
Caption: SKYSCAPE! Now! Option of skylight roof on the Triumph Vitesse.

Vitesse Mk1 **RV6223**
Picture: Light Blue Vitesse been driven on a beach at speed.
Caption: 2 litres of engine make the £838 Triumph Vitesse the quickest bargain you'll ever find.

Vitesse Mk2 **RV6224**
Picture: Blue Vitesse on a race track with family round it.
Caption: The 2-seater beater.

Vitesse Mk2 **RV6225**
Picture: White Vitesse outside Nursing Home with a couple coming out with new twin babies.
Caption: The Triumph Vitesse or how to have children and a sporting car.

RV6223



2 litres of engine make the £838 Triumph Vitesse the quickest bargain you'll ever find



The 2-seater beater.

New Triumph Vitesse Mk2.

Triumph put in what the others leave out

RV6224



The Triumph Vitesse or how to have children and a sporting car

RV6225

DECALS & BADGES



'Union Jack' Enamel Badge (30 x 50mm)
 Screw-on (each) **RX1299**
 Stick-on (pair) **RX1299S**
 Grille Badge 'T. S. O. A' **HMP121001**
 'Triumph Sporting Owners Association'
 Cloth Badge 'BL Motor Sports' **HMP190078**
 'Sew-on' product.

TRANSFERS



'Triumph Laurel' Leaf Transfer - Large (200mm dia)
 Popular application - Bonnet
 Black **XKC3700**
 Gold **XKC3702**
 Silver **XKC3701**
 Red **RB7222**
 'Triumph Laurel' Leaf Transfer - Small (50mm dia)
 Popular application - Front Wing
 Black, Gold or Silver **RB7178**

If you know what you want why wait until office hours?
Order online anytime!

it's easy
 it's secure
 it's safe
 it's fast
 it's efficient



Step 1 - click on your car model...



Step 2 - click the part section you require...



Step 3 - find the part & click on the part number...



Step 4 - choose your quantity & check price...



Step 5 - add extra items to your list if required and then checkout.

www.rimmerbros.co.uk

JOIN OUR E-MAIL LIST FOR NEWS ON SPECIAL OFFERS!

TAX DISC HOLDER

FREE



Tax disc holder (Free of charge) **RX1355**

DECAL



Decal 'Rimmer Bros' **RA1055**
 Black/Silver, Self adhesive.

ACCESSORIES

TOOLS



Rear Hub Puller **RX1542**
 Door Gap Adjusting Tool **RX1543**
Bolts between 'A' and 'B' posts to maintain correct door aperture size when replacing sills or repairing chassis.
 Valve Spring Compressor Tool **RX12260HV**
 Overhead Valve Models
 Grease Gun **RX1423**
 Clutch Alignment Tool **RX1385**

Oil Filter Strap Wrench **RX1514**
For cartridge (spin-on) type filter.
 Spark Plug Spanner **GAT140**
 Spring Compressor Tool **RX1328A**
 Wheel Nut Brace **21A2818**
 Scissor Jack & Handle **311346**
 Door Weatherstrip Clip Tool **RX1562**
 Hood Popper Fixing Tool **RX1342**
For mating Male and Female Poppers on Hood & Tonneau Covers
 Eyelet Tool (Tonneau Covers) **RX1384**
 Windscreen Beading Tool **RX1568**

HOOD CARE



A range of products to clean, renovate and protect your hood cover, tonneau cover or hood storage cover, whether made from vinyl, canvas or mohair material.

Vinyl Top Cleaner (500ml) **RX1529**
 Dry Cleaner Shampoo -
 Canvas/mohair (500ml) **RX1530**
 Soft Top Reviver - Canvas/mohair
Available in black, blue & brown.
 500ml size **RX1525**
 1 Litre size **RX1524**
 Ultra Proofer - Canvas/mohair
 500ml size **RX1527**
 1 Litre size **RX1526**
 Ultra Proofer - Vinyl (500ml) **RX1528**
 Plastic Window Polish
 50ml size **RX1531**
 100ml size **RX1532**

GENERAL CONSUMABLES



WD-40 (Large 400ml) **GAC111**
 Wonderweld (Holts) **RX1539**
 Radweld (Holts, 250ml) **RX1508**
 Easystart (Bradex) **RX1511**
 Silicone Sealant (Tube 80ml) **GHF6093**
 Hylomar (Gasket Sealant) (100g) **GGC102**

Latex/Rubber Gloves (Pack of 100) **RX1406**
Ideal for those really dirty maintenance jobs.
 Exhaust Joining Compound **GCH112**
 Copper Ease (Tube) (Anti-Seize Grease) (95g) **RX1345**
 Brake Rubber Grease **514578**
 Brake Cleaner (Aerosol) **GBF901**
 Loctite (Tube)
 24ml **GAC100-24**
 3ml **GAC100-3**
 Adhesive (Trim/Carpets)
 1 Litre Tin **RX1353**
 500ml Aerosol **RX1353A**
 Seam Sealer (Canvas Hoods) **RX1257**
 Waterproofing – Hood Material
 Clear 250ml **RX1373**

CAR STORAGE

CAR-CAPSULE

The dry solution for car storage problems.

Car-Capsule practically eliminates the problems of dust, dirt, scratched paintwork & moisture retention, which can lead to corrosion problems. Quick and very easy to use, Car-Capsule is suitable for both long and short term storage.

The energy efficient (low-voltage) fan maintains a continuous flow of filtered air passing over and through the stored vehicle.

Car-Capsule helps prevent interiors from becoming damp & musty during storage.



Vitesse Car-Capsule (420x160cm) RX1401

Also available in;
480x180cm (RX1402) & 540x200cm (RX1404) sizes.

OUTDOOR 'MONSOON' SEMI-TAILORED CAR COVERS



Our range of semi-tailored outdoor car covers offer total protection with a range of sizes to suit all applications.

Spitfire, GT6, TR2 & 3
TR4 - 6, TR7 - 8, Dolomite, Herald, Vitesse
Stag
2000/2500 saloons, Rover SD1
Extra large - Range Rover etc

RX1516
RX1517
RX1518
RX1519
RX1520

FEATURES...

- Tough grey outer skin
- Soft non woven lining
- Double stitched with heated seams
- Roof vents allowing moisture to escape
- Under body securing straps with soft fastener covers
- Elasticated front & rear hems for snug fit
- UV resistant to prevent paint fade
- Complete with zipped storage bag
- Great value for money!

TOTAL PROTECTION!

INDOOR TAILORED CAR COVERS



Cover It up!

Look at these features ...

- Breathable Cotton material.
- Available in red, blue & green.
- Excellent tailored fit.
- Superb Value for Money.
- Embroidered Model Name/Logo.
- Supplied with FREE Storage Bag.
- Manufactured in the UK.

These quality tailored indoor car covers are exclusive to Rimmer Bros, and have been individually designed for each model to ensure a really close fit. They are manufactured to our specification in a 'Breathable Sateen Cotton' material that is strong, but yet light in weight, making them very easy to fit. They will provide ideal protection whilst your car is in the garage - whether just parked up for a few days, or stored over the winter months - from dust, bright sunlight and from those annoying little marks when people brush past. The covers, which are available in a choice of colours, are supplied with a matching storage bag. This product is manufactured Solely in the United Kingdom. Available in Blue, Red & Green.

Vitesse 'Sateen' Car Cover; Saloon RH5177, Convertible RH5128

LUBRICANTS & FLUIDS

ENGINE OIL



**ENGINE OIL CAPACITY
(INC FILTER)
4.55 LITRES/1 GALLON.**

Unipart (20W/50) 4.55 Litre/1 Gallon	GGL104	Castrol Running In Oil 4.55Litre/1 Gallon	RX1570
Duckhams Q (20W/50) 4.55 Litre/1 Gallon	HMP190100	Castrol Classic XL (20W/50) 4.55 Litre/1 Gallon	RX1363
Duckhams Q Storage Oil 4.55 Litre/1 Gallon	HMP190104	X-Power (10W/40) Semi-Synthetic 5 Litre	XP1040PS5

GEAR / SHOCK ABSORBER OIL



Gear Oil (EP90) 1 Litre **XP8090GL41**
 CAPACITIES; GEARBOX 0.9 LITRES,
 GEARBOX & OVERDRIVE 1.35 LITRES
 DIFFERENTIAL 0.6 LITRES.
Shock Absorber Oil (For Lever Arms)
 0.5 Litre **AAA149M**

BRAKE/CLUTCH FLUIDS



Standard (DOT 3) 1 Litre **GBF103**
Silicone;
 0.5 Litre* **RX1327**
 1 Litre* **RX1326**
**Do not mix with standard fluid.*

ANTIFREEZE



Anti-Freeze;
 1 Litre **GAC2018**
 5 Litre **GAC2019**
 COOLING SYSTEM (INC HEATER) 6.25 LITRES.

GREASE & LUBE



Lithium Grease (Multi-Purpose)
 Unipart 400gm (Tube) **GGL111**
 Brake Rubber Grease **514578**
 Cam Lube 250ml (for assembly) **RX1358**

UNLEADED FUEL ADDITIVES

Bottled additives are available which can be mixed with either 'Premium' or 'Super' unleaded depending upon application. It usually works out cheaper to use bottled additives than leaded or LRP - work it out for yourself!



Castrol Valvemaster
 250ml **RX1407VM**
Castrol Valvemaster Plus
 250ml **RX1407VMP**

Endorsed by the federation of British Historic Vehicle Clubs (FBHVC), having been independently tested and approved, both products offer a high level of protection against valve seat recession under all driving conditions. In addition, castrol valvemaster plus provides an octane boost to premium unleaded petrol which reduces pinking or knocking on high compression or performance applications. This also usually avoids the need to re-tune your engine. Treats 250 litres of petrol.

OIL JUGS



Castrol Oil Jugs
 1/2 Pint **RX1395**
 1 Pint **RX1396**
 2 Pint **RX1397**
 All Three Jugs **RX1398**

RADIATOR RELIEF



COOLING SYSTEM ADDITIVE

- 30°F lower operating temperature
- 50% quicker warm up time
- Safe with water/antifreeze mixture
- Safe with cast iron, alloy engines and heads
- Increased engine life!
- 100% biodegradable, non corrosive, non toxic
- For use in all water cooled engines

RADIATOR RELIEF (946ml) **RX1461**
 Treats 1 engine.

BODY CARE



AUTOGLYM CAR CARE PRODUCTS

Autoglym Car Care Pack <i>includes items marked *</i>	RX1510
Silicone Resin Polish (325ml)*	RX1312
Bodywork Shampoo/Conditioner (500ml)*	RX1313
Car Interior Shampoo (500ml)*	RX1314
Glass Polish (325ml)*	RX1315
Cutting Polish (325ml)*	RX1316
Ultra Deep Shine (500ml)	RX1558
Extra Gloss Protection (325ml)*	RX1317
Bumper Care (325ml)*	RX1318
Vinyl & Rubber Care (500ml)*	RX1319
Leather Care Cream (325ml)*	RX1320
Superglym Chrome Polish (55ml)*	RX1321
Clean Wheels (500ml)*	RX1322
Perfect Polishing Cloth (21sq ft)*	RX1323
Aqua Dry (Synthetic Chamois)*	RX1324
Clean Machine (1 Litre)*	RX1325
Hood Care & Maintenance Kit	RX1433
Alloy Wheel Seal (Silicone spray)	RX1443
Instant Tyre Dressing	RX1368
Intensive Tar Remover	RX1367
Insect Remover (450ml)	RX1567
OTHER CAR CARE PRODUCTS	
Sponge	RX1415
Wash Leather	RX1416

FINNEGANS 'ANTI-CORROSION' WAXOYL



Waxoyl Starter Kit <i>inc. RX1028, RX1030, RX1031</i>	RX1032
Waxoyl;	
5 Litre Can	RX1027
2.5 Litre Can	RX1029
2.5 Litre Cartridge	RX1028
Trigger Spray Gun	RX1033
High Pressure Spray Gun <i>Use with 2.5 litre cartridge</i>	RX1030
Extension Probe <i>Use with high pressure spray gun</i>	RX1031
Aerosol (400ml)	RX1026
Aerosol (200ml)	RX1025
Underbody Seal;	
1 litre	RX1024
500ml	RX1023

WAXOYL
The Original

'CONCOURS' SPECIALIST WHEEL CLEANER



The 'Concours' specialist wheel cleaning system will help you care for your Classic's wheels.

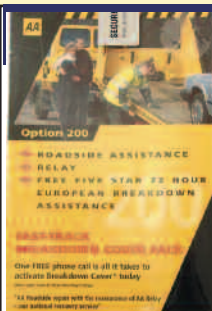
Suitable for all Steel, Alloy and Wire wheels (including painted & chromed), 'Concours' wheel cleaning system uses a unique 2-stage process that not only cleans, but gives wheels a superb lasting finish that helps to protect them, making them easier to care for and clean in the future.

'Concours' Wheel Cleaning Kit - RX1405

- Kit includes;*
- Special cleaning solution (580ml).
 - Wooden handled cleaning brush & dispenser.
 - Finishing/protection solution (180ml)
 - 2 pair of disposable gloves.

Cleaning solution breaks down brake dust & road grime. Brush & dispenser gets into all those awkward places. Finishing/protection solution leaves wheels like new.

ROADSIDE TOOLS & TOURING EQUIPMENT



Tow Bar only <i>Less tow ball & electrical fittings</i>	509675
Tow 'Ball' only (50mm)	GTT101
Cover (Tow ball)	GTT308
'AA' Membership & Relay Pack	RX1329
Lightweight (Disposable) Overalls; <i>Ideal for those roadside repairs.</i>	
<i>Keep a pair of these very handy lightweight general purpose overalls in the boot, you never know!</i>	
Medium (approx. 47" chest)	RX1408M
Large (approx. 51" chest)	RX1408L
Extra large (approx. 55" chest)	RX1408X
'Warning' Triangle	RX1344
Safety Jacket (Luminous) <i>Be Safe - Be Seen.</i>	GAC2999
Rubber Disposable Gloves <i>Supplied in packs of 100.</i>	RX1406
<i>They keep your hands clean & help protect your skin.</i>	
Tool Bag only (For jack etc)	725793
Scissor Jack & Handle	311346
Wheel Nut Brace	21A2818
Foot Pump	GAT347
'First-Aid' Kit	RX1399
Fire Extinguisher 1kg	GAC9904X

HAND CLEANERS



HICLEAN THE HANDY HAND CLEANER

Hiclean, the handy hand cleaner is a novel and unique hand cleaner that cleans dirty hands quickly without water, soap or towel - ideal for use in any situation! It also moisturises hands and disinfects.



Simply apply the gel to your dirty hands and gently rub together until the gel dries and the dirt rolls up and falls off.



Hiclean Handy Hand Cleaner may be used repeatedly and is perfectly safe on cut hands. It kills pathogens associated with animals and is suitable for use before meals. Available in tubes or sachets, Hiclean Handy Hand Cleaner contains no perfume and is therefore appropriate to use when animals are present.

- Cleans your hands in any situation
- Moisturises, freshens & disinfects
- Always keep some handy - toolbox, car or anywhere!

Hiclean Handy Hand Cleaner;
 40g Tube **RX1549T**
 1.5g 'one-use' sachet **RX1549S**



HICLEAN LIQUID GLOVES

Hiclean Liquid Gloves is a highly effective barrier cream. Simply smother your hands with Liquid Gloves before work commences. To clean, quickly rinse your hands under a cold tap and all the dirt, grease, ink etc simply comes off. Liquid Gloves moisturises hands and stops the pores becoming blocked with dirt. It prevents cracking, chapping and ingrained dirt.

- Quick & easy to use
- Prevents ingrained dirt
- No need for hot water, soap or chemicals
- Moisturises, prevents cracks and chapping.

Hiclean Liquid Gloves (40g Tube) **RX1550T**



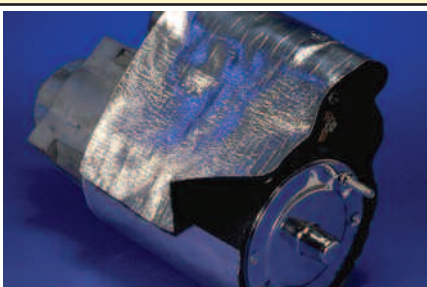
COOL TAPE

Consists of a 1mm aluminised material bonded to a lightweight, woven fibreglass with super strong adhesive backing. Reflects radiant heat. Limitless application, but common uses include wrapping cables, hoses, fuel lines, 'spot' heat retardation areas and sealing gaps in floors or firewalls.

The best product on the market! Flexible, strong adhesive and thin for a tight wrap.

COOL TAPE **RX1474**

Available in 13/8" x 15', 13/8" x 30' and 2" x 60' rolls



UNIVERSAL HEAT SHIELD

This multi-purpose heat shield can be used to protect starter motors, carbs, fuel pumps, electrical boxes, instruments and hydraulic cylinders from intense heat. Easily cut to shape (scissors or knife) it attaches to itself with velcro material. Simply cut off excess material.

UNIVERSAL HEAT SHIELD **RX1470**
 7" wide x 24" long



HI-TEMP SHRINK TUBES

These shrink tubes are already supplied with the HT lead kits listed on previous page. They can also be used for many other applications such as an enhanced appearance to any hose or wire, bundle wires as alternative to plastic ties or protecting electrical connections. Available in grey, black, red, blue and in 2 sizes, with a shrink ratio of 3 to 1. Easily installed with naked flame. 18mm size shrinks to 6mm and 12mm size shrinks to 4mm. Supplied in packs of 25.

HI-TEMP SHRINK TUBES;
 18mm dia x 38mm long (Pack of 25) **RX1468**
 12mm dia x 38mm long (Pack of 25) **RX1469**



THERMAL HEAT SLEEVES

This high temperature sleeving will protect wiring, HT leads, hydraulic hoses and coolant hoses from radiant heat. Two different designs are offered. The fixed tube type is designed to slide over wiring/hoses whereas the velcro type can be easily installed without having to disconnect anything. Easy to cut and shape to suit. Supplied in 3ft lengths.

FIXED TUBE SLEEVE **RX1471**
 Supplied in diameters of 0.5", 0.75", 1", 1.25", 1.5"
 (all 3ft long)

VELCRO SLEEVE **RX1472**
 Supplied in 1 size - 0.5"-1.5" diameter (3ft long).



HEAT & SOUND INSULATION

Designed for insulating floors, bulkheads, transmission tunnels and many other applications from the effects of heat, road noise, engine and transmission noise. Made from an aluminium face bonded to a 1/8" composite fibreglass insulation, then backed to an aggressive adhesive. Tough enough for under vehicle applications and harsh environments where high heat can be a problem. Can also block out up to 50% of unwanted noise. Self adhesive, can be cut with tin snips to any shape.

INSULATION MATERIAL **RX1473**
 Supplied in 3 sizes: 2' x 21" (3.5sq ft), 4' x 21" (7sq ft),
 4' x 42" (14 sq ft).



HT LEAD & SPARK PLUG PROTECTION

Protect your HT leads and spark plugs from extreme heat and improve the appearance of your engine bay with these top quality products. Ideal for tubular extractor manifold applications where additional heat is generated, but may be fitted to a standard vehicle.

Note: For Manifold insulation wrap, refer to 'Exhausts'.



SPARK PLUG SLEEVES

Manufactured from a fibreglass composite material (no arcing), the sleeves slide over the ends of the HT leads, easy installation. Available in silver, black, red or blue.

SPARK PLUG SLEEVES
 2 cylinder kit **RX1462**
 Order 2 kits for 4 cylinder, 3 kits for 6 cylinder.
 8 cylinder kit **RX1463**



HT LEAD SLEEVES

Made from the same material as the spark plug sleeves - these easy install, snug - fitting sleeves will fit any HT lead up to 10mm in diameter. Also included are hi-temp shrink tubes for a sharp finished appearance. Available in silver, black, red or blue.

HT LEAD SLEEVES
 2 cylinder kit **RX1464**
 Order 2 kits for 4 cylinder, 3 kits for 6 cylinder.
 8 cylinder kit **RX1465**



HT LEAD & SPARK PLUG SLEEVE KIT

These kits comprise of both kits listed opposite in one convenient (and cost effective) kit. Colour matched sleeves available in silver, black, red or blue.

HT LEAD & SPARK PLUG SLEEVE KIT
 2 cylinder kit **RX1466**
 Includes 7ft of HT lead sleeve,
 2 plug sleeves & 6 shrink tubes.
 Order 2 kits for 4 cylinder, 3 kits for 6 cylinder.
 8 cylinder kit **RX1467**
 Includes 25ft of HT lead sleeve, 8 plug sleeves
 & 25 shrink tubes.

ORIGINAL TECHNICAL PUBLICATIONS ON CD ROM

- **FACTORY PARTS CATALOGUES**
 - **WORKSHOP MANUALS**
 - **DRIVER'S HANDBOOKS**
- ### ALL ON ONE CD ROM!

Compiled from the archives of the Heritage Motor Centre using original factory data, a CD Rom is now available for Herald & Vitesse which combines all the factory publications of Parts Catalogues, Workshop Manuals and Driver's Handbook - all on one CD!

The CD Rom includes all the publications for all years of production - in easy to print pdf format. Also included are details about the Heritage Motor Centre and the British Motor Industry Heritage Trust along with pdf reader software for those requiring it.

Available for the first time, it represents superb value for money - an excellent saving if you were purchasing all three publications in paper format!

In addition, certain publications are out of print, so this CD can now give access to original factory data for the first time in many years.



PARTS PUBLICATIONS

Herald 948 Saloon & Coupe 1959 to 1962 - Spare Parts Catalogue	508073
Herald 948 Convertible - Spare Parts Catalogue Sup	508073/S1
Herald 948 Saloon - Spare Parts Catalogue Sup	508073/S2
Herald 948 Saloon & Coupe 1959 to 1962 (USA) - Spare Parts Catalogue	508073/USA
Herald 1200 & 12/50 1961 to 1970 - Spare Parts Cat	510597/S1
Herald 1200 Estate - Spare Parts Catalogue Sup	510597/S2
Herald 1200 Convertible - Spare Parts Catalogue Sup	510597/S3
Herald 1200 Courier - Spare Parts Catalogue Sup	510597/S4
Herald 1200 & 12/50 1961 to 1970 - Parts Fiche	RTC9817FA
Herald 13/60 1967 to 1971 - Spare Parts Catalogue	517056
Herald 13/60 1967 to 1971 - Parts Fiche	RTC9821FA
Vitesse 1600, 2 Litre Mk I 1962 to 1968 - Spare Parts Catalogue	511408
Vitesse 1600, 2 Litre Mk I 1962 to 1968 - Parts Fiche	RTC9816FA
Vitesse 2 Litre Mk II 1968 to 1971 - Spare Parts Catalogue	517786
Vitesse 2 Litre Mk II 1968 to 1971 - Parts Fiche	RTC9823FA

SERVICE PUBLICATIONS

Herald 948 1959 to 1962 - Owner's Repair Manual	-
Herald 1200 1961 to 1970 - Owner's Repair Manual	-
Herald 1961 to 1970 - Workshop Manual	511243
GT6 Mk I, Mk II, Mk III - Workshop Manual	512947

OWNERS' LITERATURE

Herald Saloon 1959 to 1960 - Owner's Handbook	508910
Herald Saloon, Coupe & Convertible 1960 to 1962 - Owner's Handbook	508515
Herald Sedan 1959 to 1962 - Owner's Handbook (USA)	508925
Herald Sedan 1959 to 1962 - Owner's Handbook (USA)	508924S
Herald Coupe & Convertible 1959 to 1962 - Owner's Handbook (USA)	508925
Herald Coupe & Convertible 1959 to 1962 - Owner's Handbook (USA)	508924C
Herald 1200 1961 to 1962 - Owner's Handbook	511212
Herald 1200 Saloon & Estate 1961 to 1962 - Owner's Handbook	510313
Herald 12/50 1963 to 1964 - Owner's Handbook	512168
Herald 1200 & 12/50 1961 to 1970 - Owner's Handbook	512893
Herald 13/60 1967 to 1969 - Owner's Handbook	545037
Herald 13/60 1970 to 1971 - Owner's Handbook	511236
Vitesse 6 1962 to 1966 - Owner's Handbook	545037
Vitesse 2 Litre Mk I 1966 to 1968 - Owner's Handbook	545036
Vitesse 2 Litre Mk II 1968 to 1971 - Owner's Handbook	545070

Herald & Vitesse, 1959 to 1971 HMCC7008



WORKSHOP MANUALS (FACTORY)

TR4/TR4A	510322
TR5 Pi Supplement	545053
TR6	545277
TR5/TR250/TR6 (Pocket size)	545277HBS
TR7	AKM3079B
TR8	AKM3971
Stag	AKM3966
Stag - Engine Service Manual (Pocket Size)	RS1542
Spitfire Mk1/2/3	511243
Spitfire MkIV	545254
Spitfire 1500; Hard Cover	AKM4329HCVR
Soft Cover	AKM4329SCVR
Spitfire (Pocket Size)	RL1637
GT6/Vitesse	512947
Herald	511243
Dolomite Sprint	AKM3629
Dolomite Sprint - Repair operation times	AKM3635
Triumph 2000/2500	AKM3974
SD1 (1982 on)	AKM5343

WORKSHOP MANUALS (HAYNES)

TR2-4A	RF4128
TR6	RR1020
TR7	RB7210
Stag	RS1401
Spitfire	RL1222
GT6/Vitesse	RG1001
Herald	RH5194
Triumph FWD (1965-73) Autodata	RX1292AD
Dolomite 1300	RT1250
SD1	
2000/2300/2600	R01068
3500	R01069
2300/2600/3500 (exc EFI) Autodata	R01069AD
Carburettor Manual Weber, Zenith, Stromberg	RX1412
Range Rover (1970-92)	RA1007

TRIUMPH VIDEOS

Produced by The British Motor Industry Heritage Trust (BMIHT), these videos are compiled from archive footage from the past and remind us of how things used to be! Very entertaining.

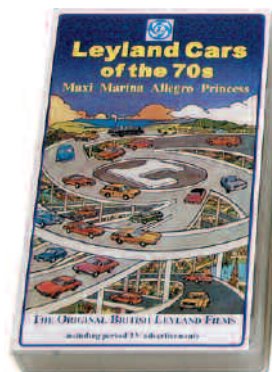


THE TRIUMPH MARQUE **RX1436**

This video shows the STANDARD-TRIUMPH film unit at its best, following the fortunes of rally and race teams, it covers the major successes of the Standards, TR's and Spitfires from 1953 to 1968 and the introduction of the TR5. Footage of the 25th Monte Carlo Rally is also included.

TRIUMPH HERALD **RX1437**

This video includes the launch of the Triumph Herald in the Albert Hall, the gruelling test journey across Africa and footage of the Canley production factory. Raymond Baxter adds the informative commentary.



LEYLAND CARS OF THE 70's **RX1442**

A celebration of those wonderful films made to launch some famous cars of the golden years at British Leyland. Includes footage of the Maxi, Marina, Allergo and Princess. (62 minutes in total).

BOOKS

PARTS BOOKS - 'BRITISH LEYLAND'

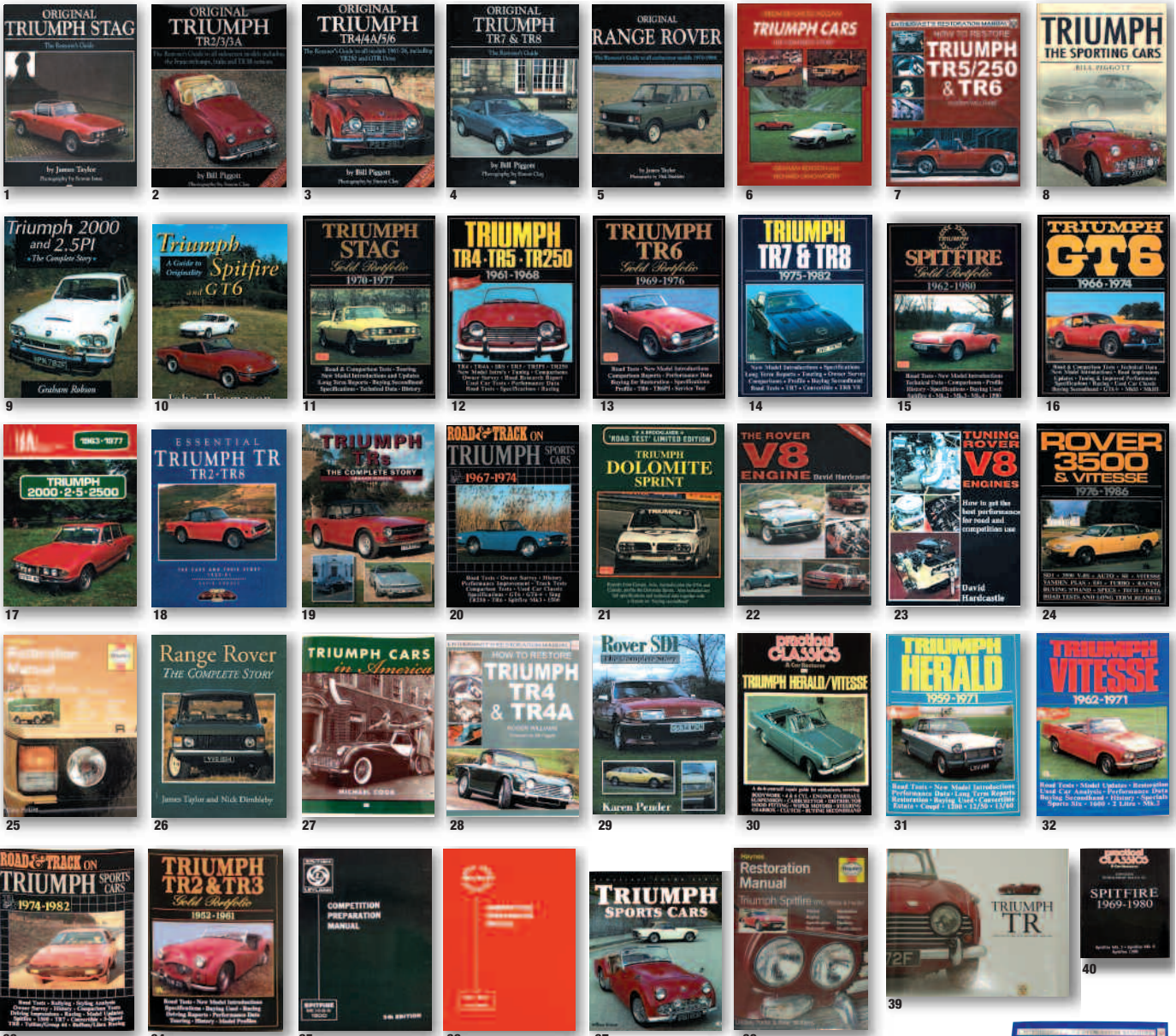
TR2/3	501653SC
TR4	510978
TR4A	514837
TR250	516914
TR5	516915
TR6 (to 1973)	517785A
TR6 (1974 to '76)	RTC9093A
TR7 (1975 - 78)	RTC9814CA
TR7 (1979 on)	RTC9828CC
TR7/8 (to '79)	RTC9020B
Stag	519579
Spitfire ('4' Mk1 & Mk2)	511682
Spitfire (Mk3)	516282
Spitfire 1500 (Late)	RTC9819CB
GT6 (Mk1 & Mk2)	515754
GT6 (Mk3)	520949A
Herald (1200 - 12/50)	510597
Herald (13/60)	517056
Vitesse (1600/2000 Mk1)	511408
Vitesse (2 Litre Mk2)	517786
Dolomite (All Models)	RTC9822CB
Triumph 1500 (RWD)	RTC9019A



OWNERS HANDBOOKS

TR4	510326
TR4A	512916
TR250	545033
TR6	545078
<i>See catalogue for full listings</i>	
TR7 USA (1977)	RTC9209-77
TR7 (Coupe 77-81)	AKM4332
TR7 ('81 on inc. conv.)	AKM4853
TR8	AKM4779
Stag	545105
Spitfire Mk3	545017
Spitfire MkIV	545220
Spitfire 1500	RTC9221
Spitfire 1500 (USA)	AKM4544
GT6 (Mk1)	RG1293
GT6 (Mk2)	545057
GT6 (Mk3)	545186
Herald (1200 & 12/50)	512893
Herald (13/60)	545037
Vitesse (1600 Mk1)	511236
Vitesse (2 Litre Mk1)	545006
Vitesse (2 Litre Mk2)	545070
Dolomite Sprint	545601
Triumph 2000/2500	AKM3617
SD1 - Refer to catalogue	





REFERENCE / INFORMATION BOOKS

- | | | |
|--|---|--|
| 1 Original Triumph Stag - 'Restorers Guide' (James Taylor). 96 pages. 190 colour photos. RS1694 | 16 GT6 Portfolio* RG1140 | |
| 2 Original TR2/3/3A (Bill Piggott) 128 pages RF4125 | 17 2000/2500 Road Test Book (Brooklands) 100 pages RM8226 | |
| 3 Original Triumph TR4/4A/5/6 (Bill Piggott) TR4/5/6 112 pages RX1294 | 18 Essential Triumph TR2 - 8 (Bayview Books). 80 pages RX1357 | |
| 4 Original Triumph TR7 & TR8 (Bill Piggott) 128 pages. 200 colour photos RB7688 | 19 Triumph TR's: The Complete Story (Robson). 192 pages RX1296 | |
| 5 'Original' Range Rover (1970-86) (James Taylor) RA1226 | 20 Triumph Sports Cars - 1967-74 (Road & Track) 90 pages RX1269 | |
| 6 Triumph Cars: The Complete Story (Robson & Langworth). 352 pages RX1388 | 21 Dolomite Portfolio* 'Road Tests/Spec's, Performance Data, new model instructions, long term reports, rallying, touring, plus buyers guide. RT1227 | |
| 7 How to restore - Triumph TR5/250 & TR6 (Paperback, 192 pages with over 300 photographs and illustrations. - Triumph TR2/3/3A RX1497 | 22 The Rover V8 Engine (David Hardcastle) 208 pages. RX1429 | |
| 8 Triumph - The Sporting Years (Bill Piggott) 160 pages RX1428 | 23 Tuning Rover V8 Engines (David Hardcastle) 208 pages. RX1430 | |
| 9 2000/2.5PI The Complete Story (Robson) 200 pages RM8221 | 24 SD1 - Road Test Book 100 pages. (3500 & Vitesse 1976-86) R01070 | |
| 10 Spitfire/GT6 Informative Guide to Origins (By John Thomason) 158 pages RL1479 | 25 Range Rover - Purchase & Restoration Guide (David Pollard) RA1070 | |
| 11 Stag Portfolio* RS1525 | 26 Range Rover - The Complete Story (James Taylor) Note: refer to Range Rover catalogue for other titles. RA1319 | |
| 12 TR4/5/250 Road & Track RF4114 | 27 Triumph Cars in America (Michael Cook) RX1506 | |
| 13 TR6 Portfolio* RR1325 | 28 How to Restore TR4 & TR4A (Roger Williams) 192 pages. Soft cover. RX1509 | |
| 14 TR7/8 Gold Portfolio* RB7207 | 29 SD1 - The Complete Story (Karen Pender) 192 pages. R01129 | |
| 15 Spitfire Portfolio* RL1390 | 30 Practical Classics on Herald & Vitesse Restoration (Brooklands). 76 pages. RH5300 | |
| | 31 Triumph Herald 59-71 Road Test Book (RM Clark - Brooklands). 100 pages. RH5299 | |
| | 32 Triumph Vitesse 62-71 Road Test Book (RM Clark - Brooklands). 100 pages. RV6117 | |
| | 33 'Road & Track on Triumph Sports Cars 74-82 (Brooklands). 88 pages. RX1439 | |
| | 34 TR2 & TR3 Gold Portfolio 52-61 (RM Clark - Brooklands). 172 pages. RW3033 | |
| | 35 Spitfire Competition Prep Manual (RW Kastner). 64 pages. RL1638 | |
| | 36 GT6 Competition Prep Manual (RW Kastner). 28 pages. RG1294 | |
| | 37 Triumph Sports Cars (William Krause). 96 pages RX1507 | |
| | 38 DIY Guide - Spitfire, Herald, GT6 & Vitesse (Haynes) RL1418 | |
| | 39 Triumph TR: Haynes Great Cars Series (Bill Piggott) RX1523 | |
| | 40 Spitfire Mk3, IV, 1500 Workshop Manual (Glovebox size) (Practical Classics reprint, 186 pages). RL1637 | |
| | 41 Collectors Guide (Spitfire & GT6) (Graham Robson) RL1417 | |
| | 42 How to Restore TR7 & 8 (Roger Williams). 176 Pages. RB7694 | |
| | - The Works Triumphs - 50 Years of Motorsport (Robson) 296 pages. RM8227 | |

* Please note: Certain books may be out of print and are shown for illustration purposes.

PAINTS - Aerosols & Touch-in Tins



GENERAL APPLICATION (Aerosol)

Black - High Gloss (400ml)	RX4070A
Black - Matt (500ml)	RX1266
Black - Satin (500ml)	RX1538
Silver (Suitable for Wheels) (450ml)	RX1265
Lacquer - Clear (Suitable for Wheels) (400ml)	RX1261

PRIMER (Aerosol)

White (150ml)	RX4048A
Red Oxide (150ml)	RX4049A
Grey (150ml)	RX4047A

ENGINE PAINT

Engine Paint (High Heat)	
Black (400ml) (Aerosol)	RX1432A
Aluminium (400ml) (Aerosol)	RX1432AL
Brush-on (125ml) (Tin)	RX1432B

CHASSIS PAINT

Chassis Paint (For general touch up)	
Black Brush-on (125ml)	RX4070B

VITESSE BODY PAINTS

COLOUR/TYPE	BL COLOUR CODE	AEROSOL	TOUCH-IN (BRUSH IN CAP)
BODY COLOURS			
White	19	RX4009A	RX4009B
Damson Red	27	RX4057A	RX4057B
Signal Red	32	RX4065A	RX4065B
Cherry Red	22	RX4056A	RX4056B
Sienna Brown	23	RX4053A	RX4053B
Saffron Yellow	54	RX4066A	RX4066B
Jasmine Yellow	34	RX4059A	RX4059B
Conifer Green	25	RX4071A	RX4071B
Laurel Green	55	RX4060A	RX4060B
Royal Blue	56	RX4063A	RX4063B
Wedgewood Blue	26	RX4064A	RX4064B
Valencia Blue	66	RX4072A	RX4072B

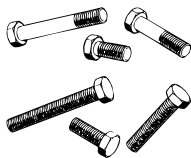
GENERAL HARDWARE & FIXINGS

Following is a listing of common fasteners. These fasteners are for general use and are not intended to replace those listed for specific applications elsewhere in this catalogue. Vitesse's were fitted almost exclusively with UNF/UNC hardware.

UNF/UNC were threaded forms introduced into the USA during the 1940s (World War II) to give stability and standardization to various industries (automotive in particular). It became standard in the British car industry in the 1950s. UNF stands for "Unified National Fine" and UNC "Unified National Coarse".

To aid identification by terminology, a screw is threaded for its full length. A bolt is only part threaded with a plain unthreaded shank area between the head and the thread. The part number two letter prefix of SH means that the item is a Screw with a Hexagon head. The prefix BH means a Bolt with a Hexagon head. The first number defines the thread type, UNF = 6, UNC = 5. The second and third numbers give the thread diameter in increments of 1/16", e.g. 04 = 1/4", 05 = 5/16", 10 = 5/8". The fourth and fifth digits show the length in increments of 1/8", e.g. 04 = 1/2", 16 = 2", 23 = 2 7/8". The last digit defines finish, 1 = zinc plated. This coding system is only applicable to bolts and screws; nuts and washers are coded by a similar system that follows some of the above principles.

BOLTS AND SCREWS



3/16" UNF (32tpi)		
BOLT	LENGTH	SCREW
-	3/8"	HU503
-	1/2"	HU504
-	5/8"	HU505
-	3/4"	HU506
-	7/8"	HU507
-	1"	HU508

1/4" UNF (28tpi)		
Hexagon Headed 3/4" A.F. Spanner Size		
BOLT	LENGTH	SCREW
-	3/8"	SH604031
-	1/2"	SH604041
-	5/8"	SH604051
-	3/4"	SH604061
-	7/8"	SH604071
BH604081	1"	SH604081
BH604091	1 1/8"	SH604091
BH604101	1 1/4"	SH604101
BH604111	1 3/8"	SH604111
BH604121	1 1/2"	SH604121
BH604141	1 3/4"	SH604141
BH604161	2"	SH604161
BH604181	2 1/4"	-
BH604201	2 1/2"	-
BH604241	3"	-

5/16" UNF (24tpi)		
Hexagon Headed 1/2" A.F. Spanner Size		
BOLT	LENGTH	SCREW
-	3/8"	SH605031
-	1/2"	SH605041
-	5/8"	SH605051
-	3/4"	SH605061
-	7/8"	SH605071
-	1"	SH605081
BH605091	1 1/8"	SH605091
BH605101	1 1/4"	SH605101
BH605111	1 3/8"	SH605111
BH605121	1 1/2"	SH605121
BH605141	1 3/4"	SH605141
BH605151	1 7/8"	SH605151
BH605161	2"	SH605161
BH605181	2 1/4"	SH605181
BH605201	2 1/2"	SH605201
BH605221	2 3/4"	SH605221
BH605241	3"	SH605241

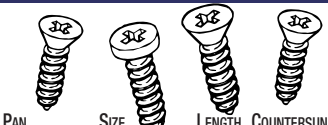
BOLT	LENGTH	SCREW
3/8" UNF (24tpi)		
Hexagon Headed 9/16" A.F. Spanner Size		
-	3/8"	SH606031
-	1/2"	SH606041
-	5/8"	SH606051
-	3/4"	SH606061
-	7/8"	SH606071
BH606081	1"	SH606081
BH606091	1 1/8"	SH606091
BH606101	1 1/4"	SH606101
BH606111	1 3/8"	SH606111
BH606121	1 1/2"	SH606121
BH606141	1 3/4"	SH606141
BH606161	2"	SH606161
BH606181	2 1/4"	SH606181
BH606201	2 1/2"	SH606201
BH606221	2 3/4"	-
BH606241	3"	-
BH606281	3 1/2"	-
BH606321	4"	-

7/16" UNF (20tpi)		
Hexagon Headed 5/8" A.F. Spanner Size		
BOLT	LENGTH	SCREW
-	5/8"	SH607051
-	3/4"	SH607061
-	7/8"	SH607071
-	1"	SH607081
-	1 1/8"	SH607091
-	1 1/4"	SH607101
-	1 3/8"	SH607111
BH607121	1 1/2"	SH607121
BH607141	1 3/4"	SH607141
BH607161	2"	SH607161
BH607181	2 1/4"	SH607181
BH607201	2 1/2"	-
BH607241	3"	-

1/2" UNF (20tpi)		
Hexagon Headed 3/4" A.F. Spanner Size		
BOLT	LENGTH	SCREW
-	1/2"	SH608041
-	5/8"	SH608051
-	1"	SH608081
-	1 1/2"	SH608121
BH608141	1 3/4"	SH608141
BH608161	2"	-
BH608181	2 1/4"	-
BH608201	2 1/2"	SH608201
BH608241	3"	-

BOLT	LENGTH	SCREW
1/4" UNC (20tpi)		
Hexagon Headed 7/16" A.F. Spanner Size		
-	3/8"	SH504031
-	1/2"	SH504041
-	5/8"	SH504051
-	3/4"	SH504061
-	7/8"	SH504071
-	1"	SH504081
BH504091	1 1/8"	SH504091
-	1 1/4"	SH504101
BH504111	1 3/8"	SH504111
BH504121	1 1/2"	SH504121
BH504141	1 3/4"	SH504141
BH504161	2"	-
BH504181	2 1/4"	SH504181
BH504201	2 1/2"	-
5/16" UNC (18tpi)		
Hexagon Headed 1/2" A.F. Spanner Size		
-	3/8"	SH505031
-	1/2"	SH505041
-	5/8"	SH505051
-	3/4"	SH505061
-	7/8"	SH505071
-	1"	SH505081
-	1 1/8"	SH505091
BH505101	1 1/4"	SH505101
BH505111	1 3/8"	SH505111
BH505121	1 1/2"	SH505121
BH505141	1 3/4"	SH505141
BH505161	2"	-
BH505181	2 1/4"	-
BH505201	2 1/2"	SH505201
BH505241	3"	-
3/8" UNC (16tpi)		
Hexagon Headed 9/16" A.F. Spanner Size		
-	1/2"	SH506041
-	3/4"	SH506061
-	7/8"	SH506071
BH506081	1"	SH506081
-	1 1/8"	SH506091
-	1 1/4"	SH506101
BH506111	1 3/8"	SH506111
BH506121	1 1/2"	SH506121
BH506141	1 3/4"	-
BH506161	2"	SH506161
BH506181	2 1/4"	-
BH506201	2 1/2"	-
BH506241	3"	SH506241

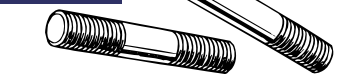
SELF TAPPING SCREWS



PAN HEADED	SIZE	LENGTH	COUNTERSUNK HEADED
AB604021	No. 4	1/4"	AC604021
AB606021	No. 6	1/4"	-
AB606031	No. 6	3/8"	-
AB606041	No. 6	1/2"	AC606041
AB606061	No. 6	3/4"	AC606061
AB606081	No. 6	1"	AC606081
AB608041	No. 8	1/2"	AC608041
AB608061	No. 8	3/4"	AC608061
AB608081	No. 8	1"	-
AB610041	No. 10	1/2"	AC610041
AB610061	No. 10	3/4"	AC610061
AB610081	No. 10	1"	AC610081
AB612041	No. 12	1/2"	AC612041
AB612061	No. 12	3/4"	-
AB612081	No. 12	1"	AC612081
AB614061	No. 14	3/4"	AC614061
AB614081	No. 14	1"	AC614081

B = Pan Head
C = Countersunk Head
1st digit = thread type (coarse or fine)
2nd/3rd digit = diameter
4th/5th = length in 1/8" increments
6th = finish (1 = zinc plated)

STUDS



A stud is a length of round bar, threaded at both ends. The length of the thread at each end of the stud may vary for specific applications. The following list is of studs have fine (UNF) thread form at both ends.

PART NUMBER	DIAMETER	OVERALL LENGTH
TE604081	1/4"	1"
TE604091	1/4"	1 1/8"
TE604101	1/4"	1 1/4"
TE605101	5/16"	1 1/4"
TE605111	5/16"	1 3/8"
TE605121	5/16"	1 1/2"
TE605131	5/16"	1 5/8"
TE605141	5/16"	1 3/4"
TE605151	5/16"	1 7/8"
TE605181	5/16"	2 1/4"
TE605201	5/16"	2 1/2"
TE605221	5/16"	2 3/4"
TE605251	5/16"	3 1/8"
TE605291	5/16"	3 5/8"
TE606101	3/8"	1 1/4"
TE606111	3/8"	1 3/8"
TE606121	3/8"	1 1/2"
TE606141	3/8"	1 3/4"
TE606151	3/8"	1 7/8"

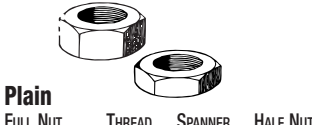
The following list is of studs have fine (UNF) thread form at one end and course (UNC) at the other.

TE504081	1/4"	1"
TE504131	1/4"	1 5/8"
TE505091	5/16"	1 1/8"
TE505111	5/16"	1 3/8"
TE505121	5/16"	1 1/2"
TE505131	5/16"	1 5/8"
TE505141	5/16"	1 3/4"
TE505151	5/16"	1 7/8"
TE505161	5/16"	2"
TE505181	5/16"	2 1/4"
TE505201	5/16"	2 1/2"
TE505221	5/16"	2 3/4"
TE505241	5/16"	3"
TE505261	5/16"	3 1/4"
TE505271	5/16"	3 3/8"
TE505281	5/16"	3 1/2"
TE505341	5/16"	4 1/4"
TE506101	3/8"	1 5/16"
TE506131	3/8"	1 5/8"
TE506141	3/8"	1 3/4"
TE506161	3/8"	2"
TE506201	3/8"	2 1/2"
TE506361	3/8"	3 1/2"

The following list is of studs have course (UNC) thread form at both ends.

101442	3/8"	1 5/8"
58688	3/8"	1 11/16"
115696	3/8"	1 13/16"
58917	3/8"	1 15/16"
102474	3/8"	2 1/16"
107055	3/8"	2 3/8"

NUTS



Plain

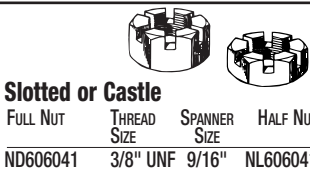
FULL NUT	THREAD SIZE	SPANNER SIZE	HALF NUT
HN2003	No. 6 UNF	5/16"	-
HN2005	3/16" UNF	3/8"	-
GHF206	3/16" UNF	5/16"	-
GHF200	1/4" UNF	7/16"	NT604041
GHF201	5/16" UNF	1/2"	NT605041
GHF202	3/8" UNF	9/16"	NT606041
GHF203	7/16" UNF	5/8"	NT607041
GHF204	1/2" UNF	3/4"	NT608041
NH609041	9/16" UNF	7/8"	NT609041
NH610041	5/8" UNF	15/16"	NT610041
GHF207	1/4" UNC	7/16"	NT504041
GHF208	5/16" UNC	1/2"	NT505041
GHF209	3/8" UNC	9/16"	NT506041

Nyloc Self Locking

GHF220	3/16" UNF	5/16"	-
GHF221	1/4" UNF	7/16"	GHF271
GHF222	5/16" UNF	1/2"	GHF272
GHF223	3/8" UNF	9/16"	GHF273
GHF224	7/16" UNF	5/8"	GHF274
GHF225	1/2" UNF	3/4"	GHF275
YN2912	9/16" UNF	7/8"	TN3212
GHF226	5/8" UNF	15/16"	GHF276

Self Locking, Aero or all metal, Philidas

GHF241	1/4" UNF	7/16"	-
GHF242	5/16" UNF	1/2"	-
GHF243	3/8" UNF	9/16"	-
GHF244	7/16" UNF	5/8"	-
GHF245	1/2" UNF	3/4"	-



Slotted or Castle

FULL NUT	THREAD SIZE	SPANNER SIZE	HALF NUT
ND606041	3/8" UNF	9/16"	NL606041
ND607041	7/16" UNF	5/8"	NL607041
ND608041	1/2" UNF	3/4"	NL608041
ND609041	9/16" UNF	7/8"	NL609041
ND610041	5/8" UNF	15/16"	NL610041

Plain Brass - Manifold

FULL NUT	THREAD SIZE	SPANNER SIZE
GHF261	5/16" UNF	1/2"
GHF262	3/8" UNF	9/16"
GHF270	5/16" UNC	1/2"
GHF269	3/8" UNC	9/16"

Spring/Spire Nut

FLAT TYPE	SCREW SIZE	'U' TYPE
GHF700	No. 6	GHF711
GHF701	No. 8	GHF712
GHF702	No. 10	GHF713
GHF703	No. 12	GHF714
GHF704	No. 14	-


Captive Nuts

Captive nuts consist of a square nut and cage which we can supply individually as required for your car. Always match nut and cage A/F sizes.

PART NUMBER	DESCRIPTION	THREAD SIZE
NQ2707	Nut, 7/16" AF	1/4"
NQ2708	Nut, 5/8" AF	5/16"
CN4	Nut, fits CN3 cage	1/4"
CN5	Nut, 1/2" AF	5/16"

PART NUMBER	DESCRIPTION	SPANNER (AF) SIZE
CN2	Cage, square	7/16"
CN3	Cage, oblong	7/16"
600032	Cage, square	1/2"

WASHERS



Shakeproof Washers

INTERNAL STAR	HOLE SIZE	EXTERNAL STAR
WF704061	No. 6	WE704061
GHF320	3/16"	WE702101
GHF321	1/4"	WE600041
GHF322	5/16"	WE600051
GHF323	3/8"	WE600061
GHF324	7/16"	WE600071
GHF325	1/2"	WE600081
WF600091	9/16"	WE600091
GHF326	5/8"	WE600101

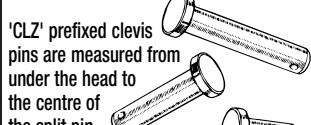
Locking Washers, Spring Type

SINGLE COIL	HOLE SIZE	DOUBLE COIL
WL700061	No. 6	-
WL700081	No. 8	-
WL700101	3/16"	AJD7721
GHF331	1/4"	AJD7722
GHF332	5/16"	AJD7731
GHF333	3/8"	AJD7742
GHF334	7/16"	-
GHF335	1/2"	-
GHF336	5/8"	-

Sealing Washers

FIBRE WASHER	HOLE SIZE	COPPER WASHER
WF505	3/16"	-
GHF342	1/4"	GHF361
GHF343	5/16"	GHF362
GHF344	3/8"	GHF363
GHF345	7/16"	GHF364
GHF346	1/2"	GHF365
GHF347	9/16"	-
GHF348	5/8"	-

CLEVIS PINS

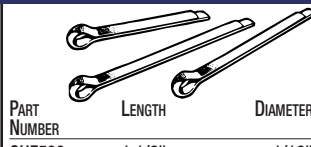


'CLZ' prefixed clevis pins are measured from under the head to the centre of the split pin hole.

'PJ' prefixed clevis pins are measured from under the head to the end.


PART NUMBER	LENGTH	DIAMETER
108326	1/2"	1/8"
PJ8504	3/8"	3/16"
CLZ307	7/16"	3/16"
CLZ308	1/2"	3/16"
CLZ309	9/16"	3/16"
CLZ310	5/8"	3/16"
CLZ311	11/16"	3/16"
CLZ312	3/4"	3/16"
CLZ313	13/16"	3/16"
CLZ314	7/8"	3/16"
CLZ315	15/16"	3/16"
CLZ316	1"	3/16"
CLZ317	1 1/16"	3/16"
-	3/8"	1/4"
-	7/16"	1/4"
CLZ408	1/2"	1/4"
CLZ409	9/16"	1/4"
CLZ410	5/8"	1/4"
CLZ411	11/16"	1/4"
CLZ412	3/4"	1/4"
CLZ413	13/16"	1/4"
CLZ414	7/8"	1/4"
CLZ415	15/16"	1/4"
CLZ416	1"	1/4"
CLZ417	1 1/16"	1/4"
CLZ427	1 11/16"	1/4"
-	1/2"	5/16"
-	9/16"	5/16"
CLZ510	5/8"	5/16"
CLZ511	11/16"	5/16"
CLZ512	3/4"	5/16"
CLZ513	13/16"	5/16"
CLZ514	7/8"	5/16"
CLZ515	15/16"	5/16"
CLZ516	1"	5/16"
CLZ517	1 1/16"	5/16"
CLZ518	1 1/8"	5/16"

SPLIT PINS



PART NUMBER	LENGTH	DIAMETER
GHF500	1 1/2"	1/16"
GHF501	1 1/2"	5/64"
GHF502	1 1/2"	3/32"
GHF503	2 1/4"	7/64"
GHF504	2 1/4"	1/8"
GHF505	2 1/4"	9/64"
GHF506	2 1/4"	3/32"
GHF513	3"	3/16"

DOWELS



PART NUMBER	DIAMETER	OVERALL LENGTH
DP204	1/8"	1/4"
DP205	1/8"	5/16"
DP306	3/16"	3/8"
DP407	1/4"	7/16"
DP408	1/4"	1/2"
DP410	1/4"	5/8"
DP411	1/4"	11/16"
DP414	1/4"	7/8"
DP508	5/16"	1/2"
DP514	5/16"	7/8"
DP608	3/8"	1/2"
DP610	3/8"	5/8"
DP610	3/8"	1 3/16"

PIPES, HARDWARE & FITTINGS



Brake & Fuel Pipe

Supplied in 25 footrolls.

PART NUMBER	MATERIAL	SIZE
MPKF125	CUPRO-NICKEL	3/16" Dia.
MPKF225	CUPRO-NICKEL	1/4" Dia.
MPKF325	CUPRO-NICKEL	5/16" Dia.
EF125	STEEL	3/16" Dia.
EF225	STEEL	1/4" Dia.
EF325	STEEL	5/16" Dia.

Pipe Nuts - Male, Steel.



PART NUMBER	THREAD SIZE	PIPE BORE
TM606031	3/8" UNF	3/16"
TM110051	10mm x 1mm	3/16"
LK21994	3/8" BSF	3/16"
BCA4370	7/16" UNF	3/16"
BHA4706	7/16" UNF	1/4"
AUSU40A	1/2" UNF	5/16"

Pipe Nuts - Male, Brass.



PART NUMBER	THREAD SIZE	PIPE BORE
AEHU1	3/8" UNF	3/16"
AEHU2	10mm x 1mm	3/16"
AEHU3	3/8" BSF	3/16"
AEHU7	7/16" UNF	1/4"

Pipe Nuts - Female, Steel.



PART NUMBER	THREAD SIZE	PIPE BORE
TN606031	3/8" UNF	3/16"
SU2A	10mm x 1mm	3/16"
SU4A	7/16" UNF	1/4"
HU41A	1/2" UNF	5/16"

Pipe Nuts - Female, Brass.



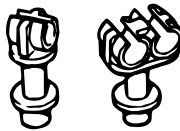
PART NUMBER	THREAD SIZE	PIPE BORE
AEHU1A	3/8" UNF	3/16"
AEHU2A	10mm x 1mm	3/16"
AEHU4A	7/16" UNF	1/4"

Bleed Screws

PART NUMBER	THREAD SIZE
556508A	3/8" UNF
608400A	10mm metric
27H7166	3/8" BSF

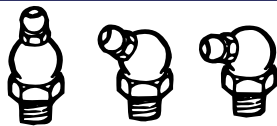


Pipe Clips



PART NUMBER	CAPACITY
GHF1191	SINGLE, 3/16"
GHF1192	SINGLE, 1/4"
624155	DOUBLE, 3/16"

GREASE NIPPLES



PART NUMBER	THREAD SIZE	ANGLE
UHN400	1/8" BSP	straight, short
UHN445	1/8" BSP	45° angle
LN30041	1/8" BSP	90° angle
144825	1/8" BSP	straight, long
56935	1/4" BSP	straight
125361	1/4" BSP	45° angle
56934	1/4" BSP	90° angle

POP RIVETS



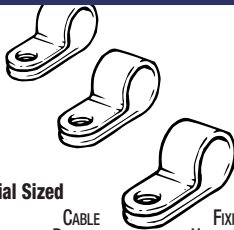
Open End Type

PART NUMBER	SIZE
RA607096	2.9mm x 5mm
RA608126	1/8" x 3/16"
RA608176	1/8" x 1/4"
RA608236	1/8" x 5/16"
RA608253	1/8" x 3/8"

Closed End Type

RUG08123	1/8" x 3/8"
RUG08313	1/8" x 1/2"
RUG12123	3/16" x 5/16"

'P' CLIPS



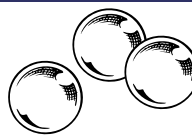
Imperial Sized

PART NUMBER	CABLE DIAMETER	FIXING HOLE SIZE
PCR207	1/8"	7/32"
PCR307	3/16"	7/32"
PCR309	3/16"	9/32"
PCR311	3/16"	11/32"
PCR407	1/4"	7/32"
PCR409	1/4"	9/32"
PCR411	1/4"	11/32"
PCR507	5/16"	7/32"
PCR509	5/16"	9/32"
PCR511	5/16"	11/32"
PCR607	3/8"	7/32"
PCR609	3/8"	9/32"
PCR611	3/8"	11/32"
PCR707	7/16"	7/32"
PCR709	7/16"	9/32"
PCR711	7/16"	11/32"
PCR807	1/2"	7/32"
PCR809	1/2"	9/32"
PCR811	1/2"	11/32"
PCR813	1/2"	13/32"
PCR1007	5/8"	7/32"
PCR1009	5/8"	9/32"
PCR1011	5/8"	11/32"
PCR1207	3/4"	7/32"
PCR1209	3/4"	9/32"
PCR1211	3/4"	11/32"
PCR1407	7/8"	7/32"
PCR1409	7/8"	9/32"
PCR1411	7/8"	11/32"
PCR1607	1"	7/32"

Metric Sized

PART NUMBER	CABLE DIAMETER	FIXING HOLE SIZE
CP105081	8mm	5mm
CP108101	10mm	8mm
CP108121	12mm	8mm
CP106161	16mm	6mm
CP108165	16mm	8mm

STEEL BALLS



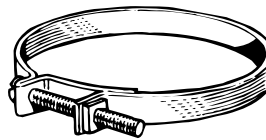
PART NUMBER	DIAMETER
BLS106	3/16"
BLS108	1/4"
BLS110	5/16"
BLS112	3/8"
BLS28	7/16"

CABLE TIES



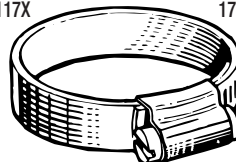
PART NUMBER	DIAMETER
GHF1265	3 1/2"
GHF1266	5 1/4"
RTC222A	6"
GHF1267	8 3/4"
GHF1268	11"

HOSE CLIPS



Petrol Pipe Clips ('Enots' type)

PART NUMBER	TO SUIT DIAMETER
GGT1108X	8mm
GGT1109X	9mm
GGT1110X	10mm
GGT1111X	11mm
GGT1112X	12mm
GGT1113X	13mm
GGT1114X	14mm
GGT1115X	15mm
GGT1116X	16mm
GGT1117X	17mm



Hose Clips ('Jubilee' type)

Mild Steel

Imperial Sized

PART NUMBER	TO SUIT DIAMETER
GHC304	3/8" - 1/2"
GHC405	7/16" - 5/8"
GHC406	1/2" - 3/4"
GHC507	5/8" - 7/8"
GHC608	3/4" - 1"
GHC709	5/8" - 1 1/8"
GHC811	1" - 1 3/8"
GHC913	1 1/8" - 1 5/8"
GHC1015	1 3/8" - 2"
GHC1217	1 1/2" - 2 1/4"
GHC1622	2" - 2 3/4"
GHC2228	2 3/4" - 3 1/2"
GHC2632	3 1/4" - 4"
GHC3036	3 3/4" - 4 1/2"
GHC3340	4 1/8" - 5"

Stainless Steel

Metric Sized

PART NUMBER	TO SUIT DIAMETER
GHC10408	8 - 12 mm
GHC10410	12 - 18 mm
GHC10411	8 - 16 mm
GHC10412	12 - 20 mm
GHC10413	16 - 25 mm
GHC10414	20 - 32 mm
GHC10415	25 - 40 mm
GHC10416	32 - 50 mm
GHC10417	46 - 60 mm
GHC10418	50 - 70 mm
GHC10419	60 - 80 mm
GHC10420	70 - 90 mm
GHC10421	80 - 100 mm

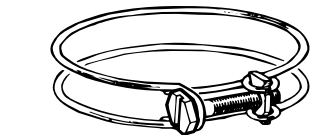
Garage Packs:

Multi-pack assortment. Approx 3kg.

To include:-

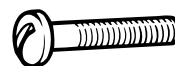
Setscrews/nuts/nylocs/washers **RX1560**

Bolts/nuts/nylocs/washers **RX1561**



Hose Clips ('Supergrip' type)

PART NUMBER	TO SUIT DIAMETERS
CS4009	7/16" - 9/16"
CS4011	1/2" - 11/16"
CS4012	9/16" - 3/4"
CS4013	5/8" - 13/16"
CS4014	11/16" - 7/8"
CS4016	3/4" - 1"
CS4017	13/16" - 1 1/16"
CS4018	7/8" - 1 1/8"
CS4020	1" - 1 1/4"
CS4022	1 1/8" - 1 3/8"
CS4023	1 1/4" - 1 7/16"
CS4024	1 5/16" - 1 1/2"
CS4025	1 3/8" - 1 9/16"
CS4026	1 7/16" - 1 5/8"
CS4028	1 9/16" - 1 3/4"
CS4029	1 5/8" - 1 13/16"
CS4030	1 11/16" - 1 7/8"
CS4032	1 7/8" - 2"
CS4034	1 15/16" - 2 1/8"
CS4036	2 1/16" - 2 1/4"
CS4037	2 1/8" - 2 5/16"
CS4038	2 3/16" - 2 7/16"
CS4039	2 1/4" - 2 7/16"
CS4040	2 5/16" - 2 1/2"
CS4041	2 3/8" - 2 9/16"
CS4042	2 7/16" - 2 5/8"
CS4048	2 13/16" - 3"
CS4052	3 1/16" - 3 1/4"
CS4064	3 13/16" - 4"



Original "Supergrip" hose clips were supplied with a with single slotted round-head screw. The modern replacement comes with a hex-headed screw.

For the authentic look we have resourced the original type screw, (sold separately) **CS4099** (round-head screw).



Description Page No

A

Accelerator cable 8, 17
 Adjuster (Rear brakes) 36
 Air cleaner/filters 17, 18
 Alternator conversion 63
 Anti-freeze 71
 Anti-roll bar (*Front suspension*) 28
 Autoglym products 72
 Axle (Differential) 25

B

Badges (Body) 50
 Badges (Miscellaneous);
 Road wheels 34
 Steering Wheels 39
 Ball joint (*Front suspension*) 29
 Battery 43
 Battery cables 43
 Battery charger 43, 63
 Battery conditioner 43, 63
 Belt (Fan) 7, 10, 15
 Belt (Seat) 53, 54, 58, 62
 Big end bearings (Con-rod) 10
 Body paint/codes 77
 Bolts - General 77-79
 Bonnet & fittings 45
 Bonnet Locks 45
 Bottle (Windscreen washer) 40
 Books 74-76
 Boot floor panel 46
 Boot lid & fittings 48
 Boot rack 66
 Boot trim 57
 Brake adjuster (Rear brakes) 36
 Brake calipers 35
 Brake (wheel) cylinders 36
 Brake cleaner 69
 Brake discs 35
 Brake drum 36
 Brake fluid 37
 Brake hoses 36, 37
 Brake master cylinder 37
 Brake pads 35
 Brake pipe kit 37
 Brake servo 37
 Brake shoes 36
 Breather hoses (Engine) 18
 Bulbs 41-42
 Bumpers & fittings 49
 Bush kits 27

C

Cables:
 Accelerator 8, 17
 Battery 43
 Choke cable 8, 17
 Handbrake 37
 Heater 16
 Speedometer 42
 Caliper (Brakes) 35
 Camshaft 10
 Car covers 70
 Cap:
 Fuel 18
 Oil filler 12
 Radiator (Pressure) 16
 Carburettors 17
 Carpets 56
 CD rom 74
 Chain (Timing) 10
 Chassis frame/plates 44
 Choke cable 8, 17
 Clips, hose 16, 79
 Clutch 14
 Clutch fluid 14
 Clutch master cylinder 14
 Clutch operating lever 21
 Clutch slave cylinder 14

Description Page No

Coil (Ignition) 40
 Coil springs 30, 33
 Column (Steering) 38
 Commission/serial numbers 8
 Condenser 7, 40
 Con rod 10
 Con rod bearings (Big end) 10
 Consumables (General) 69
 Contact breaker points 7, 40
 Cooling fan 15
 Core plugs 9
 Countershaft (Gearbox) 21
 Covers/cowls (*Steering colum*) 38
 Covers:
 Car covers 70
 Rocker cover 12
 Seat trim/covers 53, 54
 Timing cover 10
 Crankshaft 10
 Crankshaft bearings 10
 Crankshaft oil seal 8, 11
 Crankshaft pulley 10
 Crankshaft sprocket 10
 Crownwheel & pinion 25
 Cylinder block 9
 Cylinder head 11
 Cylinder head rebuild kit 13
 Cylinder liner 9
 Cylinder head gasket/sets 11

D

Decals & Badges 50
 Dis-car-nect 43
 Disc (Brake) 35
 Differential 25
 Dipstick (Engine) 9
 Distributor 40
 Door & fittings 47
 Door mirror 48
 Door seals 52
 Door trim panels 52
 Drive shafts & rear hub 25, 26
 Driving lamps 63
 Drum brake (rear) 36
 Dynamo 40



E

Electronic ignition 40
 Engine Breather 18
 Engine Build Kits 13
 Engine mounting 14
 Engine oils 71
 Exhaust system & fittings:
 Standard 19
 Sports 20
 Exhaust valve 12
 Exhaust wrap 60



Description Page No



F

Fan (Cooling) 15
 Fan belt 7, 10, 15
 Filter:
 Air filter/Cleaners 17, 18
 Oil filter 7, 9
 Finnegans waxoyl 72
 Flasher stalk 43
 Flasher Unit (Indicators) 43
 Floor panels/sections 46
 Floor mats 56
 Flywheel 10
 Fog lights (front & rear) 63
 Front coil springs 30, 33
 Front brakes 35
 Front hub oil seals 29
 Front hub 29
 Front side/flasher lamp 41
 Front wing 45
 Fuel additive (unleaded) 71
 Fuel cap 18
 Fuel gauge 42
 Fuel pipe kit 18
 Fuel pump 18
 Fuel tank/sender 18

G

Gaiter (Steering rack) 38
 Gaskets (Engine) 7
 Gauges & Instruments 42
 Gaz 33
 Gearbox 21
 Gearbox mounting 14
 Gearbox tunnel 24
 Gear knob 22
 Gear oil 71
 General Fastners 77-79
Bolts, setscrews, washers.
 Glass:
 Door drop glass 47
 Windscreen 45

H

H.T. leads (*Ignition/plug leads*) 40
 Headlamps 63
 Handbrake cable 37
 Handbooks 75
 Harness (Wiring) 43
 Hardware/fasteners 77-79
 Head build kit 13
 Head gaskets 7, 11
 Headlamp stone guards 63
 Headlamps 41
 Headlamp dip/flash stalk 42
 Headlining 55
 Heater hoses 16
 Heater unit 16
 Hinges (Bonnet) 45
 Hinges (Doors) 47
 Hood care products 69
 Hood cover 58
 Hood stowage covers 58
 Horns 43

Description Page No

Hoses:
 Brake hoses -
 Front 35, 37
 Rear 36, 37
 Breather (Engine) 18
 Heater hoses 16
 Radiator hoses 16
 Hose clips (General) 16, 79
 Hub bearings:
 Front 29
 Rear 25, 26
 Hub oil seals:
 Front 8, 29
 Rear 25, 26
 Hub puller 26
 Hydraulics:
 Brakes 37
 Clutch 14

I

Ignition coil 7, 40
 Ignition leads (*HT/Plug leads*) 40
 Ignition/steering column lock 38
 Ignition switch 42
 Indicator stalk 42
 Inlet manifold & fittings 17
 Inlet valve 12
 Instruments & Gauges 42
 Interior lighting 41
 Interior mirror 57

J

Jack (Car lift) 34, 69
 Jet (Windscreen washer) 40

K

K&N Air filter 17, 59
 Kenlowe Electric cooling fan 15, 63
 Key fob 67
 Knuckle/Joint (*Steering*) 38
 Koni 33

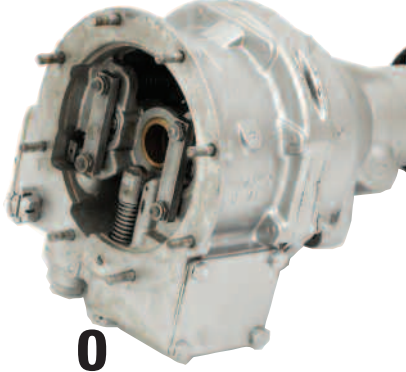
L

Lamp:
 Headlamp 41, 63
 Fog lights 41, 63
 Front side/flasher 41
 Interior/boot 41
 Number plate 41
 Rear 41
 Stop, tail, flasher & reverse.

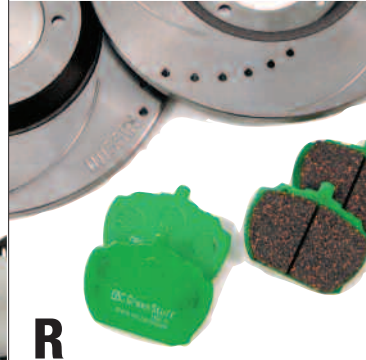
Lenses: *See Lamp.*
 Lever arm (damper) - rear 32
 Lighting: *See Lamp.*
 Light switches 42
 Link (*Vertical*):
 Front suspension 29
 Rear suspension 31, 32
 Locks & fittings:
 Bonnet 45
 Boot lid 48
 Door locks 47
 Looms (Wiring harness) Main 43
 Lubricants & fluids 71
 Lumenition 63



Description	Page No
M	
Main bearings (Crankshaft)	10
Mainshaft	23
Manifolds:	
<i>See in this index;</i>	
<i>Exhaust Manifolds & Fittings, and</i>	
<i>Inlet Manifold & Fittings.</i>	
Manuals (Workshop)	74
Master cylinder:	
<i>See in this index;</i>	
<i>Brake master cylinder, and,</i>	
<i>Clutch master cylinder.</i>	
Mats	56, 65
Mirrors	48, 57
Models - cars	66
Mouldings (Body)	49
Mountings:	
Differential	25
Engine	14
Anti-Roll bar	28
Gearbox	14
Mudflaps (front/rear)	34, 62
N	
Nacelle's	38
<i>Covers/cowls (Steering column).</i>	
Knock caps (wire wheels)	34
Number plates	67
Number plate lamp	41
Nuts - General	77-79
Nuts - Road wheel	34
O	
Oil cooler (Engine)	13, 15, 59
Oil feed kit (rocker)	9
Oil filler cap	12
Oil filter	7, 9
Oil filter - spin on conversion	13, 59
Oils (Lubricants)	71
Oil pan (Sump)	9
Oil pressure gauge kit	13, 59
Oil pressure relief valve	9
Oil pressure switch	9
Oil pump (Engine)	9
Oil seals:	
Crankshaft	8, 11
Front hub	8, 29
Gear box	8, 21
Differential	8, 25
Rear hub	8, 26
Overdrive	24
Overmats (Interior)	56, 65



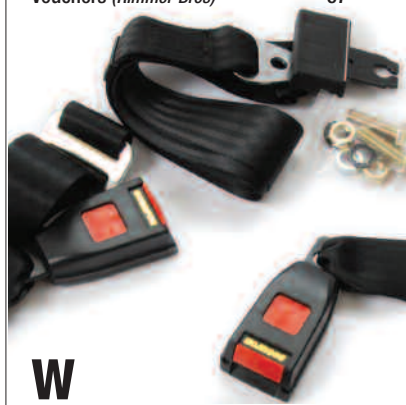
Description	Page No
P	
Pads (brake)	35
Paint	77
Parts books (BL)	75
Pedal brake	36
Pedal rubber: <i>See; Pedal.</i>	
Petrol <i>See; Fuel</i>	
Pipes:	
Clutch pipe	14
Brake pipes	37
Fuel pipes	18
Pistons & rings (Engine)	10
Plugs (Spark)	7, 40
Plug leads (Ignition/HT leads)	7, 40
Points (Ignition/contact)	7, 40
Polish	72
Pressure cap (Cooling)	16
Propshaft	24
Pulley:	
<i>See in this index;</i>	
<i>Crankshaft pulley and Water pump pulley.</i>	
Pump:	
<i>See in this index;</i>	
<i>Oil Pump (Engine) and Water Pump.</i>	
R	
Rack & pinion:	
<i>See in this index; Steering rack.</i>	
Radiator & hoses	16
Radius arm (Rear suspension)	32
Rear axle	25
Rear brakes:	
<i>See in this index; Brakes.</i>	
Rear hub bearings	25, 26
Rear hub oil seals	25, 26
Rear lamps & fittings	41
Rear (Road) spring	31, 32
Rear wing	46
Reference books	74-76
Relay	43
Rev counter	42
Rings (Piston/Engine)	10
Ring gear (Flywheel)	10
Road springs:	
Front (Coil)	30, 33
Rear (Leaf)	31, 32
Road wheels	34
Rocker cover	12
Rocker oil feed kit	59
Rotoflex	32
Rotor arm (Ignition)	7, 40
Rubber (Body) seals	8
Rubber (Pedals)	36



Description	Page No
S	
Screen washer system	40
Screws - general	77-79
Seals (Body/rubber)	8, 45-49
Seals (Oil):	
Crankshaft	8, 11
Front hub	29
Rear hub	25, 26
Seat trim/covers	53, 54
Seat belts	53, 54, 58, 62
Security (Vehicle)	64
Serial/commission numbers	8
Service kits	7
Servo brakes	37
Setscrews - general	77-79
Shock absorber <i>Standard & Upgraded;</i>	
Front	30, 33
Rear	31, 32, 33
Shoes, rear brake	36
Side/flasher lights	41
Silencer, exhaust	19, 20
Silicone brake fluid	37
Sills	46
Slave cylinder (Clutch)	14
Solenoid (Starter motor)	40
Spark plugs	40
Spax	33
Speedometer & cable	42
Speedometer drive pinion	22
Split pins - general	77-79
Spinners (wire wheels)	34
Springs (Road):	
Front (Coil)	30, 33
Rear (Leaf)	31, 32
Spockets:	
Camshaft	10
Crankshaft	10
Starter motor	40
Rear hub bearings	38
Steering column	38
Steering knuckle/joint	38
Steering rack	38
Steering Wheel	39
Stop/tail light (Rear lamps)	41
Striker plate (Doors)	47
Stub axle (Front hub)	29
Sump (Oil pan)	9
Suspension Packs (Upgraded)	33
Switches	42
T	
Tail lights (Rear lamps)	41
Tank, fuel	18
Tappets (Camshaft followers)	10
Temperature gauge	42
Temperature transmitter	15
Thermostat:	
Cooling system	15
Oil cooler (Engine)	13, 15, 59
Timing chain	10
Timing cover & oil seal	10
Tonneau cover	58
Tools	69
Track rod ends	38
Transfers	68
Tread 'Kick' plates (Sill)	65
Trim kits	51
Trim Panels:	
Boot trim panels	57
Door trim panels	52
Trunnion - front	30
Tubular exhaust manifold	20
Tunnel - gearbox cover	24



Description	Page No
U	
Underfelt kit (Carpets)	56
Universal joint:	
Driveshaft	25, 26
Propshaft	24
Steering knuckle	38
V	
Vacuum/pipe (distributor)	40
Valves (Inlet & Exhaust)	12
Valve guides (Inlet & Exhaust)	12
Vertical link:	
Front suspension	29
Rear suspension	31, 32
Vehicle security	64
Video's	74
VIN/serial commission no.	8
Vouchers (Rimmer Bros)	67
W	
Warning triangle	72
Washers - general	77-79
Water pump	15
Water valve (heater)	16
Waxoyl (Finnegans)	72
Wheel Arches - Front (Inner & outer)	45
Wheel Arches (Rear)	46
Wheel (Hub) bearings:	
Front	29
Rear	25, 26
Wheels - Road	34
Wheels - Steering	39
Wheel (Brake) cylinders	36
Wheel nuts	34
Wind deflector	58, 66
Window (Door) seals	52
Window regulator/handle	52
Windscreen (Glass)	45
Windscreen washer system	40
Wing (Body):	
Front	45
Rear	46
Wiper system	40
Wire wheels	34
Wiring harness	43
Wishbone (suspension):	
Front	29, 30
Rear	32
Workshop consumables & materials	69
Workshop manual	74



ACKNOWLEDGEMENTS
 We would like to thank the many car owners who allowed us to take photographs of their cars at different locations. The British Motor Industry Heritage Trust (BMIHT) at Gaydon for allowing us to reproduce photography from their vast libraries. Also to magiccarpics.co.uk for certain images from their web site.
 And the team at Rimmer Bros for putting this catalogue together and for making it all happen.

THE PARTS YOU NEED

TR4 TR4A 1965-1967
TR5 TR5A 1967-1969

**TR4
TR4A
TR5
TR5A**

PARTS & ACCESSORIES CATALOGUE

46 PAGES

THE PARTS YOU NEED

Triumph

TR6

1969 - 1976

PARTS & ACCESSORIES CATALOGUE

210 PAGES

ALL THE PARTS YOU NEED

Triumph

**TR7
TR8**

TR7 18V SPRINT

PARTS & ACCESSORIES CATALOGUE

210 PAGES

ALL THE PARTS YOU NEED

Triumph

STAG

1965-1966 1970-1976

PARTS & ACCESSORIES CATALOGUE

170 PAGES

THE PARTS YOU NEED

Triumph

**DOLOMITE
& SPRINT**

1963-1966 1967-1969

PARTS & ACCESSORIES CATALOGUE

64 PAGES

ALL THE PARTS YOU NEED

Triumph

SPITFIRE

MK1, MK2, MK3, MK4 & 1990

PARTS & ACCESSORIES CATALOGUE

194 PAGES

THE PARTS YOU NEED

Triumph

GT6

1963, 1964 & 1965

PARTS & ACCESSORIES CATALOGUE

76 PAGES

THE PARTS YOU NEED

Triumph

**2000
2500
2.5Pi**

PARTS & ACCESSORIES CATALOGUE

56 PAGES

ALL THE PARTS YOU NEED

Triumph

Herald

PARTS & ACCESSORIES CATALOGUE

82 PAGES

ALL THE PARTS YOU NEED

Triumph

Vitesse

1960 & 1970

PARTS & ACCESSORIES CATALOGUE

82 PAGES

THE PARTS YOU NEED

Triumph

SD1

PARTS & ACCESSORIES CATALOGUE

90 PAGES

THE PARTS YOU NEED

Triumph

TR2/3/3A

PARTS LISTING

76 PAGES

ALL THE PARTS YOU NEED

Triumph

RANGE ROVER

CLASSIC 1970-1985

PARTS & ACCESSORIES CATALOGUE

106 PAGES

ALL THE PARTS YOU NEED

Triumph

RANGE ROVER

FOR RANGE ROVER 1989-2002

PARTS & ACCESSORIES CATALOGUE

72 PAGES

ALL THE PARTS YOU NEED

Triumph

RANGE ROVER

SERIES 3 2002-2006

Td6 Diesel, 4.2 & 4.4 Petrol

PARTS & ACCESSORIES CATALOGUE

72 PAGES

ALL THE PARTS YOU NEED

Triumph

DISCOVERY

1989-1998

PARTS & ACCESSORIES CATALOGUE

90 PAGES

ALL THE PARTS YOU NEED

Triumph

DISCOVERY

SERIES 2 1998-2004

PARTS & ACCESSORIES CATALOGUE

68 PAGES

ALL THE PARTS YOU NEED

Triumph

**90/110
DEFENDER**

PARTS & ACCESSORIES CATALOGUE

108 PAGES

ALL THE PARTS YOU NEED

Triumph

FREELANDER

1997-2004

PARTS & ACCESSORIES CATALOGUE

32 PAGES

ALL THE PARTS YOU NEED

Triumph

FREELANDER

2000-2006

3 & 4 Door, T44 Diesel & V6 Petrol

PARTS & ACCESSORIES CATALOGUE

32 PAGES

THE PARTS YOU NEED

Triumph

ROVER

**V8
ENGINES**

PARTS & ACCESSORIES CATALOGUE

44 PAGES

Triumph

Parts & Accessories Catalogue & Price Guide

Authorised MG Rover Parts Distributor

MG

DISCOUNTED PRICES Retail & Trade

Original MG Rover Parts Aftermarket Parts

Tel: 01522 563344

www.rimmerbros.co.uk

OUR CATALOGUES

ARE YOUR PASSPORT TO THE FINEST MAIL-ORDER PARTS SERVICE

RIMMER BROS CATALOGUES

If you are a Triumph, SD1, MG Rover, Range Rover, Freelander, Defender or Discovery owner - a catalogue will be despatched FREE including post & packing. Small postage charge made for additional catalogues. FOR YOUR COPY, PHONE, FAX, WRITE OR E-MAIL.

FULL SET OF CATALOGUES (POSTAGE CHARGES)
£10 (UK) £15 (Europe) £35 (Rest of World)

Once registered as a customer for a specific vehicle you will be automatically updated (free of charge) with any new catalogue or price guides as they are published.

CATALOGUE CD
BROWSE OUR CATALOGUES ON YOUR PC!
SEE PRICE GUIDE FOR DETAILS.





ALL PARTS ARE GUARANTEED

"It's our objective to ensure the satisfaction of every one of our customers."

Please refer to our Price Guide for warranty information.



HOW TO FIND US

We are 2 miles south of Lincoln on the A15 Lincoln to Sleaford road. When approaching Lincoln from the A1/A46, follow the A1434 signposted to city centre, through North Hykeham, then pick up signs for the A15 to Sleaford. Set your Sat Nav LN4 2NA.

BUSINESS HOURS

8.30am - 5.30pm Monday to Friday and 8.30am - 1pm on Saturday. We are closed Sunday and on all Bank Holidays except Good Friday.



A BRITISH COMPANY SUPPORTING BRITISH CARS

Rimmer Bros Ltd. Triumph House, Sleaford Road, Bracebridge Heath, Lincoln LN4 2NA, England.

Telephone: 01522 568000

Fax: 01522 567600. E-mail: sales@rimmerbros.co.uk

www.rimmerbros.co.uk

LAND ROVER
 RANGE ROVER · DEFENDER
 DISCOVERY · FREELANDER
AUTHORISED PARTS DISTRIBUTOR
Original Parts & Accessories



MG ROVER
 MG ROVER
 MG ROVER
 MG ROVER
AUTHORISED PARTS DISTRIBUTOR
Original Parts & Accessories